



US00D771385S

(12) **United States Design Patent**
Morszeck

(10) **Patent No.:** **US D771,385 S**

(45) **Date of Patent:** **** *Nov. 15, 2016**

(54) **LAPTOP BAG PART**

(71) Applicant: **RIMOWA GmbH**, Cologne (DE)

(72) Inventor: **Dieter Morszeck**, Cologne (DE)

(73) Assignee: **RIMOWA GmbH**, Cologne (DE)

(*) Notice: This patent is subject to a terminal disclaimer.

(**) Term: **14 Years**

(21) Appl. No.: **29/499,151**

(22) Filed: **Aug. 12, 2014**

(30) **Foreign Application Priority Data**

Feb. 12, 2014 (EP) 001405278-0001

(51) **LOC (10) Cl.** **03-01**

(52) **U.S. Cl.**
USPC **D3/318**

(58) **Field of Classification Search**

USPC D3/218, 215, 201, 294, 289, 900, 318;
D14/432, 440, 454, 402; 428/40.1;
200/302.1

CPC .. G06F 1/1601; G06F 1/1626; G06F 1/1633;
G06F 1/1675; G06F 1/1679; G02F 1/1306;
G02F 1/133; G02F 1/133308; G02F 1/153;
G02F 1/1533; G02F 2001/133317; H04M
1/185; H04M 1/0252; H04B 1/3888; A45C
1/06; A45C 3/08

See application file for complete search history.

(56) **References Cited**

U.S. PATENT DOCUMENTS

2,256,637 A * 9/1941 Anderson H01R 4/183
439/877

2,958,810 A * 11/1960 Balf G01R 11/04
200/51.1

5,224,013 A * 6/1993 Pagliuca H01T 4/06
337/32

6,059,140 A * 5/2000 Hicks B65D 81/3879
220/6

D429,640 S * 8/2000 Nielsen D9/435

D598,919 S * 8/2009 Takemasa D14/432

D624,051 S * 9/2010 Shimizu D14/217

D643,409 S * 8/2011 Shimizu D14/217

D677,468 S * 3/2013 Kvols D3/318

D721,373 S * 1/2015 Logereau D14/432

D723,036 S * 2/2015 Longo D14/411

D727,917 S * 4/2015 Yeo D14/440

D737,824 S * 9/2015 Jagadish D14/432

* cited by examiner

Primary Examiner — Cynthia Underwood

(74) *Attorney, Agent, or Firm* — Maier & Maier, PLLC

(57) **CLAIM**

The ornamental design for a laptop bag part, as shown and described.

DESCRIPTION

FIG. 1 is a front perspective view of a laptop bag part;

FIG. 2 is a front view thereof;

FIG. 3 is a rear view thereof;

FIG. 4 is a top view thereof;

FIG. 5 is a bottom view thereof;

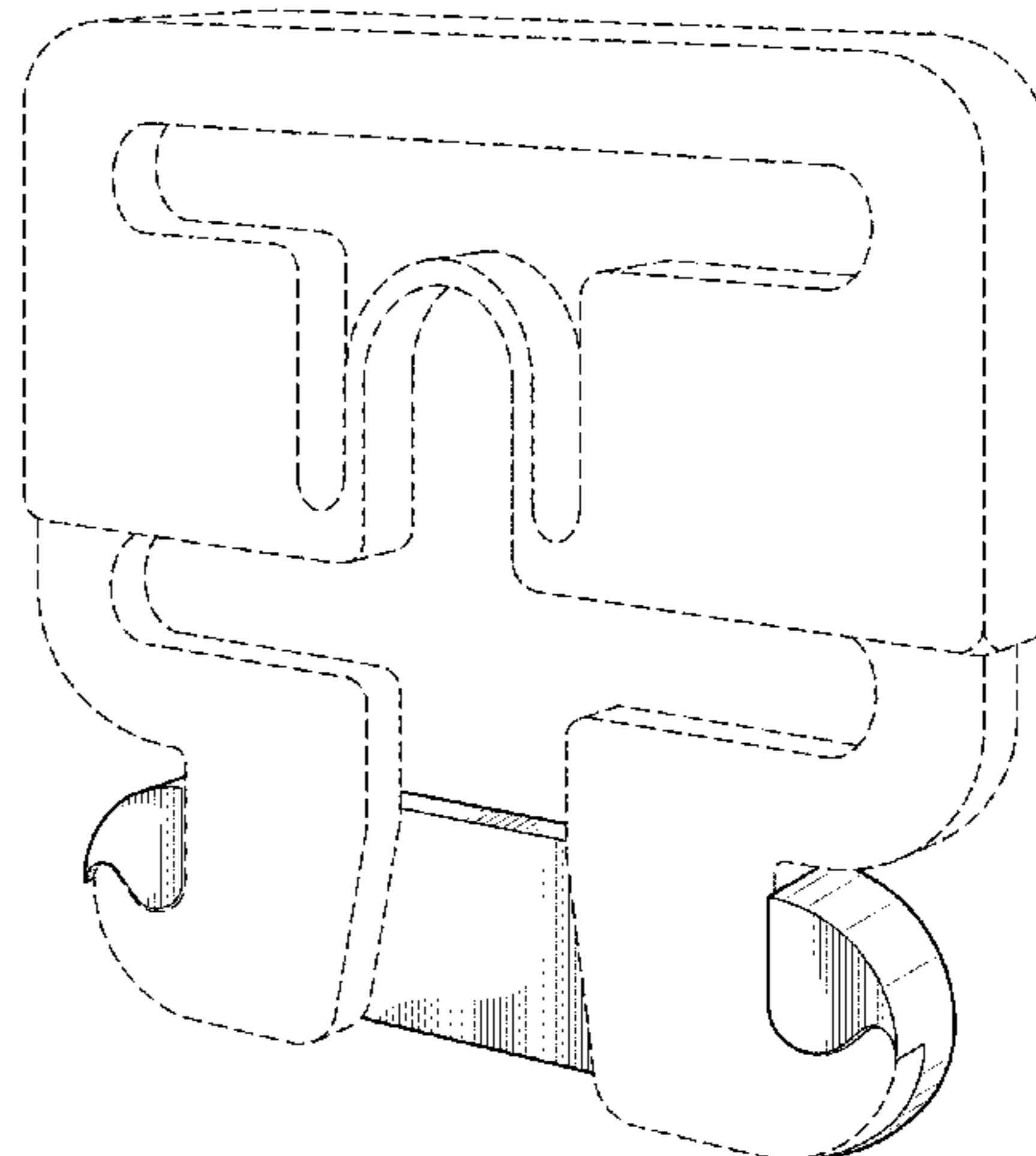
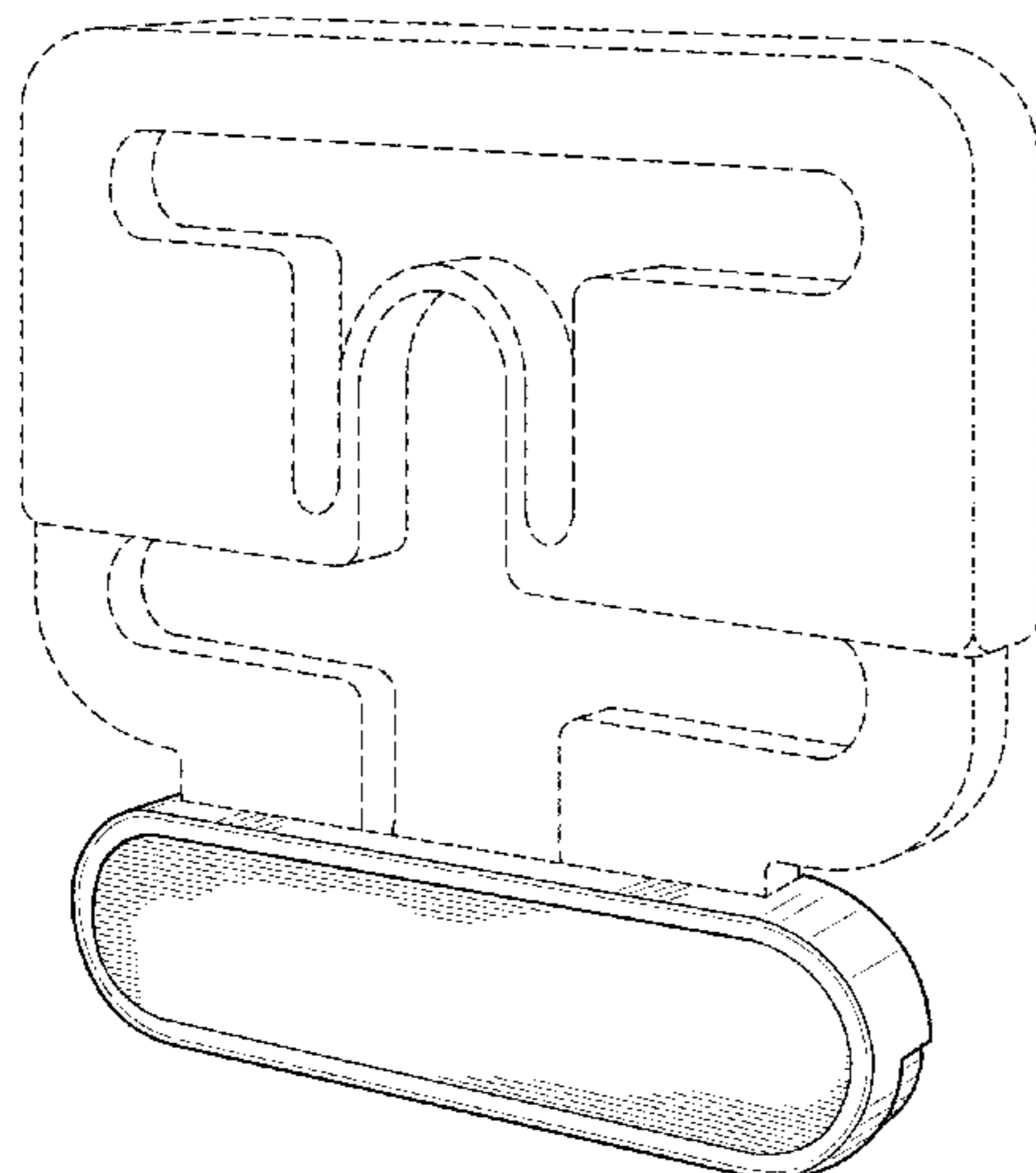
FIG. 6 is a right side view thereof;

FIG. 7 is a left side view thereof; and,

FIG. 8 is a rear perspective view thereof.

The broken line showing of parts of the drawings depict environmental subject matter and form no part of the claim.

1 Claim, 6 Drawing Sheets



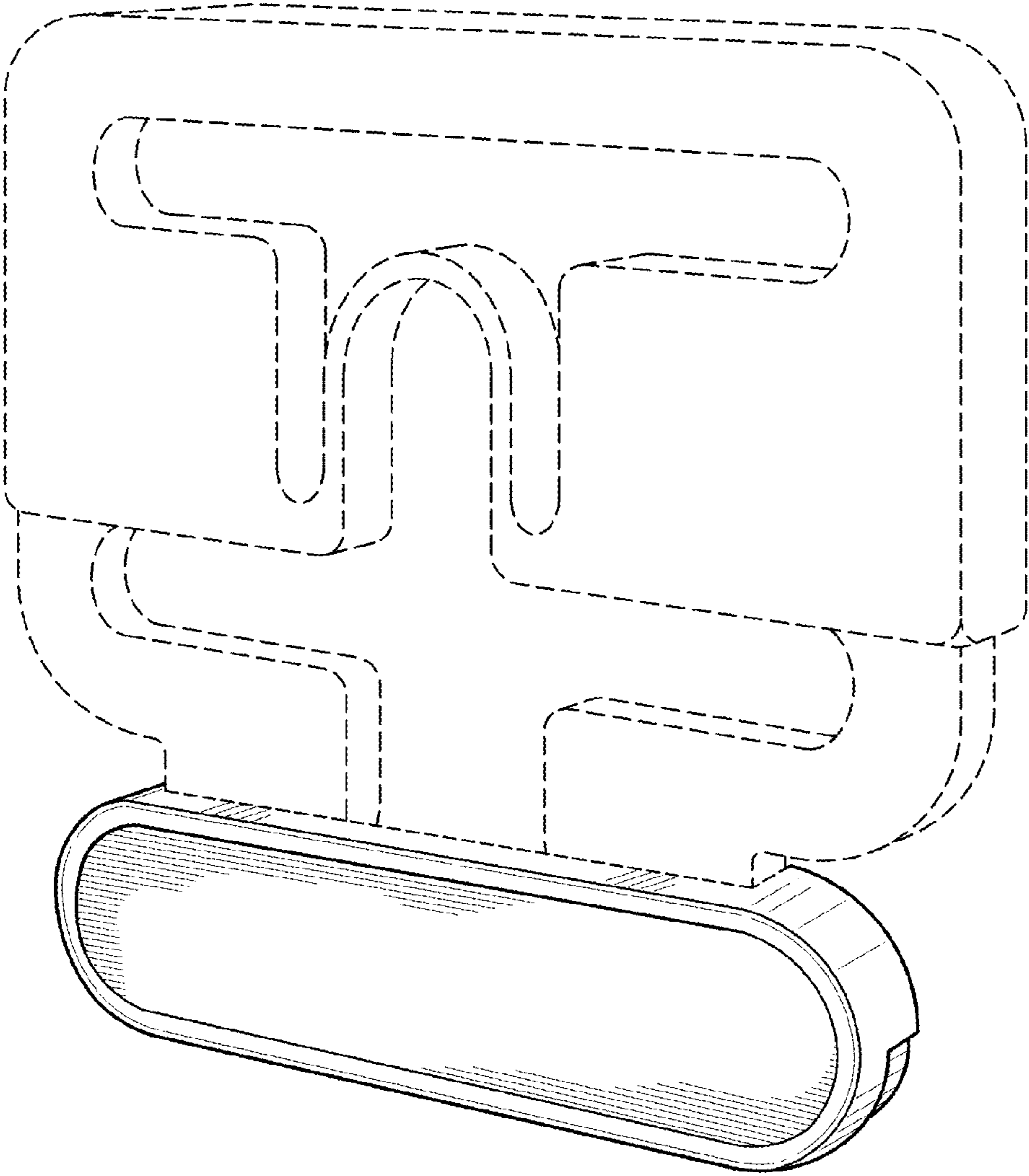


FIG. 1

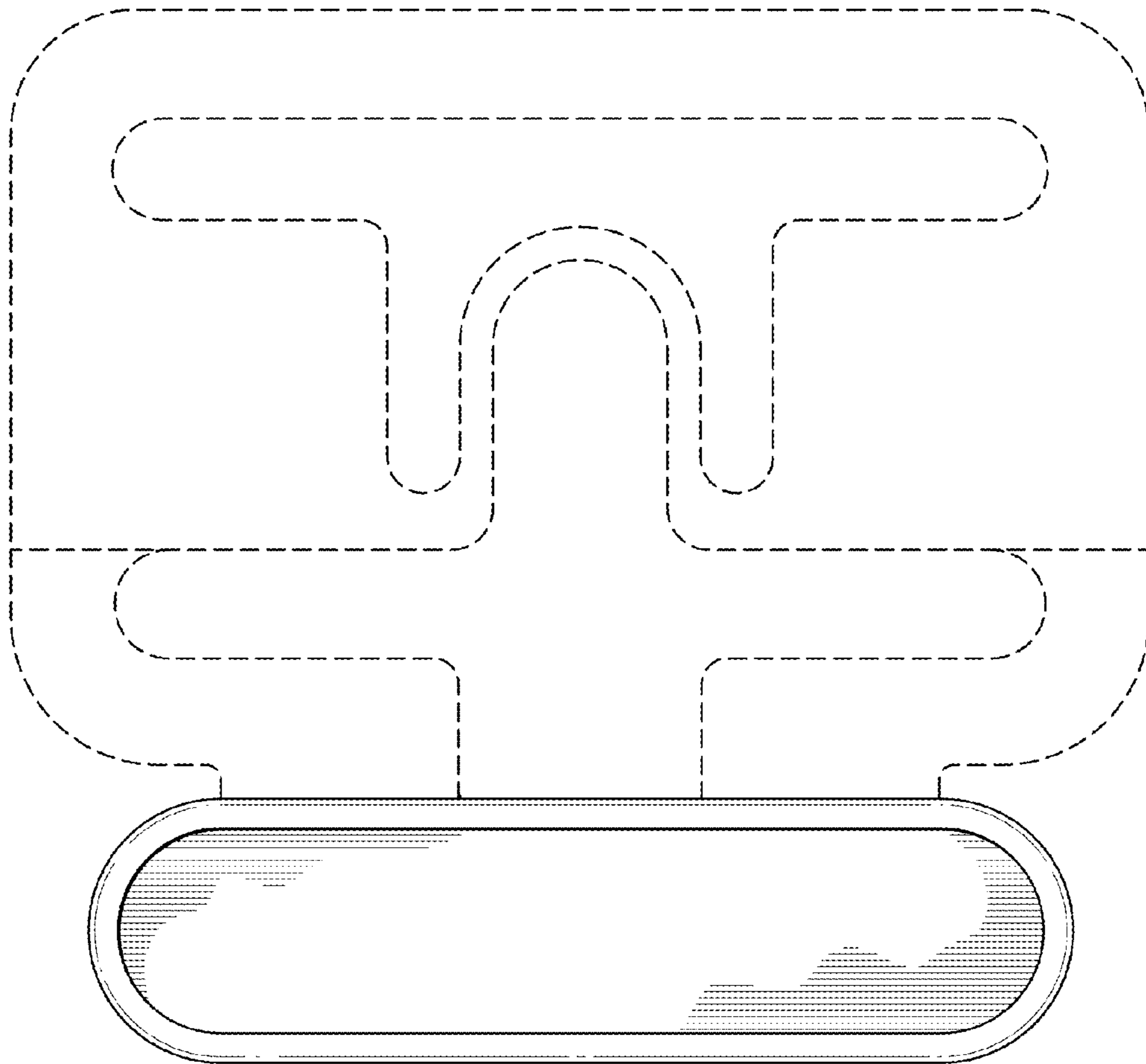


FIG. 2

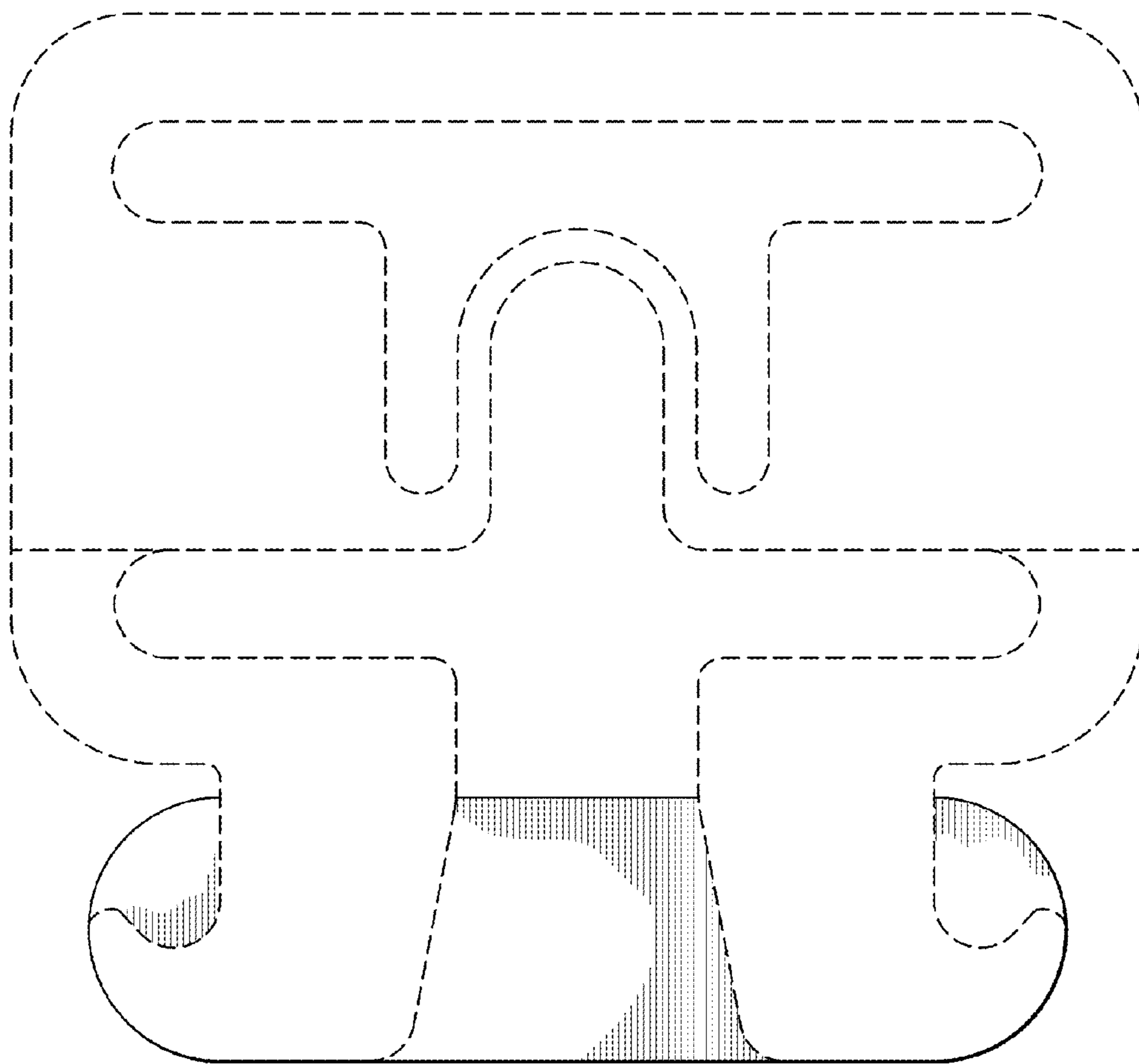


FIG. 3

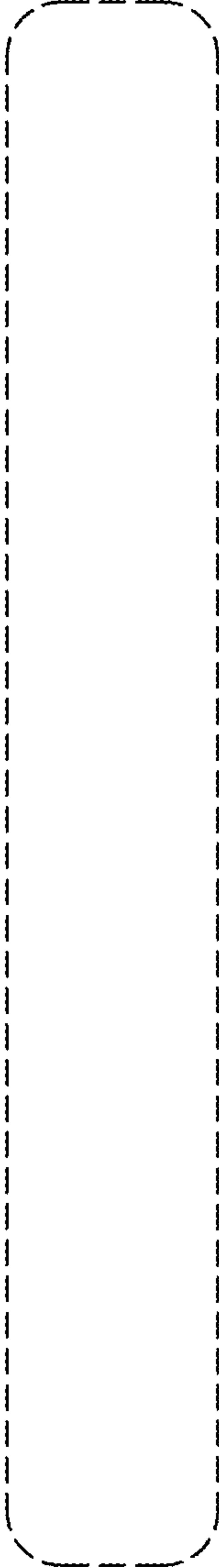


FIG. 4

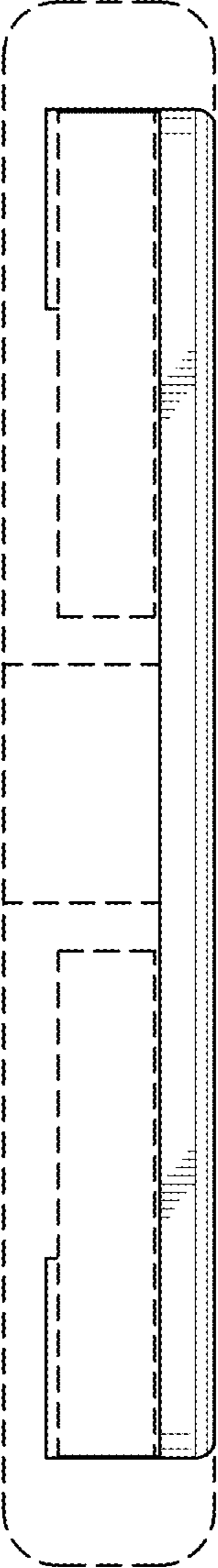


FIG. 5

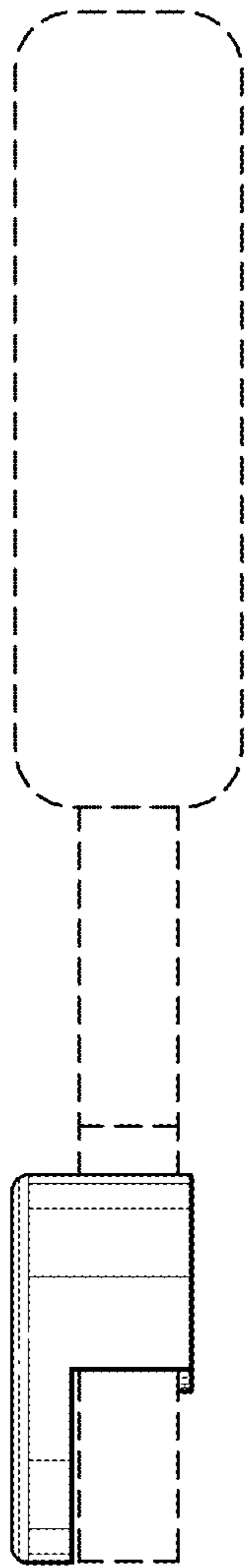


FIG. 6

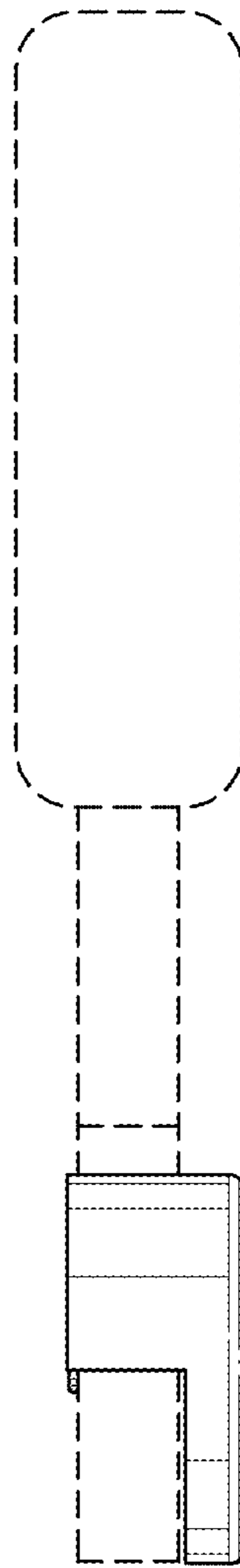


FIG. 7

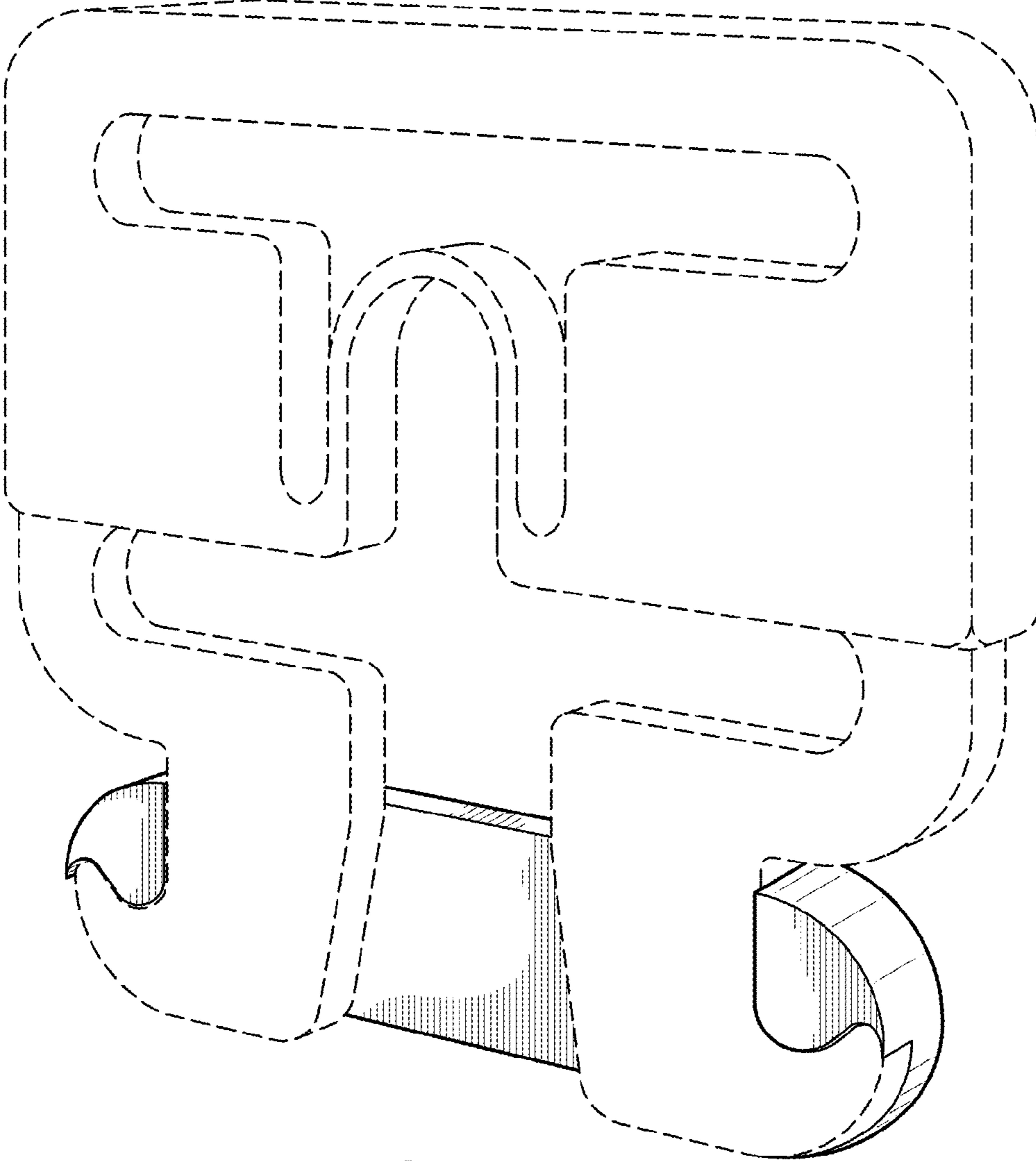


FIG. 8