



US00D771384S

(12) **United States Design Patent** (10) **Patent No.:** **US D771,384 S**  
**Aldredge et al.** (45) **Date of Patent:** **\*\* Nov. 15, 2016**

- (54) **TOOL TRAY FOR A SAW HORSE**
- (71) Applicants: **Robert L. Aldredge**, Englewood, OH (US); **Daniel J Schaefer**, Huber Heights, OH (US)
- (72) Inventors: **Robert L. Aldredge**, Englewood, OH (US); **Daniel J Schaefer**, Huber Heights, OH (US)

D403,566 S *	1/1999	Marsh	.....	D3/313
D405,611 S *	2/1999	Hawkins	.....	D3/313
D481,282 S *	10/2003	Kitchen	.....	D3/318
D499,881 S *	12/2004	Williams	.....	D3/20
D519,303 S *	4/2006	Winig	.....	D6/682.2
D602,256 S *	10/2009	Johnson	.....	D3/304
D646,796 S *	10/2011	Walter	.....	D24/227
D728,941 S *	5/2015	Stoeckmann	.....	D3/313
2007/0181761 A1	8/2007	Astor		

\* cited by examiner

- (\*\*) Term: **15 Years**
- (21) Appl. No.: **29/564,002**
- (22) Filed: **May 10, 2016**

*Primary Examiner* — Kelley Donnelly  
(74) *Attorney, Agent, or Firm* — Donald J. Ersler

**Related U.S. Application Data**

- (63) Continuation-in-part of application No. 14/990,027, filed on Jan. 7, 2016.
- (51) **LOC (10) Cl.** ..... **03-01**
- (52) **U.S. Cl.**  
USPC ..... **D3/313**
- (58) **Field of Classification Search**  
USPC ..... D6/553, 567-572, 574, 552, 701;  
D3/304, 313-314, 315  
CPC ..... A47B 23/00; A47B 23/02; A47B 23/04;  
A47K 3/004  
See application file for complete search history.

(57) **CLAIM**

The ornamental design for a tool tray for a saw horse, as shown and described.

**DESCRIPTION**

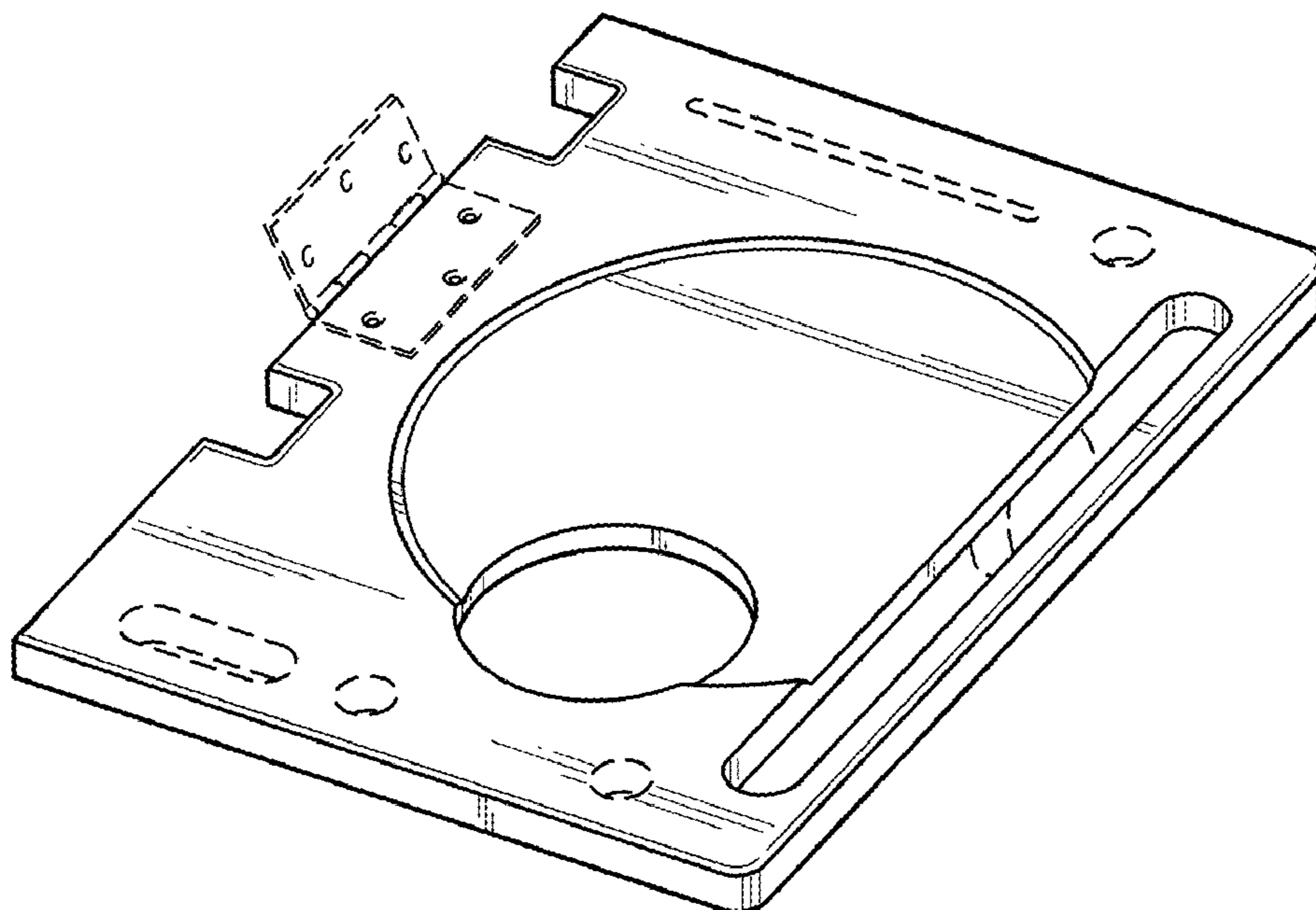
FIG. 1 is a perspective view of a tool tray for a saw horse incorporating our new design;  
FIG. 2 is a top plan view of a tool tray for a saw horse;  
FIG. 3 is a front view of a tool tray for a saw horse;  
FIG. 4 is a bottom plan view of a tool tray for a saw horse;  
FIG. 5 is a rear view of a tool tray for a saw horse;  
FIG. 6 is a left side view a tool tray for a saw horse attached to a leg of the saw horse; and,  
FIG. 7 is a right side view a tool tray for a saw horse attached to a leg of the saw horse.  
The broken lines shown in the drawings illustrate portions of the tool tray for a saw horse that forms no part of the claimed invention.

(56) **References Cited**

**U.S. PATENT DOCUMENTS**

D298,056 S *	10/1988	Auerbach	.....	D25/67
D393,543 S *	4/1998	Wilkening	.....	D3/313

**1 Claim, 4 Drawing Sheets**



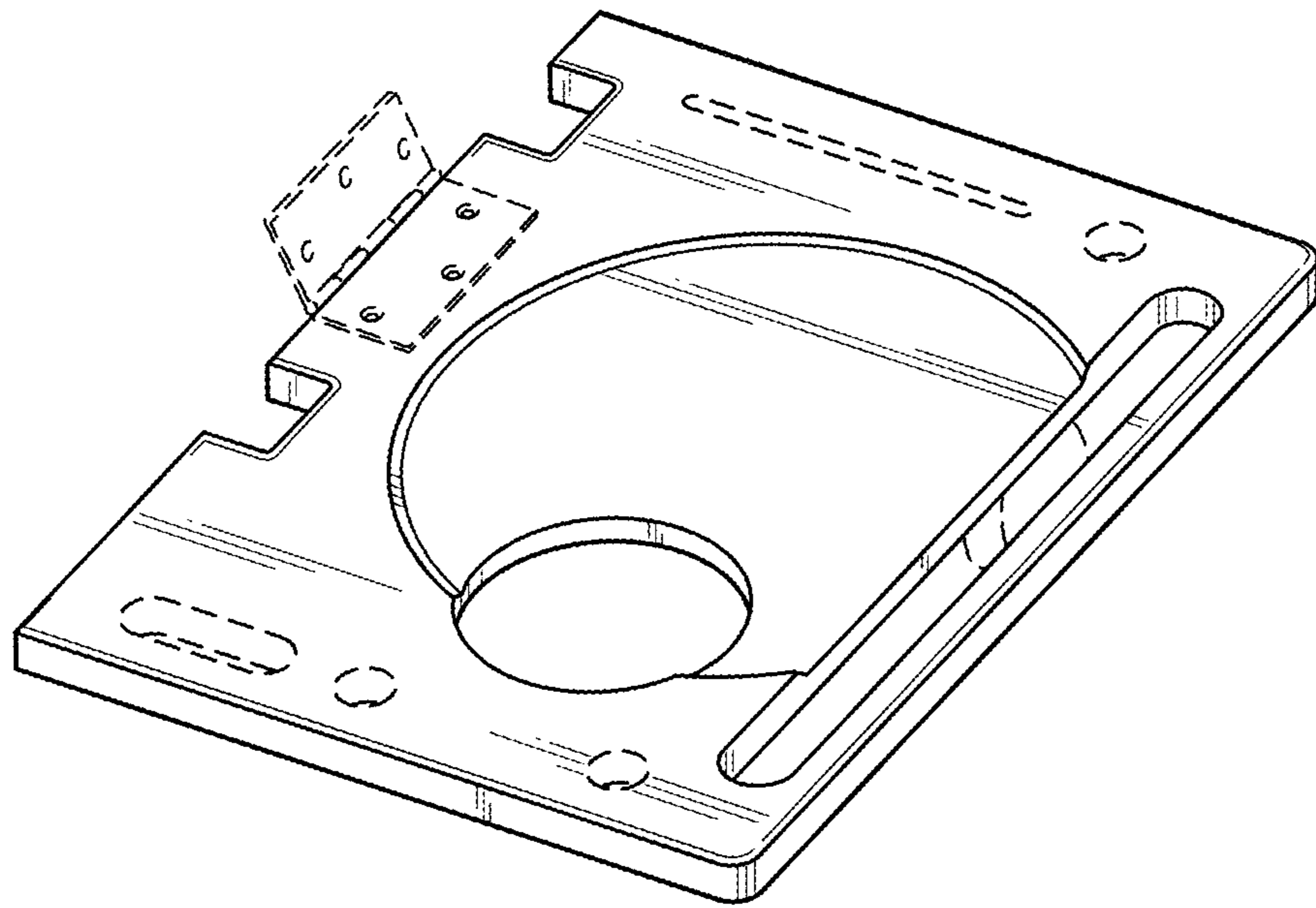


FIG. 1

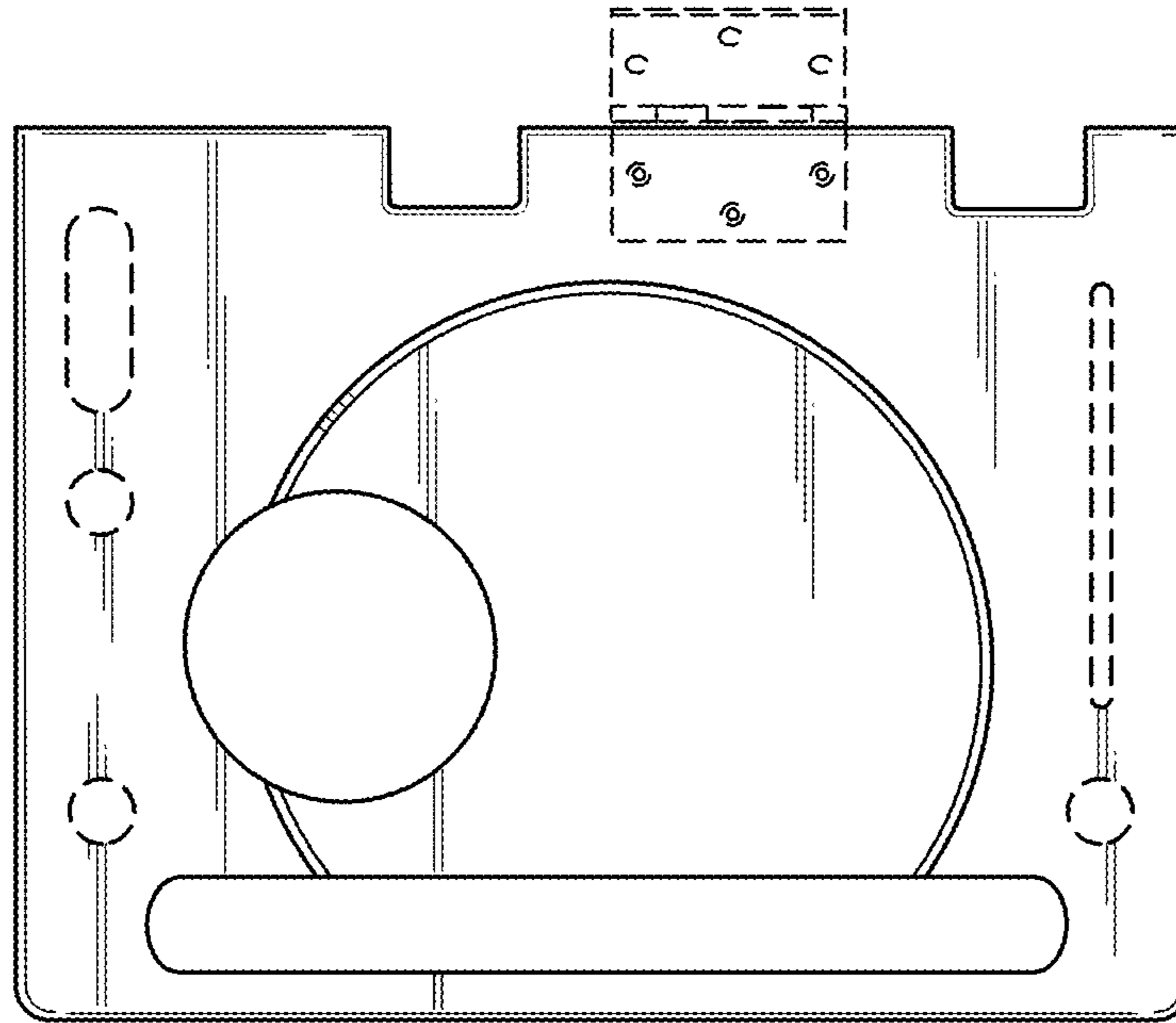


FIG. 2

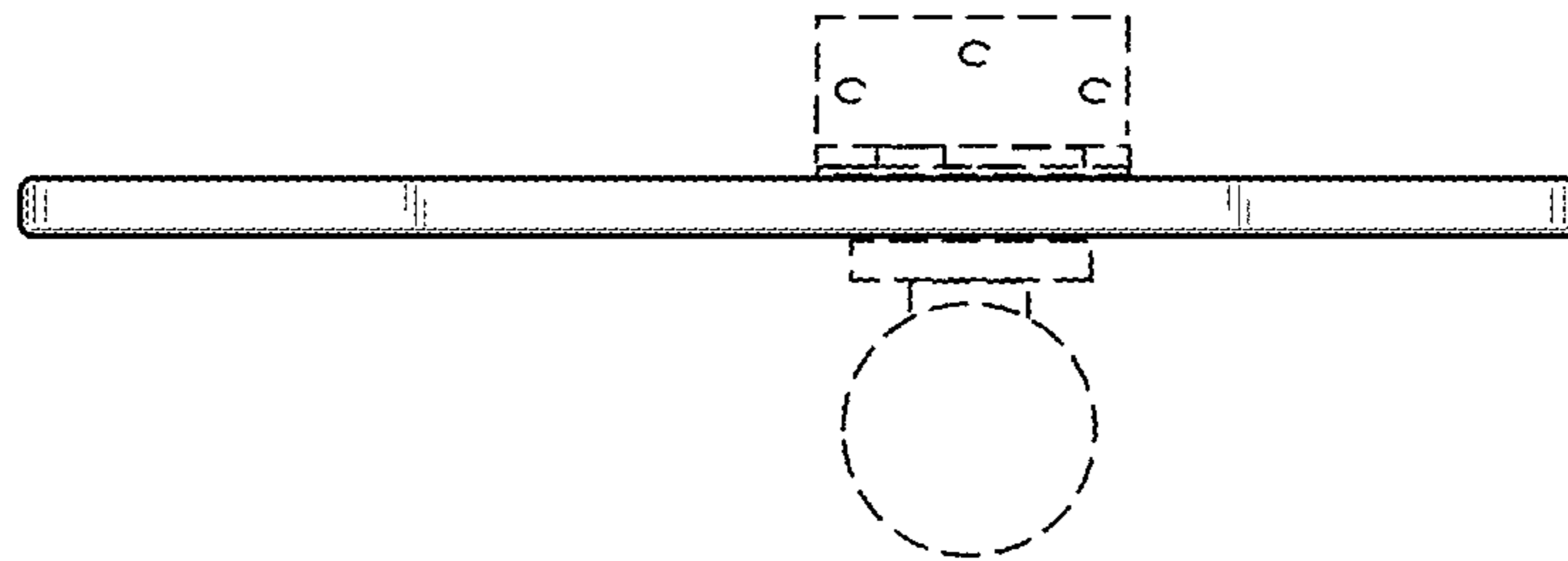
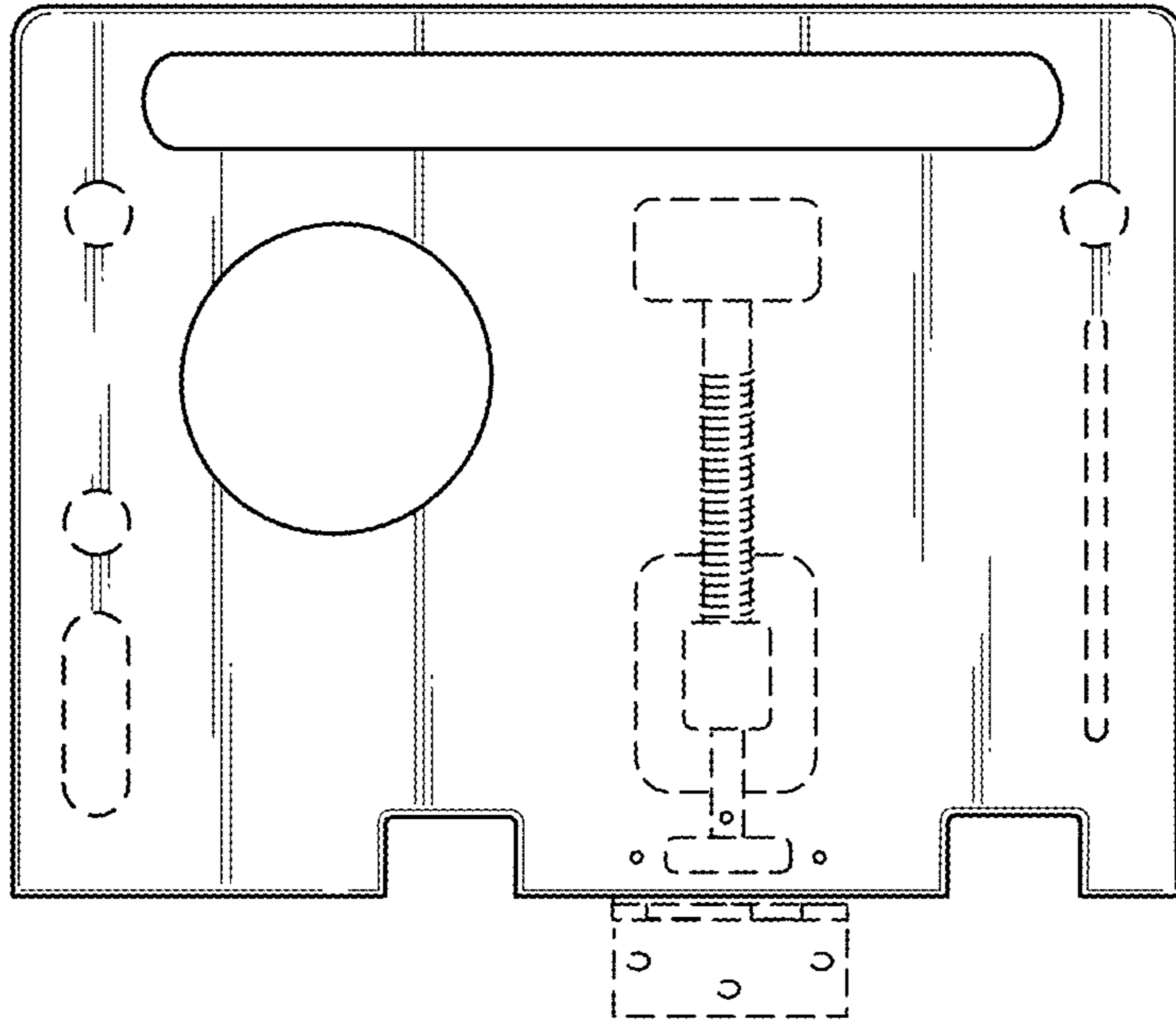
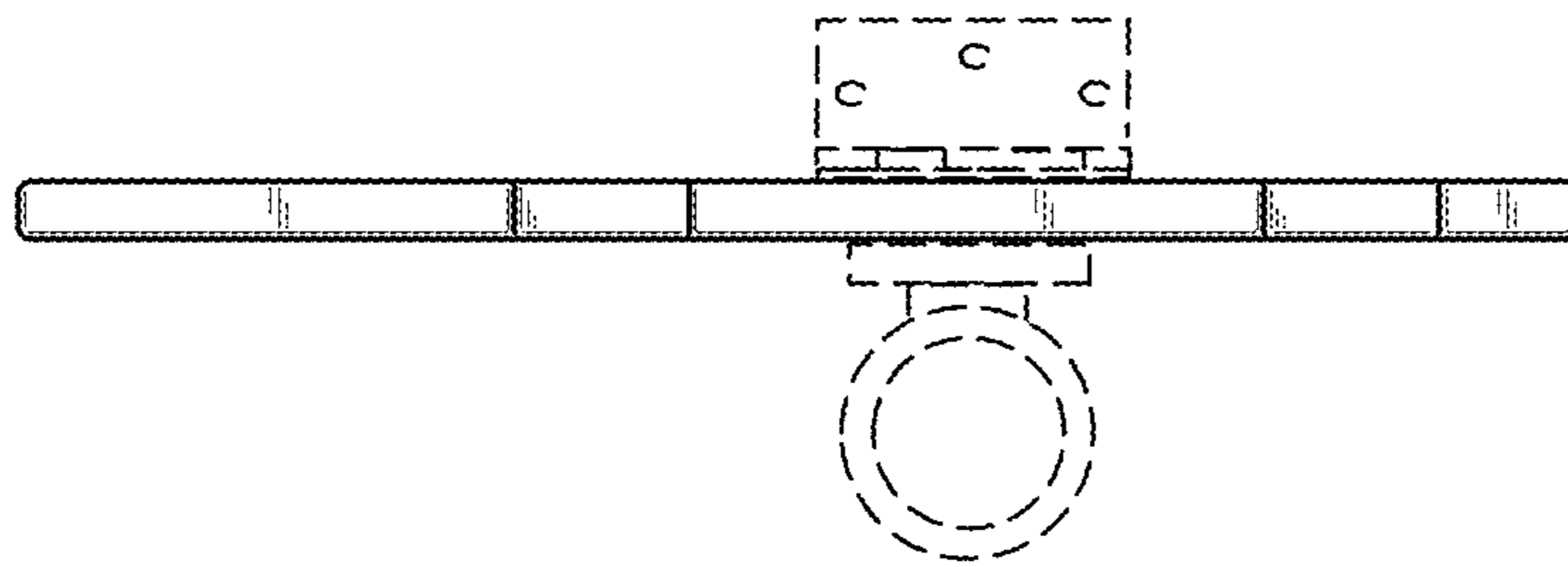


FIG. 3



**FIG. 4**



**FIG. 5**

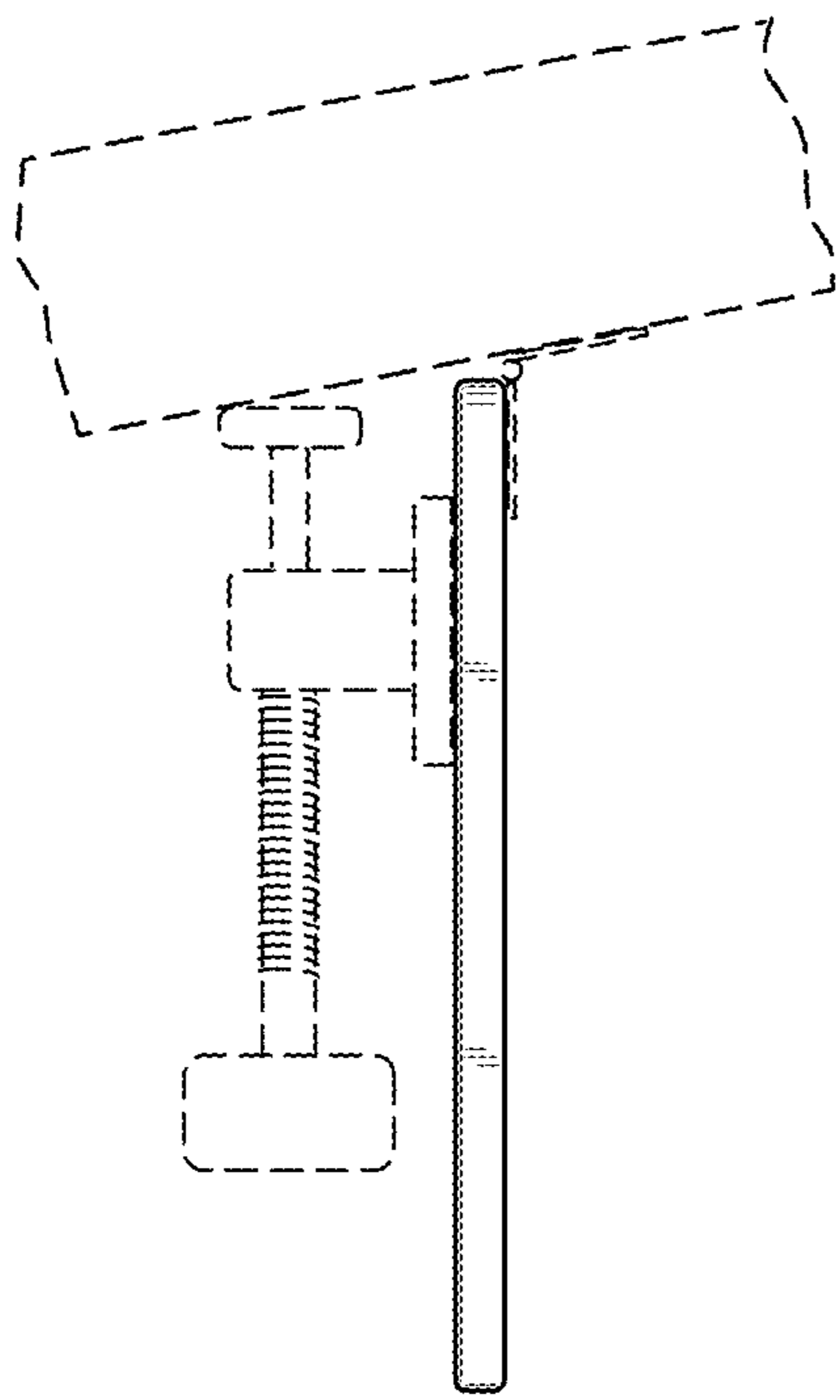


FIG. 6

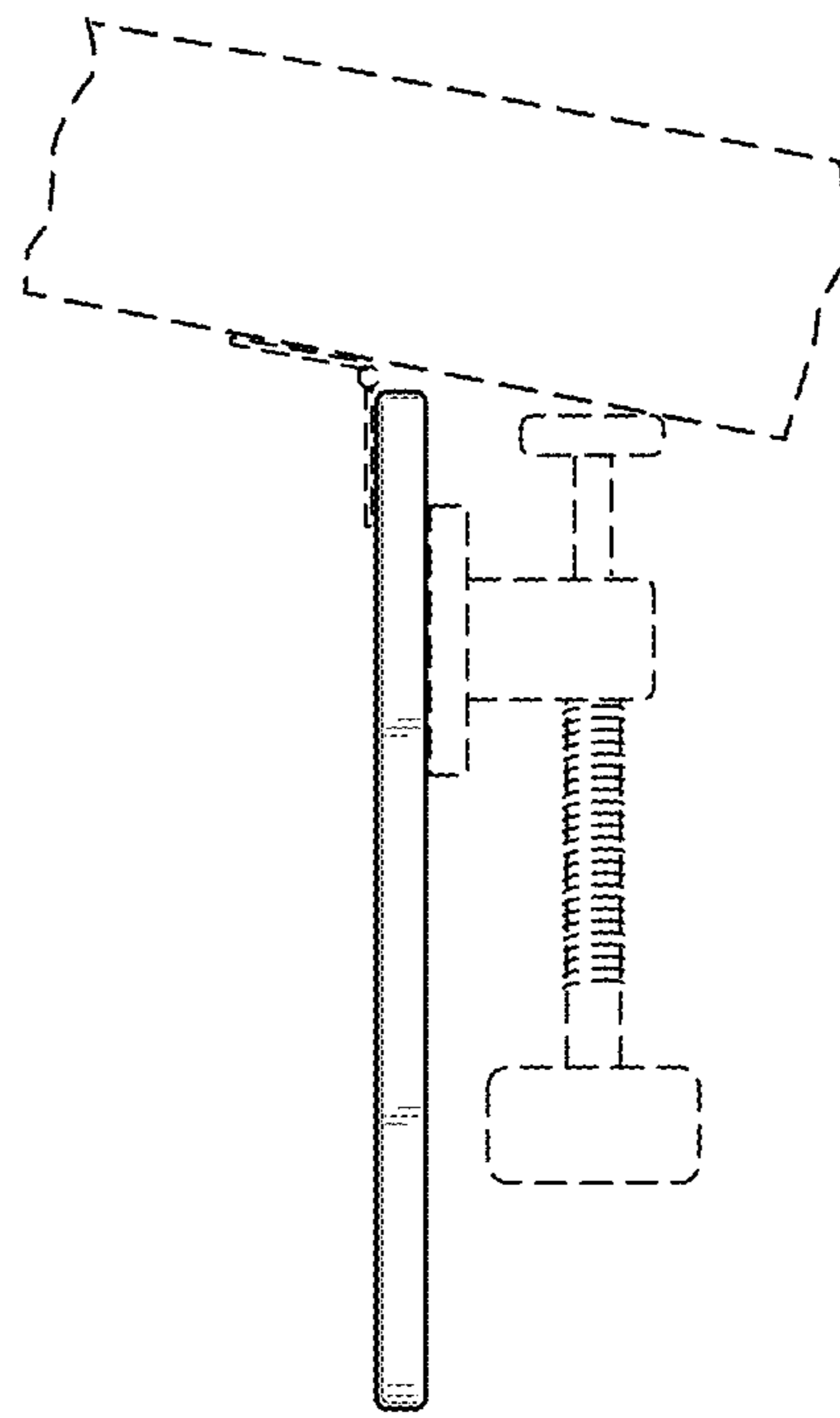


FIG. 7