



US00D771382S

(12) **United States Design Patent**
Maeda

(10) **Patent No.:** **US D771,382 S**
(45) **Date of Patent:** **** Nov. 15, 2016**

(54) **LUGGAGE**

6,345,709 B1 2/2002 Cheng
D454,430 S 3/2002 Sijmons
D462,169 S 9/2002 Giovanni

(71) Applicant: **Samsonite IP Holdings S.a r.l.**,
Luxembourg (LU)

(Continued)

(72) Inventor: **Nobuo Maeda**, Kowloon (HK)

FOREIGN PATENT DOCUMENTS

(73) Assignee: **Samsonite IP Holdings S.a r.l.**,
Luxembourg (LU)

AU 306990 5/2015
EM 000615984-0001 11/2006

(Continued)

(**) Term: **15 Years**

OTHER PUBLICATIONS

(21) Appl. No.: **29/542,151**

Rimowa tango-Light 32" Trolley Multiwheel. Downloaded Dec. 21,
2007 at http://www.ebags.com/rimowa/tango_light_32_trolley_multiwheel_reg/product, 2007, 2 pages.

(22) Filed: **Oct. 12, 2015**

(Continued)

(30) **Foreign Application Priority Data**

Apr. 14, 2015 (HK) 1500865.1M006

(51) **LOC (10) Cl.** **03-01**

(52) **U.S. Cl.**
USPC **D3/279**

(58) **Field of Classification Search**
USPC D3/273, 276, 279, 281, 282, 289, 294,
D3/301, 902, 900, 905; D34/24, 25
CPC A45C 5/00; A45C 5/03; A45C 2005/037;
A45C 5/14; A45C 7/0027; A45C 7/0018;
A45C 7/0045

See application file for complete search history.

Primary Examiner — Jennifer Rivard

Assistant Examiner — April Rivas

(74) *Attorney, Agent, or Firm* — Dorsey & Whitney LLP

(57) **CLAIM**

The ornamental design for a luggage, as shown and described.

DESCRIPTION

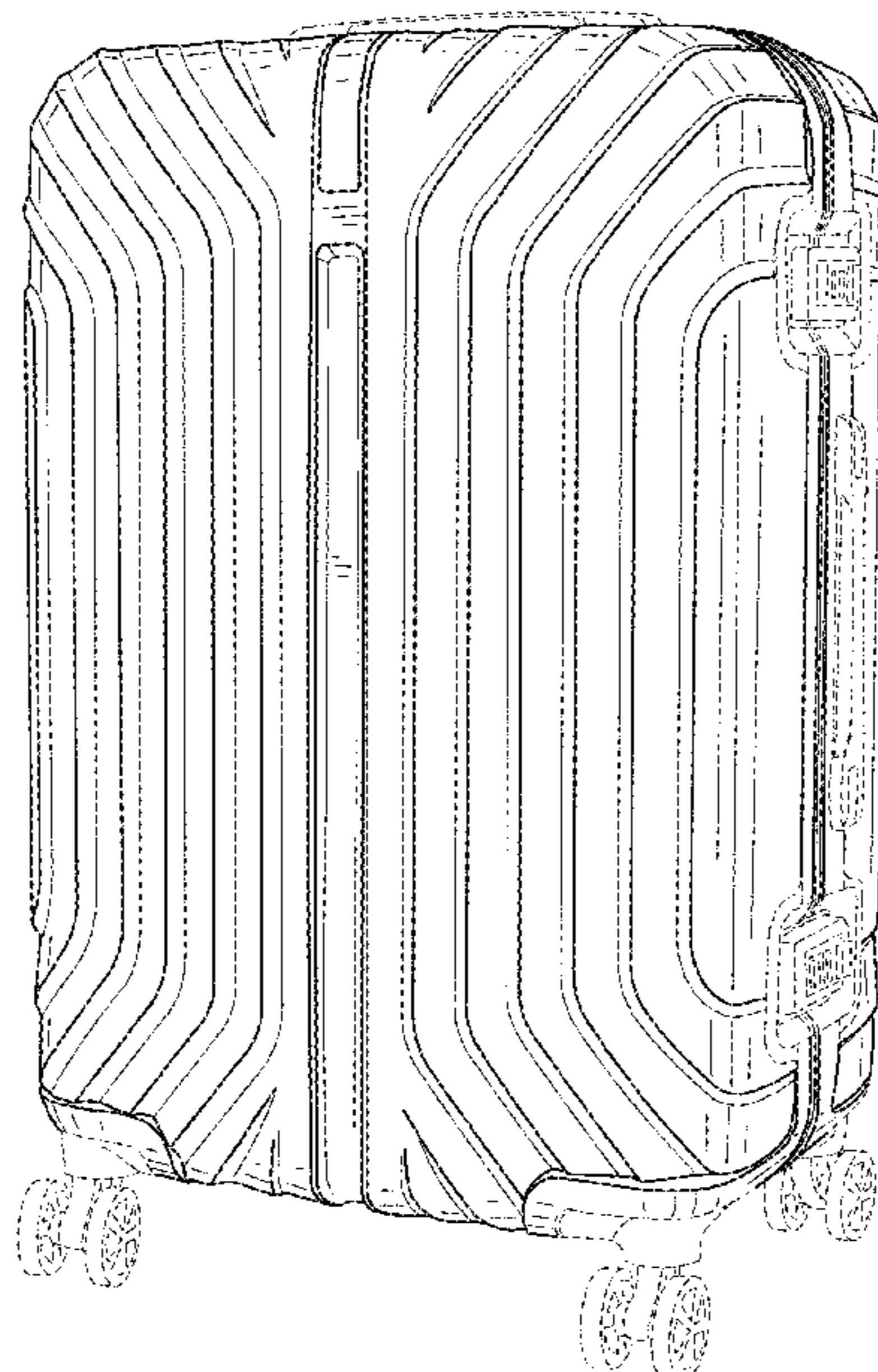
FIG. 1 shows a front perspective view of a luggage;
FIG. 2 shows a front elevation view of the luggage of FIG. 1;
FIG. 3 shows a rear elevation view of the luggage of FIG. 1;
FIG. 4 shows a right elevation view of the luggage of FIG. 1;
FIG. 5 shows a left elevation view of the luggage of FIG. 1;
FIG. 6 shows a top view of the luggage of FIG. 1; and,
FIG. 7 shows a bottom view of the luggage of FIG. 1.
The broken lines shown in the drawings illustrate portions of the luggage and form no part of the claimed design.

(56) **References Cited**

U.S. PATENT DOCUMENTS

3,044,215 A 7/1962 Crousore
D196,478 S 10/1963 Holtzman
D263,339 S 3/1982 Tellman
D299,589 S 1/1989 Uchiyama
5,197,578 A 3/1993 Van Hooreweder
D425,301 S 5/2000 Sagol

1 Claim, 7 Drawing Sheets



(56)

References Cited

U.S. PATENT DOCUMENTS

D479,042 S 9/2003 Szyf
 D479,651 S 9/2003 Shen
 6,627,271 B1 9/2003 Okazaki
 D491,360 S 6/2004 Van Himbeeck
 D540,036 S 4/2007 Newson
 D540,540 S 4/2007 Szyf et al.
 7,293,649 B2 11/2007 Gelpman et al.
 D563,101 S 3/2008 Kuchler
 D581,666 S 12/2008 Sijmons
 D582,160 S 12/2008 Sijmons
 D587,902 S 3/2009 Yoneno
 D627,162 S 11/2010 Weng
 D629,199 S 12/2010 Minneman
 D629,200 S 12/2010 Turella-Yuan et al.
 D633,716 S 3/2011 Turella-Yuan et al.
 D639,555 S 6/2011 Moon
 D642,379 S 8/2011 Buller
 D644,434 S 9/2011 Miles et al.
 D644,435 S 9/2011 Weng
 D659,395 S 5/2012 Sijmons
 D665,998 S 8/2012 Sijmons
 D710,608 S 8/2014 Yoneno
 D710,610 S 8/2014 Sijmons et al.
 D711,104 S * 8/2014 Lai D3/279
 D712,658 S * 9/2014 Lai D3/279
 D720,928 S * 1/2015 Roncato D3/279
 D722,771 S * 2/2015 Wu D3/279
 D724,323 S * 3/2015 Wang D3/279
 D733,428 S * 7/2015 Sijmons D3/279
 D740,558 S * 10/2015 Liao D3/279
 D743,697 S * 11/2015 Tooze D3/279
 D751,290 S * 3/2016 Maeda D3/279
 2005/0183579 A1 8/2005 Bowers

2006/0011437 A1 1/2006 Selvi
 2007/0237920 A1 10/2007 Schoulz
 2011/0016018 A1 1/2011 Smith et al.
 2011/0155526 A1 6/2011 Cheng
 2011/0186396 A1 8/2011 Sheikh
 2011/0284334 A1 11/2011 Cheng
 2012/0255824 A1 10/2012 Schnell et al.
 2013/0292221 A1 11/2013 Ryan et al.

FOREIGN PATENT DOCUMENTS

EM 000816178-0001 11/2007
 EM 000945175-0001 6/2008
 EM 000951454-0001 6/2008
 EM 001003255-0001 9/2008
 EM 001045520-0001 11/2008
 EM 001651191-0001 12/2009
 EM 001212856-0001 4/2010
 EM 001236632-0001 9/2010
 EM 001236632-0002 9/2010
 EM 001236996-0001 9/2010
 EM 001947789-0003 11/2011
 EM 001988460-0001 2/2012
 EM 002136127-0003 11/2012
 EM 002136127-0004 11/2012
 EM 002229815-0001 4/2013
 EM 002576728-0011 11/2014
 EM 002649558-0001 3/2015

OTHER PUBLICATIONS

“McQueen’s Quick Silver”, Downloaded at http://www.style.com/trends/blogs/style_file/shopping_news/index.html, Jul. 17, 2008, 1 page.

* cited by examiner

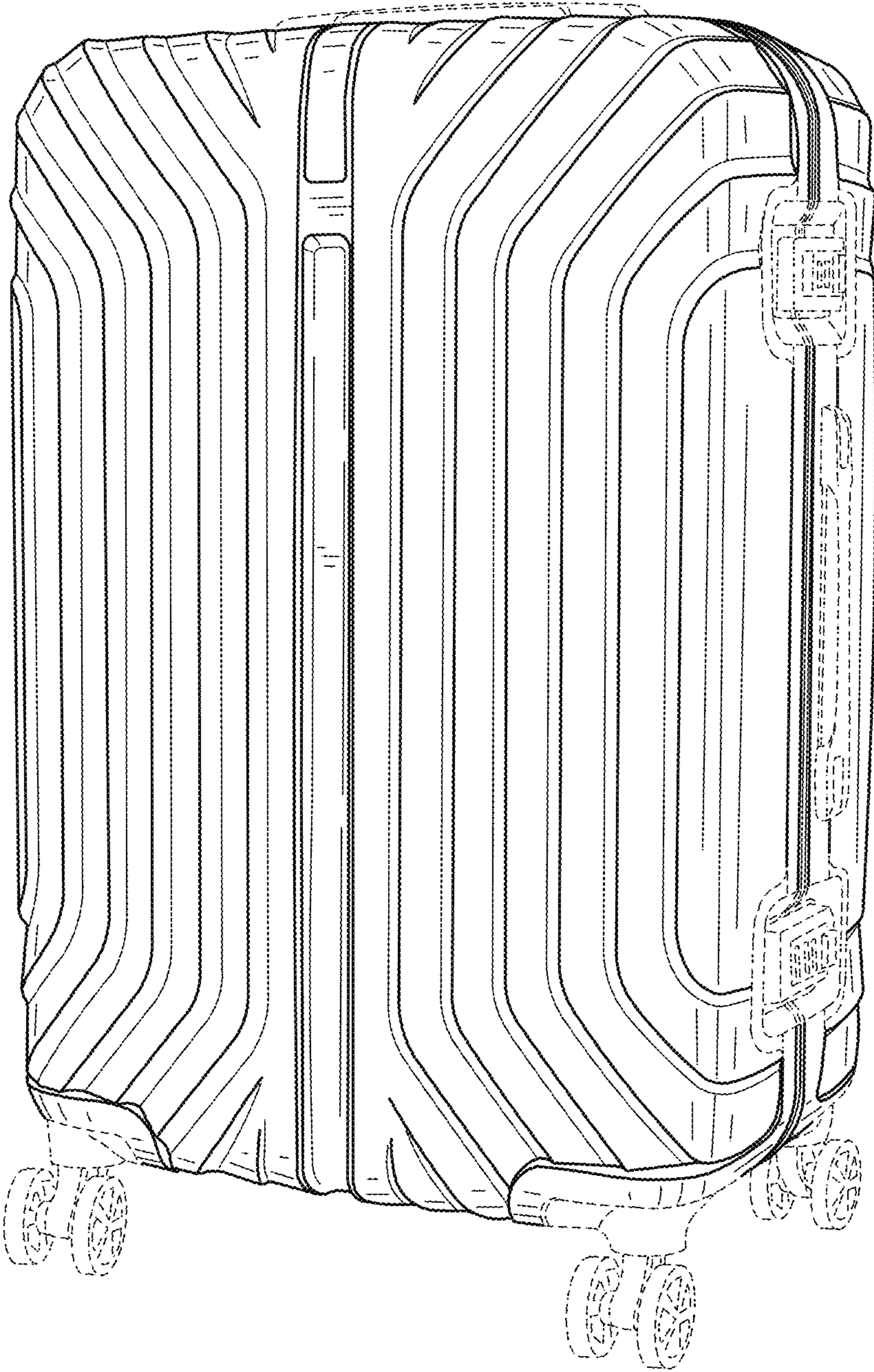


FIG. 1

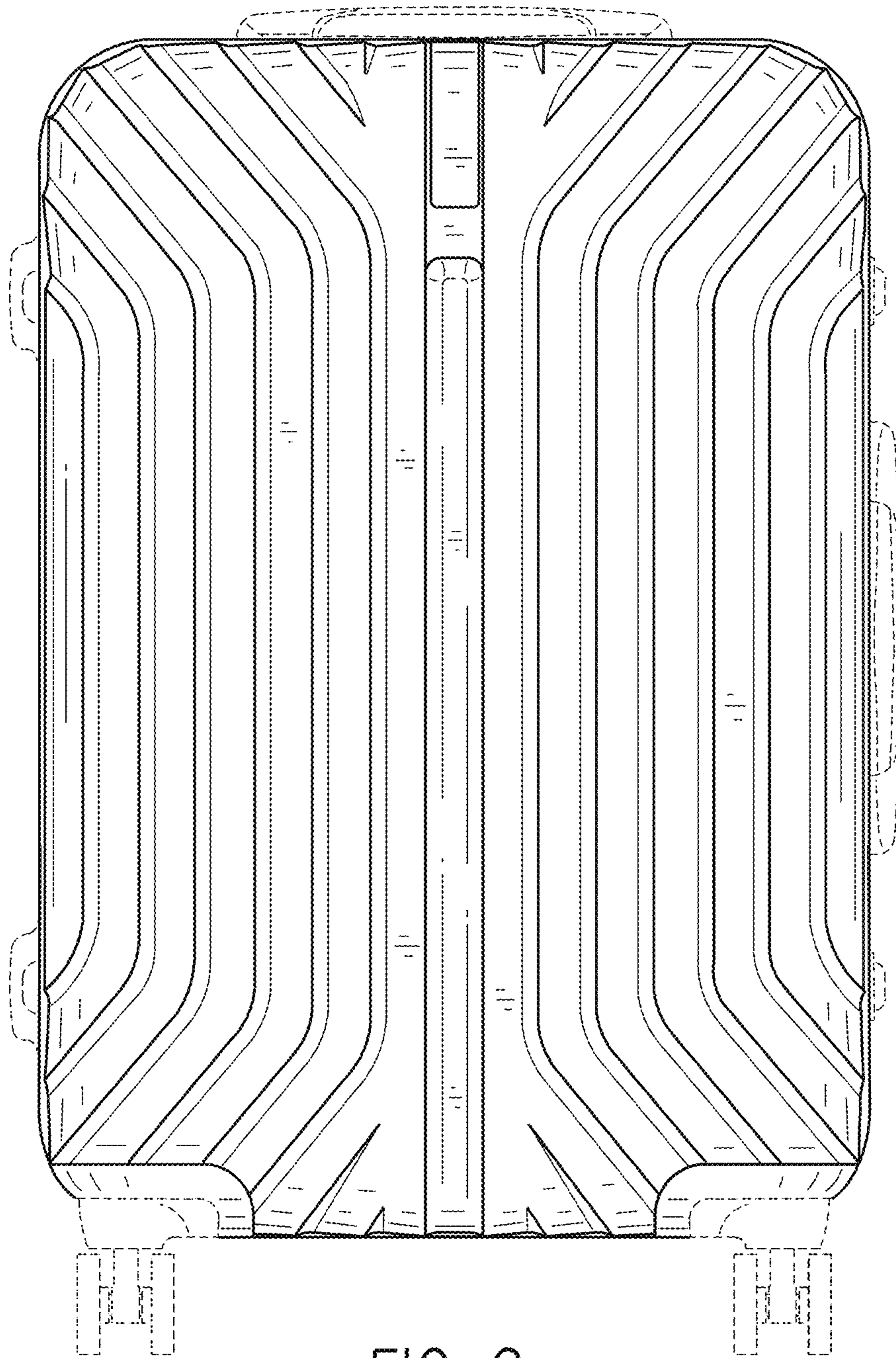


FIG. 2

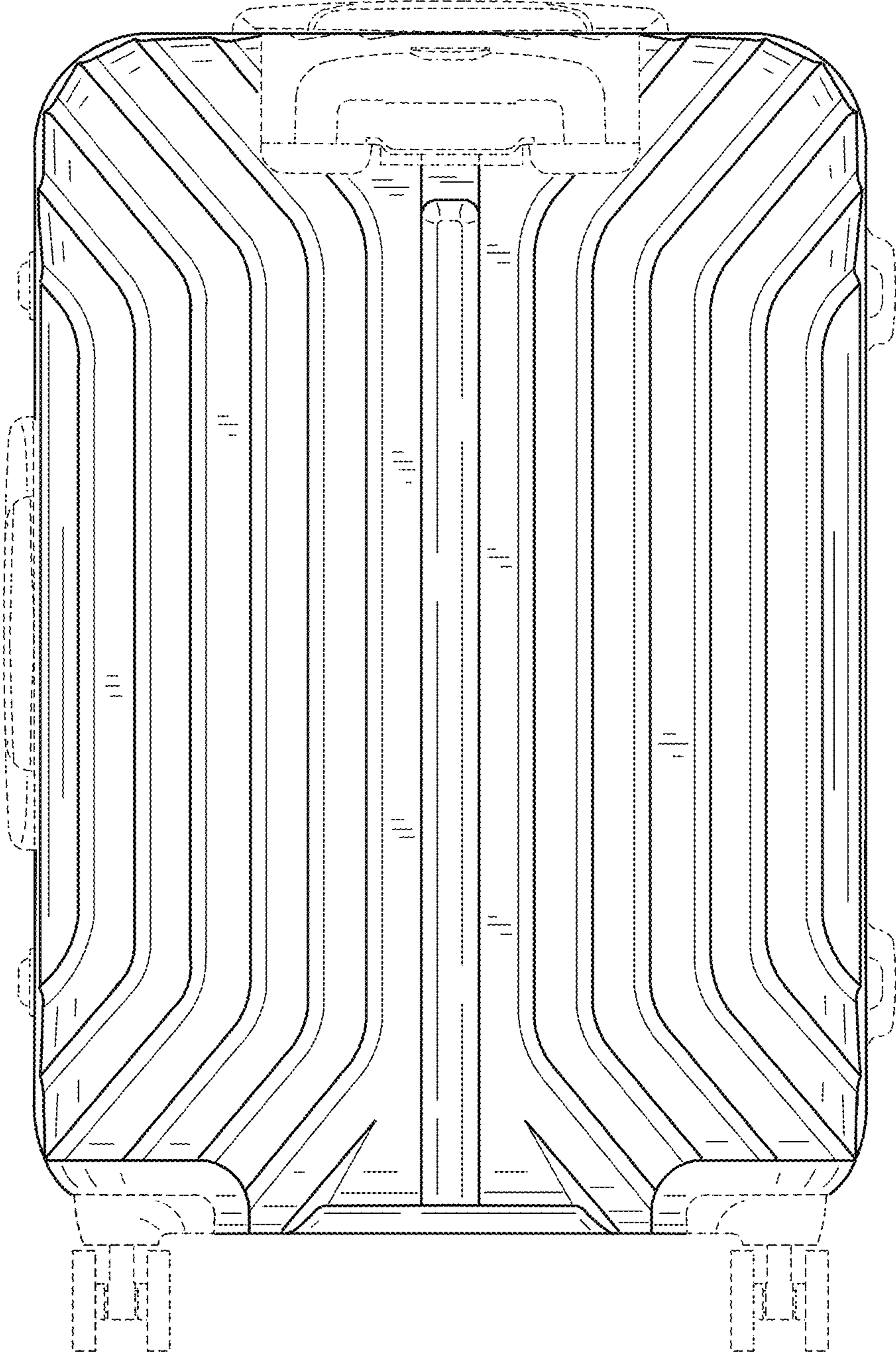


FIG. 3

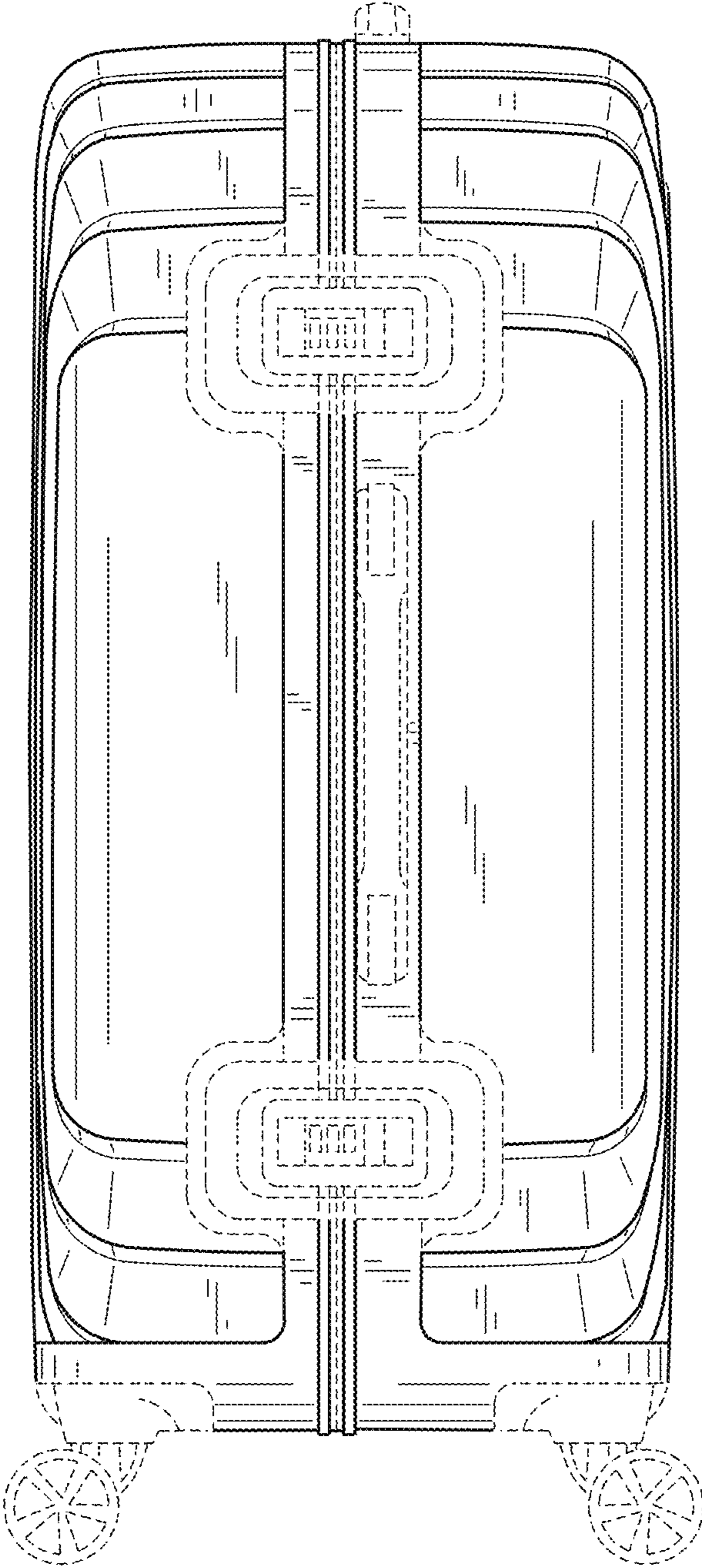


FIG. 4

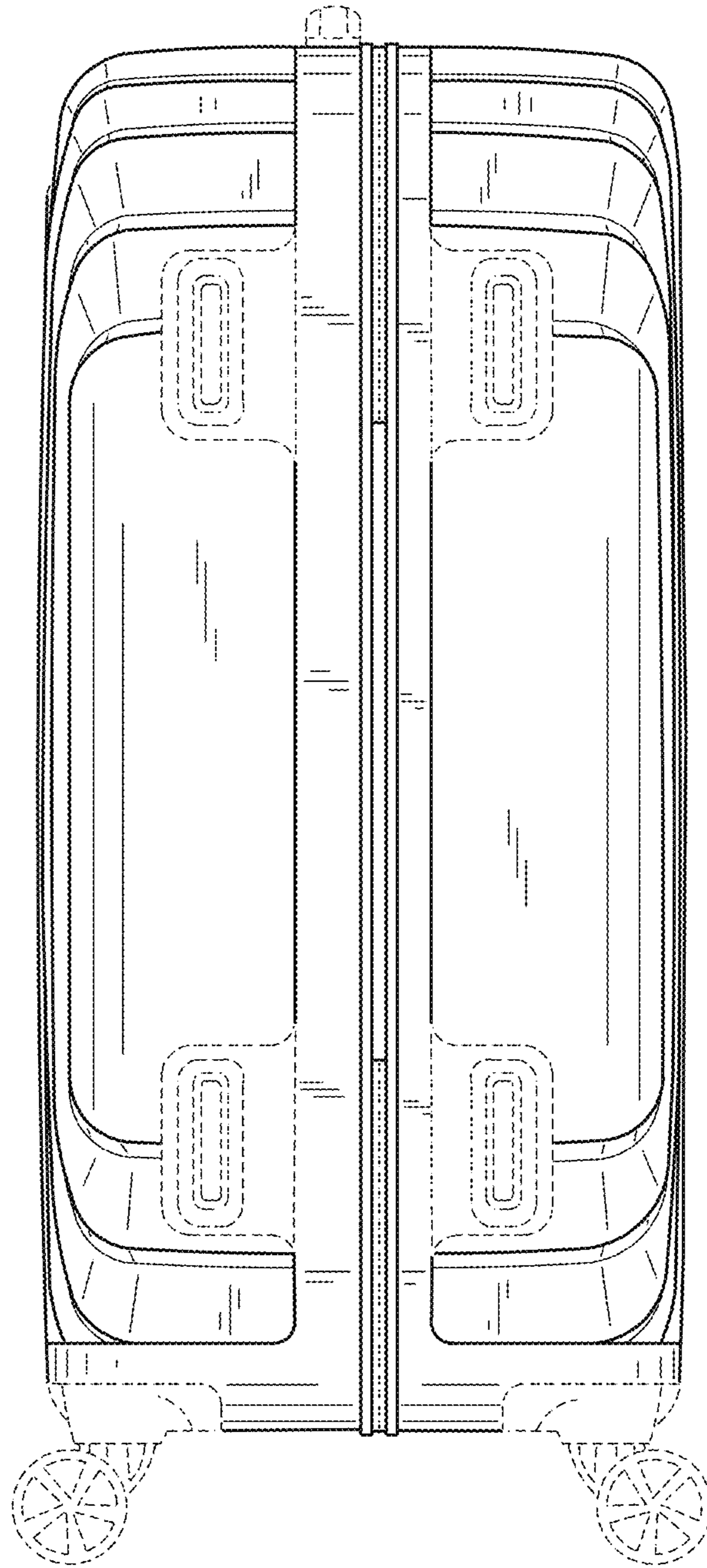


FIG. 5

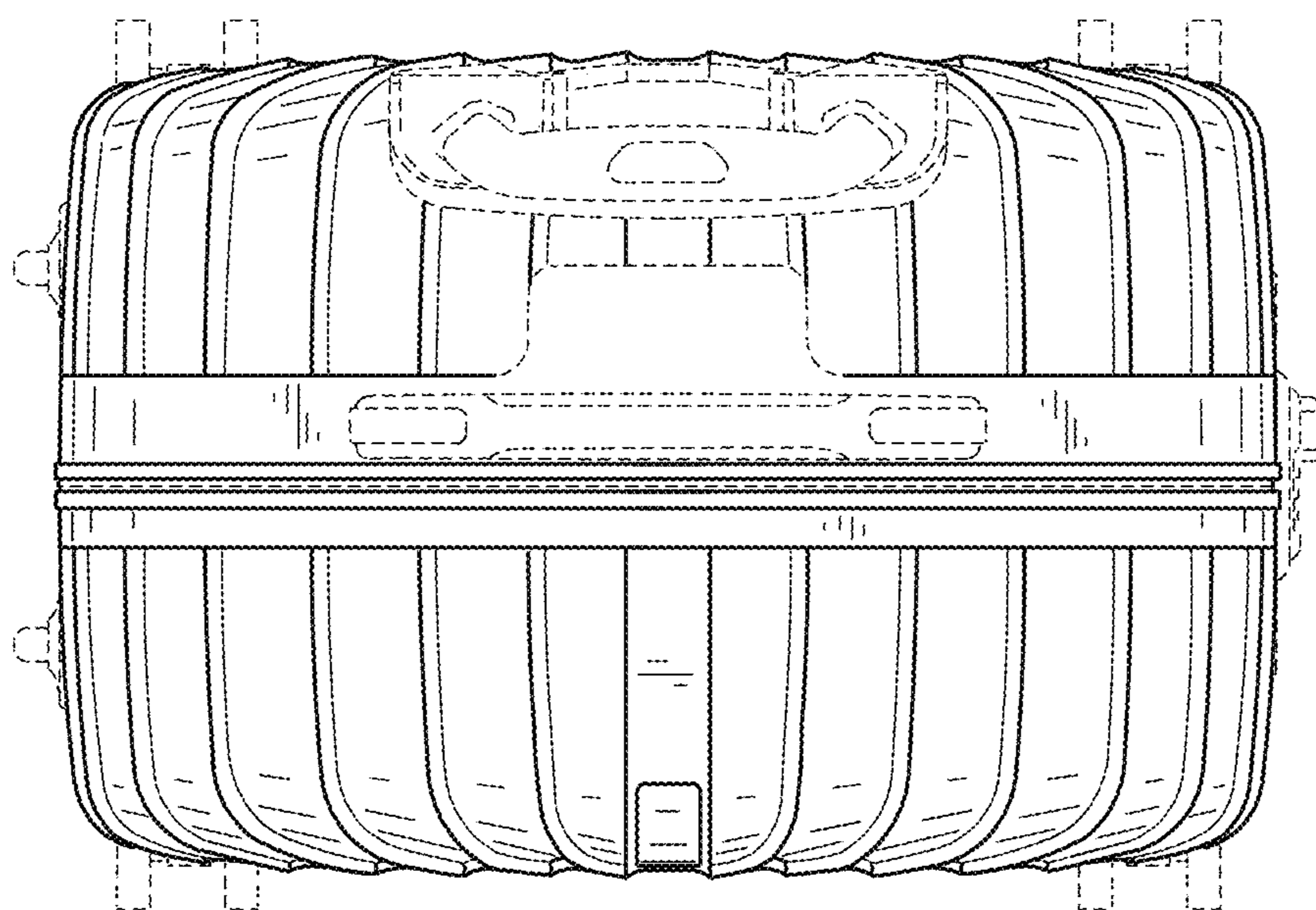


FIG. 6

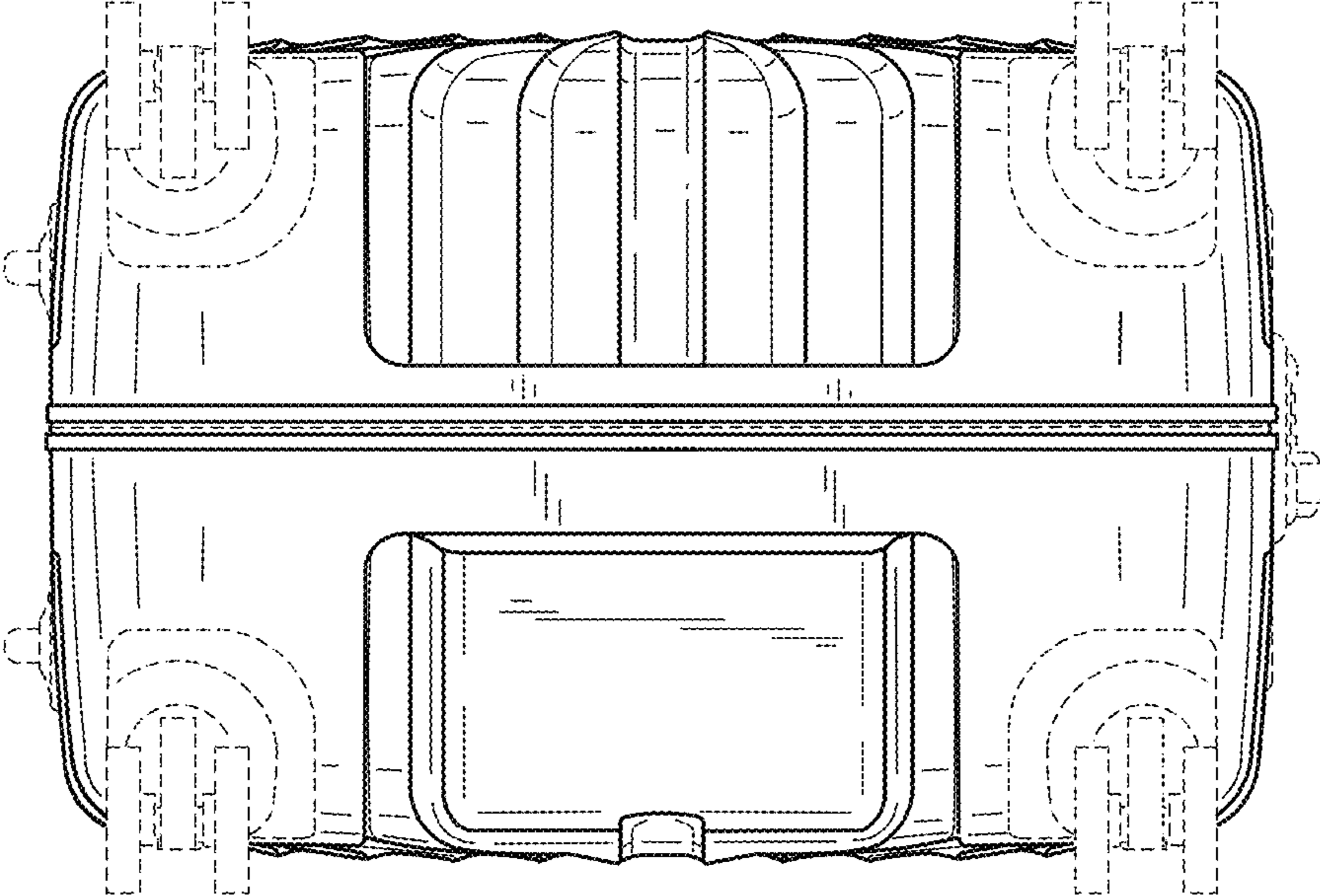


FIG. 7