



US00D771381S

(12) **United States Design Patent** (10) **Patent No.:** **US D771,381 S**
Sosnovsky et al. (45) **Date of Patent:** **** Nov. 15, 2016**

(54) **TOOL BOX** 2002/0117414 A1* 8/2002 Kipper B25H 3/023
 206/373
 (71) Applicant: **The Stanley Works Israel Ltd.**, Rosh 2010/0000893 A1* 1/2010 Twig B25H 3/023
 Ha'Ayin (IL) 206/373
 2012/0292213 A1* 11/2012 Brunner B25H 3/028
 206/349
 (72) Inventors: **David Sosnovsky**, Tel Aviv (IL); 2014/0102928 A1* 4/2014 Sabbag B25H 3/027
Michael Menirom, Raanana (IL) 206/372
 2014/0197059 A1* 7/2014 Evans B25H 3/02
 206/349
 (73) Assignee: **The Stanley Works Israel Ltd.**, Rosh
 Ha'Ayin (IL)

(**) Term: **14 Years**

(21) Appl. No.: **29/516,062**

(22) Filed: **Jan. 29, 2015**

(30) **Foreign Application Priority Data**

Aug. 1, 2014 (EP) 001417950

(51) **LOC (10) Cl.** **03-01**

(52) **U.S. Cl.**
 USPC **D3/279; D3/282; D3/294; D3/905**

(58) **Field of Classification Search**
 USPC **D3/272, 273, 276, 279, 281, 282, 283,**
D3/284, 294, 295, 296, 302, 905
 CPC **B25H 3/02-3/028; B25H 3/00; B25H**
3/003; B25H 3/006
 See application file for complete search history.

(56) **References Cited**

U.S. PATENT DOCUMENTS

D437,484 S * 2/2001 Tiramani D3/276
 D441,954 S * 5/2001 Parker D3/273
 D467,426 S * 12/2002 Hardigg D3/276
 D527,181 S * 8/2006 Henning D3/276
 D609,911 S * 2/2010 Twig D3/279
 D629,607 S * 12/2010 Sabbag D3/282
 D649,783 S * 12/2011 Brunner D3/279
 D663,952 S * 7/2012 Crevling, Jr. D3/274
 8,256,242 B1 * 9/2012 Evans A45C 13/262
 62/457.7
 D709,287 S * 7/2014 Shitrit D3/279

OTHER PUBLICATIONS

Amazon.com, "Stanley 033026R Pro Contractor Chest", Accessed Dec. 29, 2015. Reviewed as early as Nov. 16, 2012. (<http://www.amazon.com/St Stanley-033026R-Pro-Contractor-Chest/dp/B0050034P8>).*
 Homedepot.com, "DEWALT 24.57 in. Contractor Chest, Black", Accessed Dec. 29, 2015. Reviewed as early as Oct. 23, 2014. (<http://www.homedepot.com/p/DEWALT-24-57-in-Contractor-Chest-Black-DWST33090/205502768>).*

* cited by examiner

Primary Examiner — Jennifer Rivard

Assistant Examiner — April Rivas

(74) *Attorney, Agent, or Firm* — Gabriel A. Haboubi

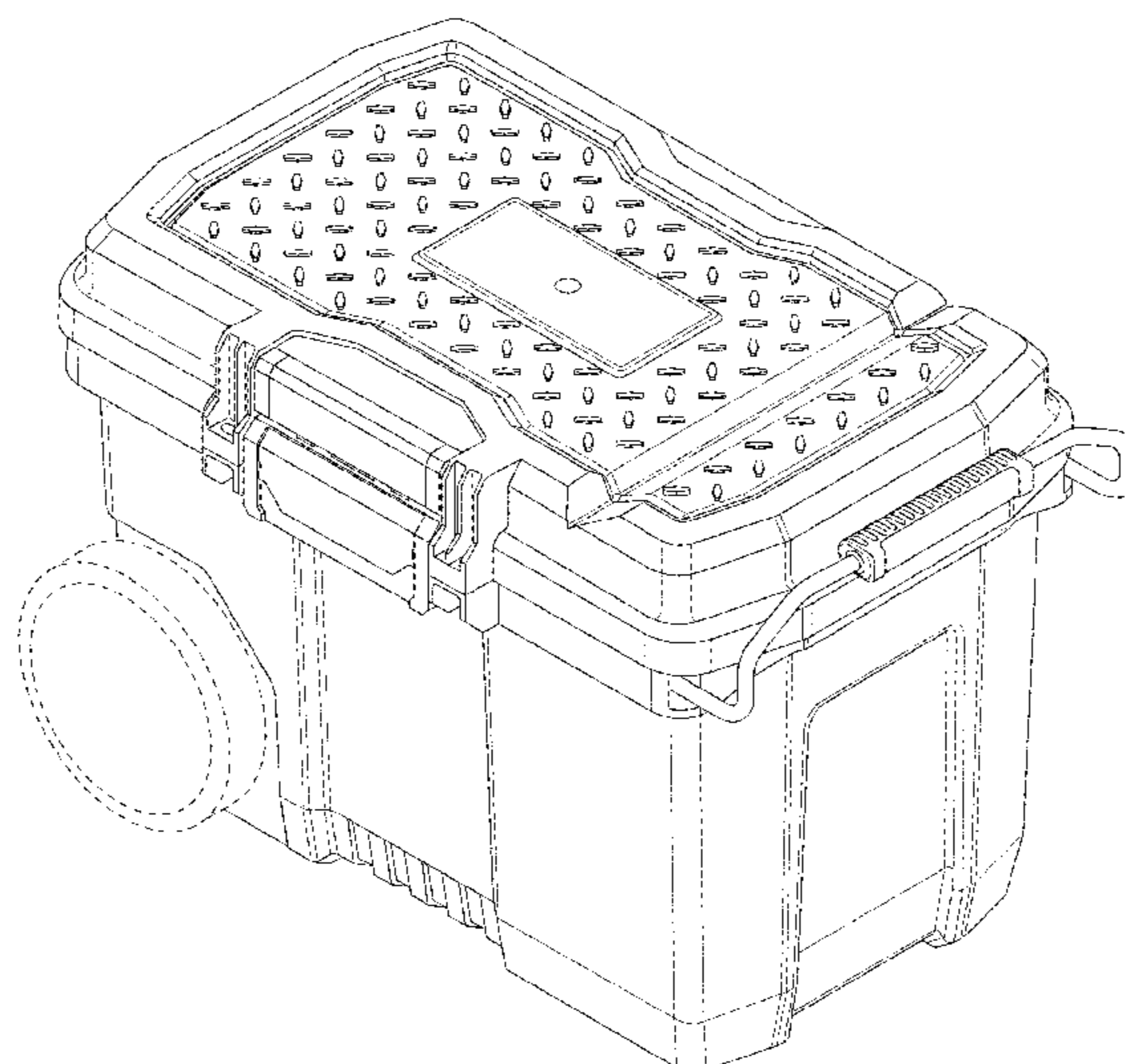
(57) **CLAIM**

The ornamental design for a tool box, as shown and described.

DESCRIPTION

FIG. 1 is a perspective view of my new design;
 FIG. 2 is a front view thereof;
 FIG. 3 is a rear view thereof;
 FIG. 4 is a left side view thereof;
 FIG. 5 is a right side view thereof;
 FIG. 6 is a top view thereof; and,
 FIG. 7 is a bottom view thereof.
 The broken lines illustrate disclaimed portions of the tool box and form no part of the claimed design.

1 Claim, 7 Drawing Sheets



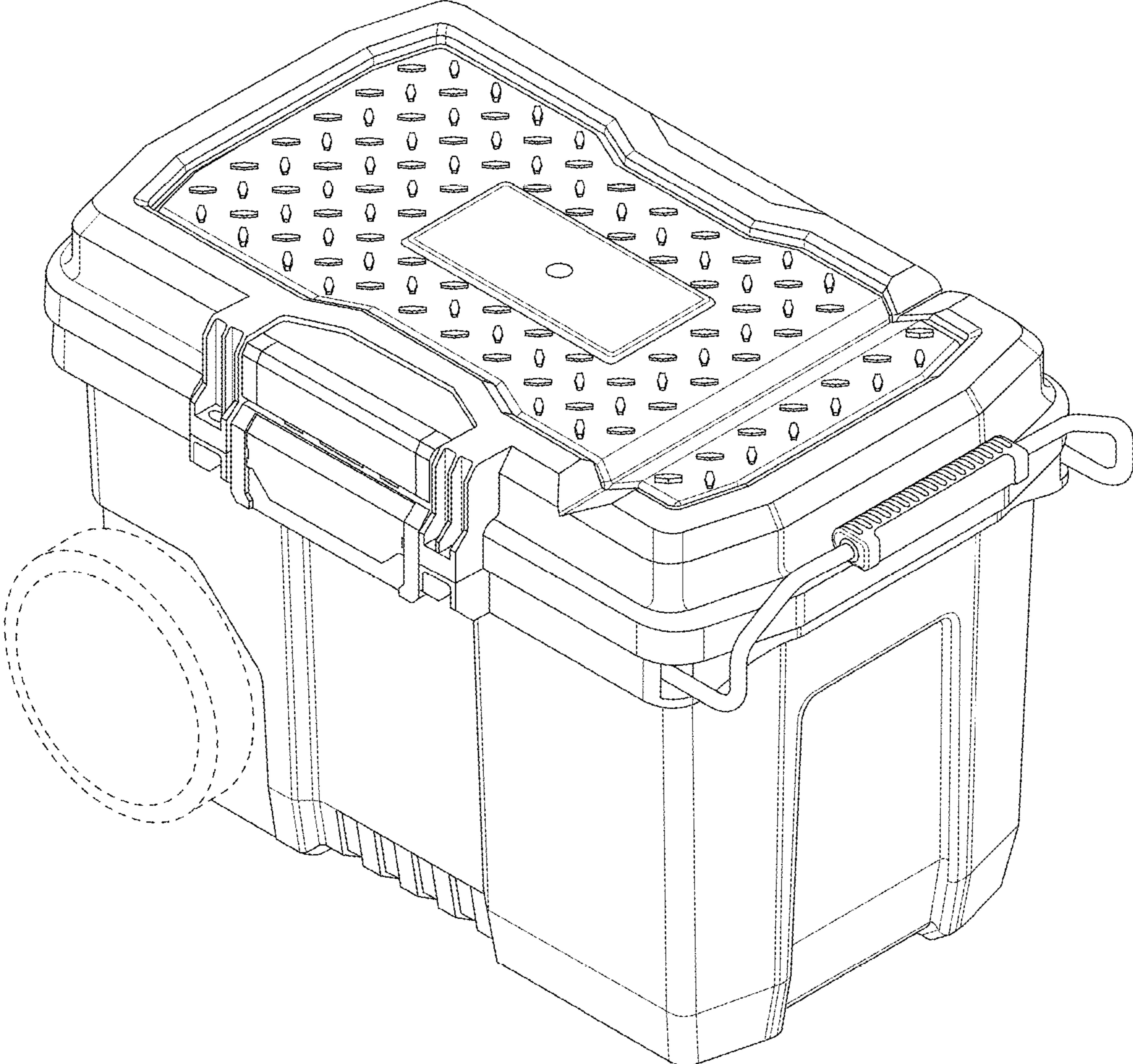


FIG. 1

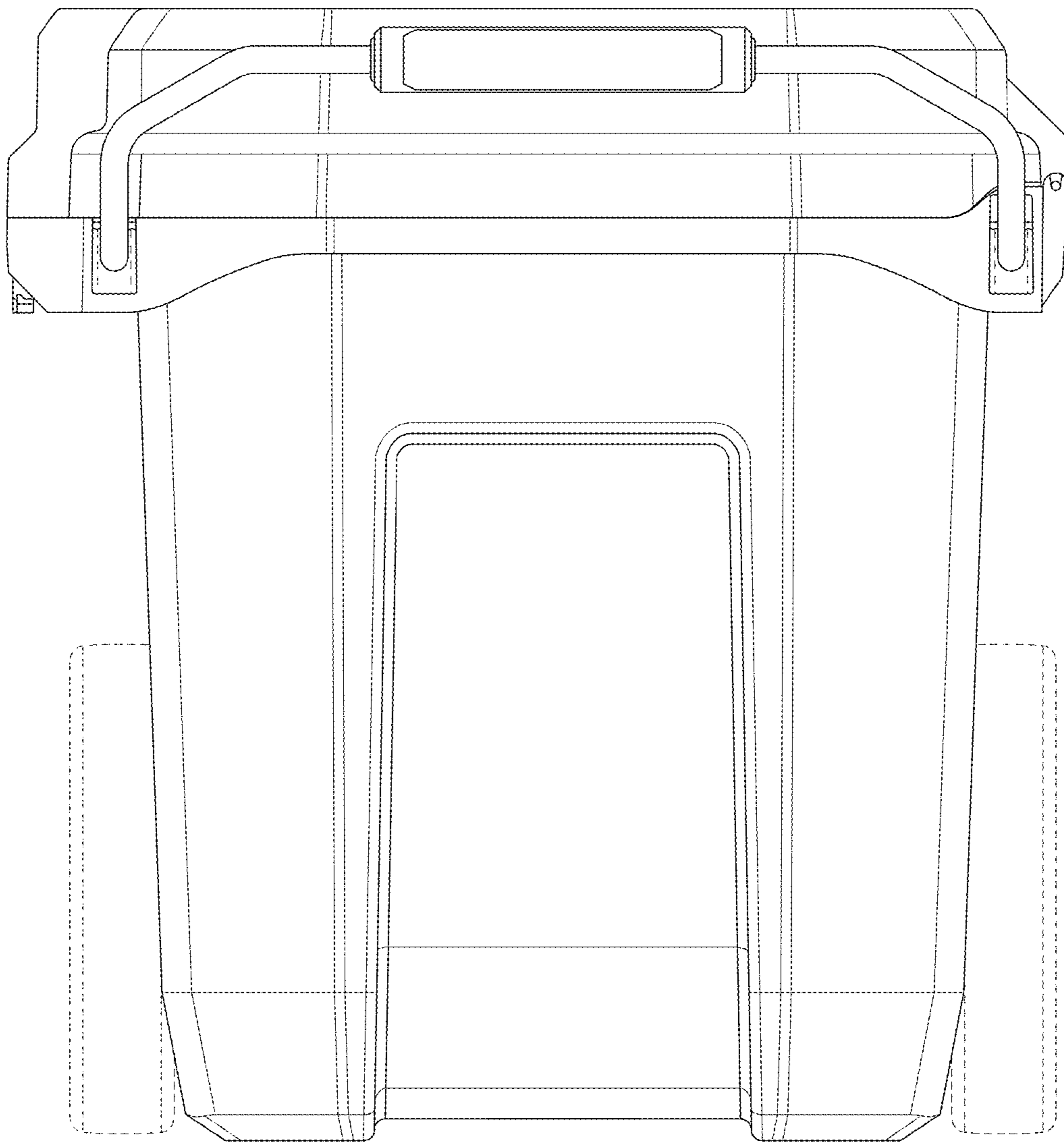


FIG. 2

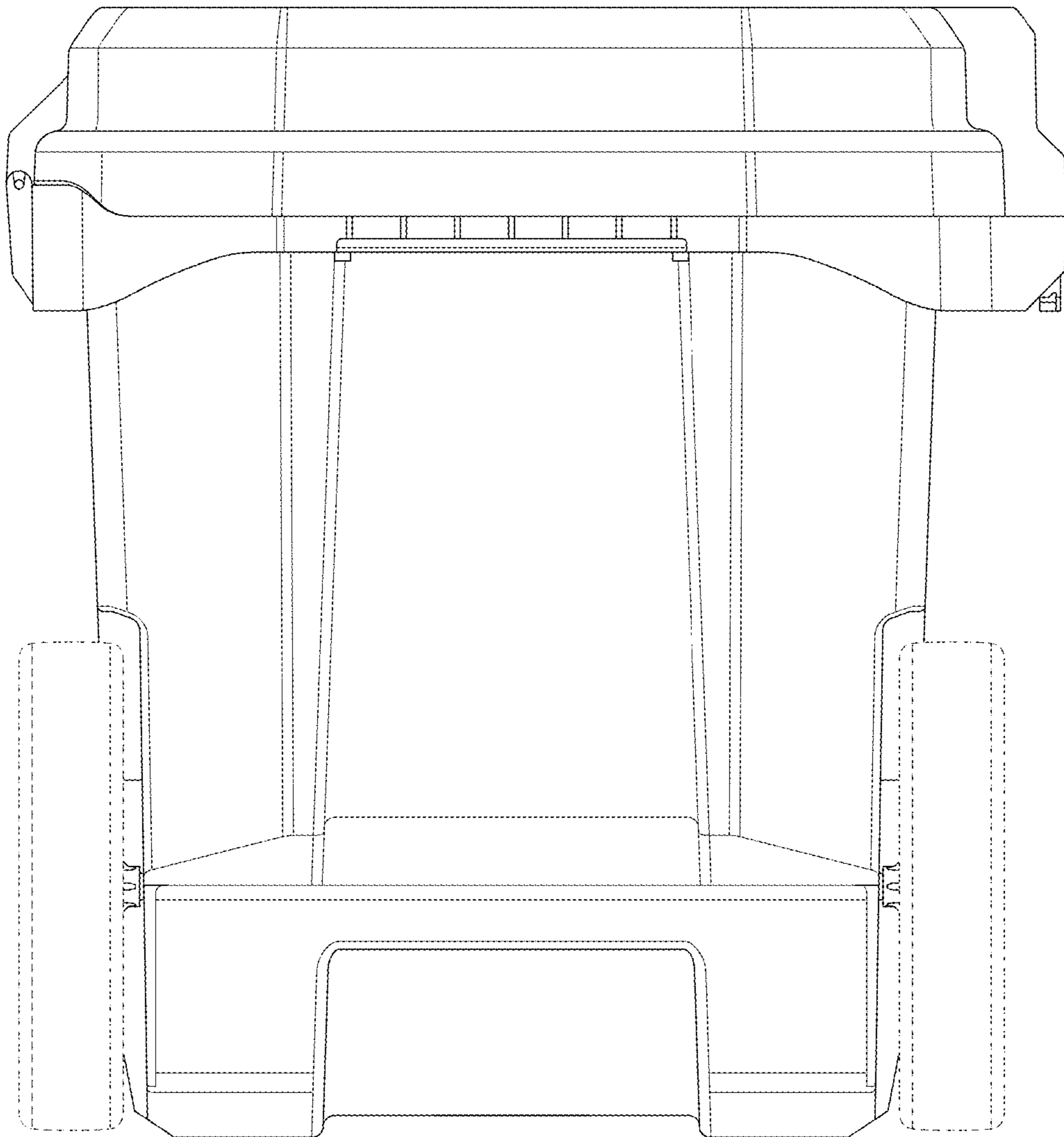


FIG. 3

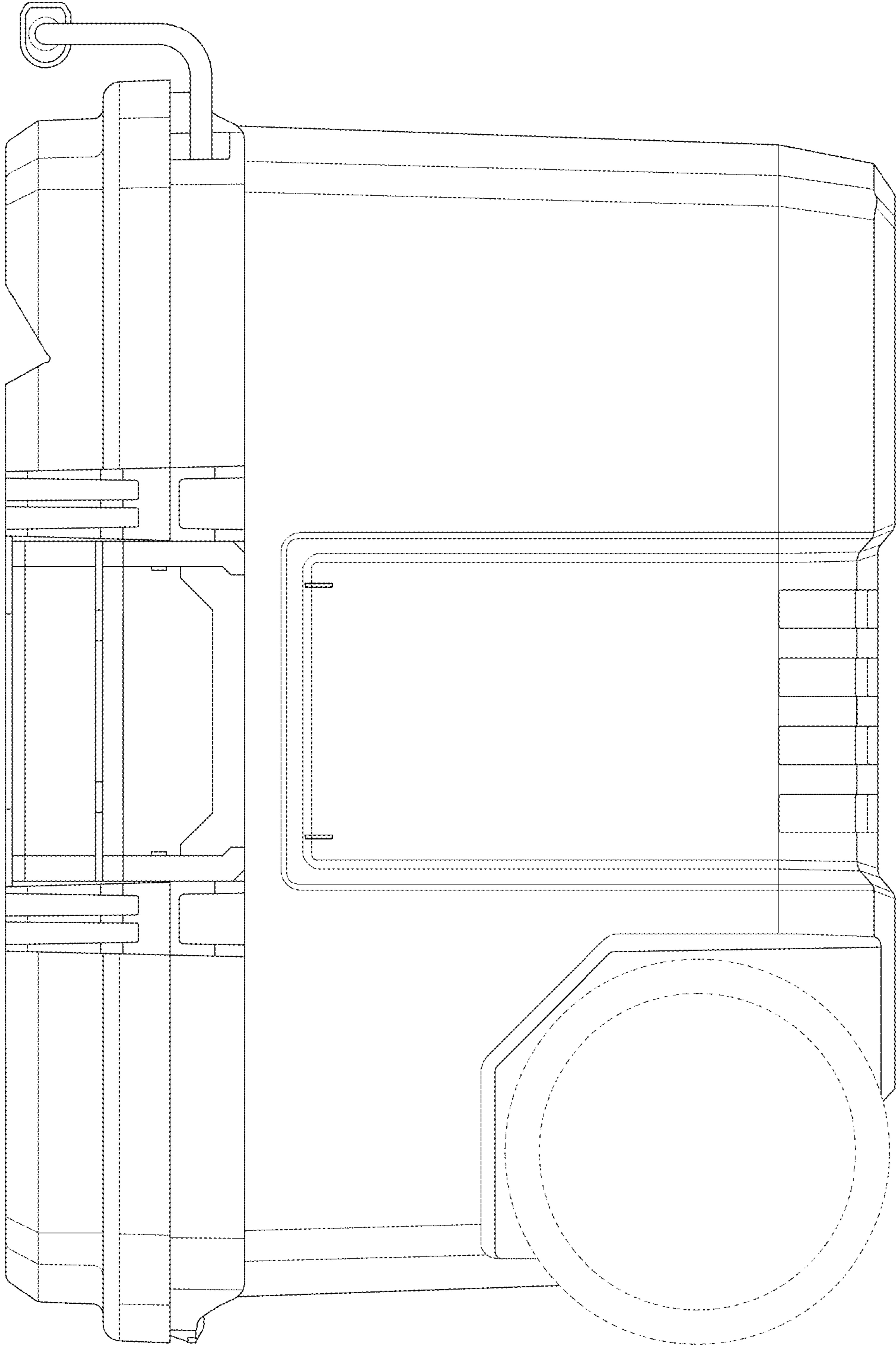


FIG. 4

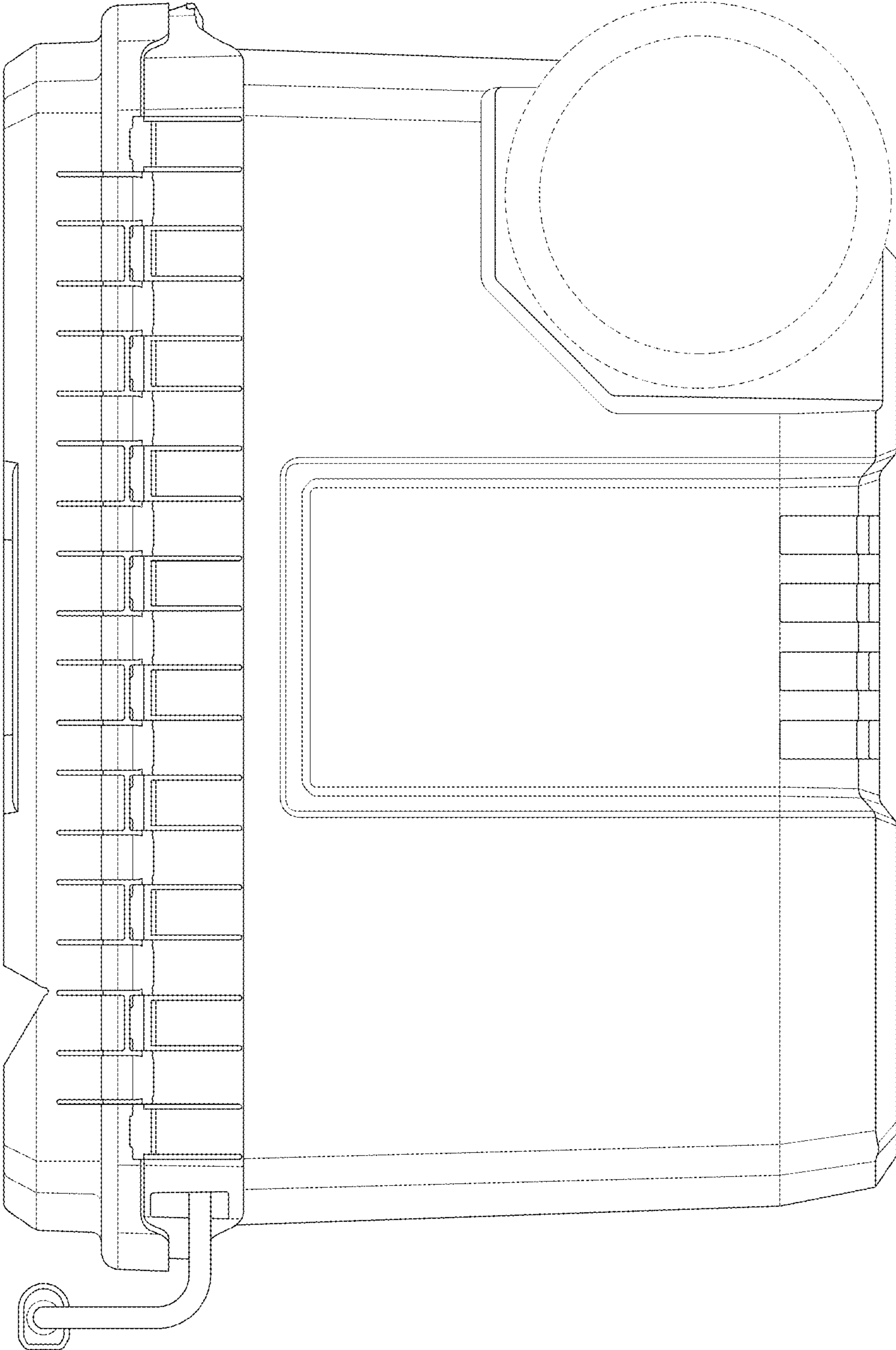


FIG. 5

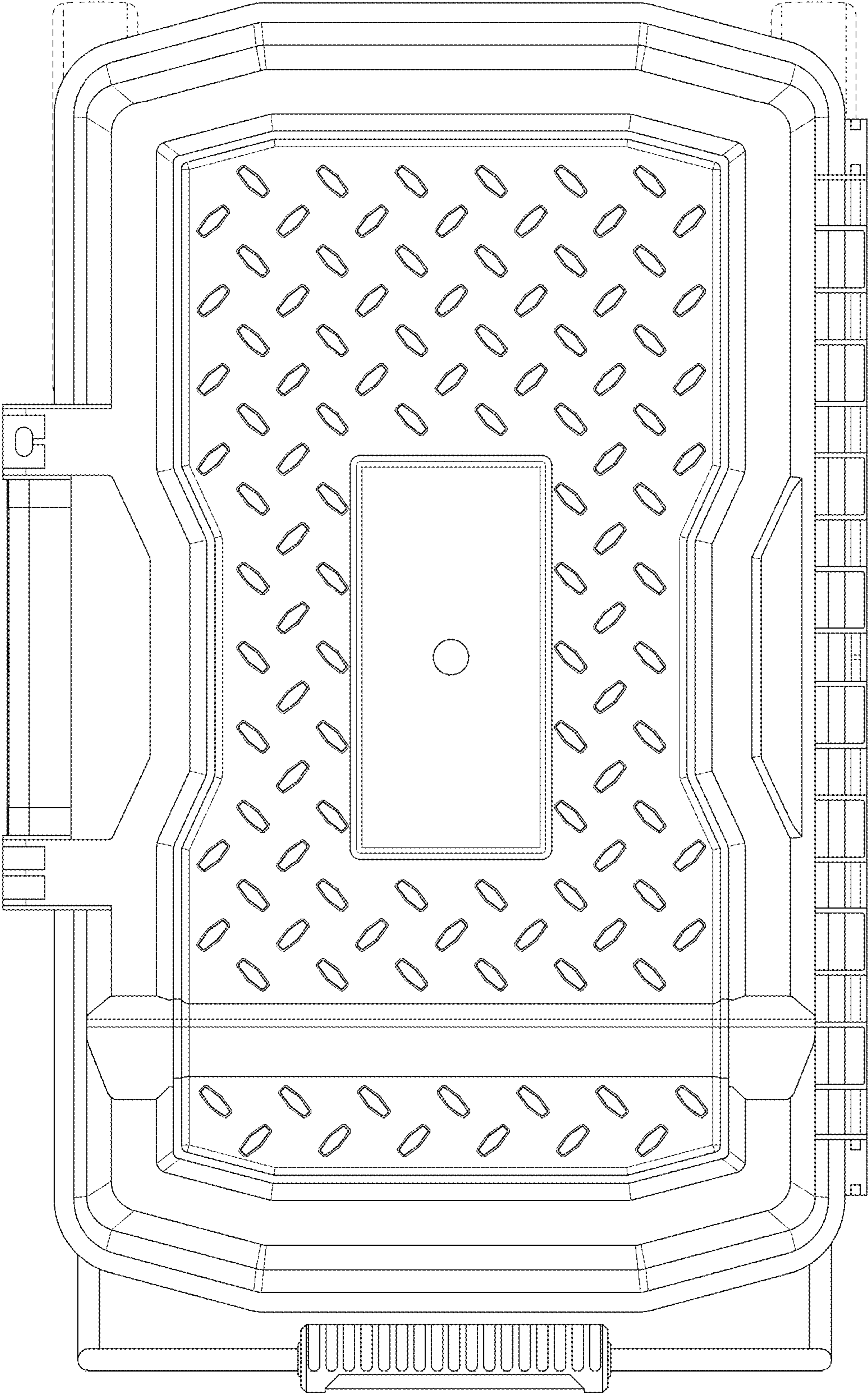


FIG. 6

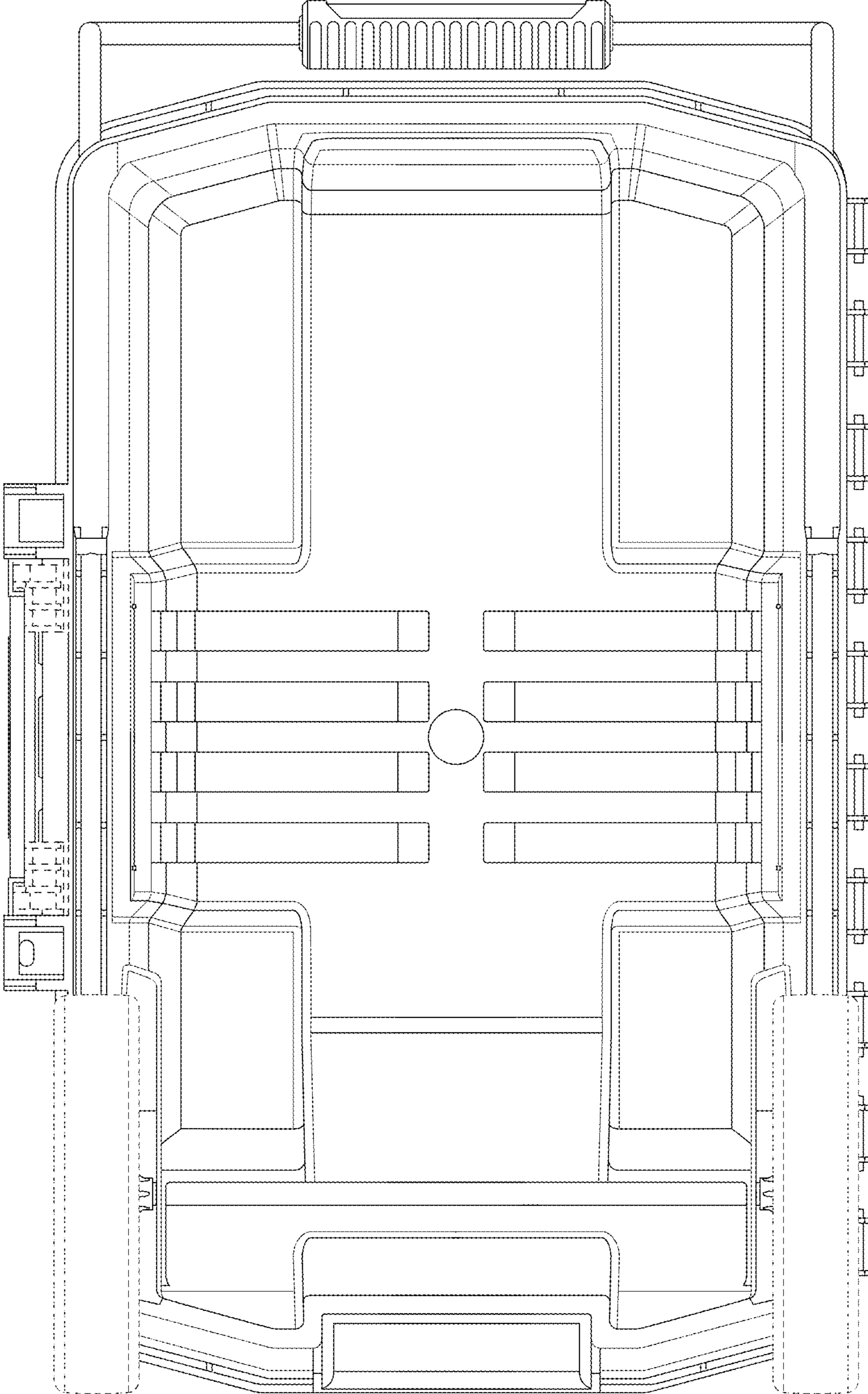


FIG. 7