



US00D771379S

(12) **United States Design Patent** (10) **Patent No.:** **US D771,379 S**
Minneman (45) **Date of Patent:** **** Nov. 15, 2016**

(54) **AMMUNITION CRATE**

(71) Applicant: **Steven W. Minneman**, Clayton, OH (US)

(72) Inventor: **Steven W. Minneman**, Clayton, OH (US)

(73) Assignee: **MTM Molded Products Company**, Dayton, OH (US)

(**) Term: **15 Years**

(21) Appl. No.: **29/528,085**

(22) Filed: **May 26, 2015**

(51) **LOC (10) Cl.** **03-01**

(52) **U.S. Cl.**
USPC **D3/262**

(58) **Field of Classification Search**
USPC D3/201, 203.6, 262, 273, 276, 281, 282, D3/294
CPC .. A45C 13/1084; A45C 5/00; A45C 13/008; E05B 65/5276
See application file for complete search history.

(56) **References Cited**

U.S. PATENT DOCUMENTS

1,355,343 A	10/1920	Korn
2,790,547 A	4/1957	Sutton
2,939,603 A	6/1960	Young
3,088,583 A	5/1963	Holtz
D205,579 S	8/1966	Schurman
D205,580 S	8/1966	Schurman
3,369,721 A	2/1968	Lentz
D213,601 S	3/1969	Benke
3,464,579 A	9/1969	Asenbauer
D220,021 S	2/1971	Bruening
3,593,873 A	7/1971	Vonk

(Continued)

OTHER PUBLICATIONS

Survivor Dry Boxes. Downloaded Mar. 15, 2010 at <http://www.mtmcase-gard.com/products/camping/dry-boxes-s1072.html>.

(Continued)

Primary Examiner — Mitchell Siegel

(74) *Attorney, Agent, or Firm* — Jacox, Meckstroth & Jenkins

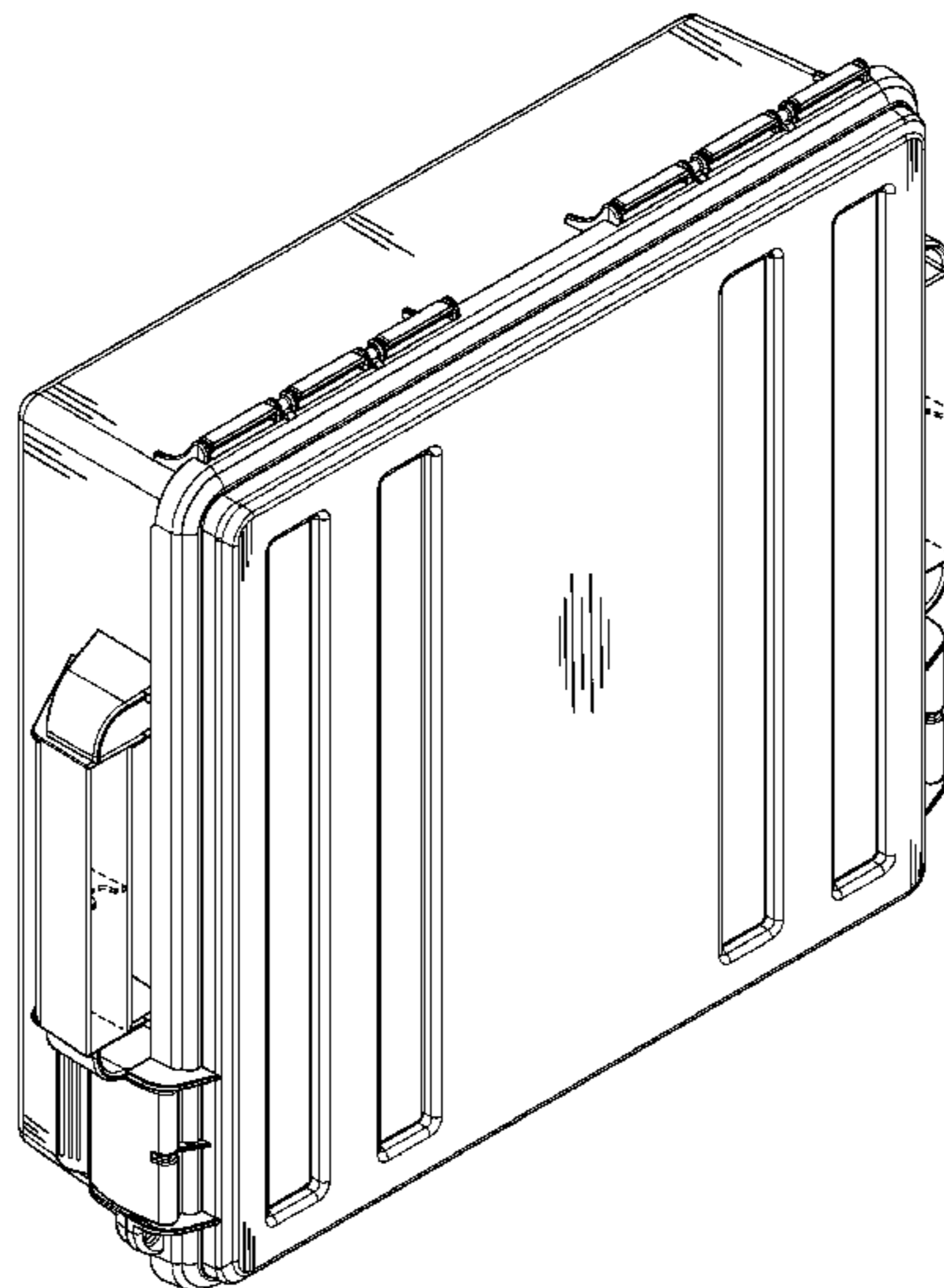
(57) **CLAIM**

The ornamental design for an ammunition crate, as shown and described.

DESCRIPTION

FIG. 1 is a front perspective view of an ammunition crate; FIG. 2 is a rear perspective view of the ammunition crate; FIG. 3 is a top view of the ammunition crate; FIG. 4 is a bottom view of the ammunition crate; FIG. 5 is a right side view of the ammunition crate; FIG. 6 is a left side view of the ammunition crate; FIG. 7 is a rear view of the ammunition crate; FIG. 8 is a front view of the ammunition crate; FIG. 9 is a front perspective view of a second embodiment of the ammunition crate; FIG. 10 is a rear perspective view of a second embodiment of the ammunition crate of FIG. 9; FIG. 11 is a top view of the ammunition crate of FIG. 9; FIG. 12 is a bottom view of the ammunition crate of FIG. 9; FIG. 13 is a right side view of the ammunition crate of FIG. 9; FIG. 14 is a left side view of the ammunition crate of FIG. 9; FIG. 15 is a rear view of the ammunition crate of FIG. 9; and, FIG. 16 is a front view of the ammunition crate of FIG. 9. The broken line showing is included for the purpose of illustrating and forms no part of the claimed design.

1 Claim, 12 Drawing Sheets



(56)

References Cited

U.S. PATENT DOCUMENTS

3,616,976 A 11/1971 Geretschlaeger
 4,030,646 A 6/1977 Switack et al.
 D247,159 S 2/1978 Schidlowski et al.
 4,183,206 A 1/1980 Porsche et al.
 4,363,147 A 12/1982 Deweese
 4,387,805 A 6/1983 Lanius
 D269,648 S 7/1983 Wilcox et al.
 4,395,828 A 8/1983 Juhas
 D271,444 S 11/1983 LeVine
 D300,183 S 3/1989 Minneman
 4,811,836 A 3/1989 Minneman
 D314,273 S 2/1991 Minneman
 D329,747 S 9/1992 Embree
 D334,662 S 4/1993 van Berne
 D353,048 S * 12/1994 VanSkiver D3/273
 D367,958 S 3/1996 Tisbo et al.
 D375,693 S 11/1996 Chang
 D380,225 S 6/1997 Kung
 D384,886 S 10/1997 Plante
 D387,903 S 12/1997 Jacoby et al.
 D389,745 S 1/1998 Steinhagen et al.
 D392,060 S 3/1998 Chen
 5,826,718 A 10/1998 Ahern, Jr. et al.
 D403,093 S 12/1998 Tseng
 D413,202 S 8/1999 Schmitt et al.
 D419,297 S * 1/2000 Richardson D3/273
 D419,768 S * 2/2000 Richardson D3/273
 D427,769 S 7/2000 Zimmerman
 6,193,062 B1 2/2001 Rysgaard et al.
 D441,954 S 5/2001 Parker
 D462,519 S * 9/2002 Gaydos D3/276
 D464,196 S * 10/2002 Parker D3/201
 D465,330 S * 11/2002 Parker D3/201
 D466,422 S 12/2002 Luquire
 6,564,384 B1 5/2003 Kiser
 D488,397 S 4/2004 Morelock
 D488,398 S 4/2004 Golaszewski et al.
 D490,551 S 5/2004 Kim
 D495,074 S 8/2004 Oas
 D495,443 S 8/2004 Kim
 6,955,381 B2 * 10/2005 Parker A45C 13/1084
 292/113
 D511,624 S 11/2005 Rosine et al.
 D513,123 S 12/2005 Richardson et al.
 D514,512 S 2/2006 Rubin et al.
 D516,309 S * 3/2006 Richardson D3/273
 D516,807 S * 3/2006 Richardson D3/273
 D523,242 S * 6/2006 Hardigg D3/276
 D527,181 S 8/2006 Henning et al.

D552,471 S 10/2007 Kuus
 D566,479 S 4/2008 Kabalin
 7,370,891 B1 5/2008 Schmitt et al.
 D572,154 S 7/2008 Daas
 D574,616 S 8/2008 Tullney et al.
 D579,202 S * 10/2008 Grenier D3/294
 D580,170 S 11/2008 Klotzman et al.
 7,447,118 B1 11/2008 Matos
 7,533,782 B2 * 5/2009 Parker A45C 13/008
 220/324
 D609,913 S 2/2010 Landau
 D613,059 S 4/2010 Horiyama et al.
 D615,022 S 5/2010 Schanz et al.
 D622,061 S * 8/2010 Higginson D3/302
 D624,317 S 9/2010 Wenchel et al.
 7,837,053 B2 11/2010 Arnett et al.
 D629,199 S * 12/2010 Minneman D3/203.6
 D641,160 S * 7/2011 Minneman D3/203.6
 D650,585 S * 12/2011 Jamison D3/294
 8,297,464 B2 10/2012 Grenier et al.
 D712,141 S * 9/2014 Minneman D3/262
 D741,597 S * 10/2015 Minneman D3/262
 2005/0034212 A1 2/2005 Eisenbraun
 2007/0164020 A1 * 7/2007 Arnett A45C 5/02
 220/4.21
 2008/0307835 A1 12/2008 Grenier et al.

OTHER PUBLICATIONS

Five in One Survival Kit featuring a waterproof matchbox and flint striker, whistle, signaling mirror, liquid-filled compass and lanyard for sale on websites <<http://www.cabelas.com>>, <<http://ep.yimg.com>>, and <<http://www.disaster necessities.com>>. At least as early as Feb. 13, 2004.
 7 in 1! Emergency Survival Kit: Whistle + Compass + White LED Flashlight + Signalling Mirror + 5x Magnifier + Thermometer + Storage for sale on website <<http://www.wildtexas.com>>. At least as early as Jun. 23, 2009.
 Survivor Kit, Whistle, Compass, Container for sale on website <<http://www.epromos.com/product/8815468.html>>. At least as early as Jul. 1, 2006.
 Silva waterproof match-case with compass screw-top for sale on website <<http://www.campman.com/silva-match-case-p-292.html>>. At least as early as Feb. 9, 2006.
 K & M Match-case with double O-ring stopper and compass screw-top for sale on website <<http://www.kmmatchcase.com>>. At least as early as Apr. 12, 2007.
 Swiss Tech BodyGard Survivor 12-in-1 for sale on website <<http://www.microfiber-products-online.com>> and <<http://www.amazon.com>>. At least as early as Nov. 8, 2007.

* cited by examiner

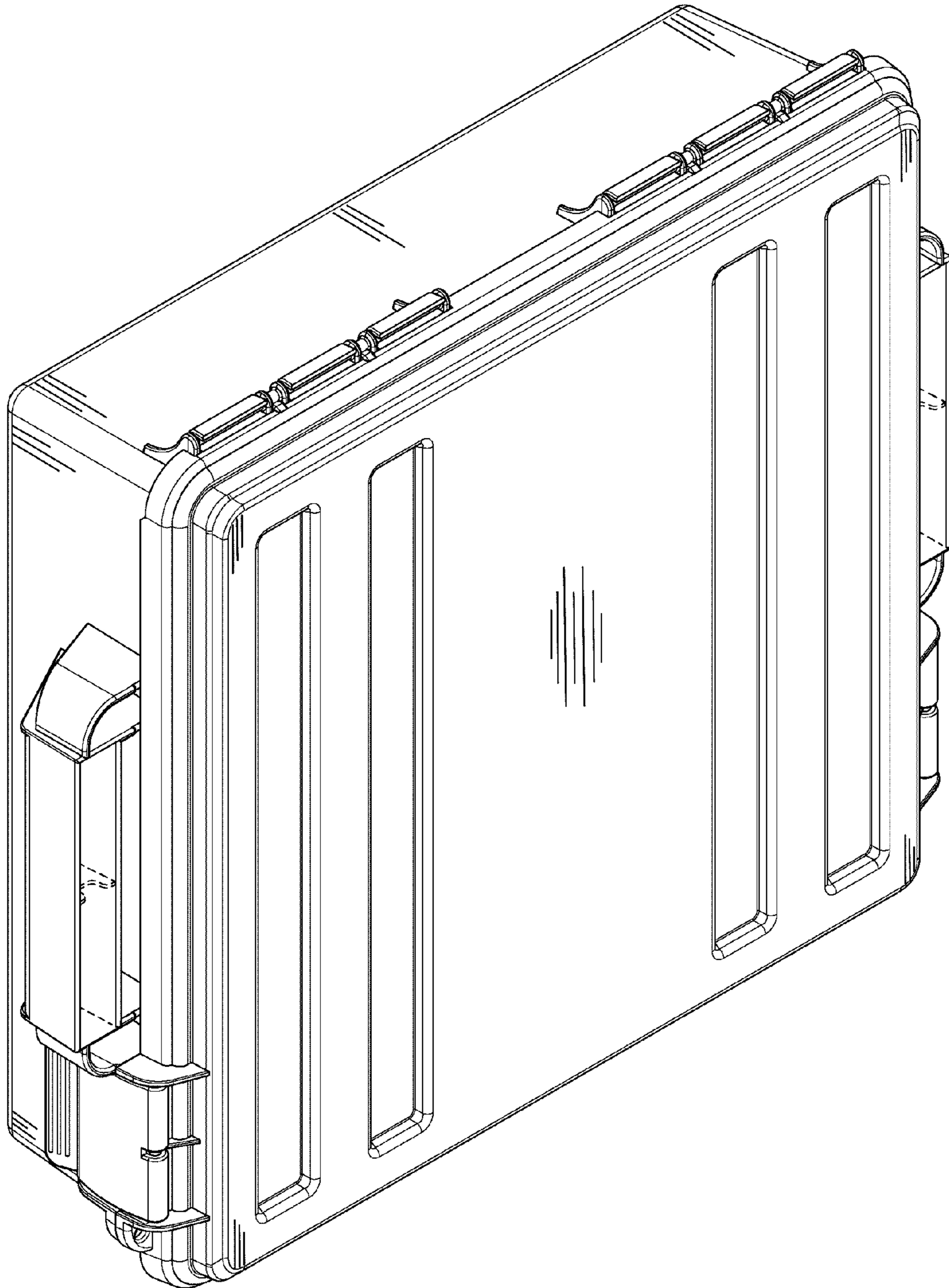


FIG. 1

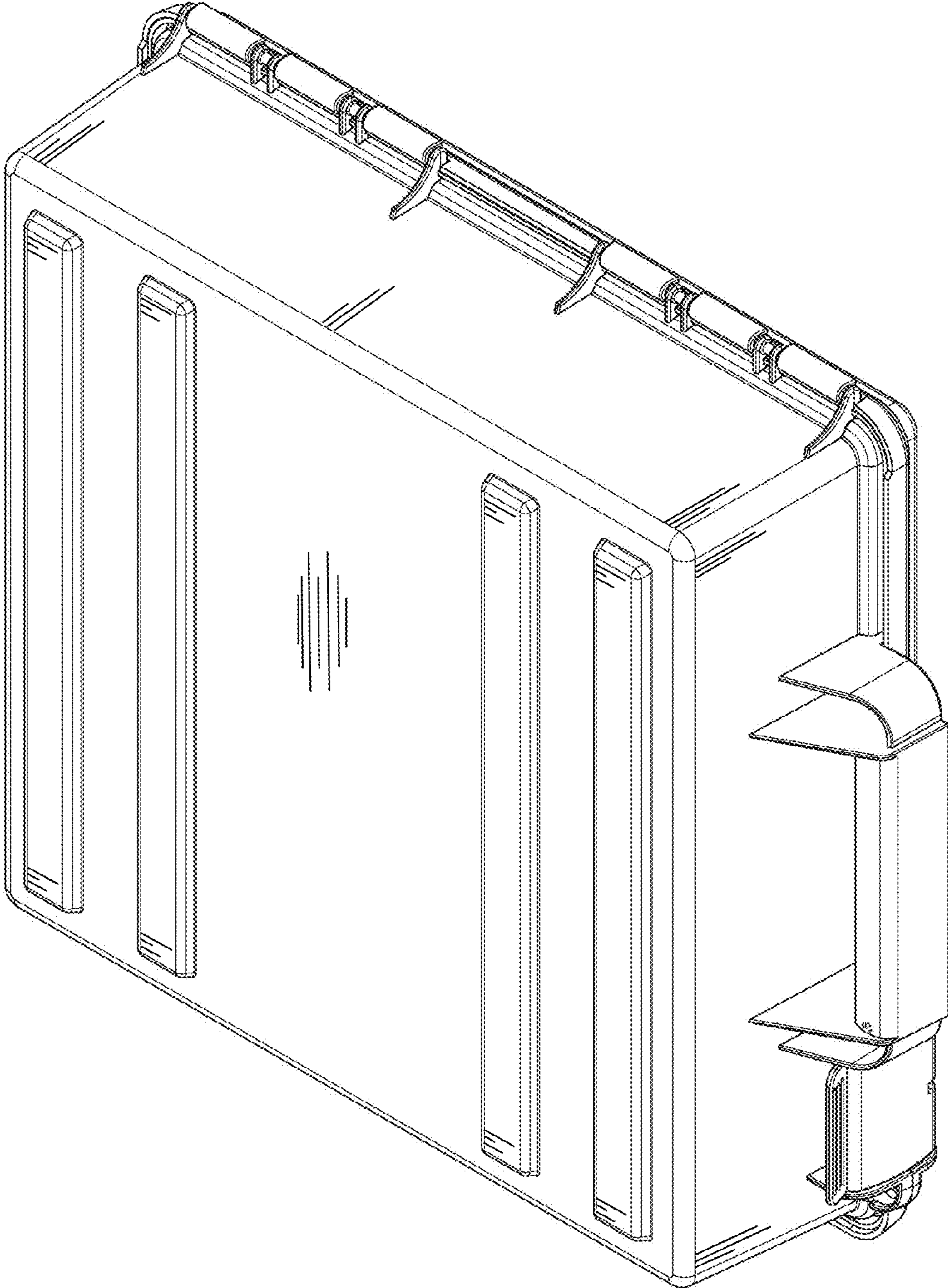


FIG. 2

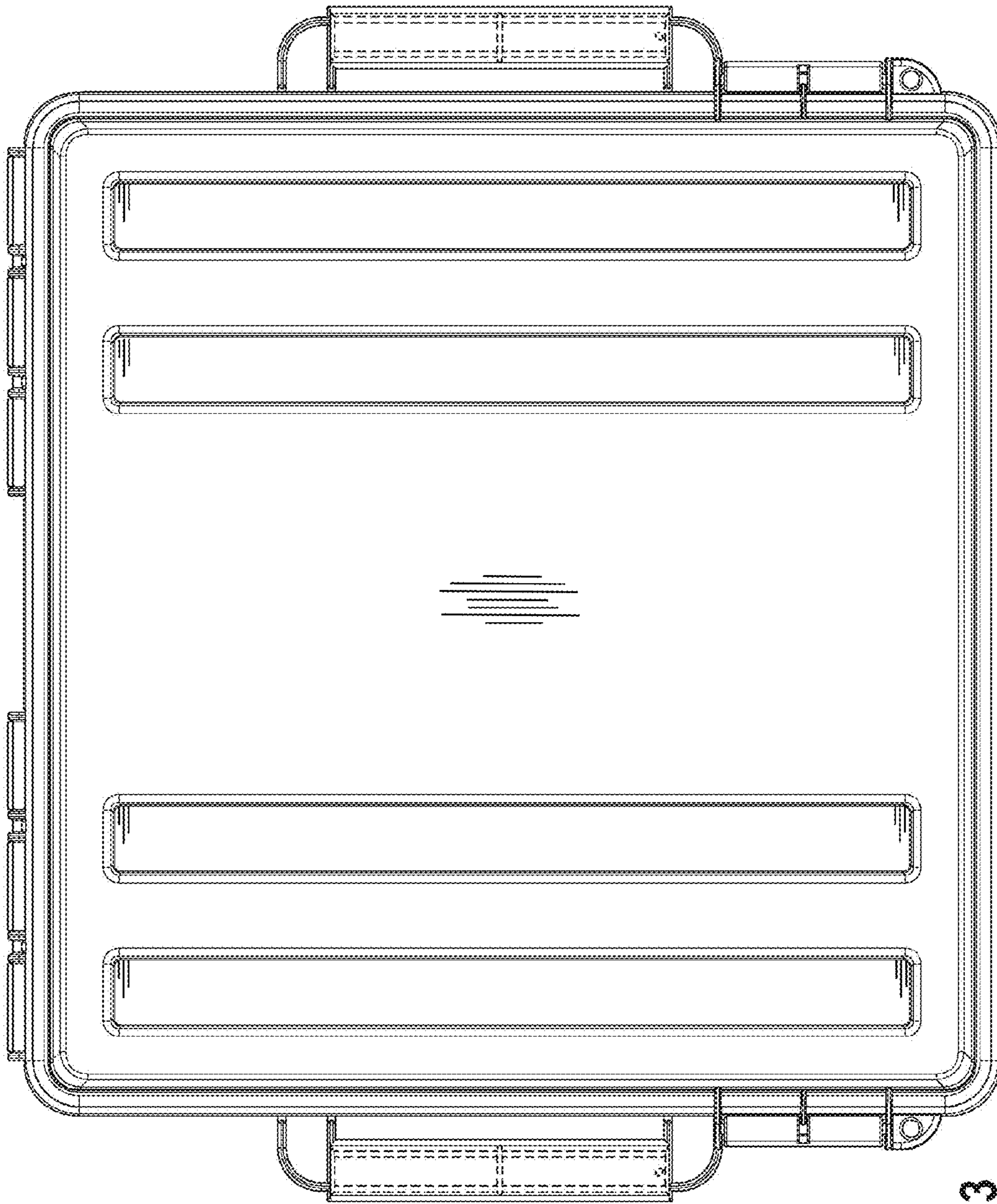


FIG. 3

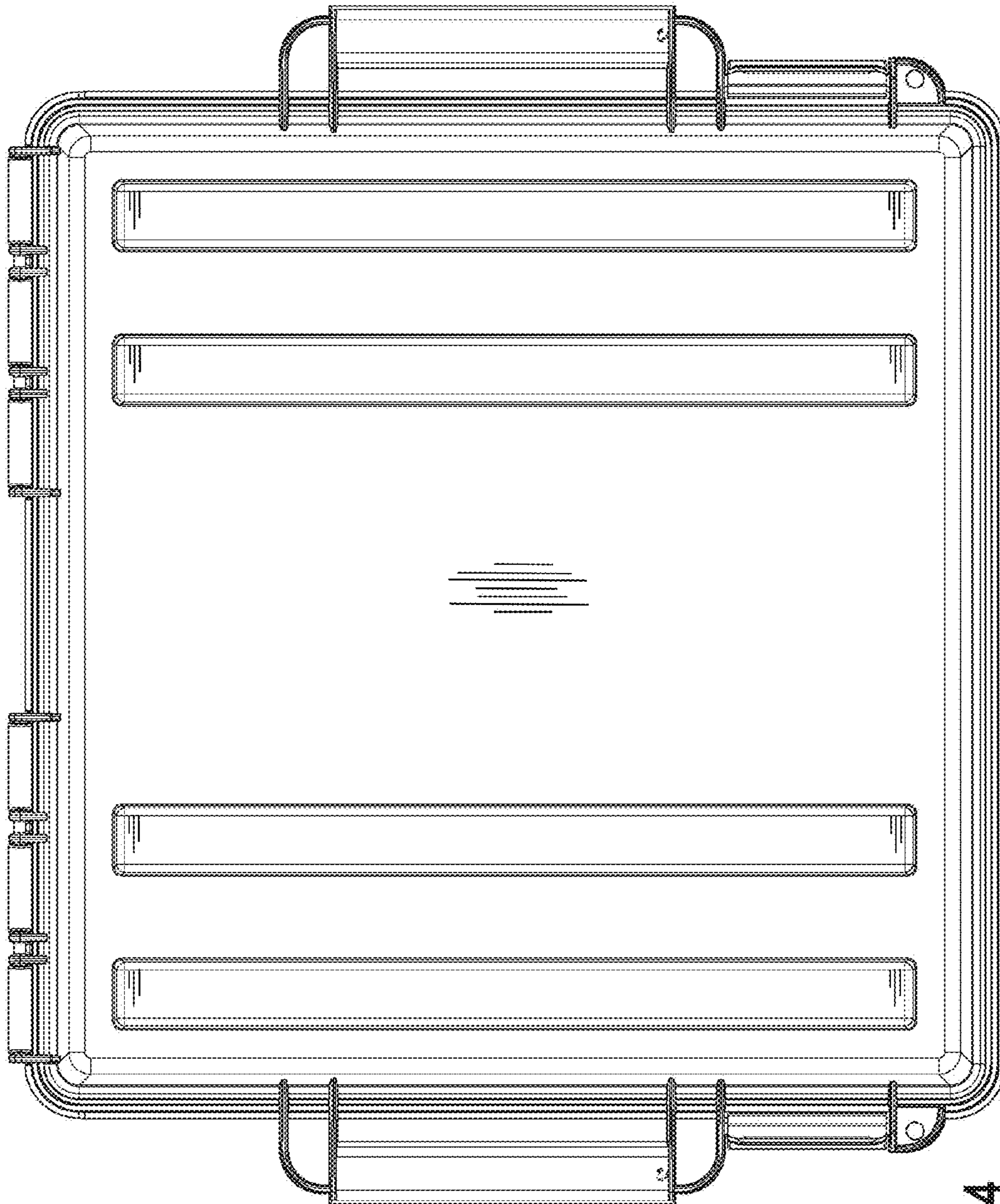


FIG. 4

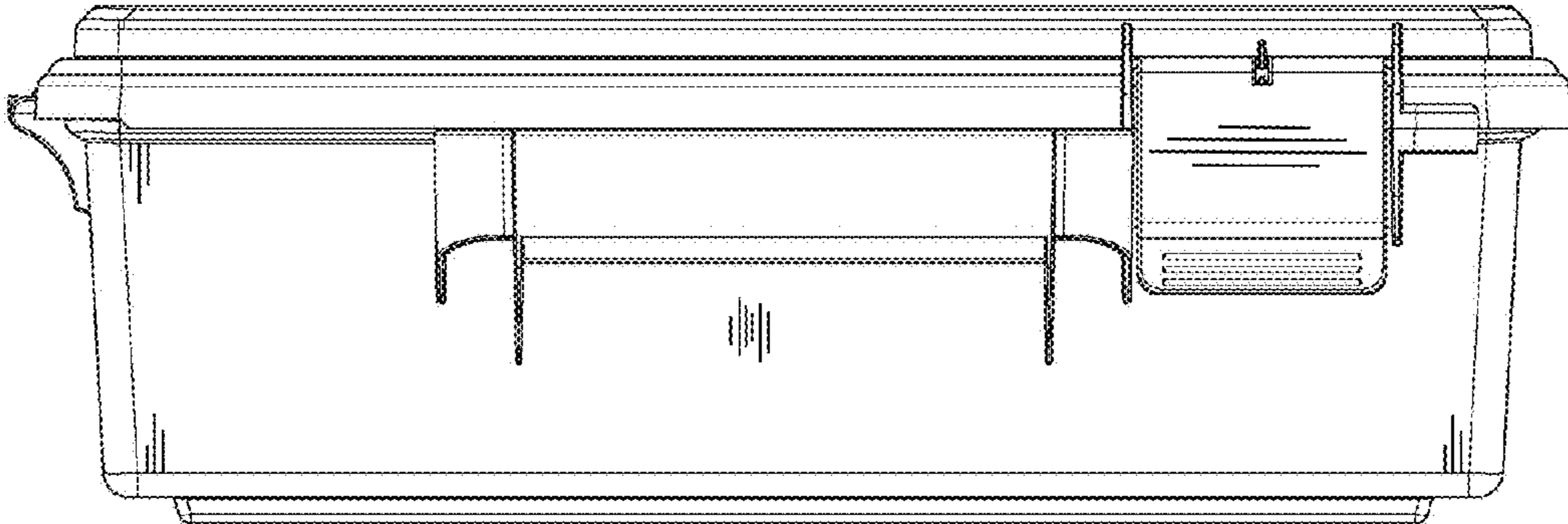


FIG. 6

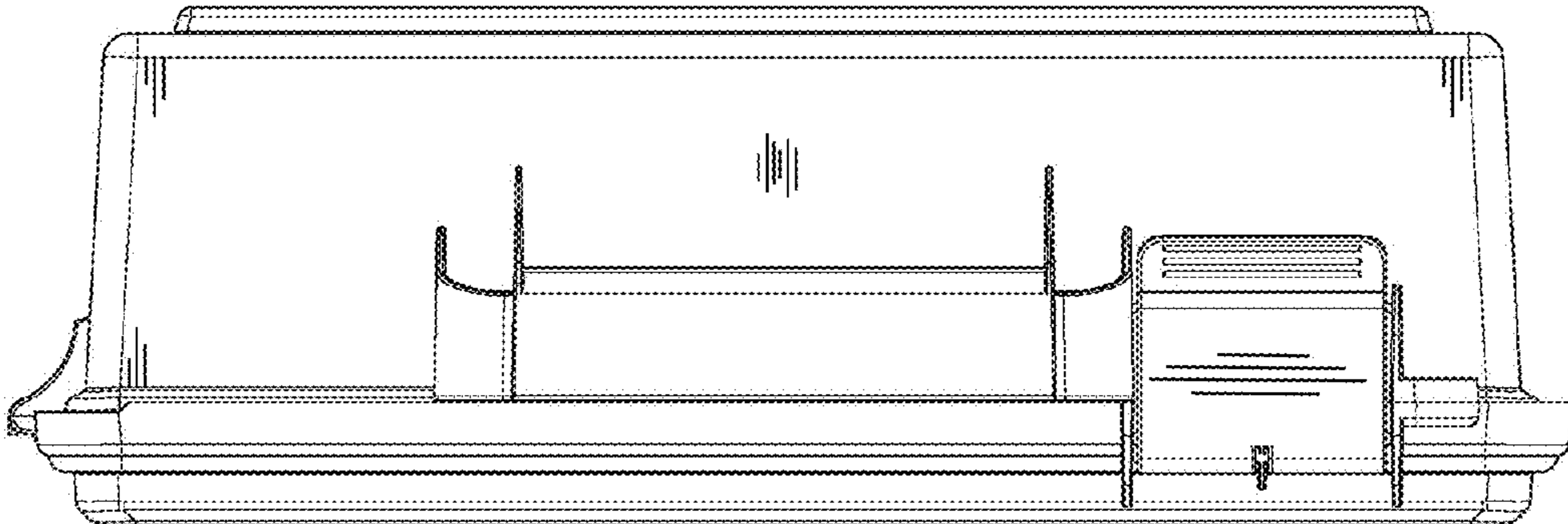


FIG. 5

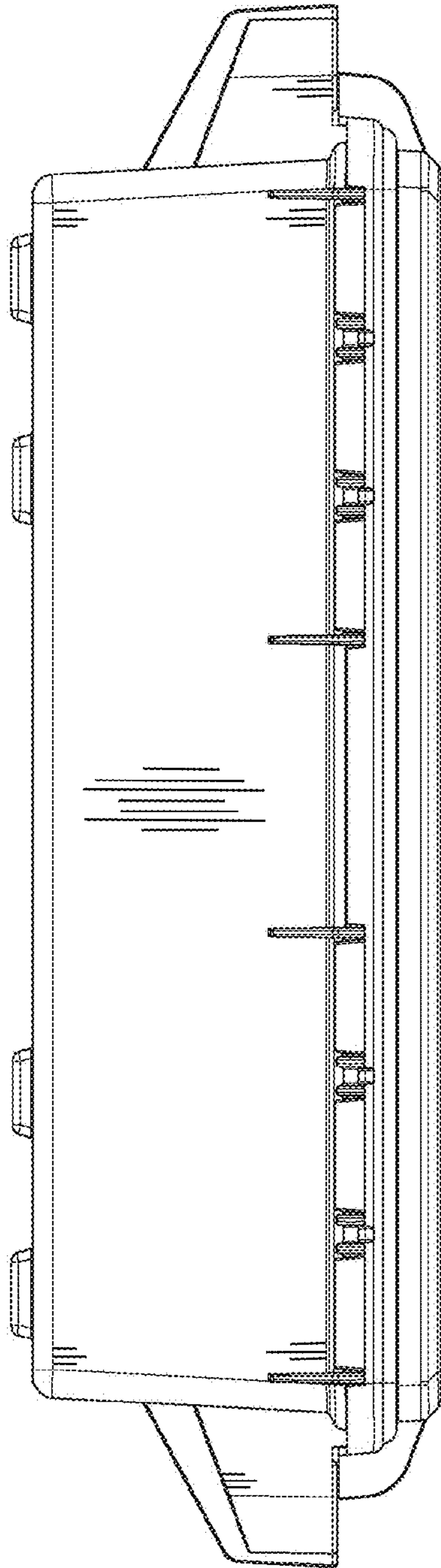


FIG. 7

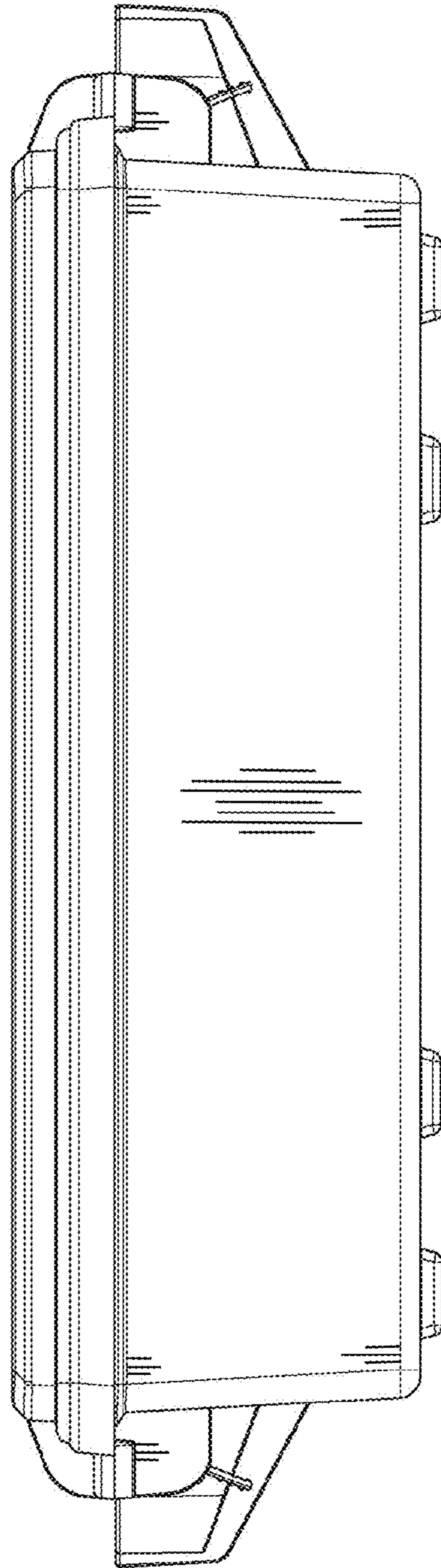


FIG. 8

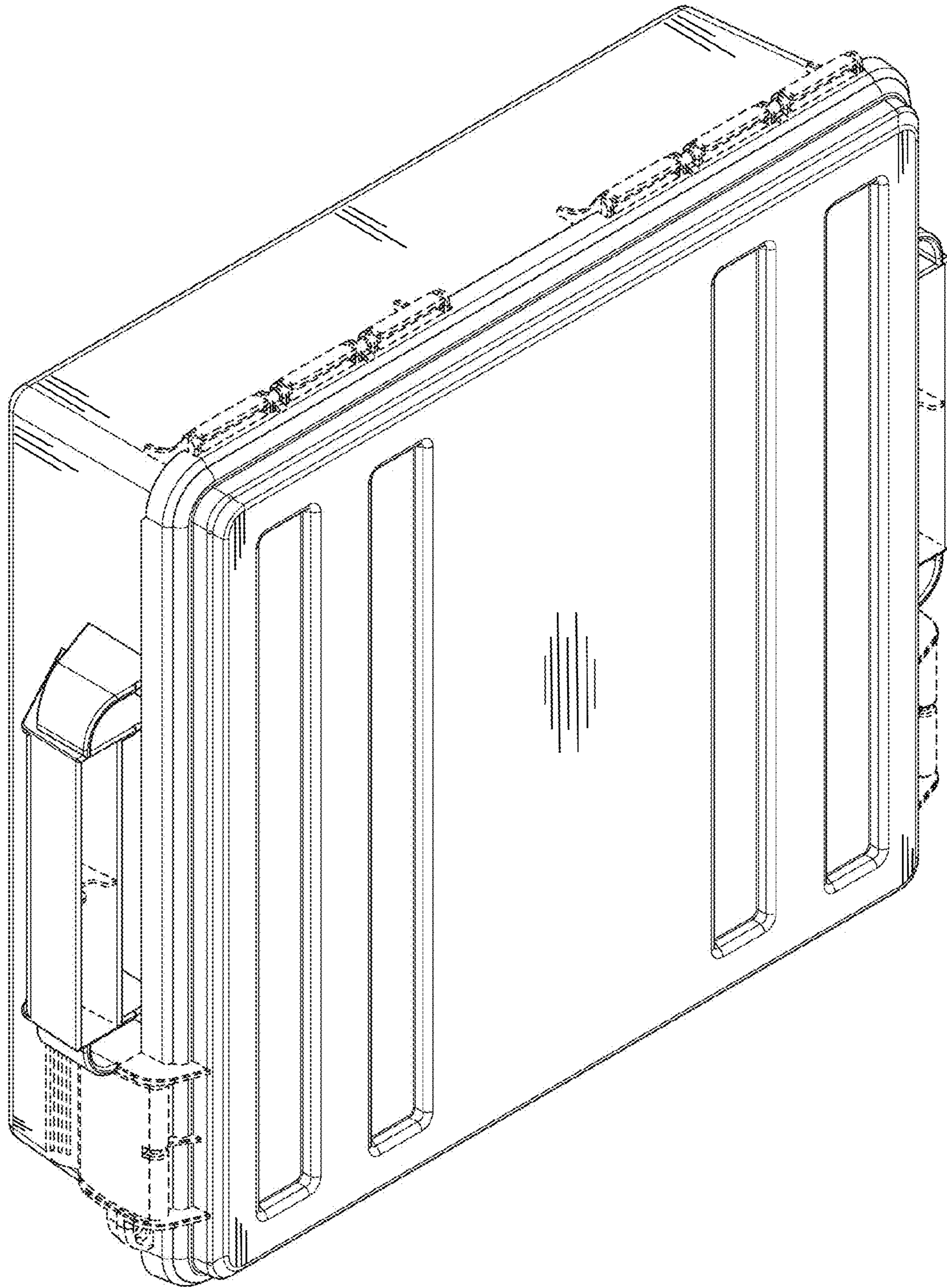


FIG. 9

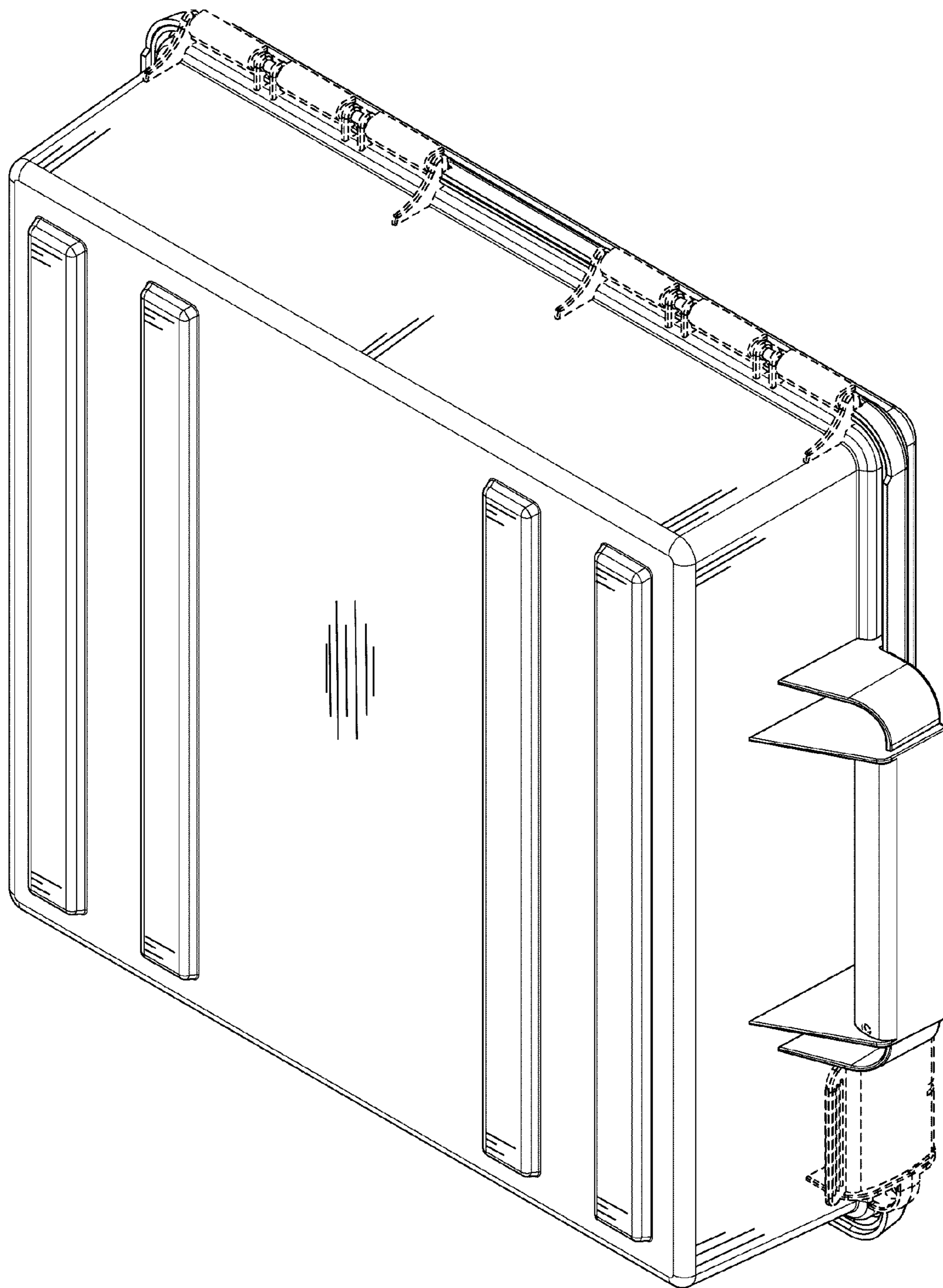


FIG. 10

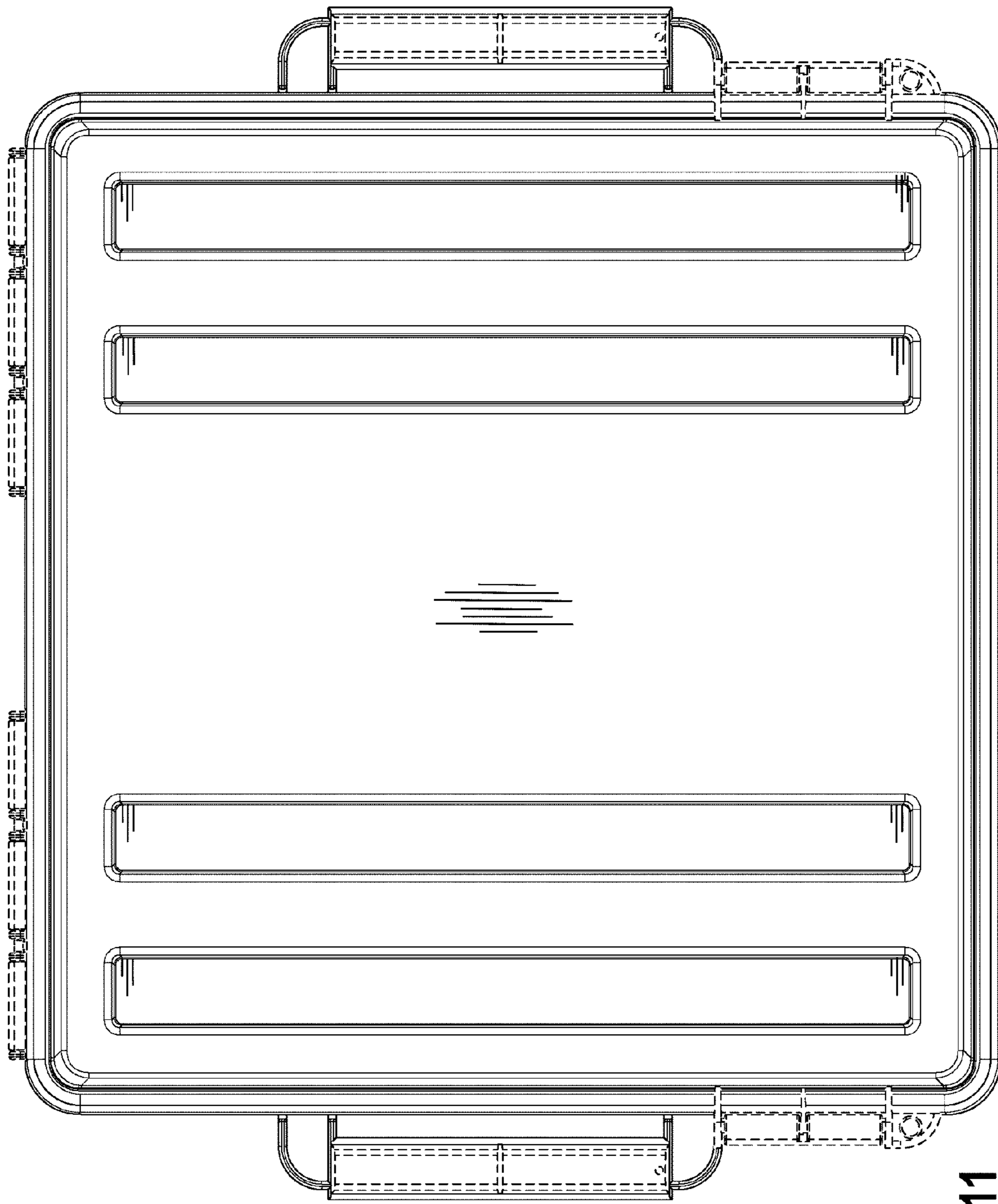


FIG. 11

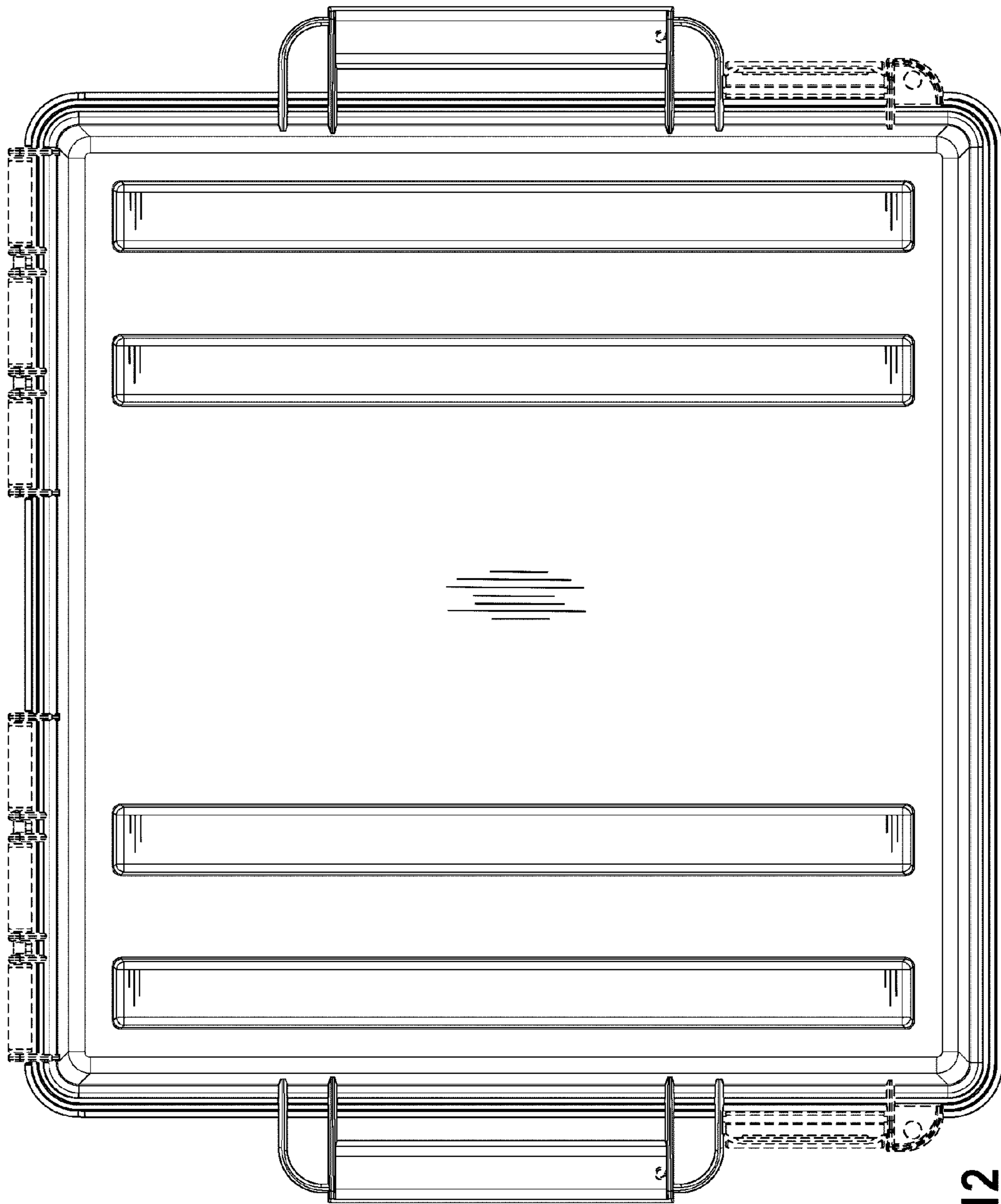


FIG. 12

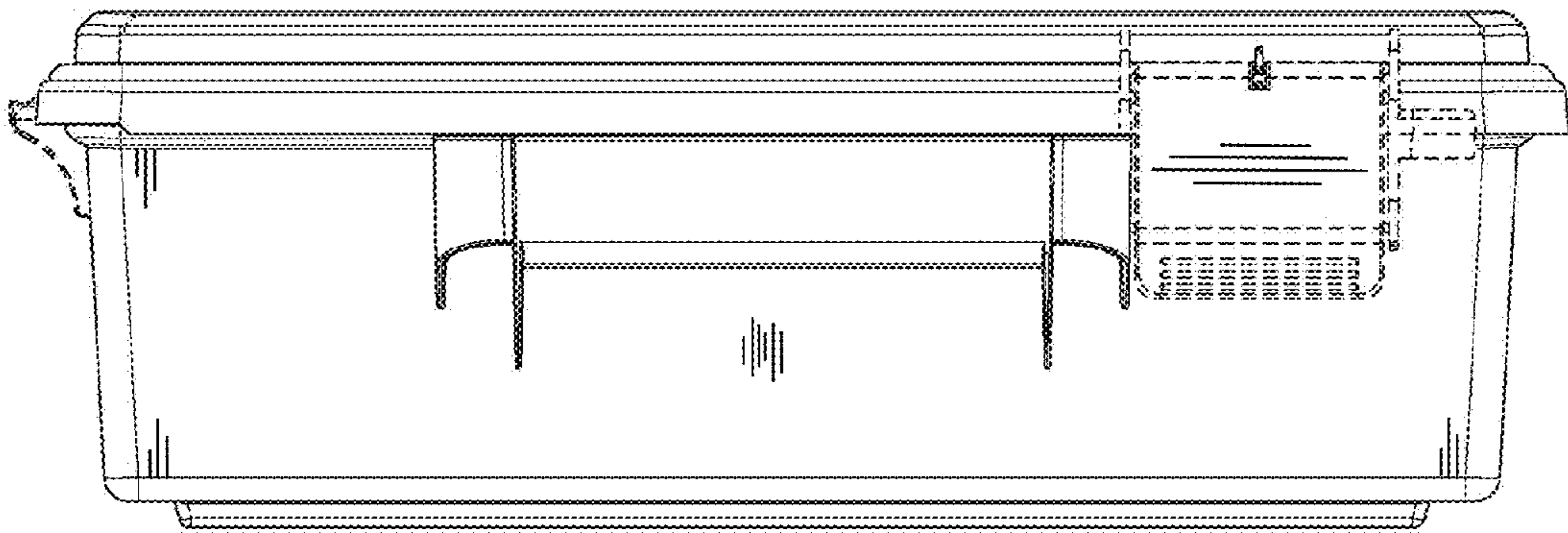


FIG. 14

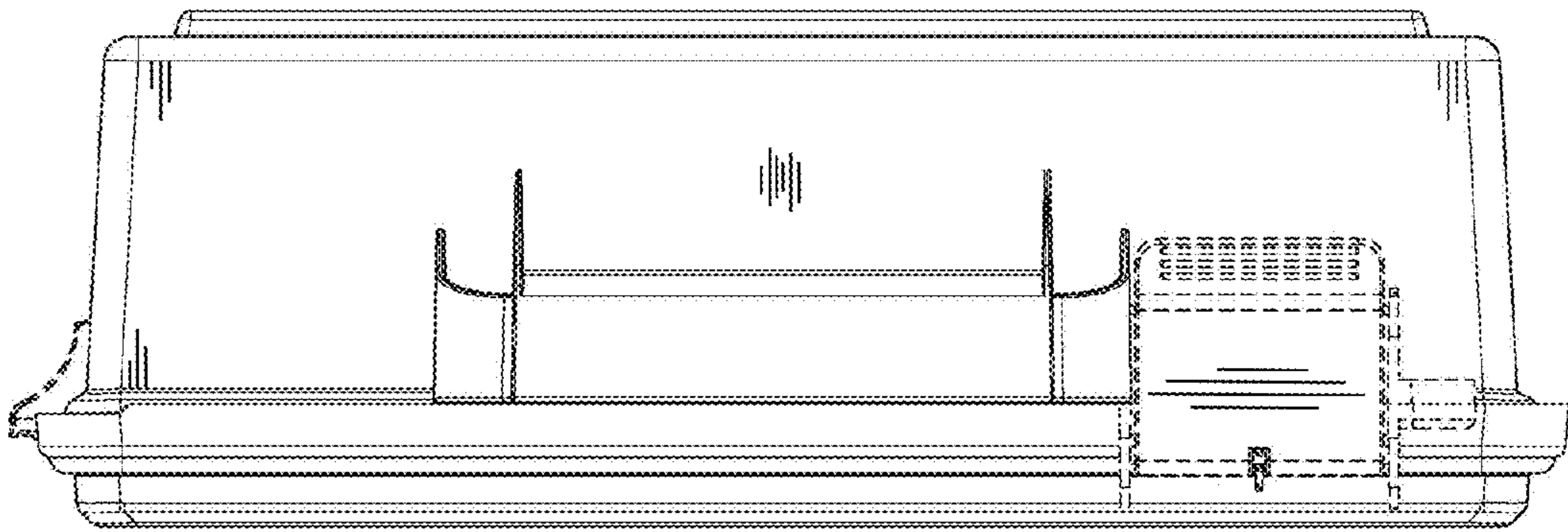


FIG. 13

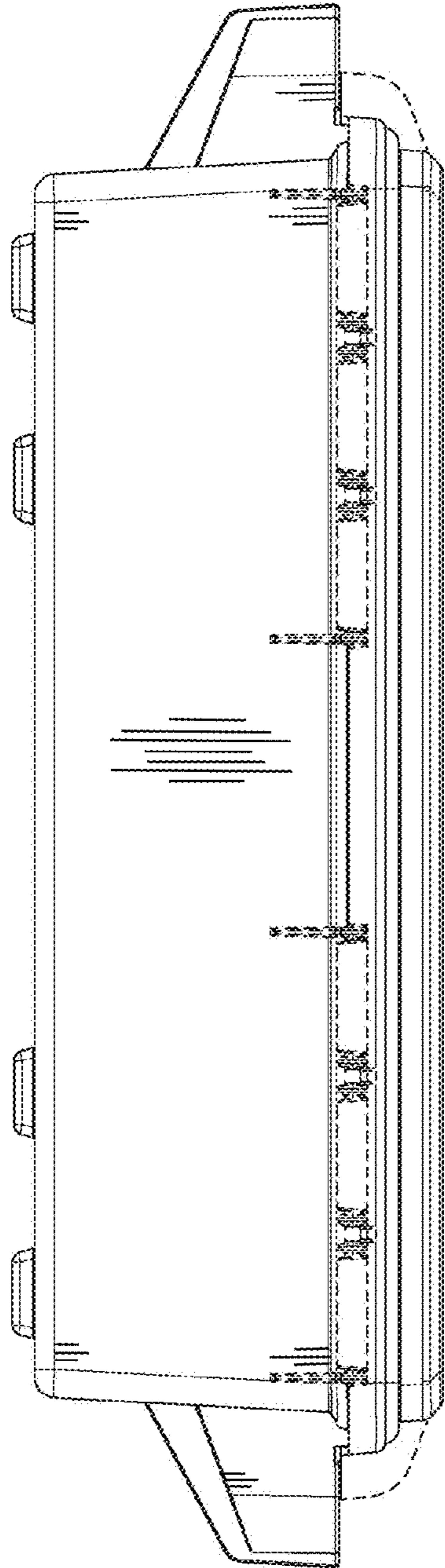


FIG. 15

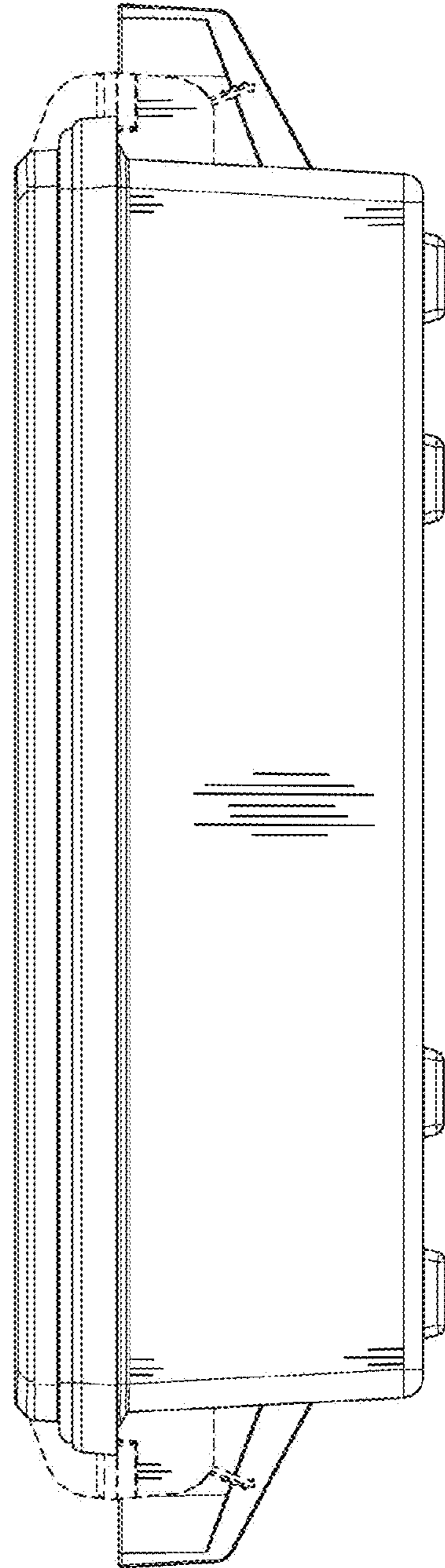


FIG. 16