



US00D771376S

(12) **United States Design Patent** (10) **Patent No.:** **US D771,376 S**
Ray (45) **Date of Patent:** **** Nov. 15, 2016**

(54) **FIREARM SUPPORT SYSTEM**

(71) Applicant: **James Mitchell Ray**, Huntsville, TX
(US)

(72) Inventor: **James Mitchell Ray**, Huntsville, TX
(US)

(**) Term: **15 Years**

(21) Appl. No.: **29/536,795**

(22) Filed: **Aug. 19, 2015**

(51) **LOC (10) Cl.** **03-01**

(52) **U.S. Cl.**
USPC **D3/222**

(58) **Field of Classification Search**
USPC D3/222, 221, 215; 42/90; 224/149-150,
224/197-198, 238, 243-244, 257, 271,
224/911-913
CPC F41C 33/02; F41C 33/001; F41C 33/002;
F41C 33/006; F41C 33/007; F41A 17/08
See application file for complete search history.

(56) **References Cited**

U.S. PATENT DOCUMENTS

1,222,264	A	4/1917	Cabanne	
2,078,010	A	4/1937	Meepos	
2,873,902	A	2/1959	Decker	
2,885,812	A	5/1959	Arpin	
3,081,923	A	3/1963	Bagby	
3,655,106	A	4/1972	Wojcinski	
4,685,237	A	8/1987	Hugg	
4,971,236	A	11/1990	Grummet	
5,325,618	A *	7/1994	Turner	F41A 17/08 224/149
6,085,951	A	7/2000	Beletsky et al.	
6,161,741	A	12/2000	French	
6,385,890	B1	5/2002	Amadini	
6,478,202	B1	11/2002	Glock	
6,520,390	B2 *	2/2003	Verdugo	F41C 33/001 224/149
6,685,067	B2	2/2004	French	

6,761,294	B2	7/2004	Gann	
D515,311	S *	2/2006	Esch	D22/108
7,841,496	B1 *	11/2010	Schweikert	F41C 33/002 224/150
7,950,551	B2 *	5/2011	Thompson	F41C 33/001 224/150
8,141,758	B2	3/2012	Spielberger	
8,613,564	B2	12/2013	Busch	
8,910,410	B2 *	12/2014	Peters	F41C 33/006 224/197
2013/0276343	A1	10/2013	Peters	

* cited by examiner

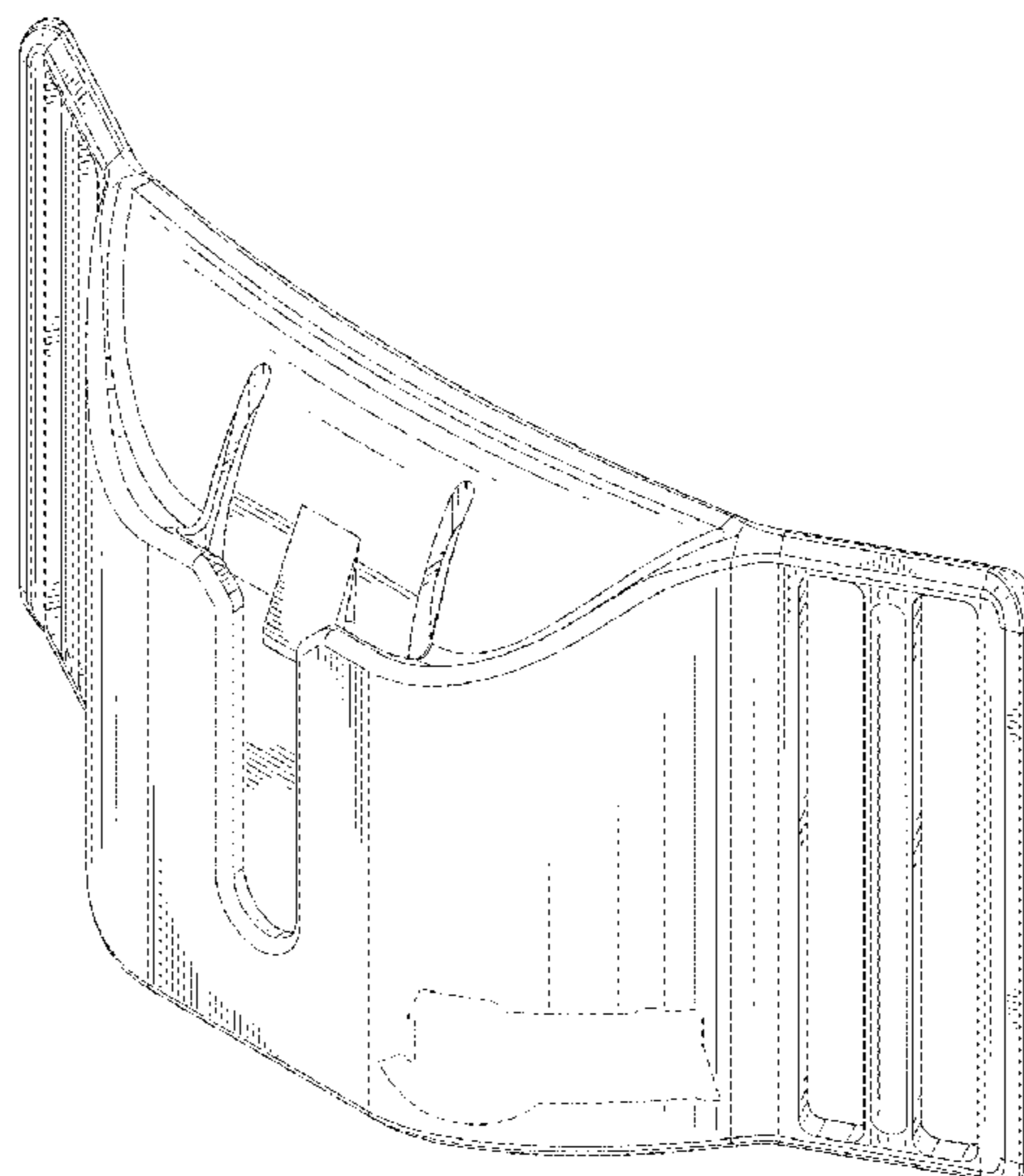
Primary Examiner — Catheri Oliver-Garcia
(74) *Attorney, Agent, or Firm* — Lightfoot & Alford
PLLC

(57) **CLAIM**
The ornamental design for the firearm support system, as shown and described.

DESCRIPTION

FIG. 1 is an oblique front right view of a firearm support system according to this disclosure;
FIG. 2 is an orthogonal front view of the firearm support system of FIG. 1.
FIG. 3 is an orthogonal rear view of the firearm support system of FIG. 1.
FIG. 4 is an orthogonal right view of the firearm support system of FIG. 1.
FIG. 5 is an orthogonal left view of the firearm support system of FIG. 1.
FIG. 6 is an orthogonal top view of the firearm support system of FIG. 1.
FIG. 7 is an orthogonal bottom view of the firearm support system of FIG. 1; and,
FIG. 8 is another oblique view of the firearm support system of FIG. 1.
The broken lines shown in the drawings are provided to show visible environmental structure and form no part of the claimed design.

1 Claim, 6 Drawing Sheets



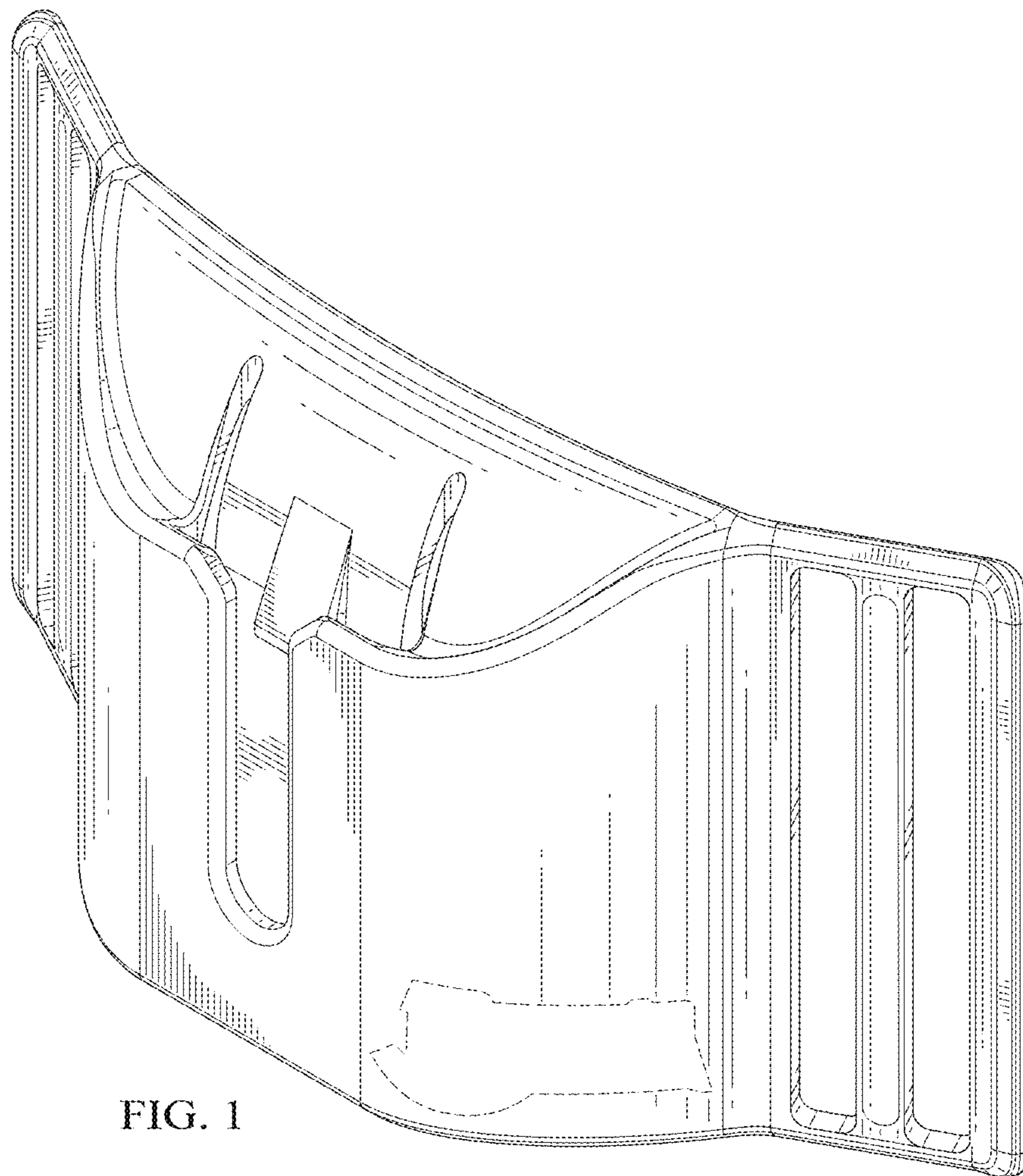


FIG. 1

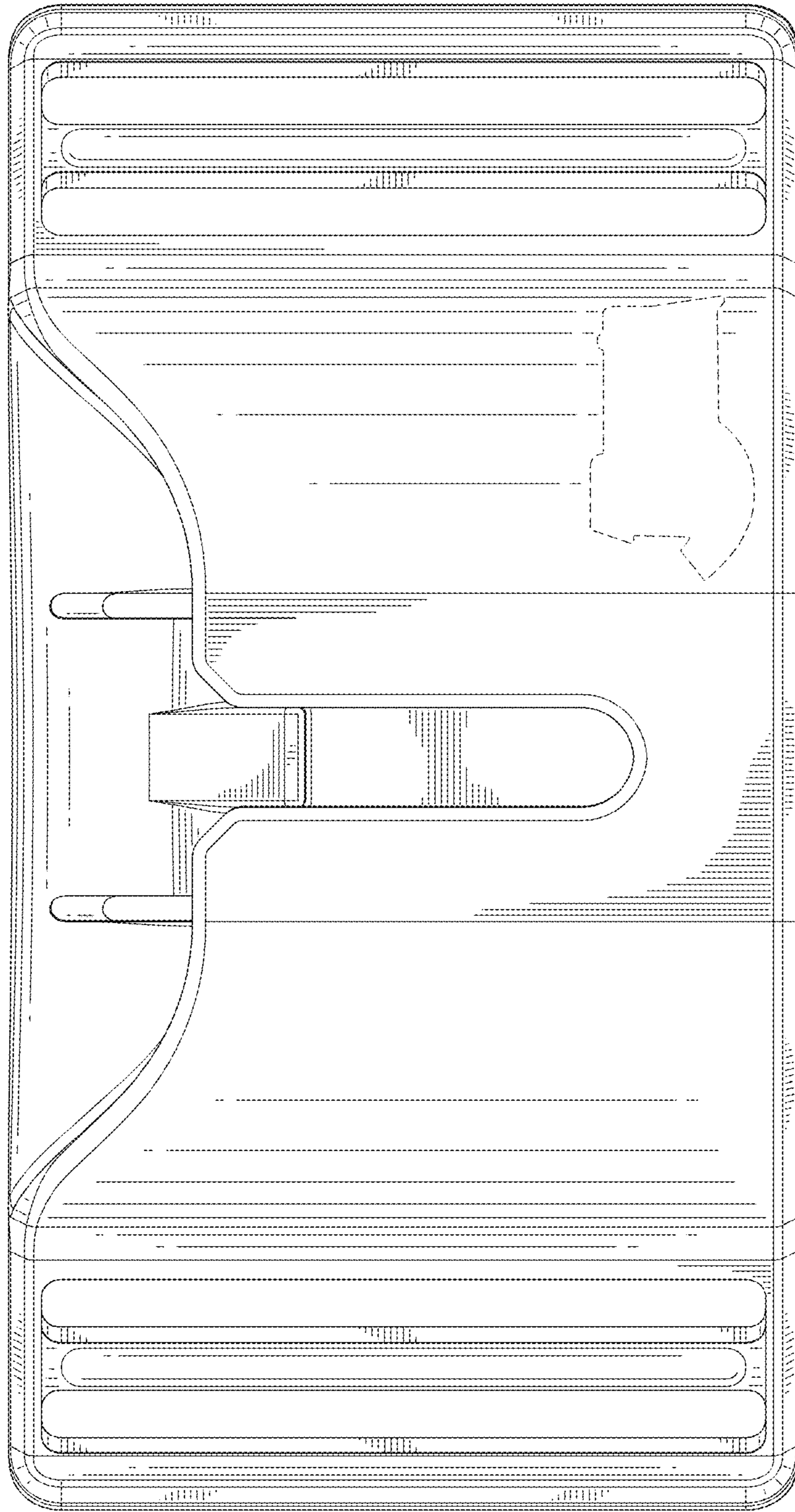


FIG. 2

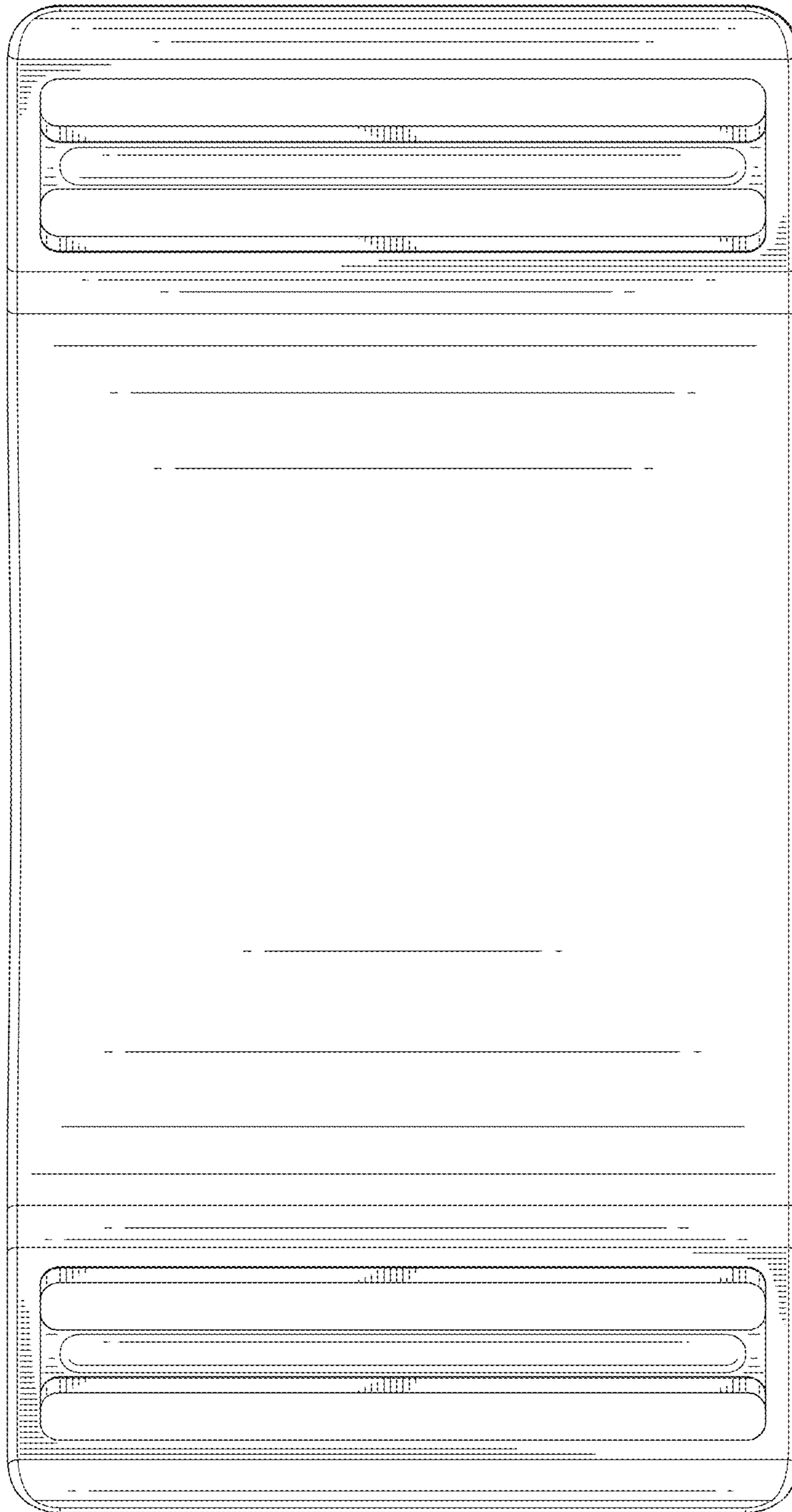


FIG. 3

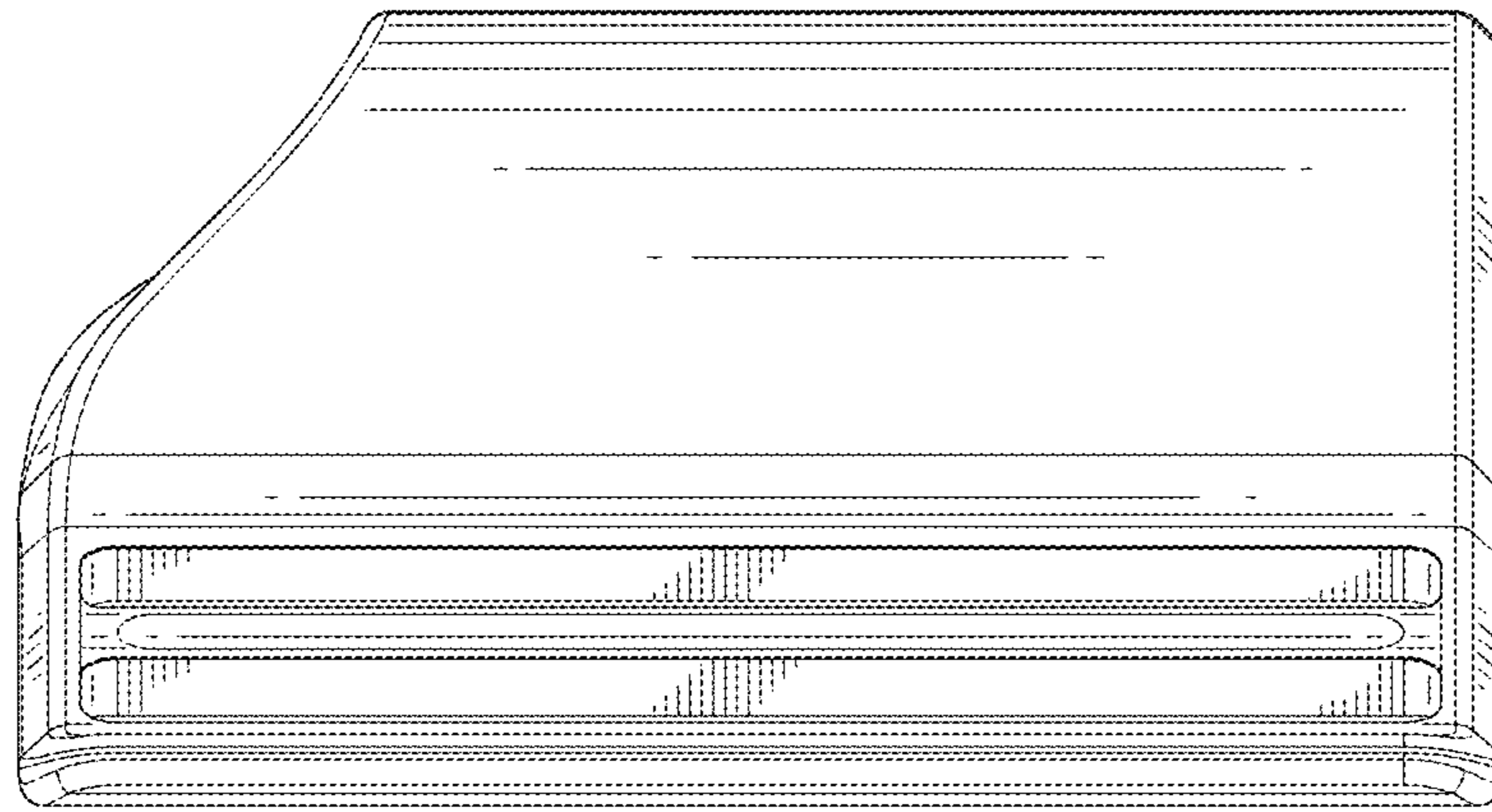


FIG. 5

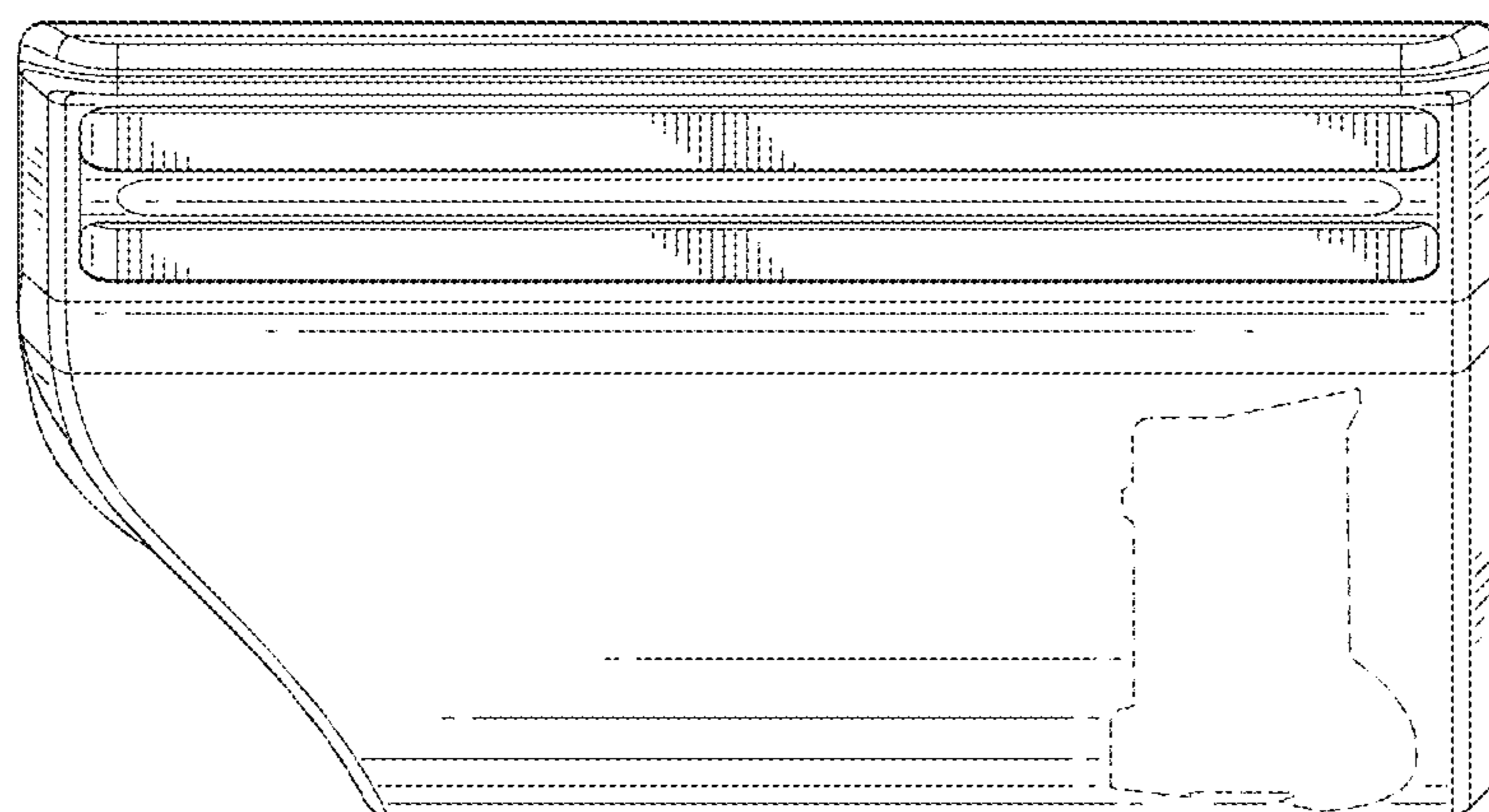


FIG. 4

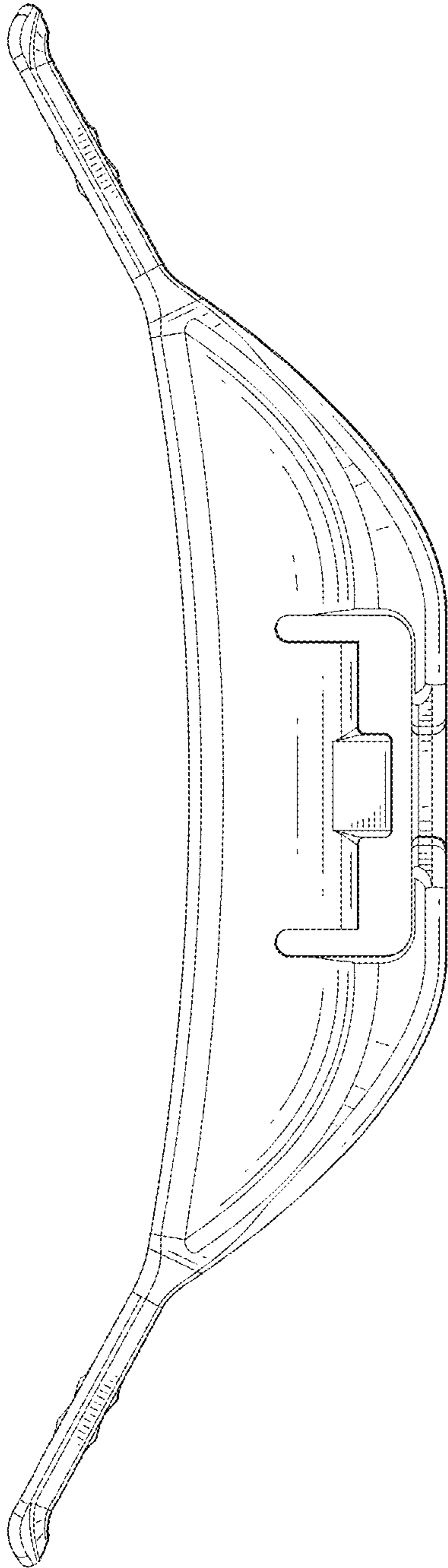


FIG. 6

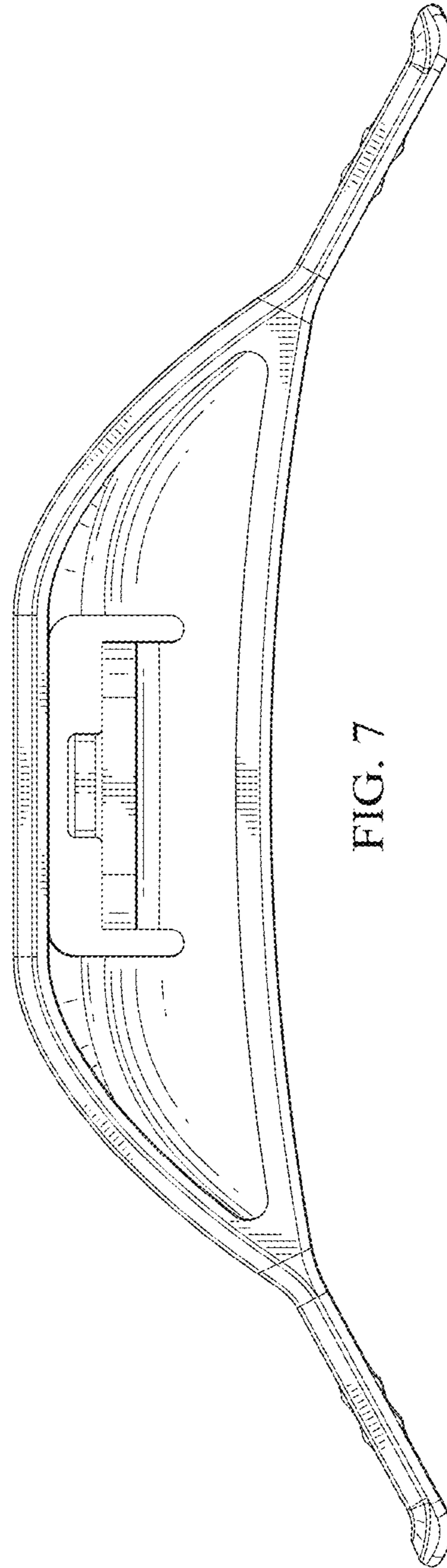


FIG. 7

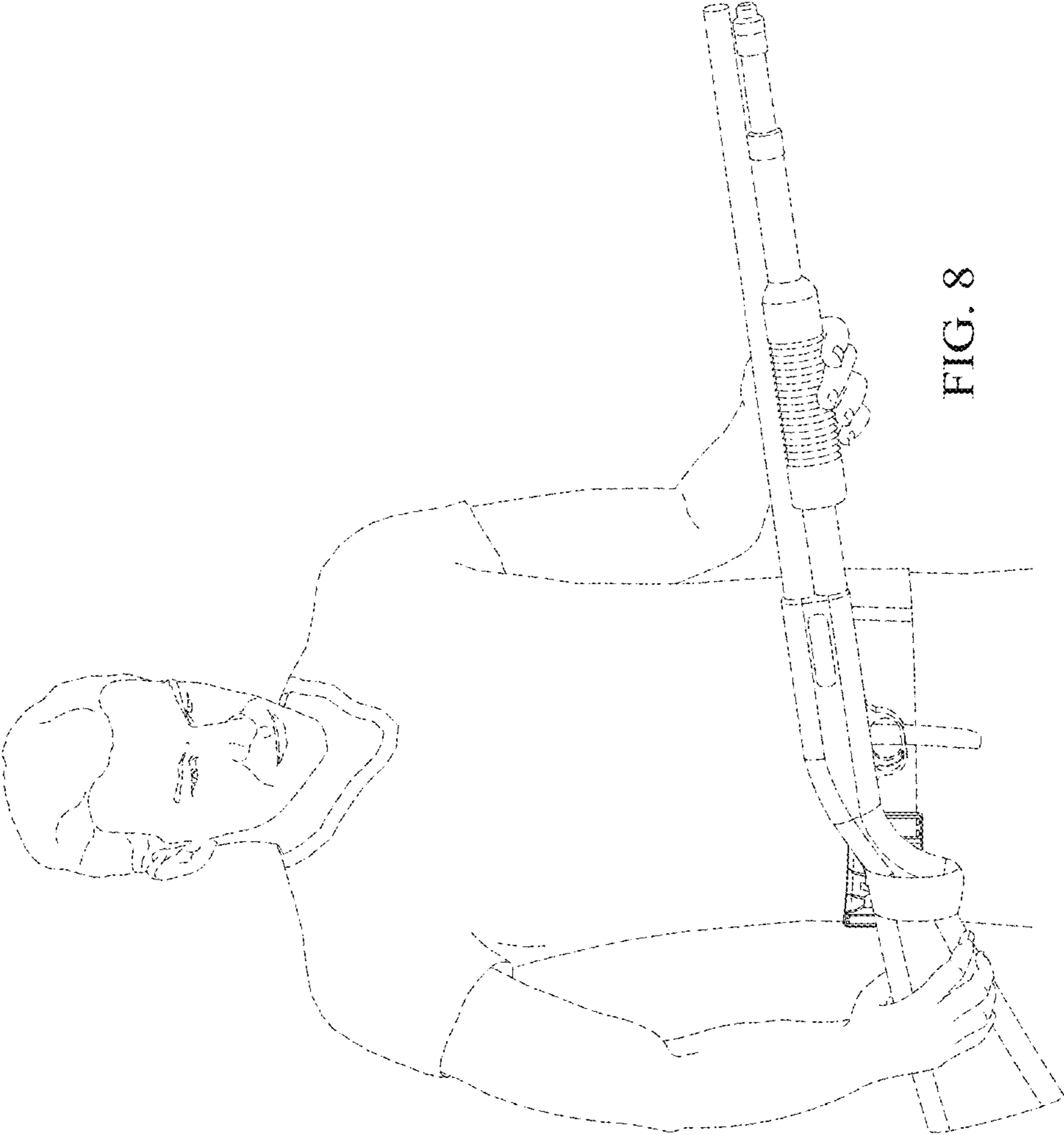


FIG. 8