



US00D771375S

(12) **United States Design Patent** (10) **Patent No.:** **US D771,375 S**
Noland (45) **Date of Patent:** **** Nov. 15, 2016**

(54) **ARROW FLETCHING CADDY**
(71) Applicant: **Joshua Noland**, Cincinnati, OH (US)
(72) Inventor: **Joshua Noland**, Cincinnati, OH (US)
(**) Term: **15 Years**
(21) Appl. No.: **29/505,183**
(22) Filed: **Jul. 10, 2015**
(51) **LOC (10) Cl.** **22-05**
(52) **U.S. Cl.**
USPC **D3/221; D3/315**
(58) **Field of Classification Search**
USPC D3/262, 221, 224, 315; D22/107
CPC F41B 5/063; F41B 5/066; Y10S 224/916
See application file for complete search history.

5,005,554 A * 4/1991 Shepley F41B 5/0026
124/24.1
D331,319 S * 12/1992 Stinson D22/107
D339,184 S * 9/1993 Warner D22/107
5,358,108 A * 10/1994 Celaya F42B 39/007
206/315.11
5,791,537 A * 8/1998 Miller A45F 3/04
224/583
D419,765 S 2/2000 Rodgers et al.
6,050,252 A * 4/2000 Etheridge F41B 5/066
124/25.5
6,328,189 B1 * 12/2001 Norden F41B 5/063
224/197
6,691,694 B2 * 2/2004 Stinson F41B 5/066
124/25.5
7,527,182 B1 * 5/2009 Sherwood A45F 5/02
224/222

* cited by examiner

Primary Examiner — Mitchell Siegel
(74) *Attorney, Agent, or Firm* — Suzanne Kikel, Patent Agent

(56) **References Cited**

U.S. PATENT DOCUMENTS

3,465,928 A * 9/1969 Osterholm F41B 5/063
124/25.7
3,591,062 A * 7/1971 Karbo F41B 5/066
124/25.7
D223,353 S * 4/1972 Adams D22/107
3,672,677 A 6/1972 Moore
3,766,954 A 10/1973 Gentellalli
4,073,328 A * 2/1978 Franklin F41B 5/063
124/25.7
D248,040 S * 5/1978 Stinson D22/107
4,156,496 A * 5/1979 Stinson F41B 5/066
124/25.7
4,252,101 A * 2/1981 Spitzke F41B 5/066
124/45
4,621,606 A * 11/1986 Toth F41B 5/066
124/24.1
4,685,438 A * 8/1987 Larson F41B 5/066
124/25.7
4,785,934 A 11/1988 Hogle
4,995,372 A * 2/1991 Topel F41B 5/066
124/25.5

(57) **CLAIM**

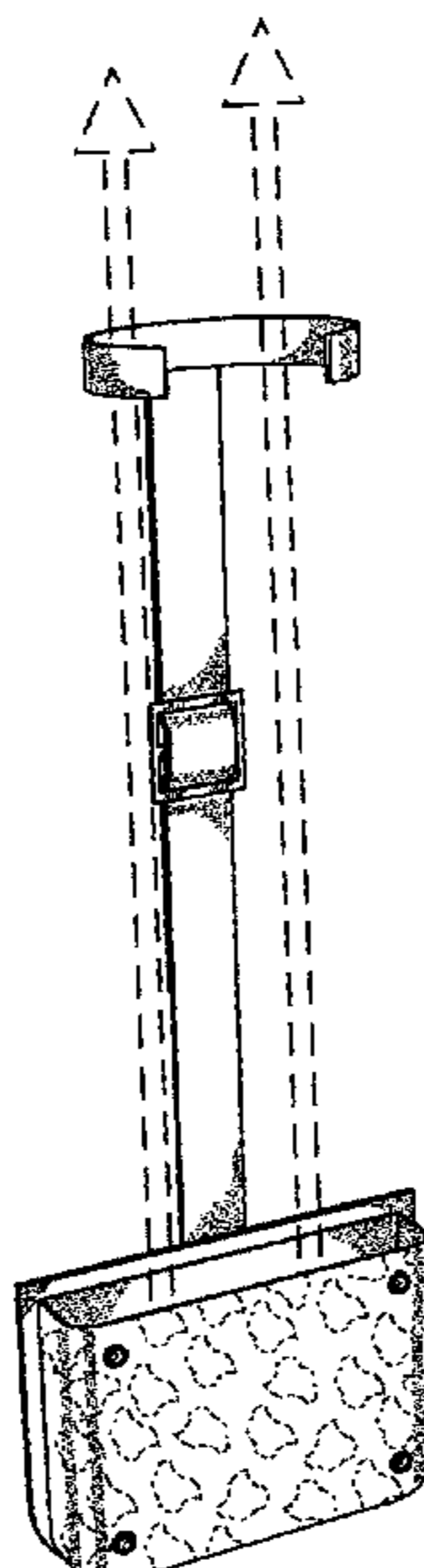
The ornamental design for an arrow fletching caddy, as shown and described.

DESCRIPTION

FIG. 1 is a perspective view of an arrow fletching caddy.
FIG. 2 is a front view thereof.
FIG. 3 is a rear view thereof.
FIG. 4 is a right side view thereof.
FIG. 5 is a left side view thereof.
FIG. 6 is a top plan view thereof; and,
FIG. 7 is a bottom plan view thereof.

The broken line showing of the arrows and camouflage design of the arrow fletching caddy in the figures is for illustrative purposes and forms no part of the claimed design.

1 Claim, 4 Drawing Sheets



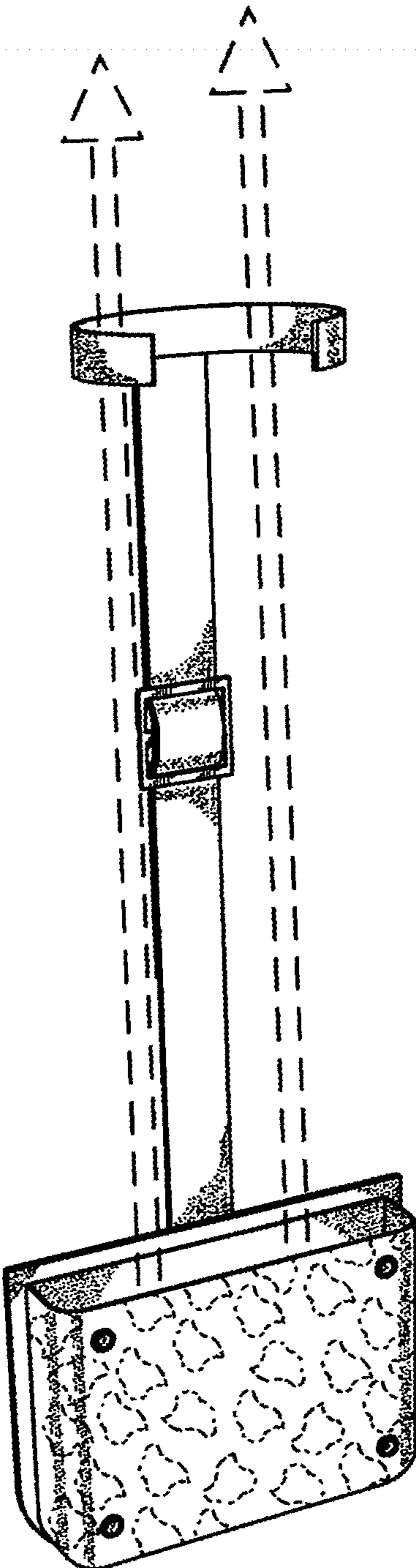


FIG.1

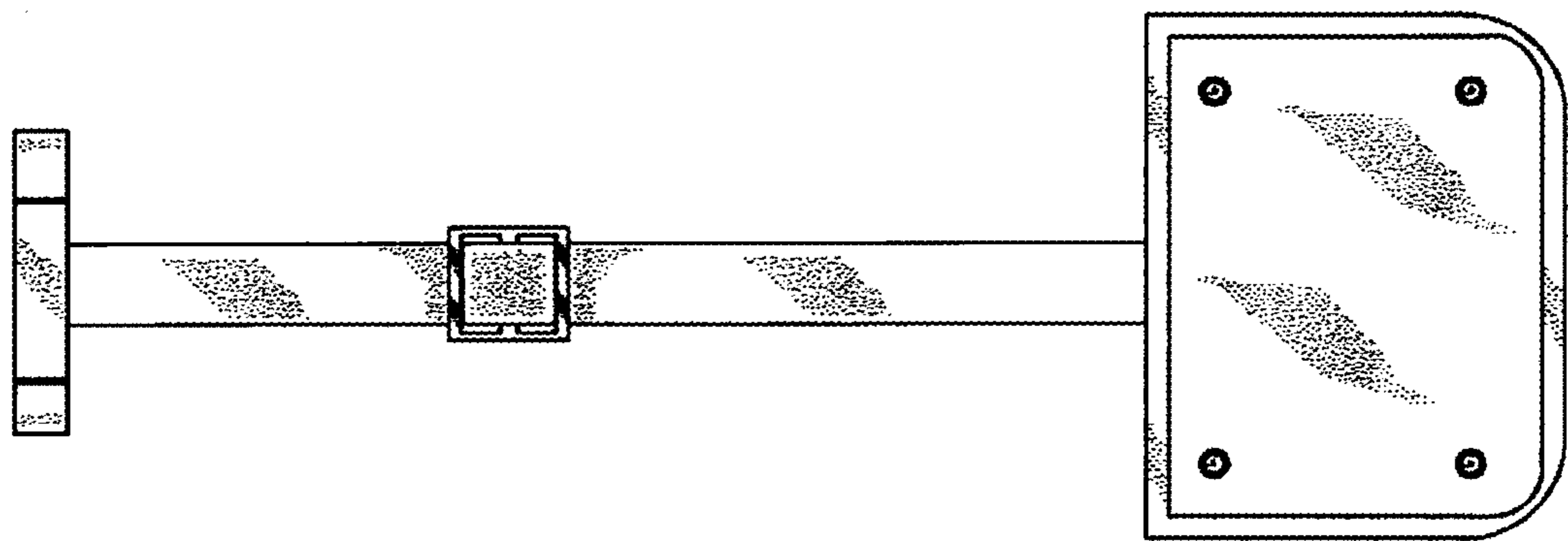
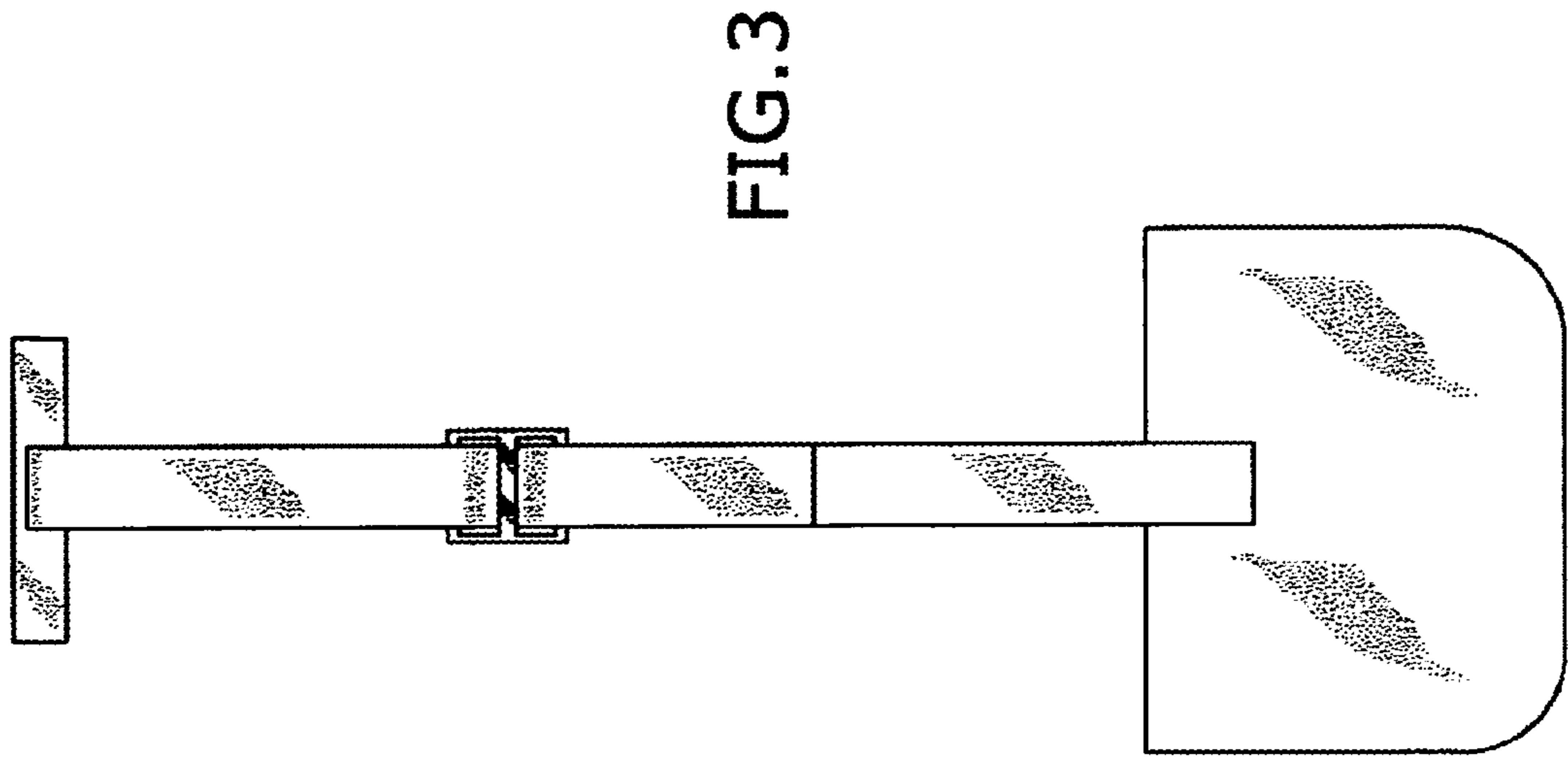


FIG. 5



FIG. 4



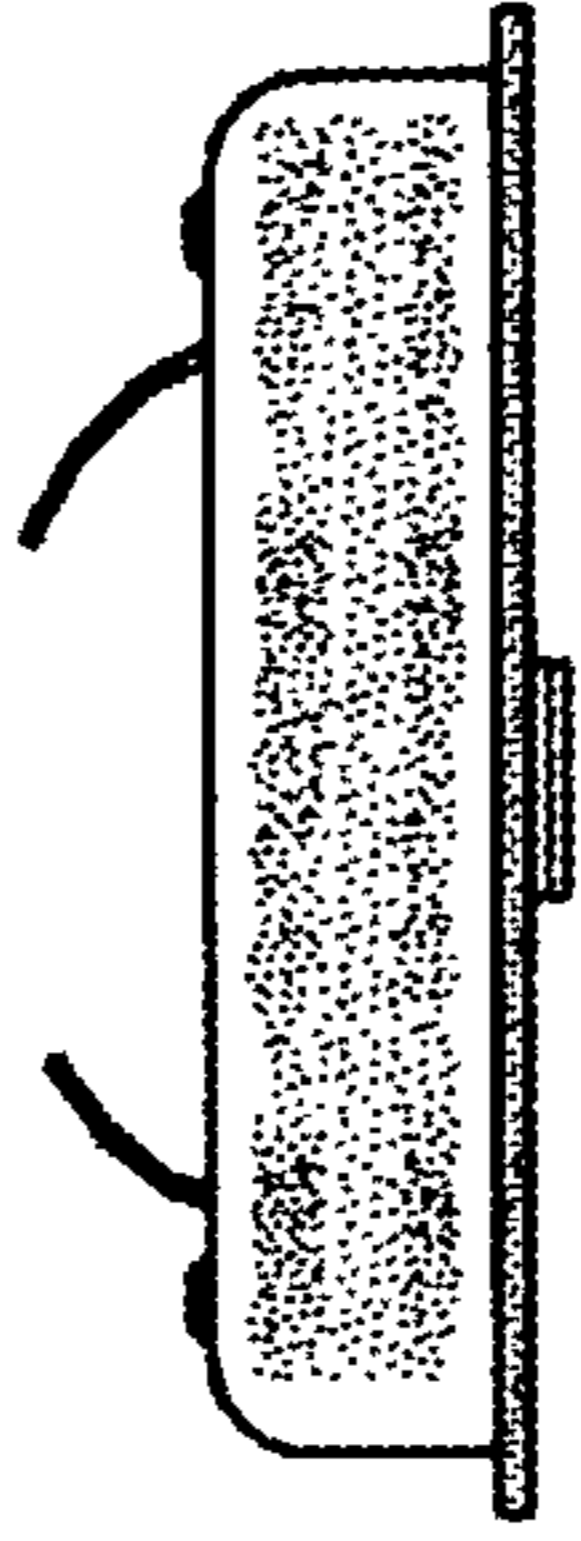


FIG. 7

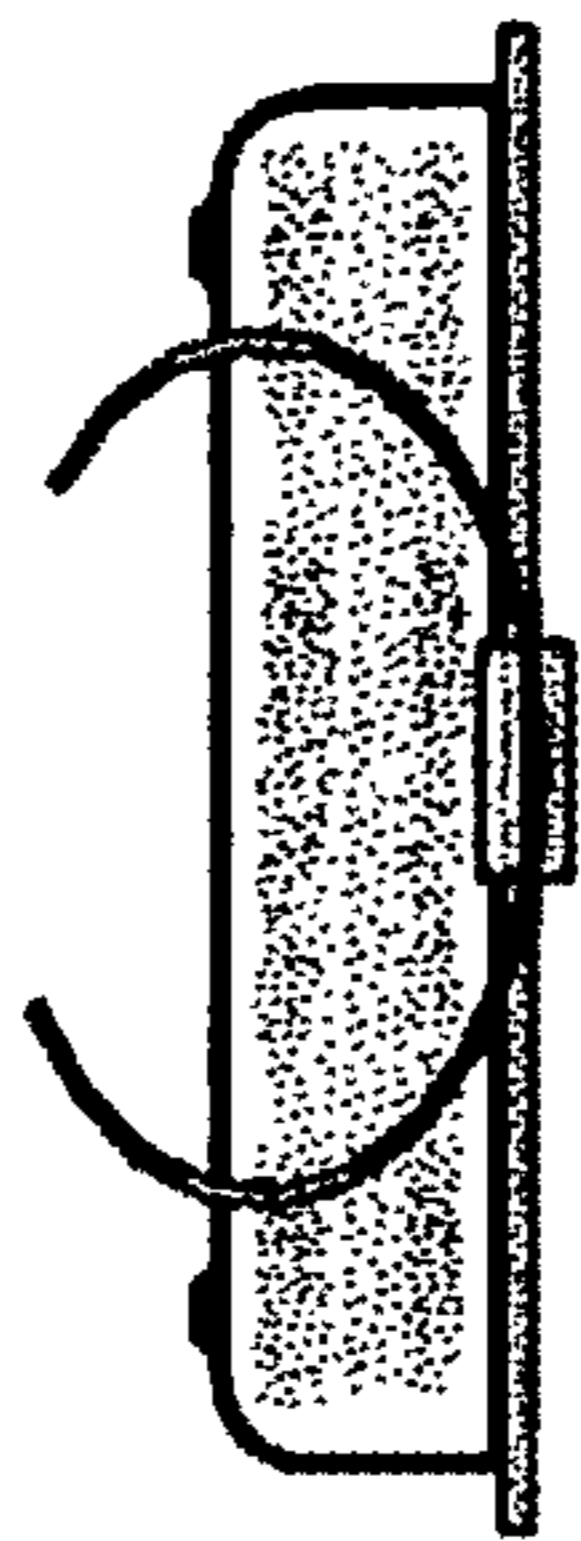


FIG. 6