



US00D771371S

(12) **United States Design Patent** (10) **Patent No.:** **US D771,371 S**
Taylor (45) **Date of Patent:** **** Nov. 15, 2016**

(54) **CLIP**
(71) Applicant: **Michael Taylor**, Savannah, GA (US)
(72) Inventor: **Michael Taylor**, Savannah, GA (US)
(**) Term: **15 Years**
(21) Appl. No.: **29/530,359**
(22) Filed: **Jun. 16, 2015**
(51) **LOC (10) Cl.** **03-01**
(52) **U.S. Cl.**
USPC **D3/215**
(58) **Field of Classification Search**
USPC D8/14, 71, 99, 394, 395; D3/215
CPC Y10T 24/13; Y10T 13/1394; B26B 1/00;
B26B 1/02; B26B 1/04; B26B 1/042; B26B
1/044; B26B 1/10
See application file for complete search history.

D596,914 S * 7/2009 Huang D8/99
D597,827 S * 8/2009 Brassard D8/395
7,574,804 B2 * 8/2009 Bezold B26B 3/06
30/151
D633,739 S * 3/2011 Hamdia D3/215
D670,903 S * 11/2012 Ormsbee D3/215
D728,922 S 5/2015 Taylor
2006/0260137 A1 * 11/2006 Flagg B26B 1/044
30/160

* cited by examiner
Primary Examiner — Phillip S Hyder
(74) *Attorney, Agent, or Firm* — Maier & Maier, PLLC

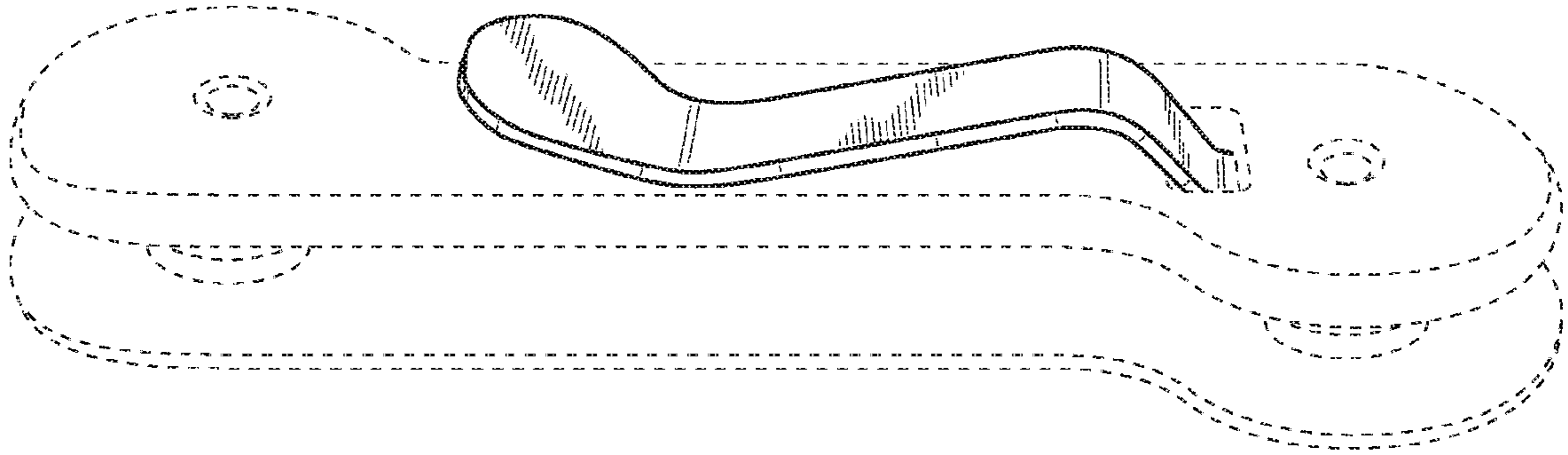
(57) **CLAIM**
The ornamental design for a clip, as shown and described.

DESCRIPTION

FIG. 1 is a perspective view of a clip, showing my design;
FIG. 2 is a top plan view thereof;
FIG. 3 is a bottom plan view thereof;
FIG. 4 is a front elevation view thereof;
FIG. 5 is a rear elevation view thereof;
FIG. 6 is a left end elevation view thereof; and,
FIG. 7 is a right end elevation view thereof.
The broken lines shown in the Figures illustrate environment
and form no part of the claimed design.

1 Claim, 4 Drawing Sheets

(56) **References Cited**
U.S. PATENT DOCUMENTS
D402,177 S * 12/1998 Glesser D8/99
6,688,003 B2 * 2/2004 Scarla B26B 1/02
30/156
D487,628 S * 3/2004 Mathews D3/215
D494,437 S * 8/2004 Scarla D8/99
D514,310 S * 2/2006 Roye D3/207
D517,892 S * 3/2006 Galyean D8/17
D575,614 S * 8/2008 Galyean D8/99



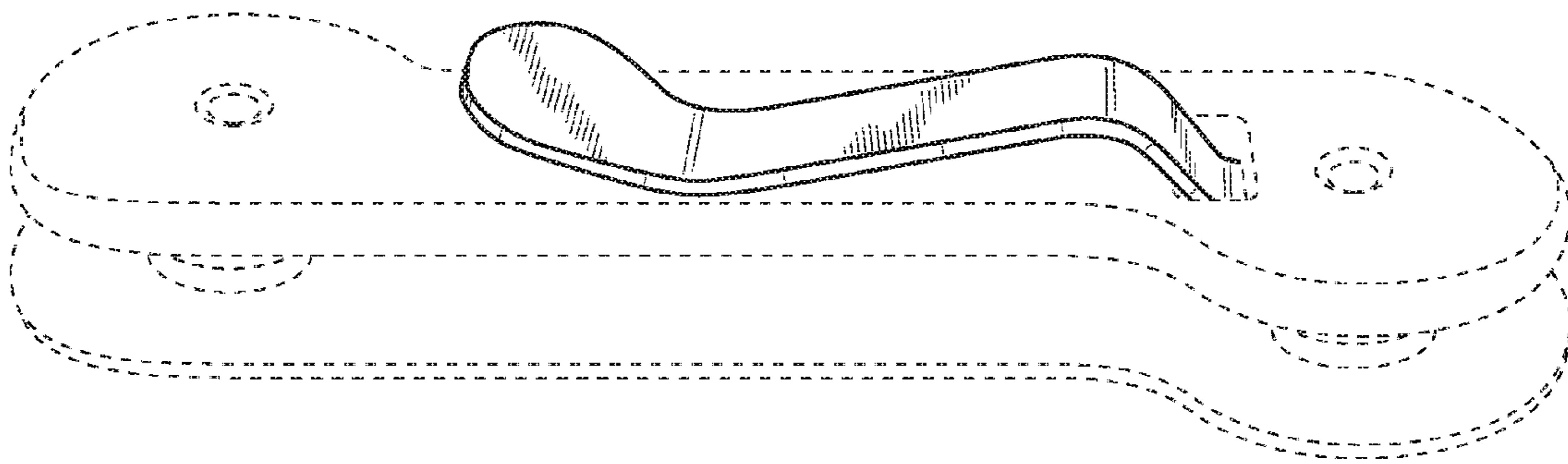


Fig. 1

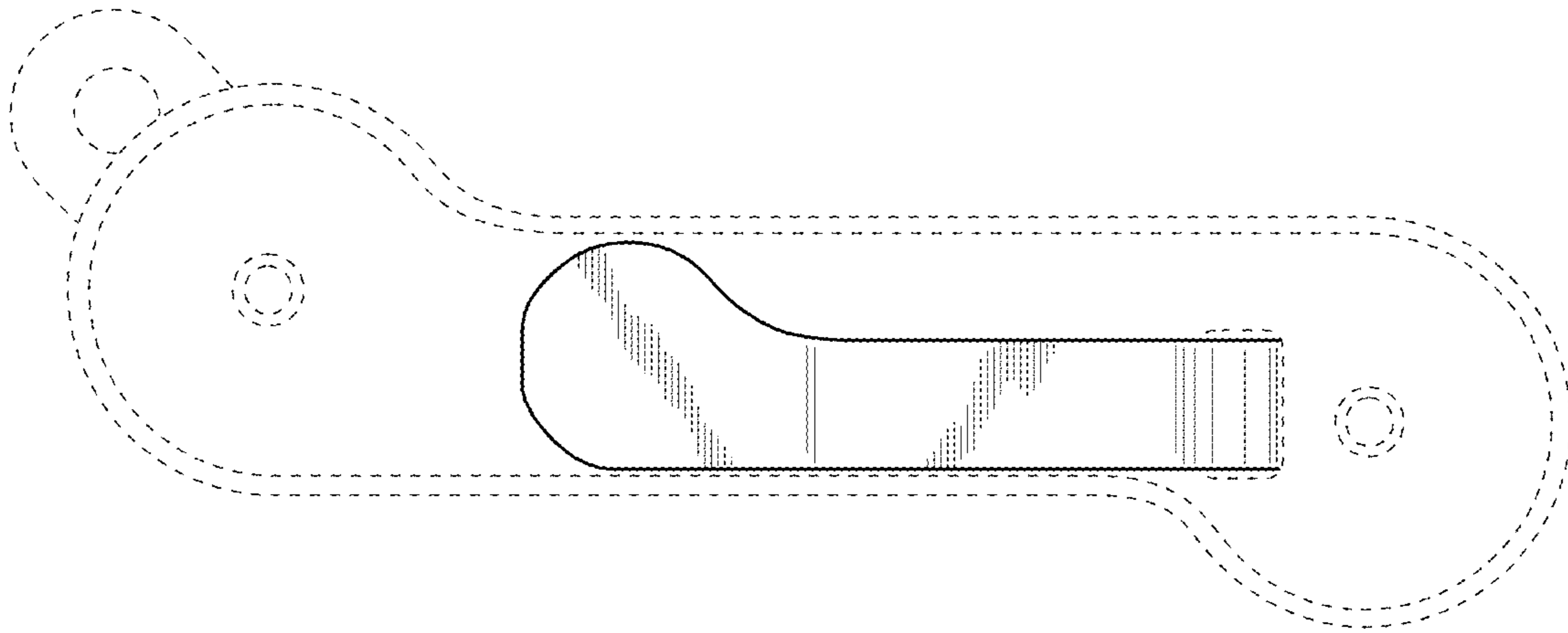


Fig. 2

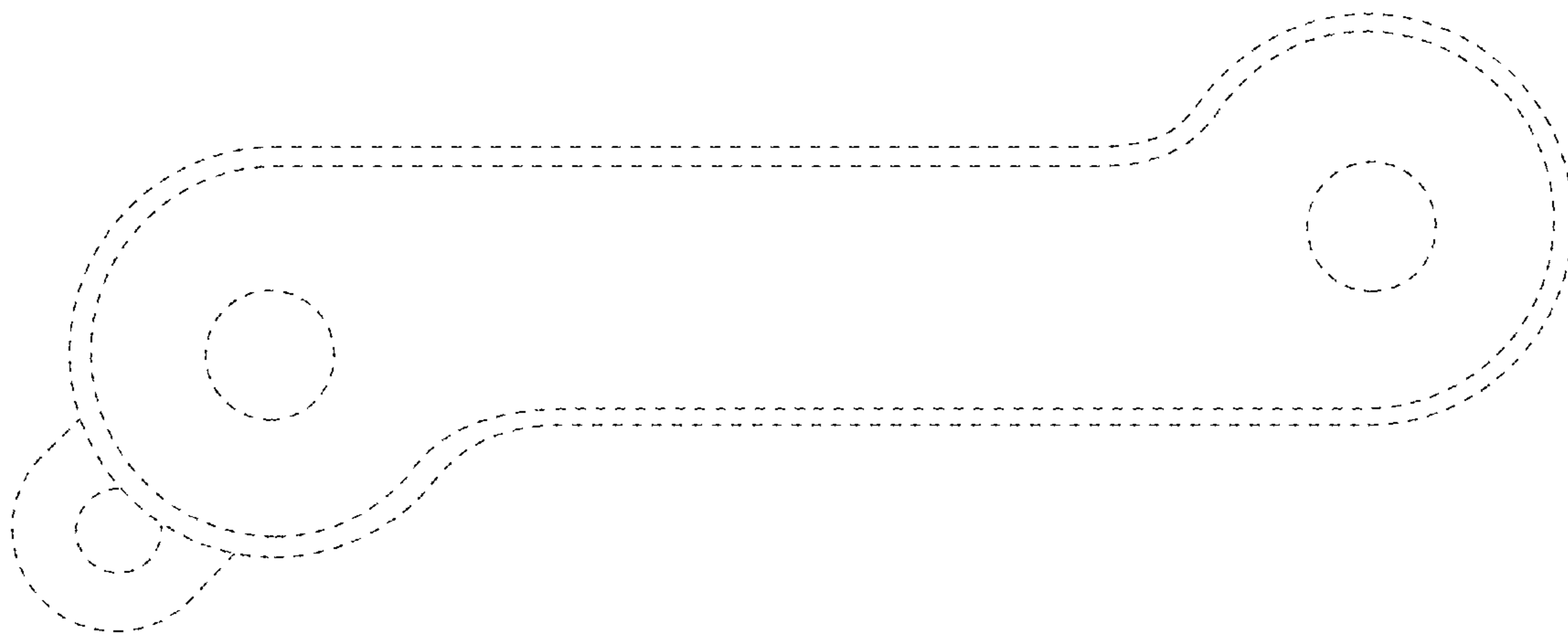


Fig. 3

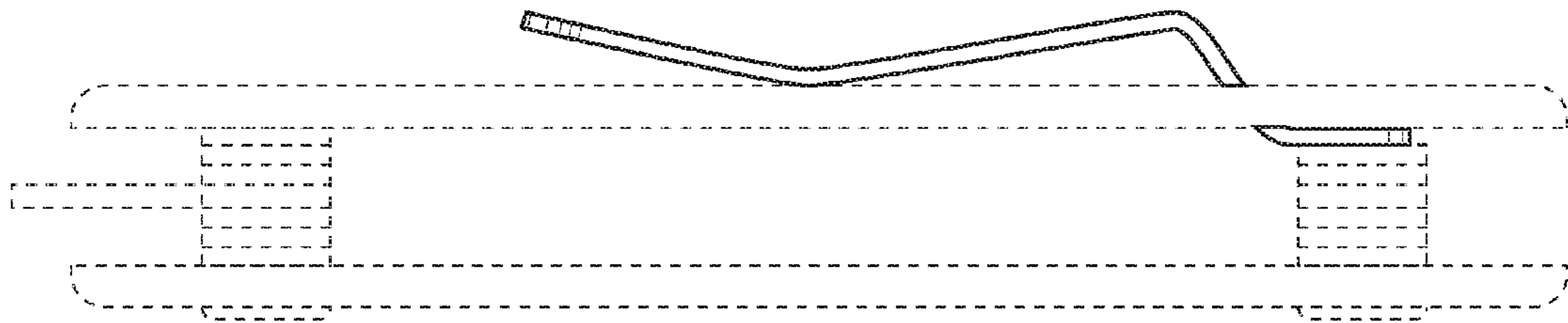


Fig. 4

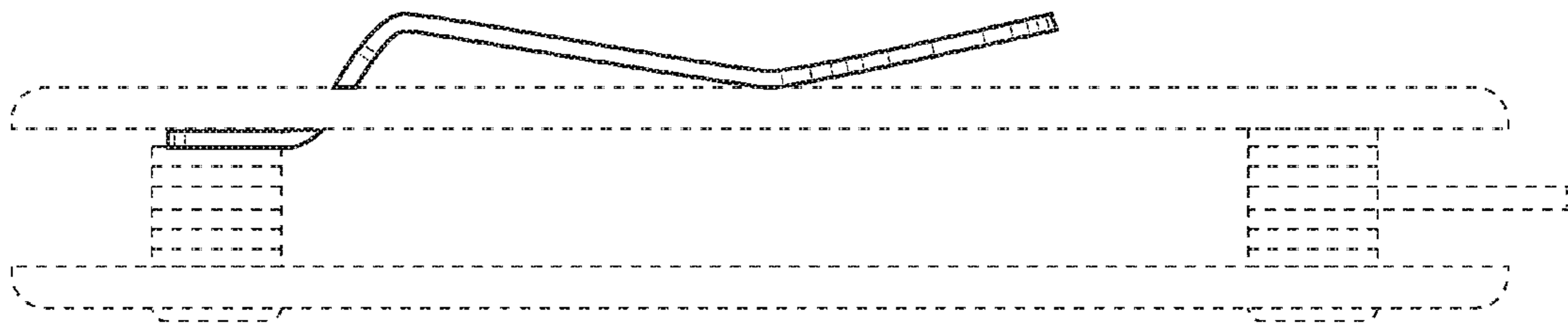


Fig. 5

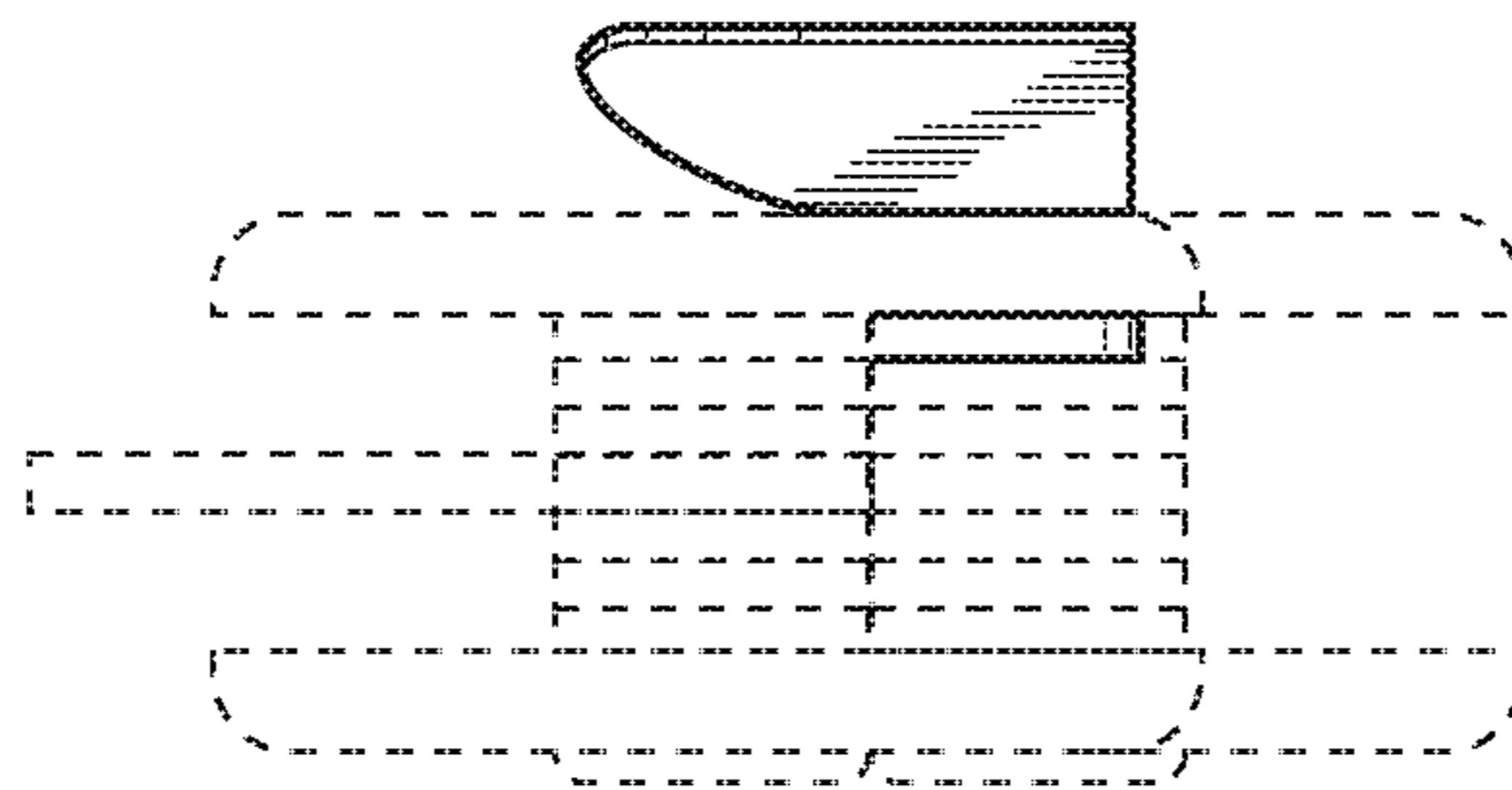


Fig. 6

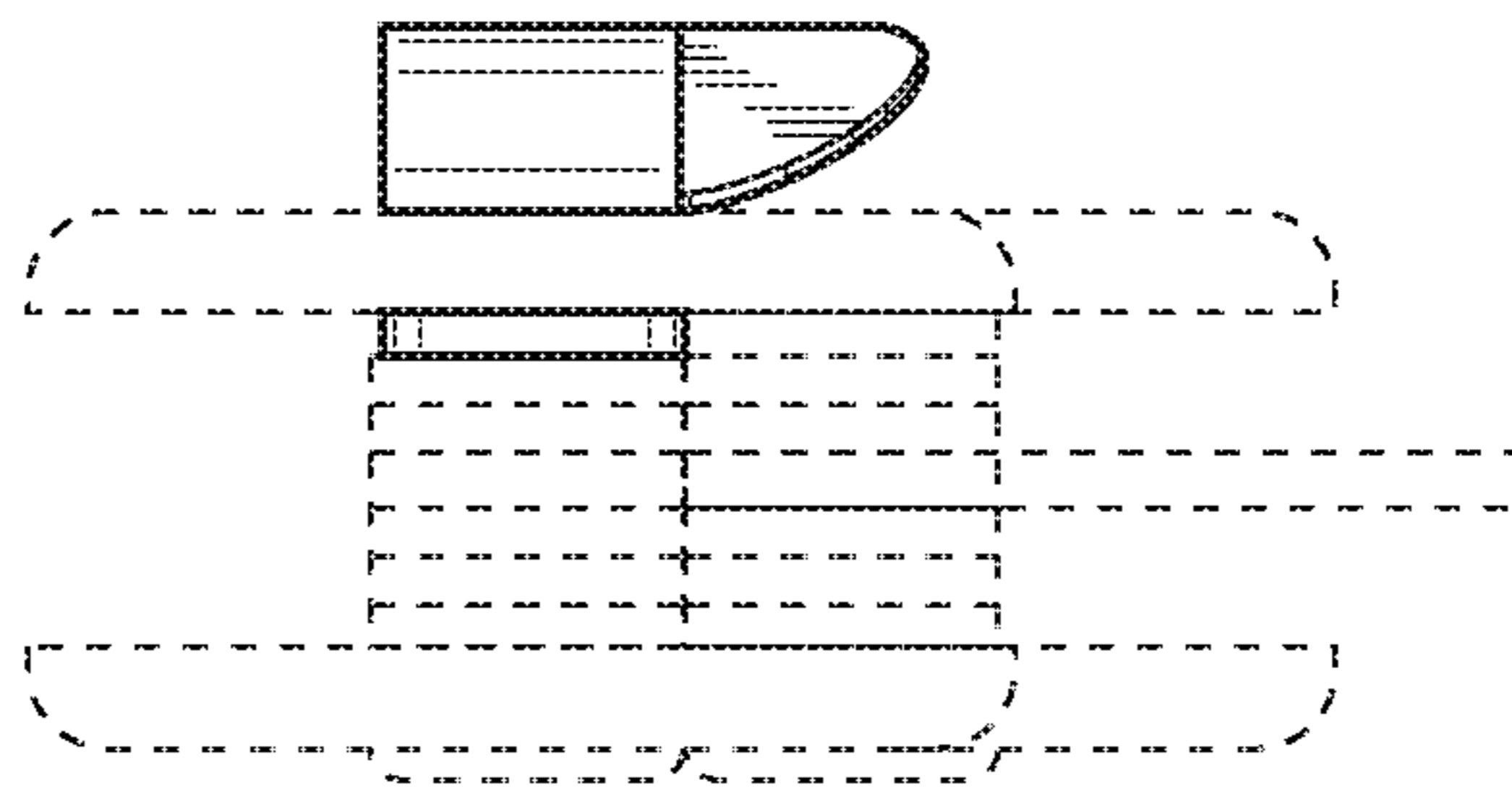


Fig. 7