



US00D771370S

(12) **United States Design Patent**  
**Zhang et al.**

(10) **Patent No.:** **US D771,370 S**

(45) **Date of Patent:** **\*\* \*Nov. 15, 2016**

(54) **SEMIOCHEMICAL RETAINER**

(71) Applicant: **Sterling International Inc.**, Spokane, WA (US)

(72) Inventors: **Qing-He Zhang**, Greenacres, WA (US);  
**Marc Chapin**, Spokane, WA (US);  
**Rodney G. Schneidmiller**, Greenacres, WA (US)

(73) Assignee: **Sterling International Inc.**, Spokane, WA (US)

(\*) Notice: This patent is subject to a terminal disclaimer.

(\*\*) Term: **14 Years**

(21) Appl. No.: **29/516,645**

(22) Filed: **Feb. 4, 2015**

(51) **LOC (10) Cl.** ..... **03-01**

(52) **U.S. Cl.**  
USPC ..... **D3/215; D22/122**

(58) **Field of Classification Search**  
USPC ..... D3/215; 224/222; 43/1, 114, 121, 131;  
119/654, 856-857, 859; 239/36;  
D22/119-124; D30/152  
CPC .... A01M 1/14; A01M 1/223; A01M 1/2011;  
A01M 29/34; A41D 13/001; A41F 9/002  
See application file for complete search history.

(56) **References Cited**

**U.S. PATENT DOCUMENTS**

1,732,028	A *	10/1929	Reiner	.....	A01M 1/2044
					119/654
5,155,950	A *	10/1992	Burgeson	.....	A01M 1/14
					119/654
D359,926	S *	7/1995	Plummer	.....	D22/122
D505,478	S *	5/2005	Mondelli	.....	D22/122
6,936,269	B2 *	8/2005	Robinson	.....	A01M 29/12
					119/856

7,161,313	B2	1/2007	Piepgras	
D605,276	S	12/2009	Beardmore	
7,819,849	B2	10/2010	Dircks	
D702,313	S *	4/2014	Partrat	..... D22/122
D702,315	S *	4/2014	Partrat	..... D22/122
D706,531	S *	6/2014	Park	..... D3/215
8,956,635	B2	2/2015	O'Hara	
D754,278	S *	4/2016	Finkel	..... D22/119

**OTHER PUBLICATIONS**

Chapin, M., et al., "Wearable Semiochemical Retainer," Design U.S. Appl. No. 29/514,280, filed Jan. 9, 2015.

\* cited by examiner

*Primary Examiner* — Catheri Oliver-Garcia

(74) *Attorney, Agent, or Firm* — Christensen O'Connor Johnson Kindness PLLC

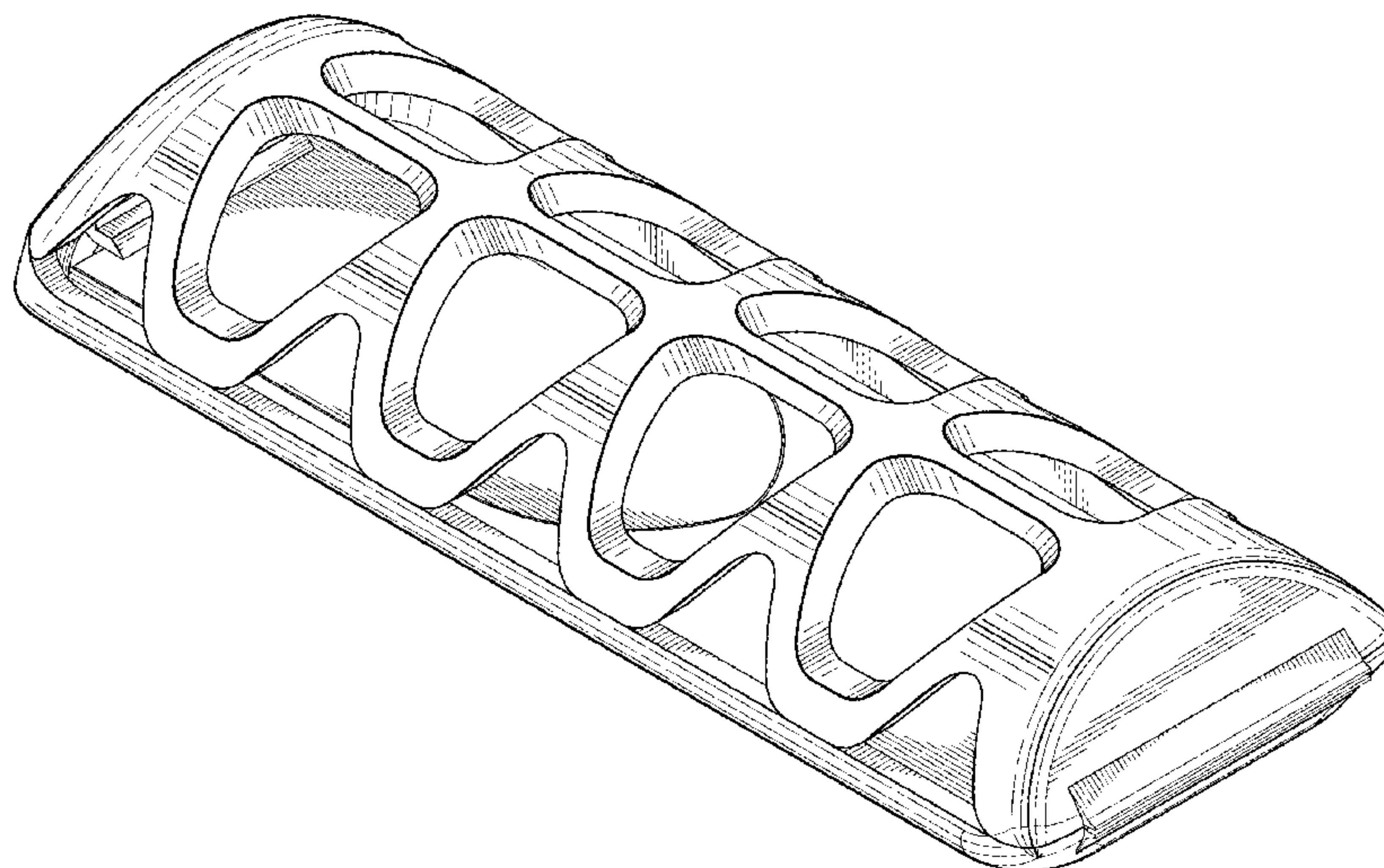
(57) **CLAIM**

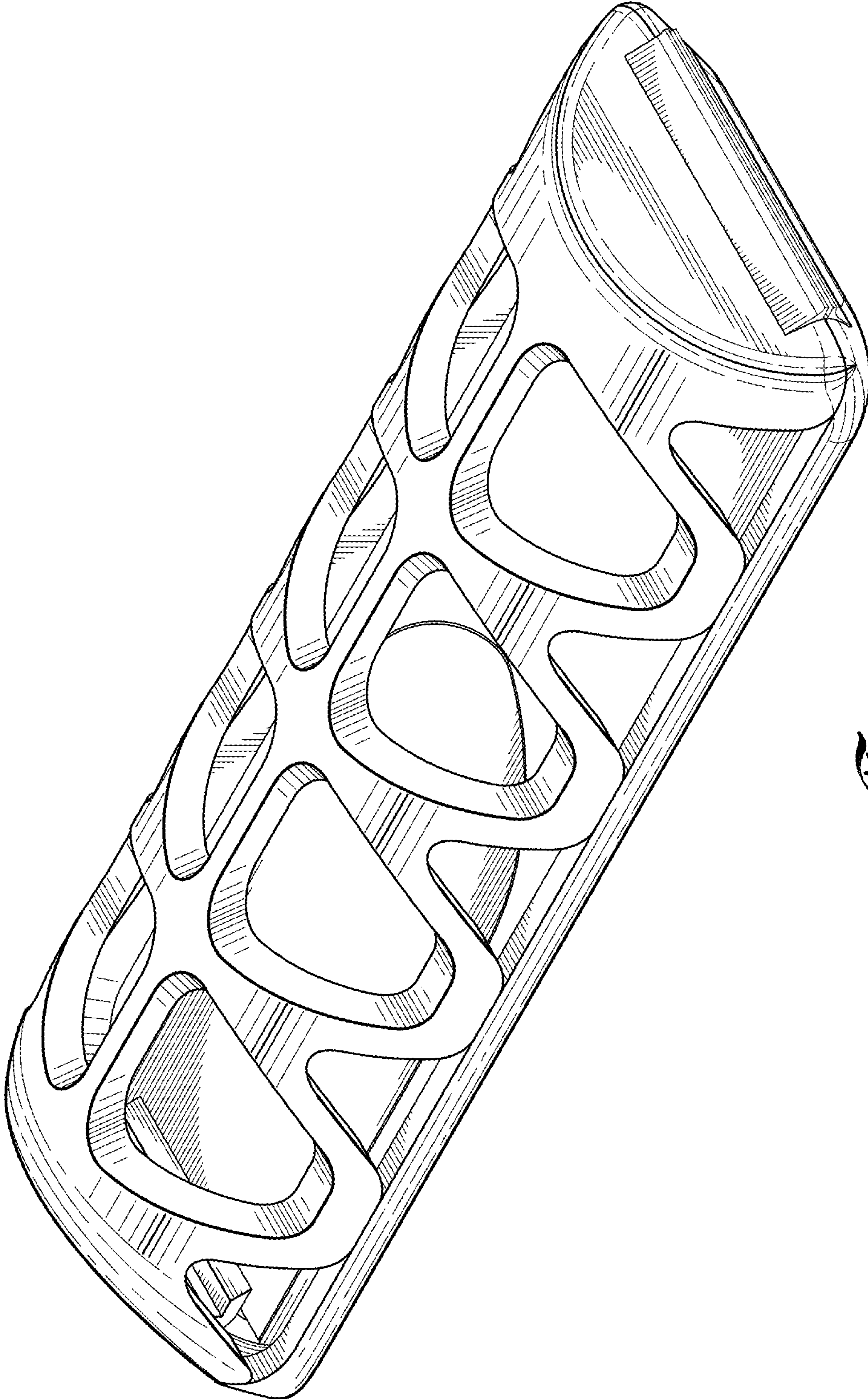
The ornamental design for a semiochemical retainer, as shown and described.

**DESCRIPTION**

FIG. 1 is an upper-front-right perspective view of a semiochemical retainer in accordance with the present design; FIG. 2 is a lower-rear-left perspective view of the semiochemical retainer shown in FIG. 1; FIG. 3 is a top view of the semiochemical retainer shown in FIG. 1; FIG. 4 is a bottom view of the semiochemical retainer shown in FIG. 1; FIG. 5 is a front view of the semiochemical retainer shown in FIG. 1, which is a mirror image of the rear view; FIG. 6 is a left side view of the semiochemical retainer shown in FIG. 1; FIG. 7 is a right side view of the semiochemical retainer shown in FIG. 1; and, FIG. 8 is perspective view of the semiochemical retainer shown in FIG. 1, showing the retainer in an open position.

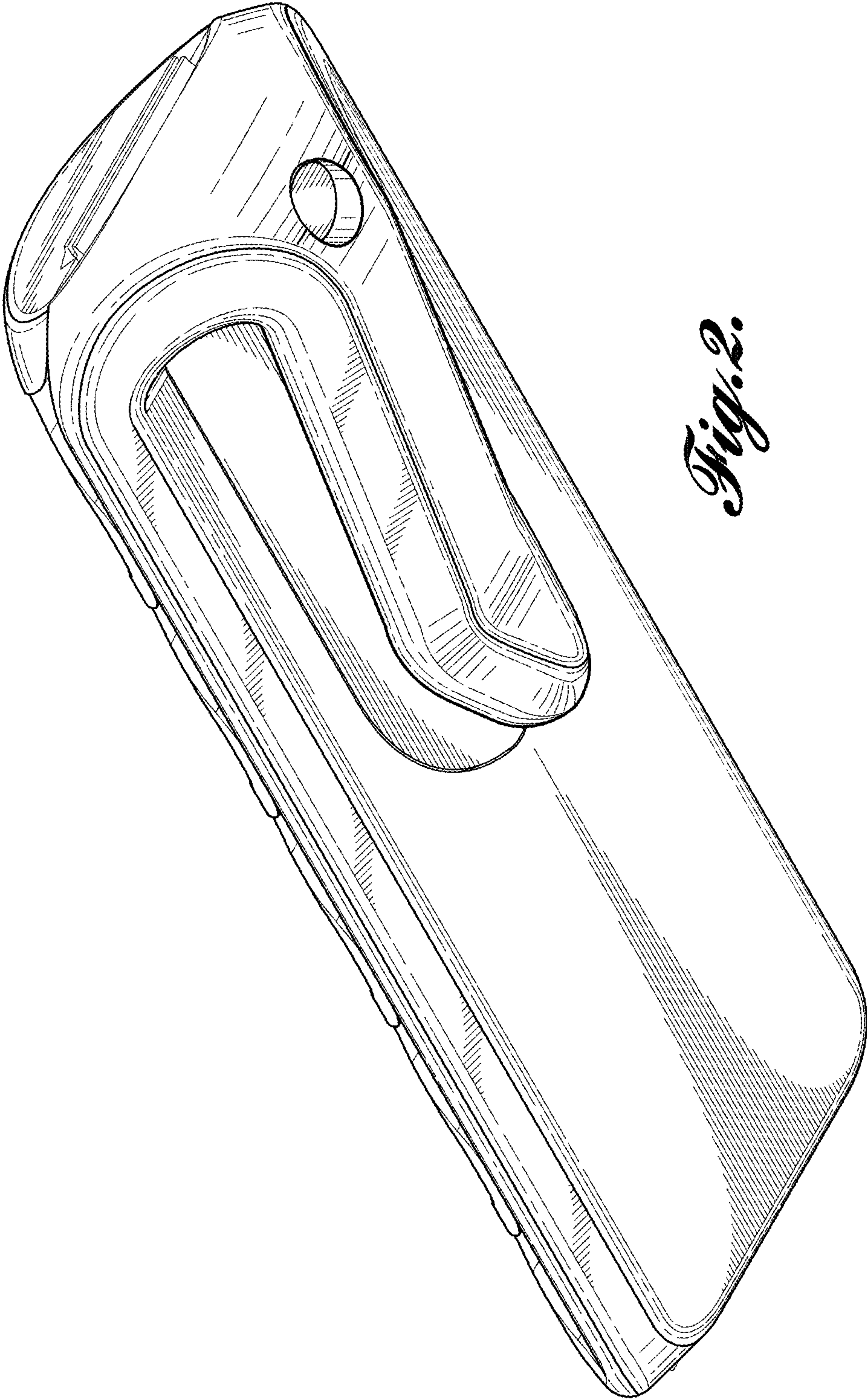
**1 Claim, 6 Drawing Sheets**



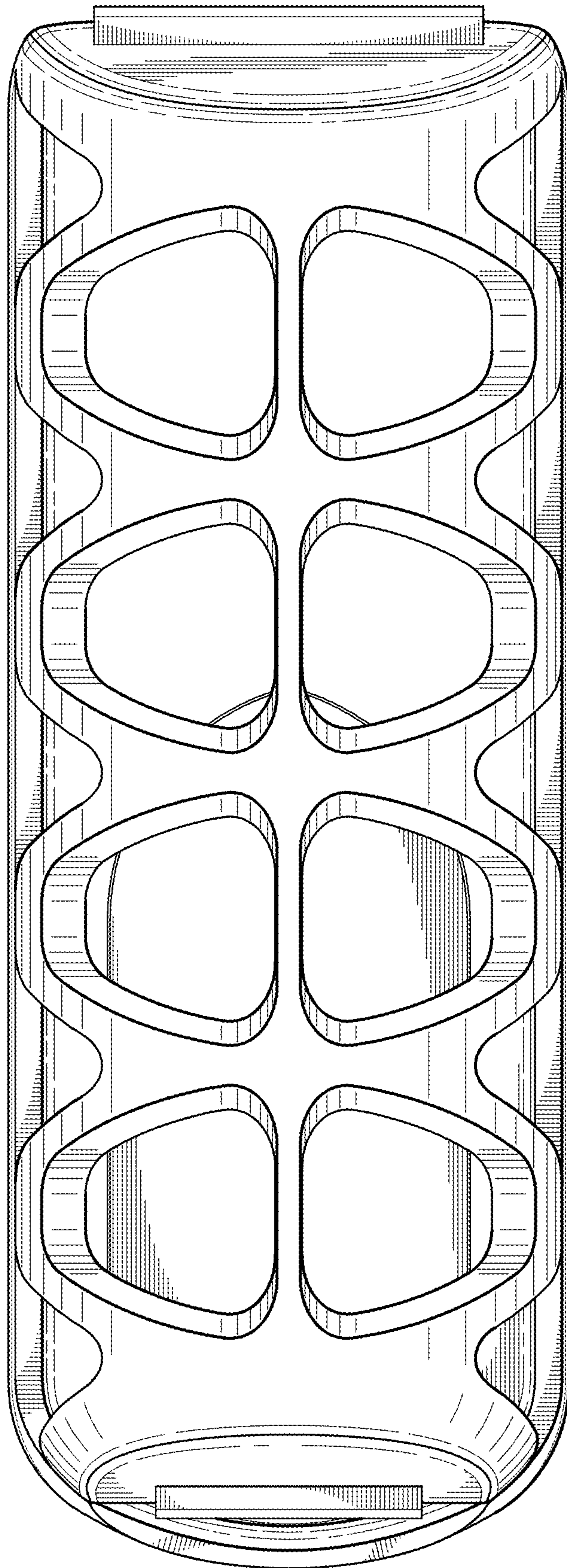


*Fig. 1.*



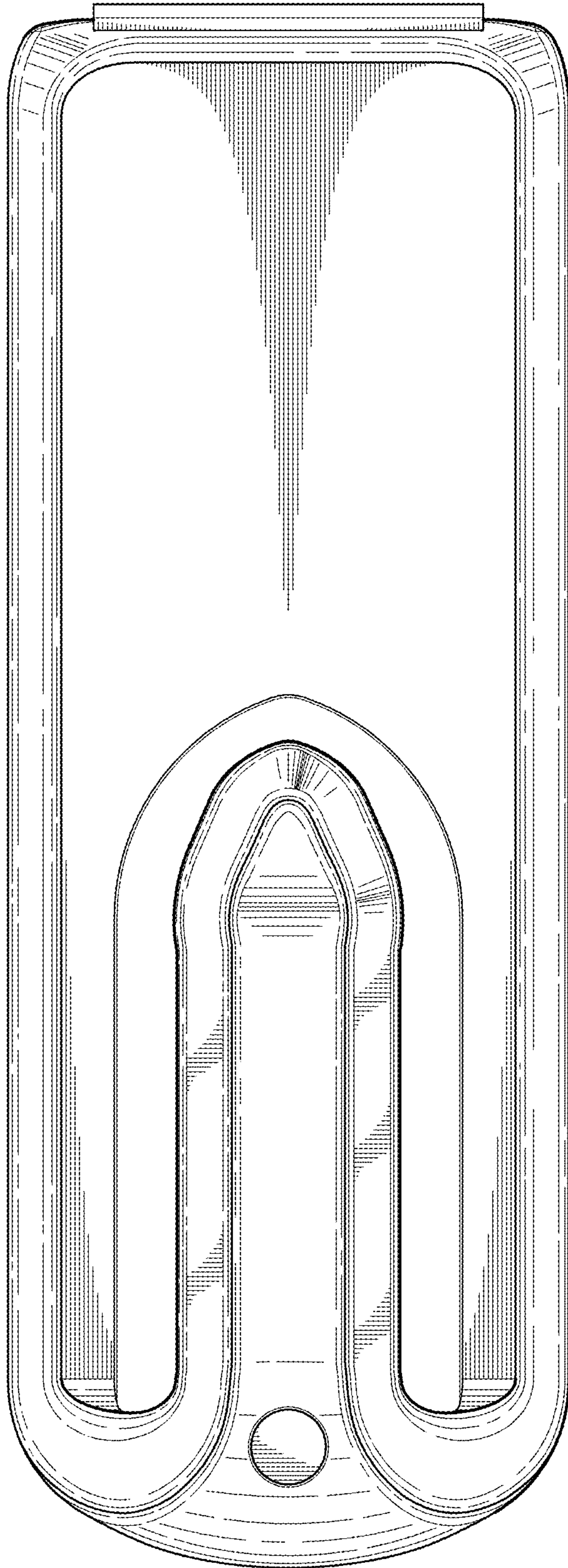


*Fig. 2.*

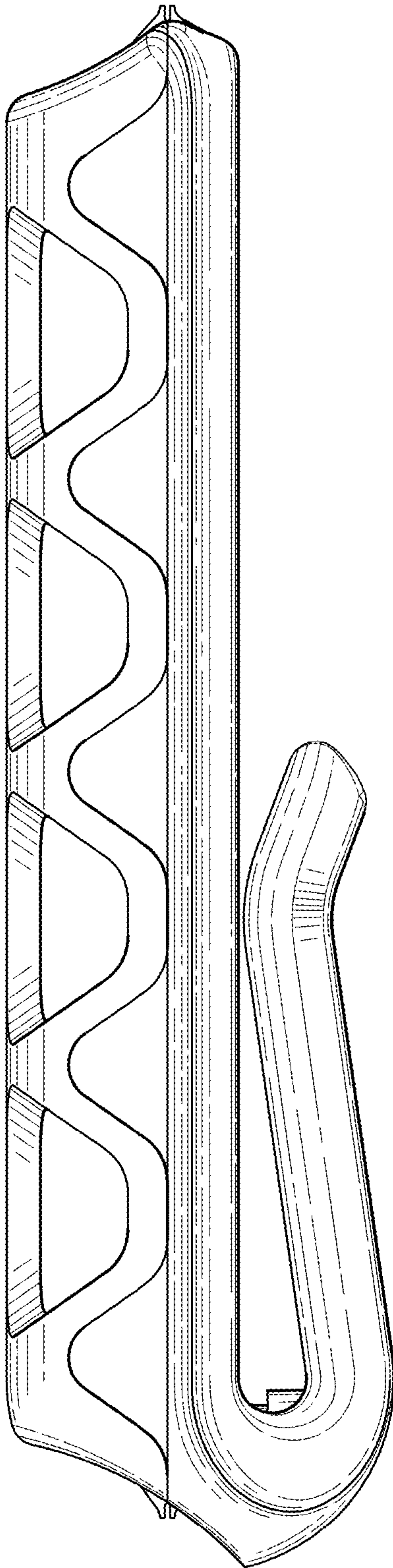


*Fig. 3.*

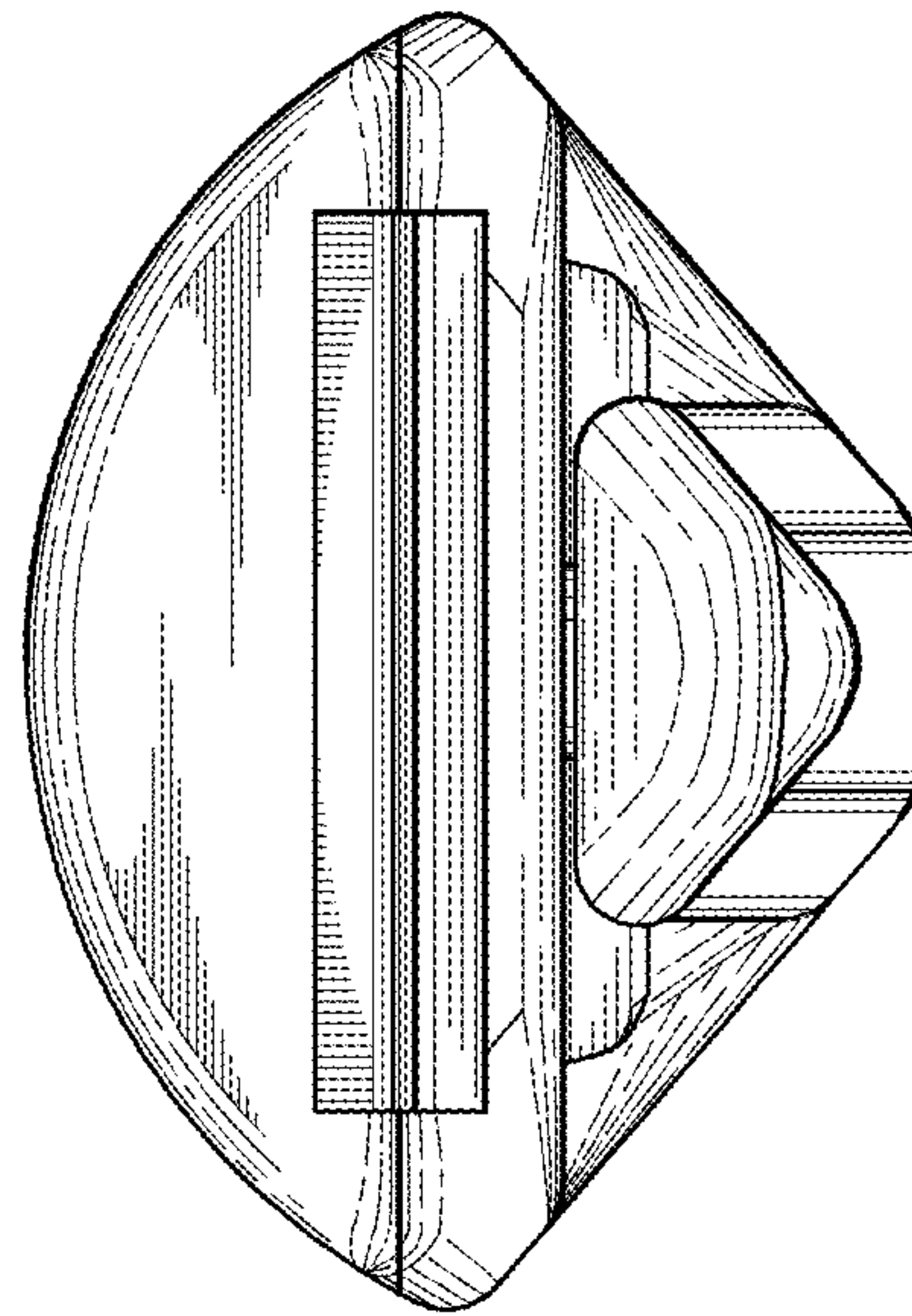




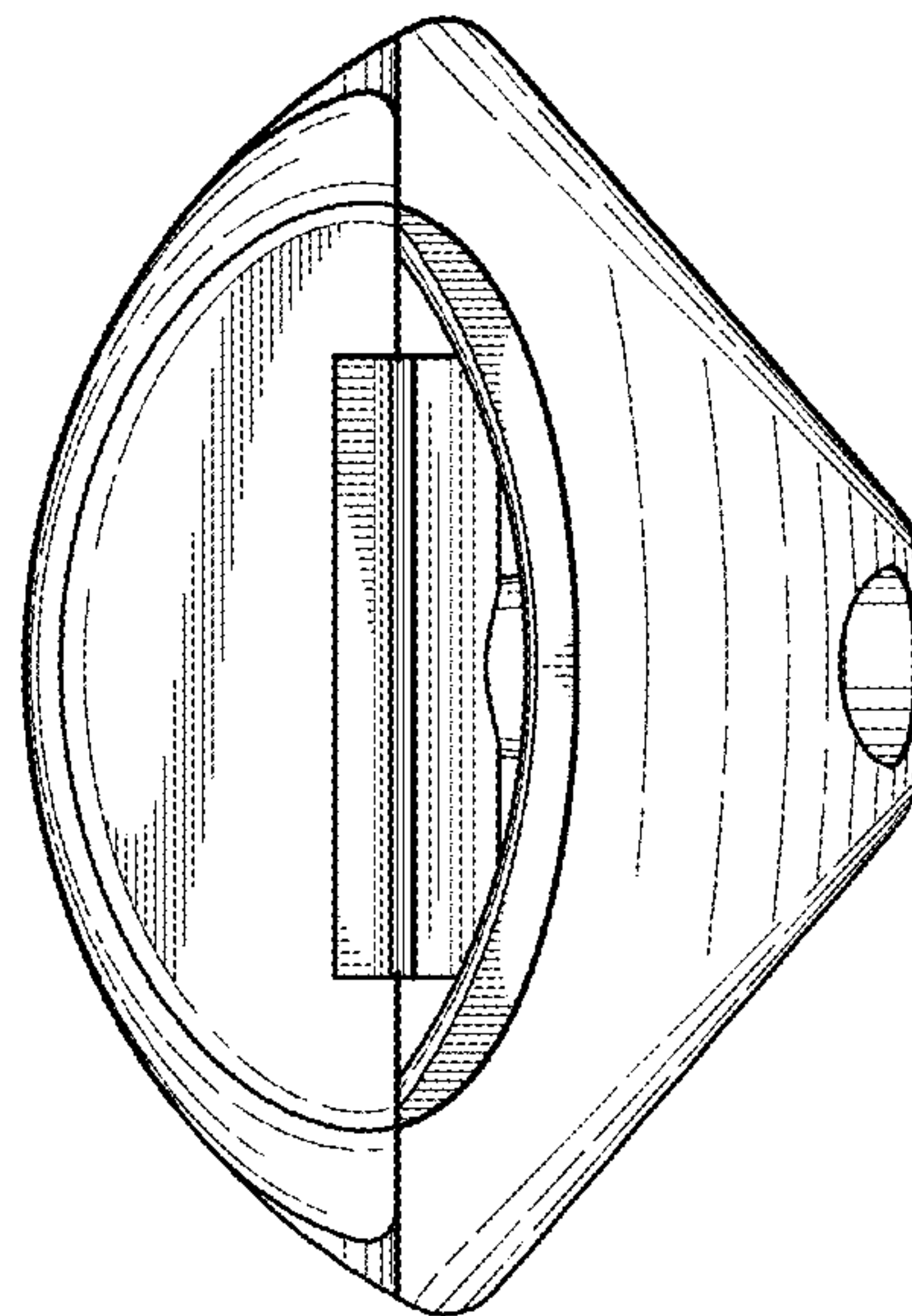
*Fig. 4.*



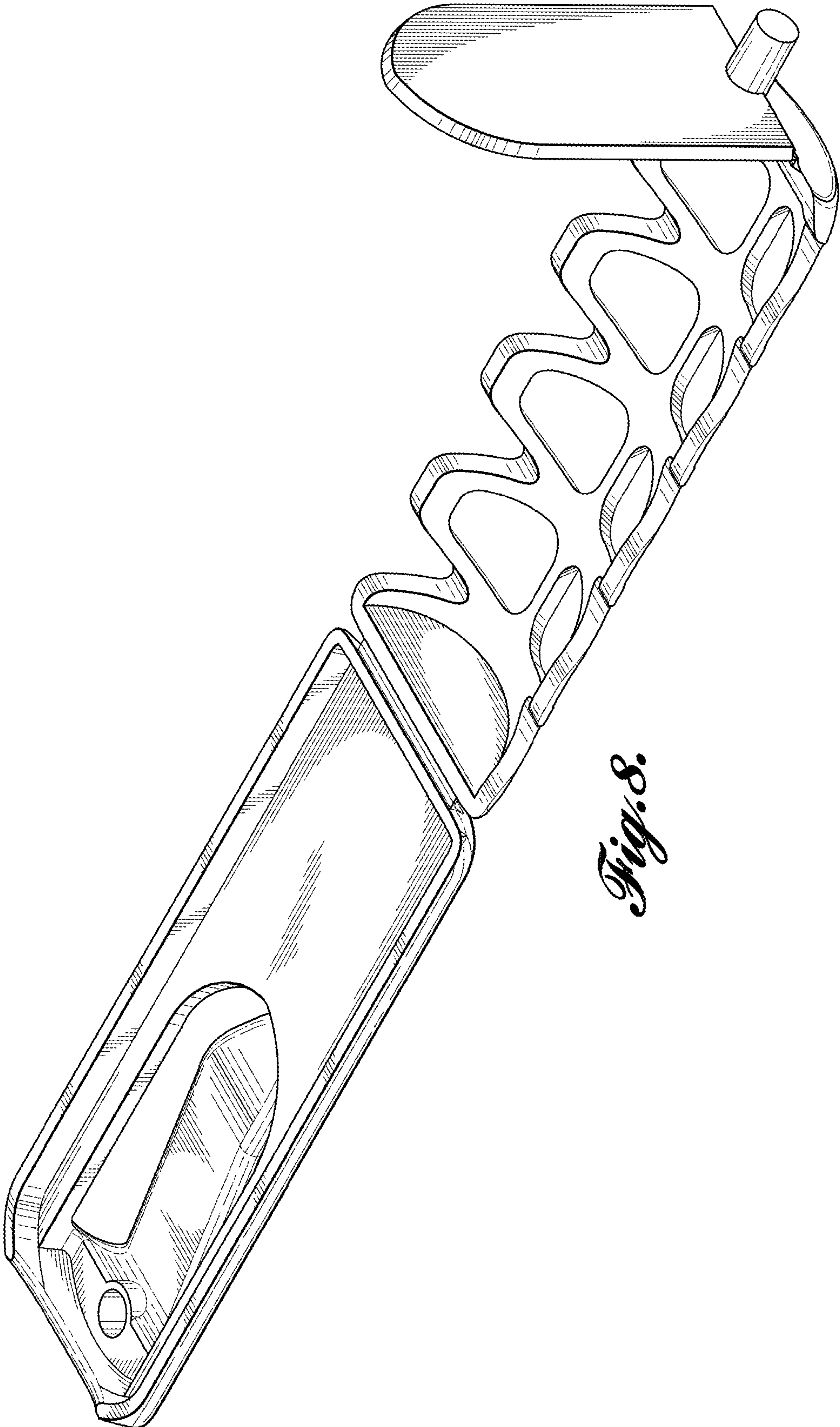
*Fig. 5.*



*Fig. 7.*



*Fig. 6.*



*Fig. 8.*