



US00D771369S

(12) **United States Design Patent**  
**Willows et al.**

(10) **Patent No.:** **US D771,369 S**  
(45) **Date of Patent:** **\*\* Nov. 15, 2016**

- (54) **BOTTLE SLEEVE**
- (71) Applicant: **Amphipod, Inc.**, Seattle, WA (US)
- (72) Inventors: **Keith S. Willows**, Seattle, WA (US);  
**June A. Angus**, Seattle, WA (US);  
**Antonio Del Rosario**, Bellevue, WA (US)
- (73) Assignee: **Amphipod, Inc.**, Seattle, WA (US)
- (\*\*) Term: **14 Years**
- (21) Appl. No.: **29/522,541**
- (22) Filed: **Mar. 31, 2015**
- (51) **LOC (10) Cl.** ..... **03-01**
- (52) **U.S. Cl.**  
USPC ..... **D3/202**
- (58) **Field of Classification Search**  
USPC ..... D3/201, 202, 215, 225, 303, 226, 229;  
D7/605, 607, 608, 619.1, 620  
CPC ..... A45F 3/16; A45F 3/20; A45F 5/00;  
A45F 5/02; A45C 11/20  
See application file for complete search history.

D448,925	S *	10/2001	Willows	.....	D3/226
6,401,993	B1 *	6/2002	Andrino	.....	A45F 5/00 224/148.5
6,405,912	B2 *	6/2002	Giannou	.....	A45C 11/00 224/233
6,454,146	B2 *	9/2002	Alis	.....	A45F 5/02 224/250
D467,418	S *	12/2002	Perron	.....	D3/229
6,971,562	B2 *	12/2005	Willows	.....	A45F 5/00 224/148.4
D567,595	S *	4/2008	Christopher	.....	D3/229
7,520,412	B2 *	4/2009	Willows	.....	A45F 3/14 224/148.4
8,002,157	B2 *	8/2011	Willows	.....	A45F 3/14 224/148.4
D648,520	S *	11/2011	Fahrendorff	.....	D3/201
D650,985	S *	12/2011	Swartz	.....	D3/202
D681,326	S *	5/2013	Willows	.....	D3/229
D682,551	S *	5/2013	Phillips	.....	D3/303
D712,147	S *	9/2014	Curran-Blaney	.....	D3/303
8,985,409	B2 *	3/2015	Willows	.....	A45F 5/00 224/148.1
D750,376	S *	3/2016	Hamilton	.....	D3/218

\* cited by examiner

*Primary Examiner* — John Windmuller  
*Assistant Examiner* — Steven Czyz  
(74) *Attorney, Agent, or Firm* — Lowe Graham Jones PLLC

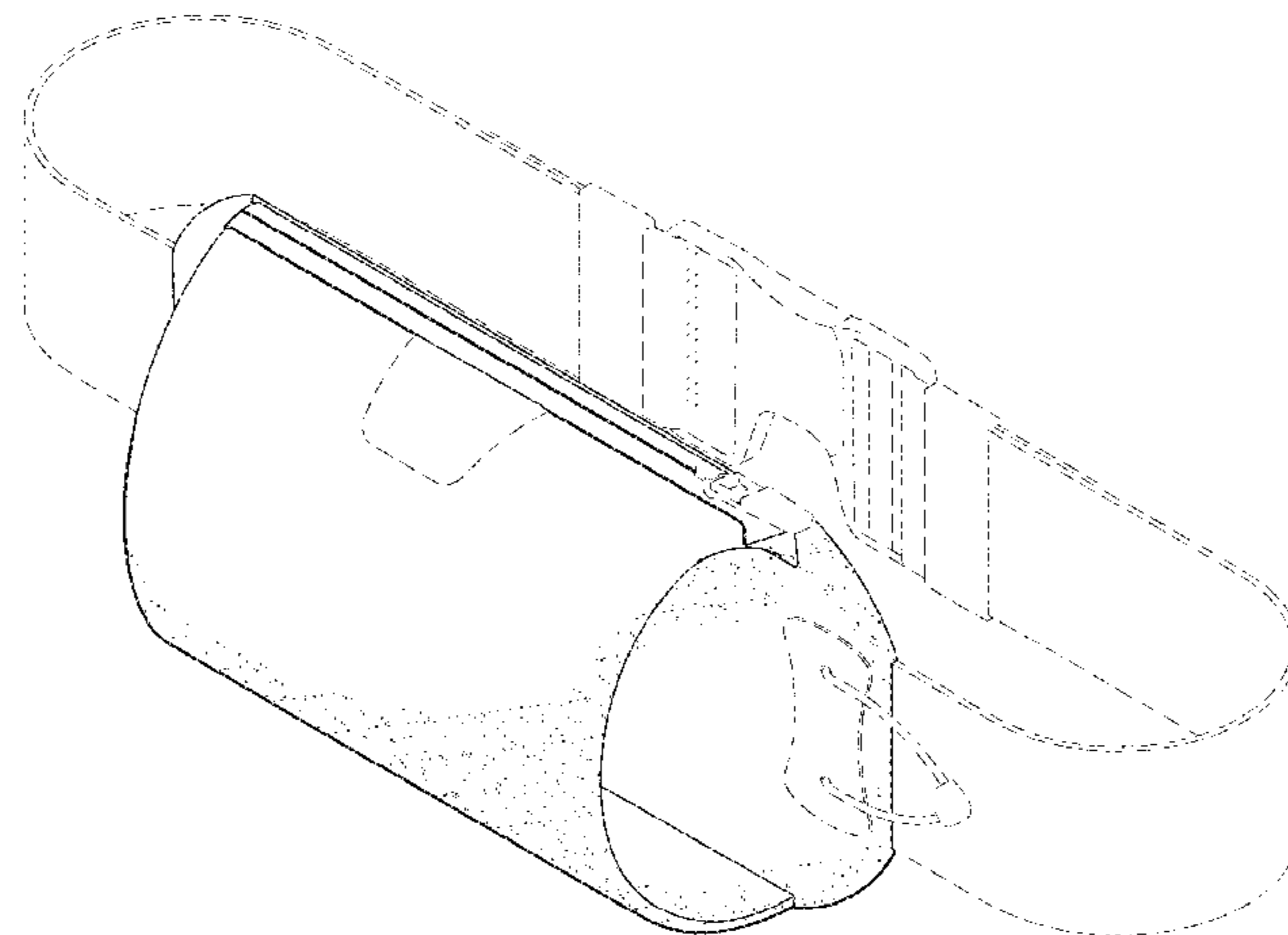
(57) **CLAIM**  
The ornamental design for a bottle sleeve, as shown and described.

**DESCRIPTION**

FIG. 1 is a front perspective view of the bottle sleeve, showing our new design;  
FIG. 2 is a front elevational view thereof;  
FIG. 3 is a top plan view thereof;  
FIG. 4 is a right side elevational view thereof;  
FIG. 5 is a left side elevational view thereof;  
FIG. 6 is a rear elevational view with the belt shown cutaway for ease of disclosure; and,  
FIG. 7 is a bottom plan view thereof.  
The broken lines depict portions of the article that form no part of the claimed design, and the cutaway lines indicate unclaimed subject matter and form no part of the claimed design.

**1 Claim, 6 Drawing Sheets**

- (56) **References Cited**  
U.S. PATENT DOCUMENTS
- 3,843,032 A \* 10/1974 Moran ..... A45F 3/16  
215/382
- 4,401,245 A \* 8/1983 Zills ..... B65D 81/3886  
215/12.1
- 4,526,280 A \* 7/1985 Taylor ..... B65D 77/0406  
150/154
- D292,127 S \* 9/1987 Aiello ..... D24/128
- 4,974,762 A \* 12/1990 Boretsky ..... A45C 1/04  
224/148.2
- D313,694 S \* 1/1991 Mawhinney ..... D12/422
- D315,058 S \* 3/1991 Burke ..... D3/202
- 5,873,551 A \* 2/1999 Jones ..... A61J 9/06  
224/600
- D410,770 S \* 6/1999 Bergara ..... D3/202
- 6,109,496 A \* 8/2000 Andrew ..... A45F 3/00  
224/223
- 6,182,872 B1 \* 2/2001 Six ..... A45F 3/00  
224/148.3



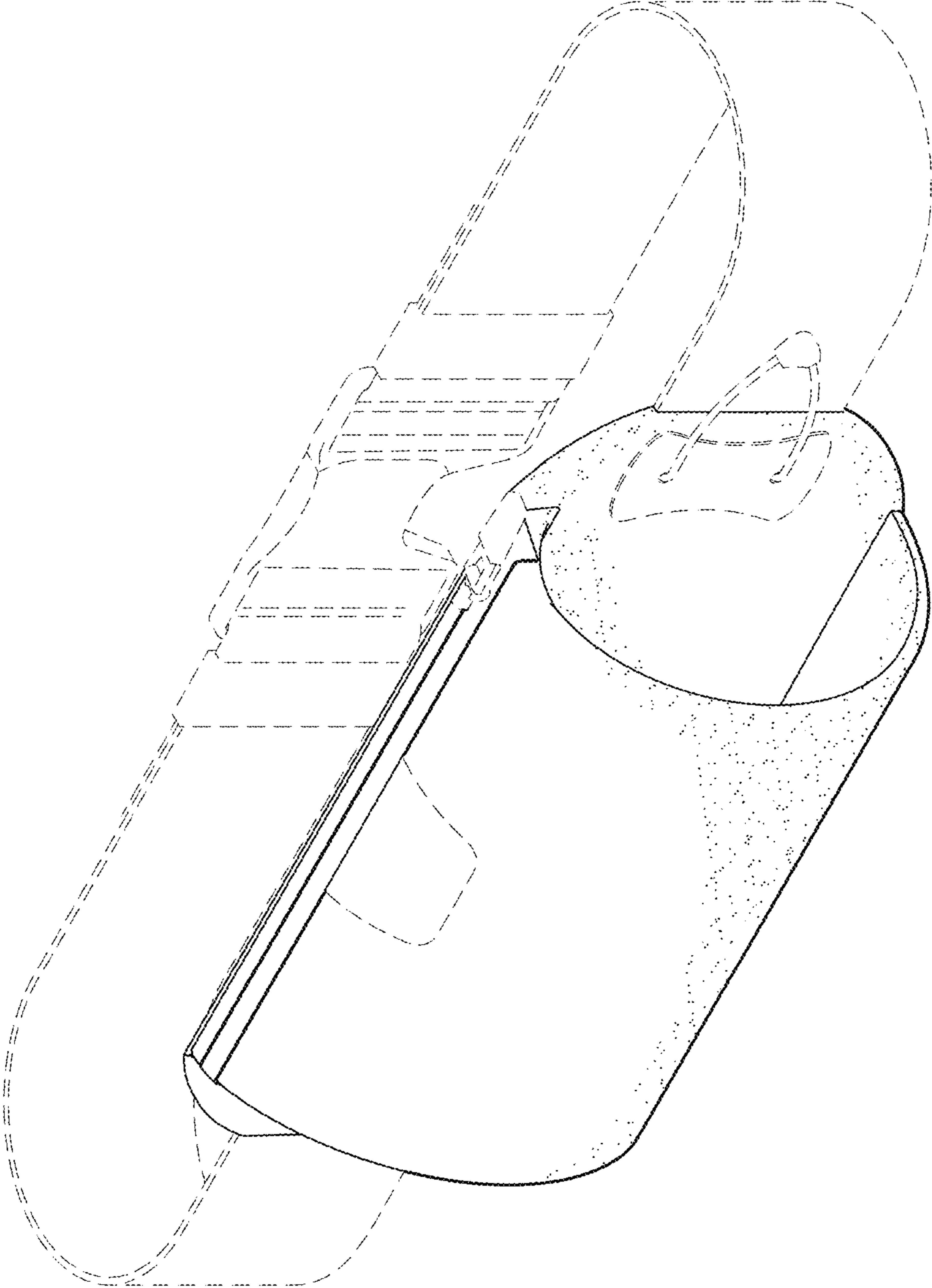


FIG.1

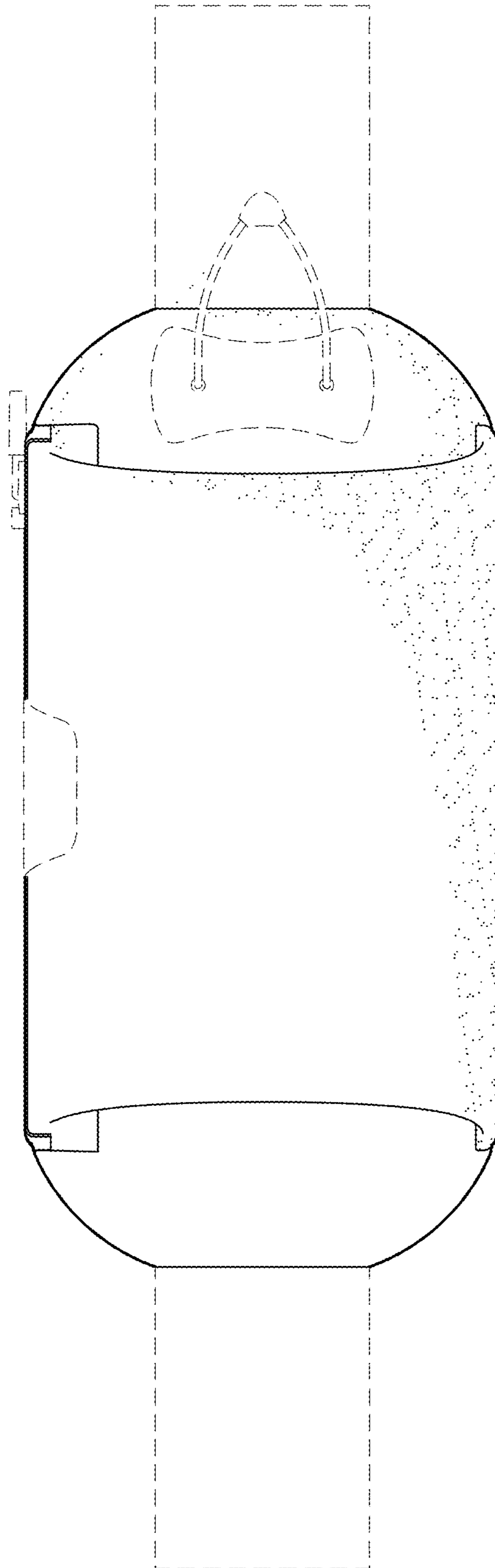


FIG.2

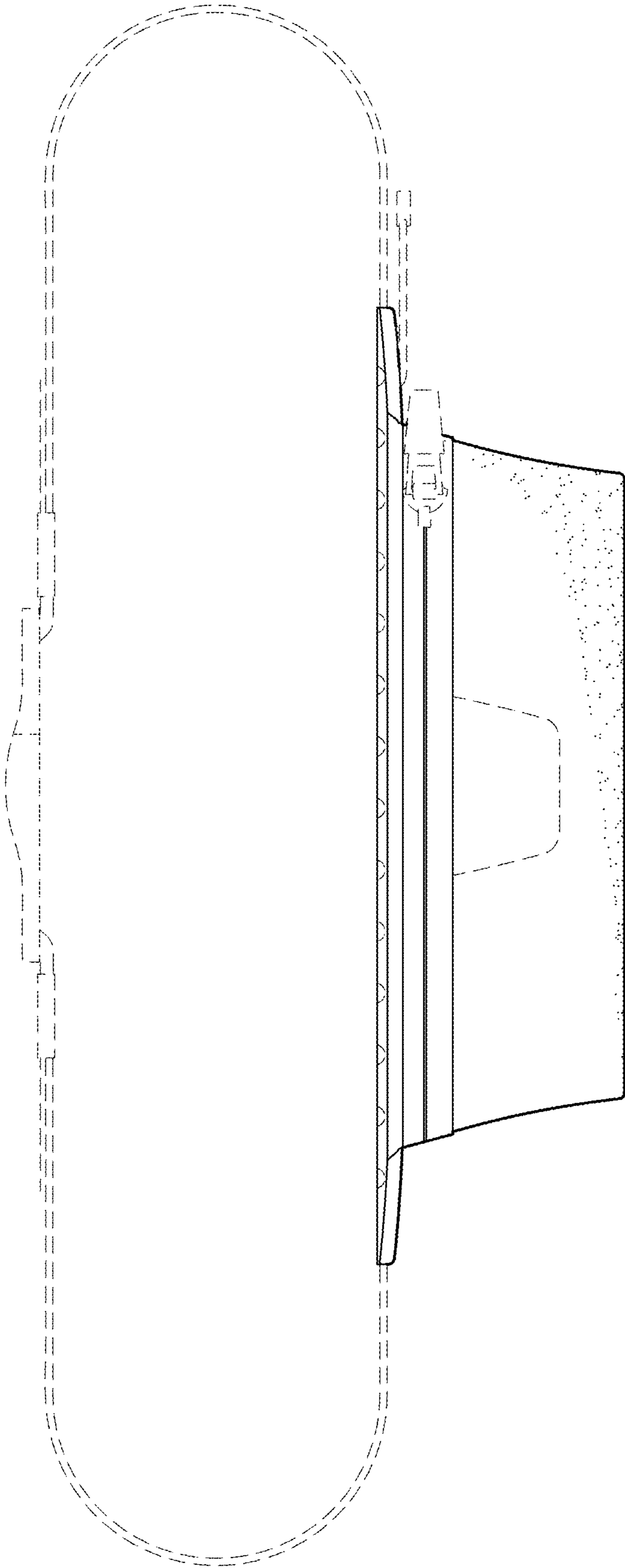


FIG. 3

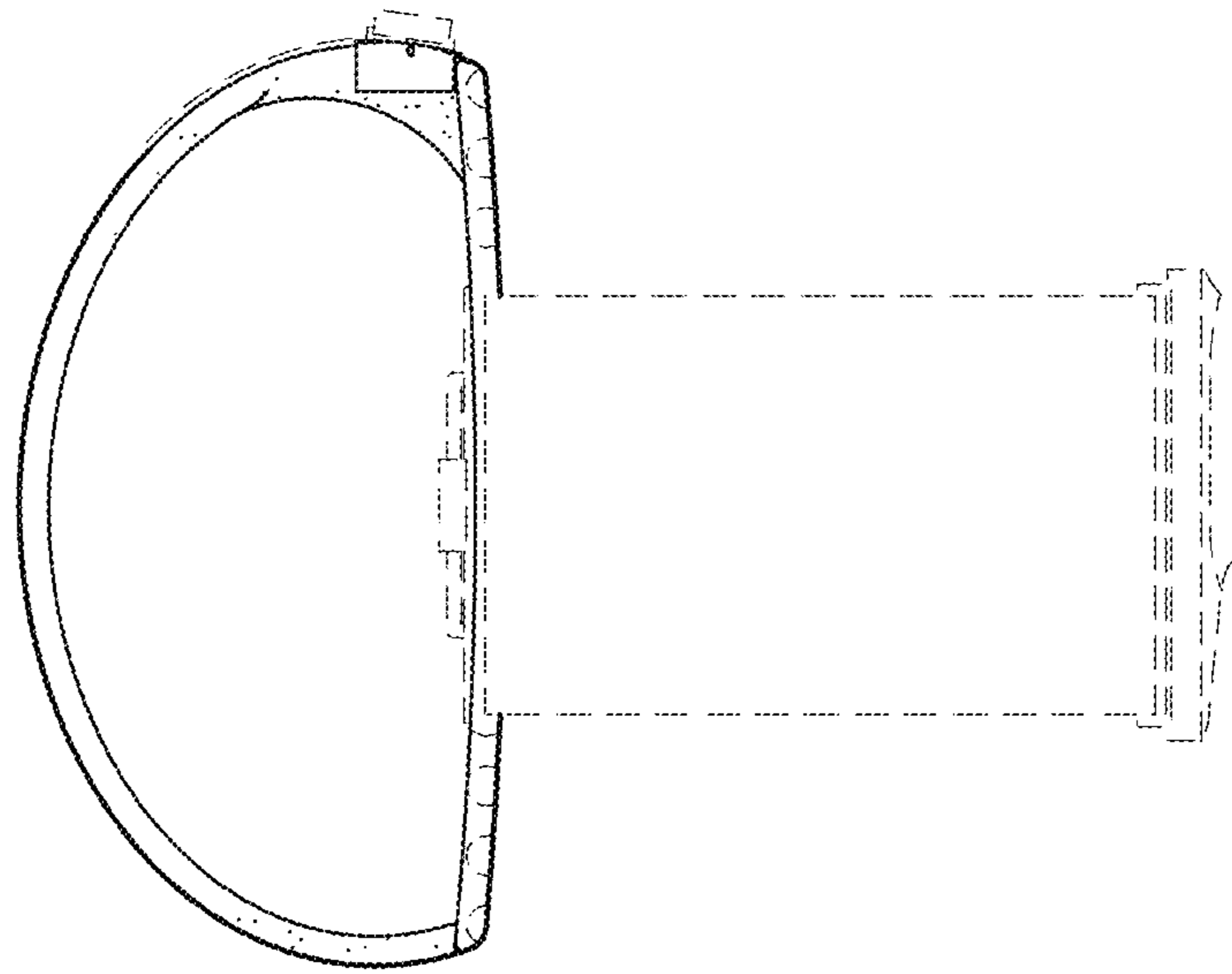


FIG. 4

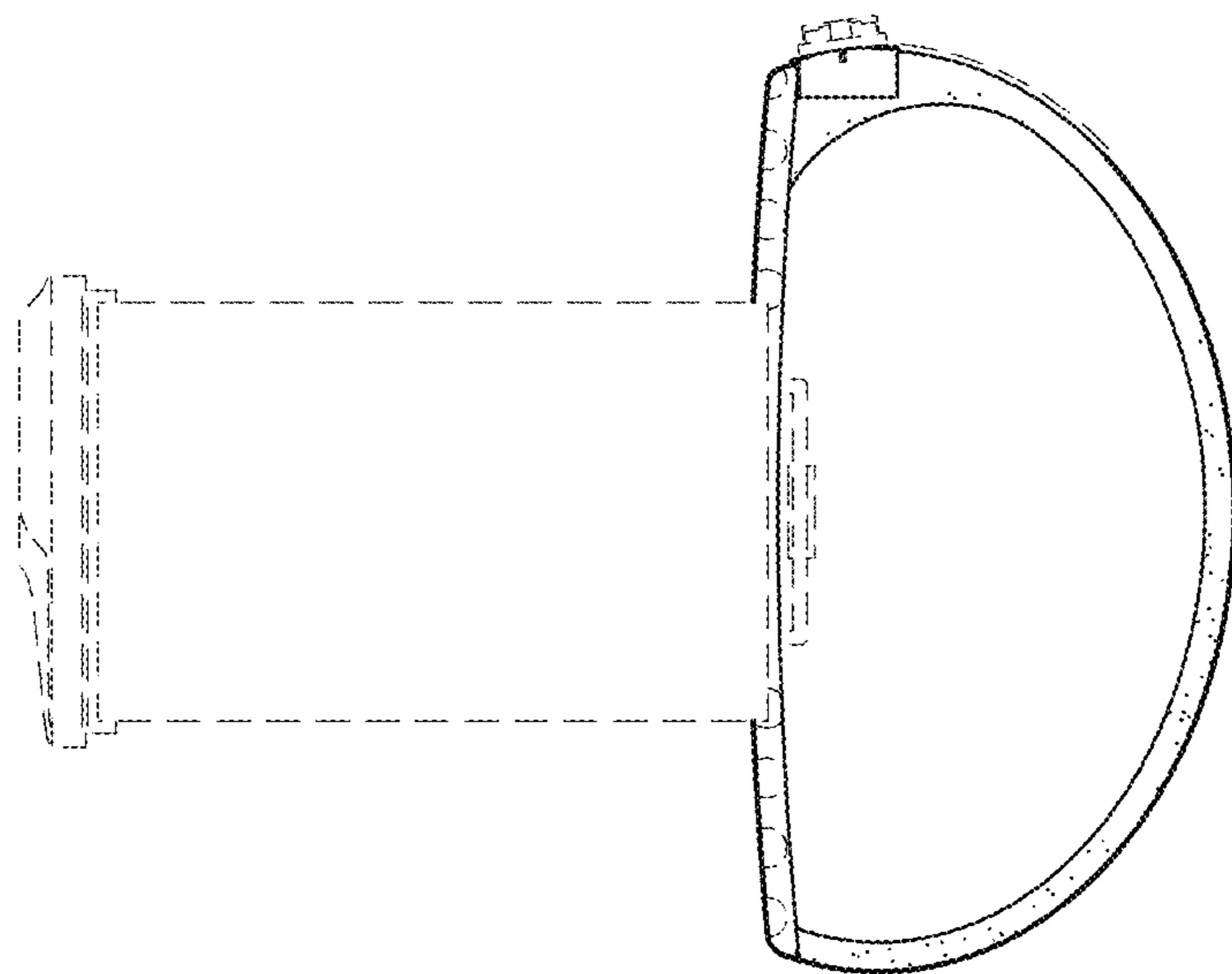


FIG. 5

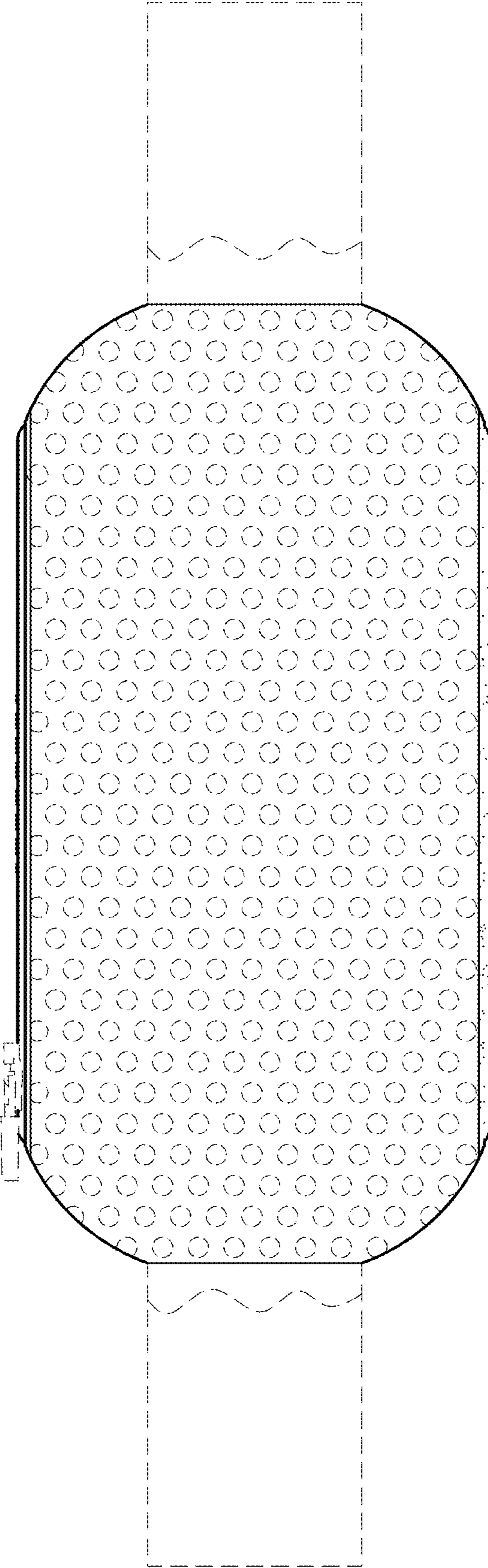


FIG. 6

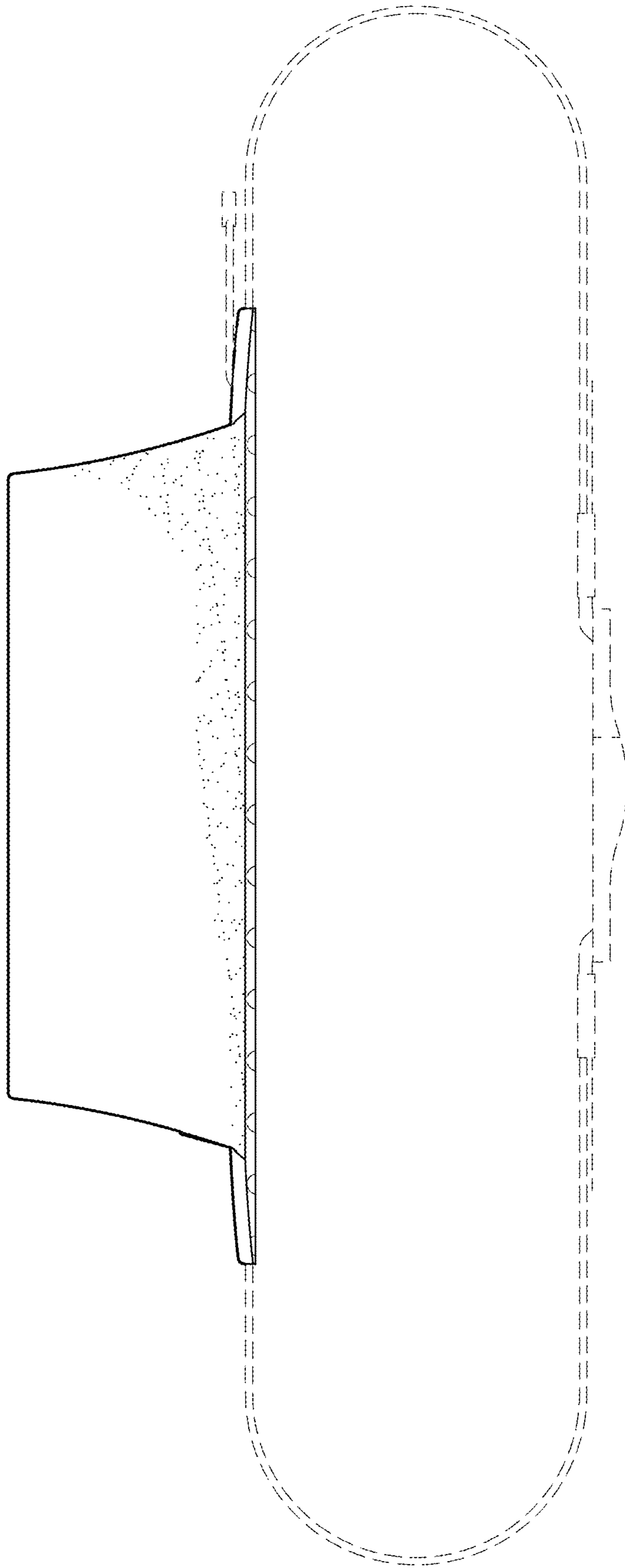


FIG. 7