



US00D771362S

(12) **United States Design Patent** (10) **Patent No.:** **US D771,362 S**  
**Dombrow** (45) **Date of Patent:** **\*\* Nov. 15, 2016**

- (54) **TRACTION ELEMENT FOR A SHOE OUTSOLE**
- (71) Applicant: **David Dombrow**, Balitmore, MD (US)
- (72) Inventor: **David Dombrow**, Balitmore, MD (US)
- (73) Assignee: **Under Armour, Inc.**, Baltimore, MD (US)
- (\*\*) Term: **15 Years**
- (21) Appl. No.: **29/543,605**
- (22) Filed: **Oct. 27, 2015**

**Related U.S. Application Data**

- (62) Division of application No. 29/477,944, filed on Dec. 30, 2013, now Pat. No. Des. 743,678.
- (51) **LOC (10) Cl.** ..... **02-04**
- (52) **U.S. Cl.**  
USPC ..... **D2/957; D2/951**
- (58) **Field of Classification Search**  
USPC ..... D2/902, 906, 908, 916, 918, 925, D2/946-962, 977  
CPC .... A43B 13/00; A43B 13/02; A43B 13/023; A43B 13/026; A43B 13/04; A43B 13/08; A43B 13/10; A43B 13/12; A43B 13/14; A43B 13/141; A43B 13/143; A43B 13/16; A43B 13/18; A43B 13/181; A43B 13/187; A43B 13/189; A43B 13/20; A43B 13/22; A43B 13/223; A43B 13/24; A43B 13/28; A43B 13/30; A43B 13/32; A43B 13/34; A43B 13/36  
See application file for complete search history.

(56) **References Cited**  
U.S. PATENT DOCUMENTS

- D197,505 S 2/1964 Bingham
- D305,383 S 1/1990 Arai

- D306,652 S 3/1990 Kiyosawa
- D325,293 S 4/1992 Kiyosawa et al.
- D329,940 S 10/1992 Hatfield
- D339,462 S 9/1993 Kiyosawa et al.
- D341,481 S 11/1993 Peterson
- D354,845 S 1/1995 Bramani
- D355,754 S 2/1995 Brandon
- D373,897 S 9/1996 Takatani et al.
- 5,806,209 A 9/1998 Crowley et al.
- D404,547 S 1/1999 Strawser et al.
- D431,710 S 10/2000 Panella
- D460,608 S 7/2002 Laberge et al.
- D481,528 S 11/2003 St-Louis
- D490,596 S 6/2004 Belley et al.
- D495,480 S 9/2004 Laberge
- D499,536 S 12/2004 Castleberry
- D561,439 S 2/2008 Schoenborn et al.
- D566,938 S 4/2008 Matis et al.
- D570,584 S 6/2008 Gay
- D617,085 S 6/2010 Recchi et al.
- D620,243 S 7/2010 McClaskie
- D635,754 S 4/2011 Mariman
- D655,902 S 3/2012 Debiase
- D663,518 S 7/2012 McClaskie
- D664,343 S 7/2012 McClaskie

(Continued)

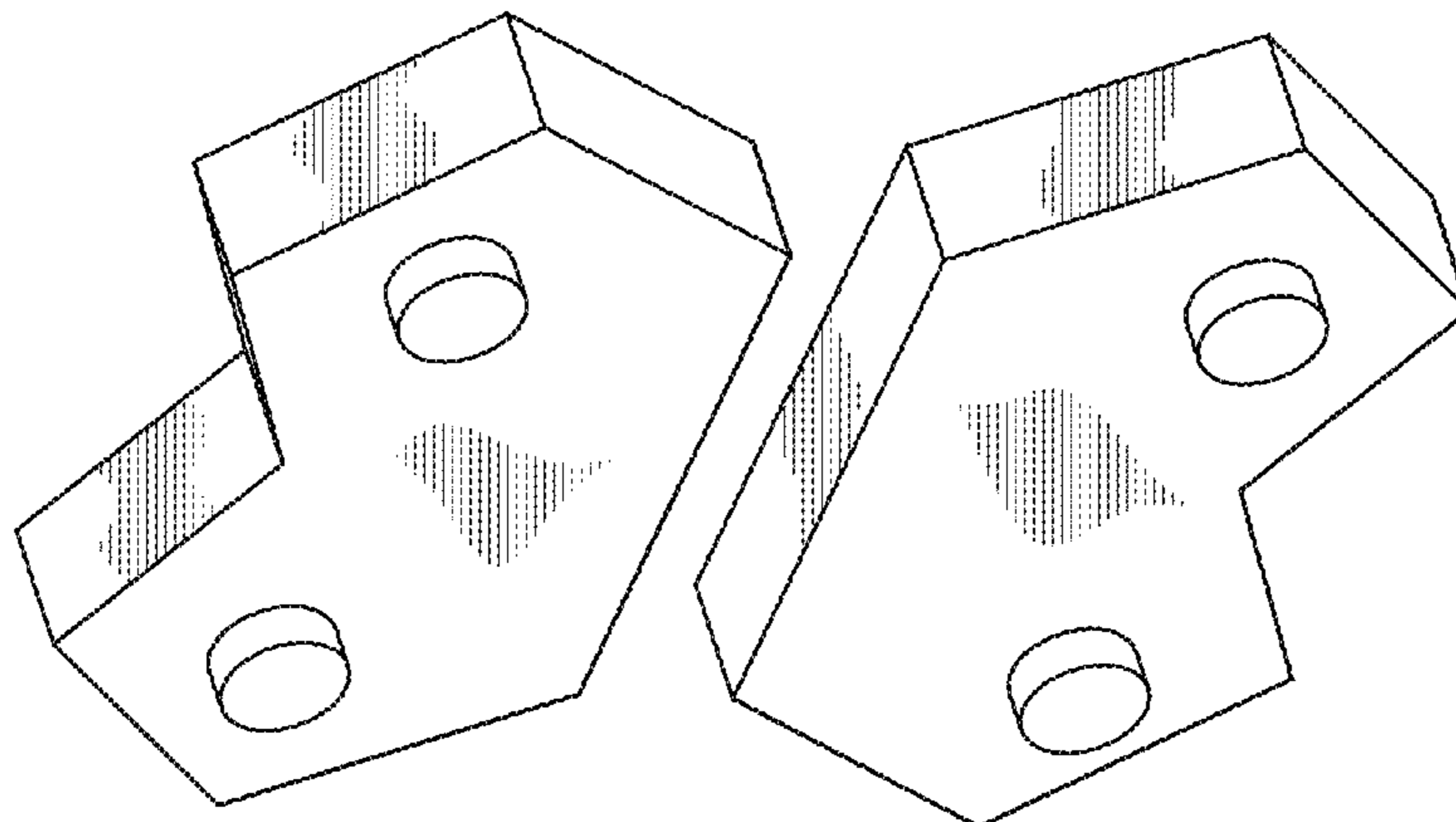
*Primary Examiner* — Garth Rademaker  
*Assistant Examiner* — Aula Soroush

(57) **CLAIM**  
The ornamental design for a traction element for a shoe outsole, as shown and described.

**DESCRIPTION**

FIG. 1 is a perspective view of a traction element for a shoe outsole showing my new design;  
FIG. 2 is a top plan view thereof;  
FIG. 3 is a bottom plan view thereof;  
FIG. 4 is a left side elevated view thereof;  
FIG. 5 is a right elevated view thereof;  
FIG. 6 is a front elevated view thereof; and,  
FIG. 7 is a rear elevated view thereof.

**1 Claim, 4 Drawing Sheets**



(56)

**References Cited**

U.S. PATENT DOCUMENTS

8,246,881 B2	8/2012	Maranan et al.	
D667,205 S	9/2012	Campbell et al.	
D677,453 S	3/2013	Sakai	
D679,077 S	4/2013	Haimerl	
8,516,720 B2	8/2013	Gerber	
D707,023 S	6/2014	Della Valle et al.	
D707,933 S	7/2014	McCourt	
D725,358 S	3/2015	Francis et al.	
D733,414 S *	7/2015	Butler .....	D2/951
D733,416 S *	7/2015	Butler .....	D2/951
D734,009 S *	7/2015	Butler .....	D2/951
D740,007 S *	10/2015	Lan .....	D2/951
D742,107 S *	11/2015	Kasprzak .....	D2/951
D743,678 S *	11/2015	Dombrow .....	D2/951
D744,213 S *	12/2015	Kasprzak .....	D2/951
D744,733 S *	12/2015	Adam .....	D2/951
D746,563 S *	1/2016	Dombrow .....	D2/951
2003/0172548 A1	9/2003	Fuerst	
2005/0072026 A1	4/2005	Sink	
2006/0005423 A1	1/2006	Wu	
2010/0170106 A1	7/2010	Brewer et al.	
2012/0000095 A1	1/2012	Torrance	
2012/0110876 A1	5/2012	Lubart	
2013/0049257 A1	2/2013	Maranan et al.	
2014/0325871 A1	11/2014	Price et al.	

\* cited by examiner

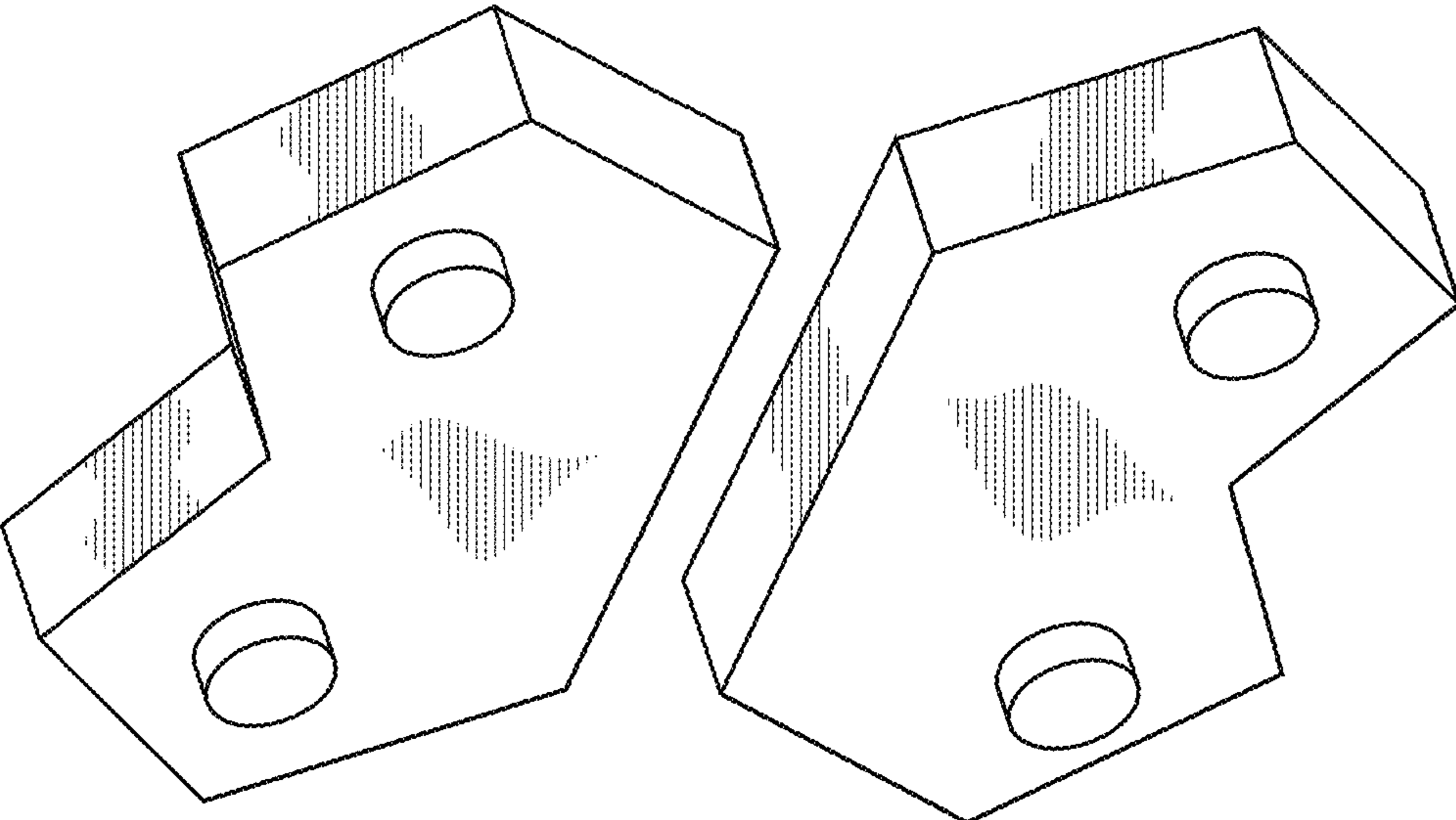


FIG.1

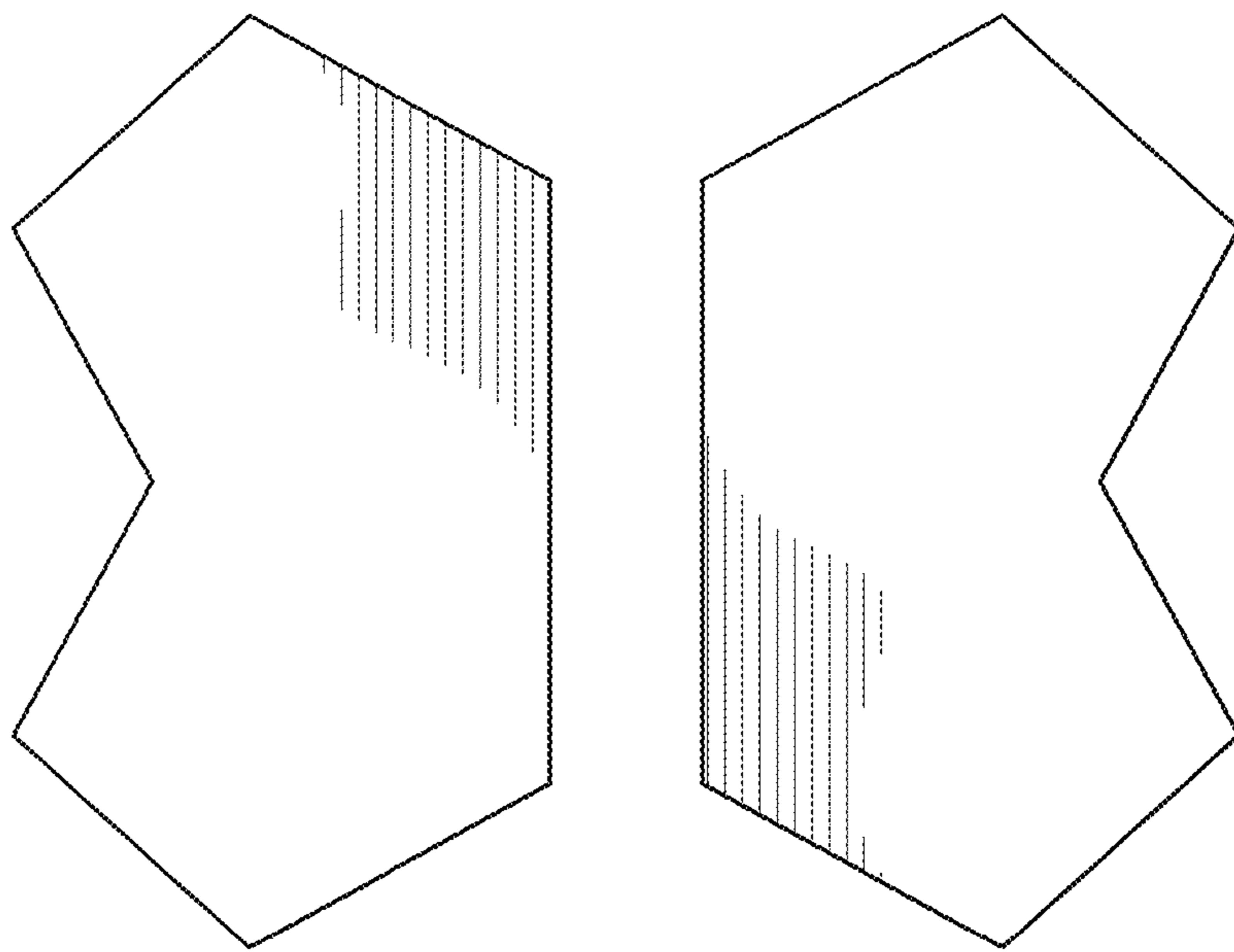


FIG. 2

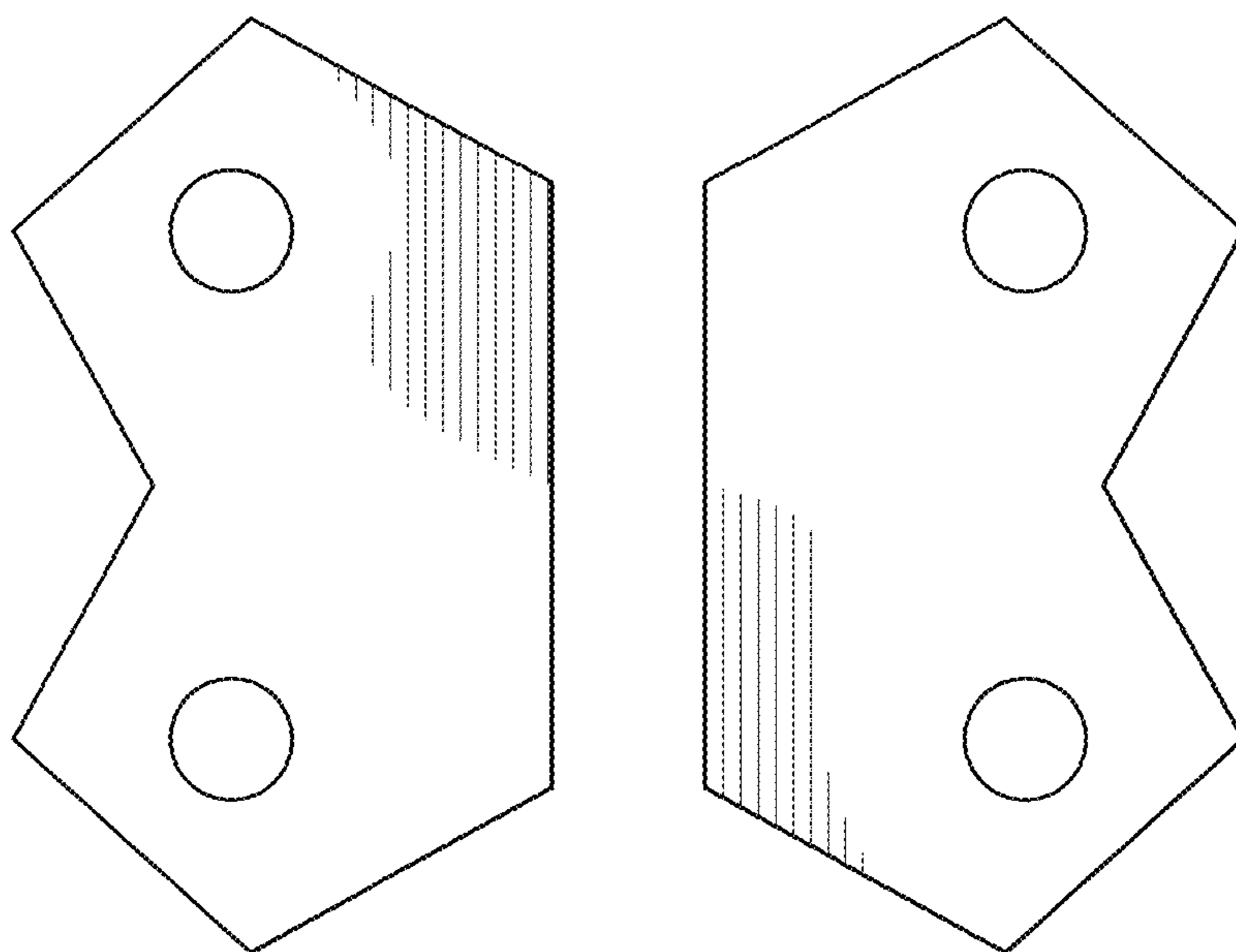


FIG. 3

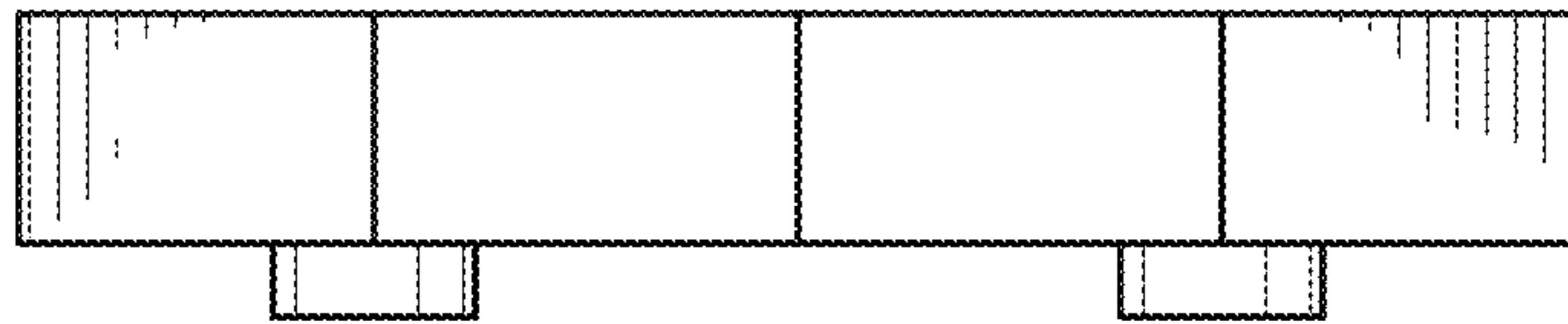


FIG.4

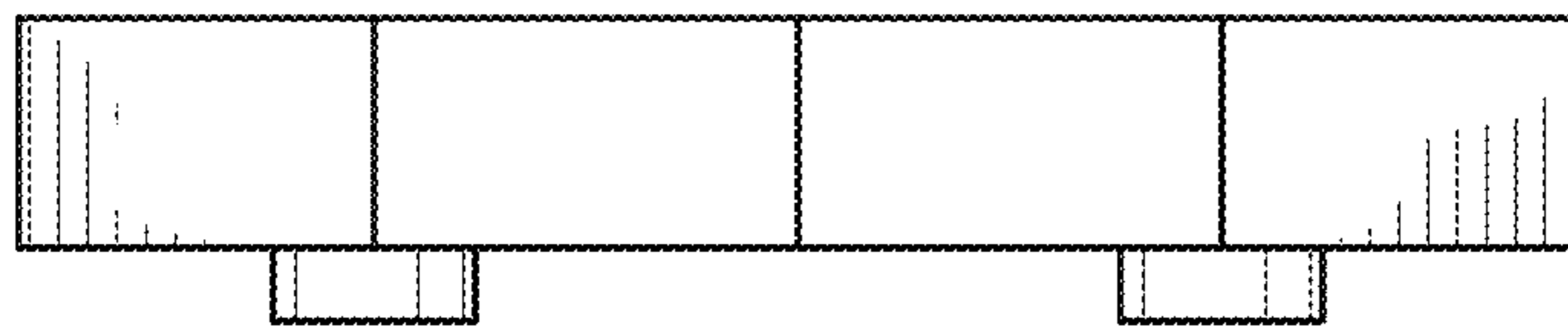


FIG.5

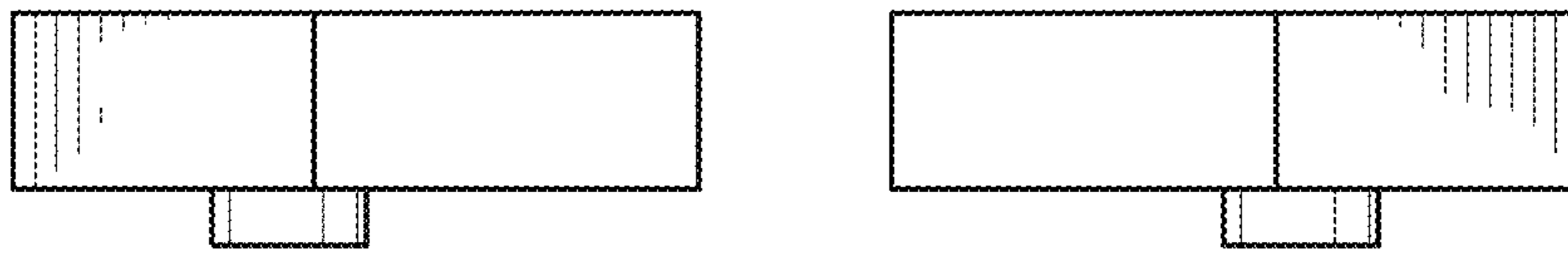


FIG. 6

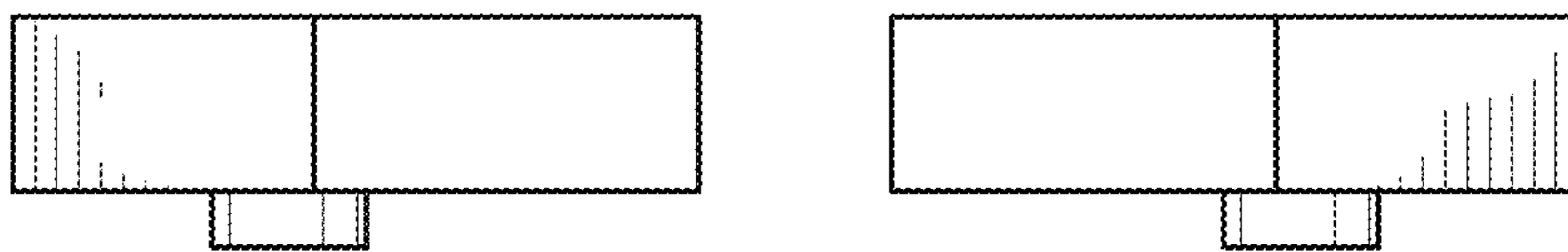


FIG. 7