



US00D771357S

(12) **United States Design Patent**
Brewer

(10) **Patent No.:** **US D771,357 S**

(45) **Date of Patent:** **** Nov. 15, 2016**

(54) **CAP BILL WITH WAVY EDGE**

(71) Applicant: **Dominicke Brewer**, Killeen, TX (US)

(72) Inventor: **Dominicke Brewer**, Killeen, TX (US)

(**) Term: **15 Years**

(21) Appl. No.: **29/546,965**

(22) Filed: **Nov. 30, 2015**

Related U.S. Application Data

(62) Division of application No. 29/462,203, filed on Jul. 31, 2013, now Pat. No. Des. 744,208.

(51) **LOC (10) Cl.** **02-03**

(52) **U.S. Cl.**
USPC **D2/893**

(58) **Field of Classification Search**
USPC D2/865, 866, 867, 868, 869, 870, 871,
D2/872, 873, 874, 875, 876, 878, 879, 881,
D2/882, 883, 884, 889, 890, 891, 892, 893,
D2/894, 895
CPC A42B 1/004; A42B 1/006; A42B 1/02;
A42B 1/04; A42B 1/041; A42B 1/062;
A42B 1/063; A42B 1/064; A42B 1/22;
A42B 1/201; A42B 1/208; A42B 1/248;
A42C 5/02; A42C 5/04; A61F 9/045
See application file for complete search history.

(56) **References Cited**

U.S. PATENT DOCUMENTS

893,548 A * 7/1908 Rosenfeld A42B 1/006
2/195.1
D121,538 S * 7/1940 Bressler D2/877

(Continued)

FOREIGN PATENT DOCUMENTS

KR 300549793.0003 * 1/2010
KR 300587577.0000 * 2/2011

Primary Examiner — Karen E. Eldridge Powers

Assistant Examiner — Kimberly Barnes

(74) *Attorney, Agent, or Firm* — David O. Simmons

(57) **CLAIM**

The ornamental design for a cap bill with wavy edge, as shown and described.

DESCRIPTION

FIG. 1 is a front perspective view of a cap bill with wavy edge in accordance with a first embodiment of the present invention;

FIG. 2 is a top plan view of the cap bill with wavy edge shown in FIG. 1;

FIG. 3 is front elevation view of the cap bill with wavy edge shown in FIG. 1;

FIG. 4 is a left side elevation view of the cap bill with wavy edge shown in FIG. 1 wherein a right side elevation view of the cap bill with wavy edge shown in FIG. 1 is a mirror image of FIG. 4;

FIG. 5 is a bottom plan view of the cap bill with wavy edge shown in FIG. 1;

FIG. 6 is a front perspective view of a cap bill with wavy edge in accordance with a second embodiment of the present invention;

FIG. 7 is a top plan view of the cap bill with wavy edge shown in FIG. 6;

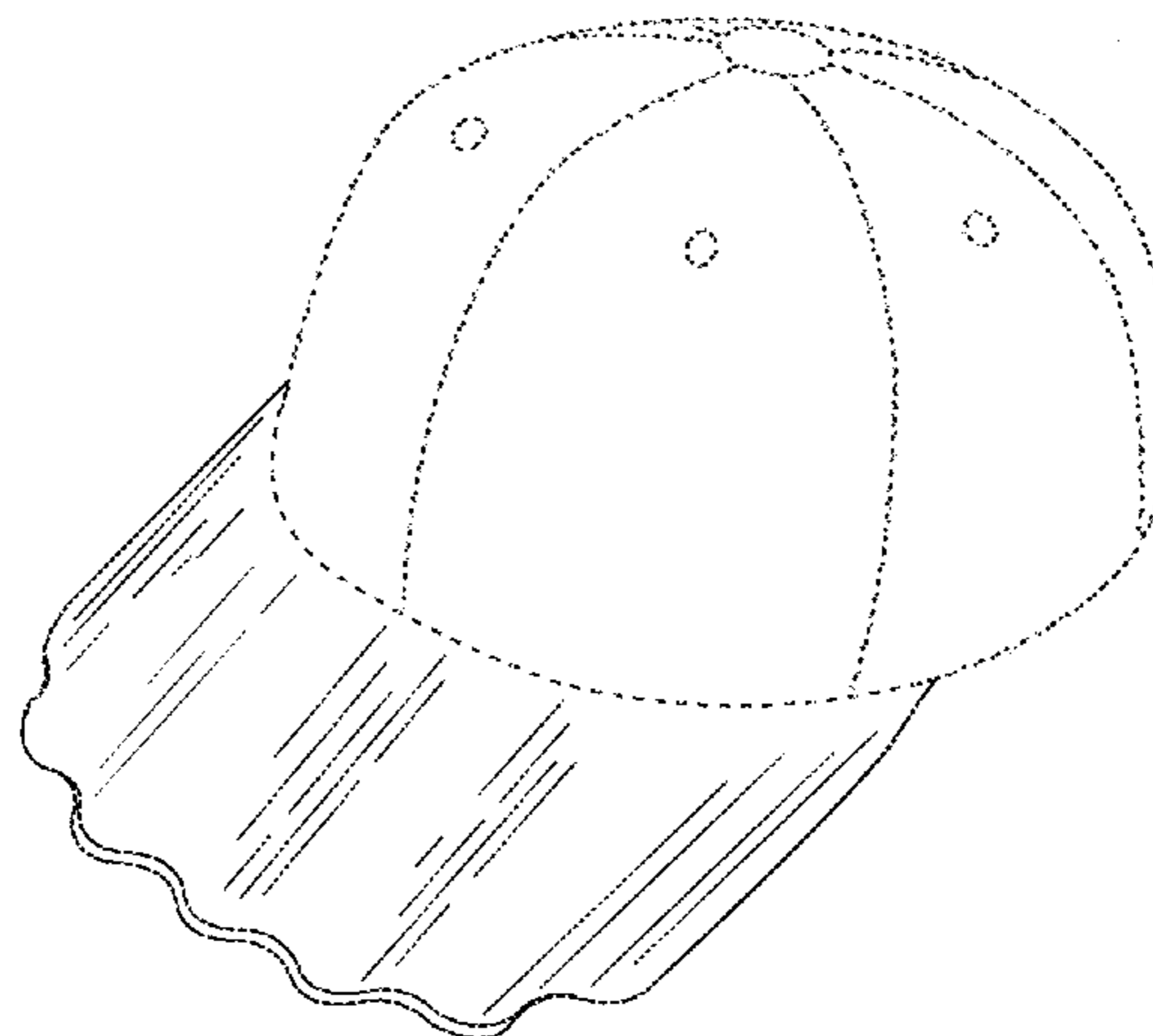
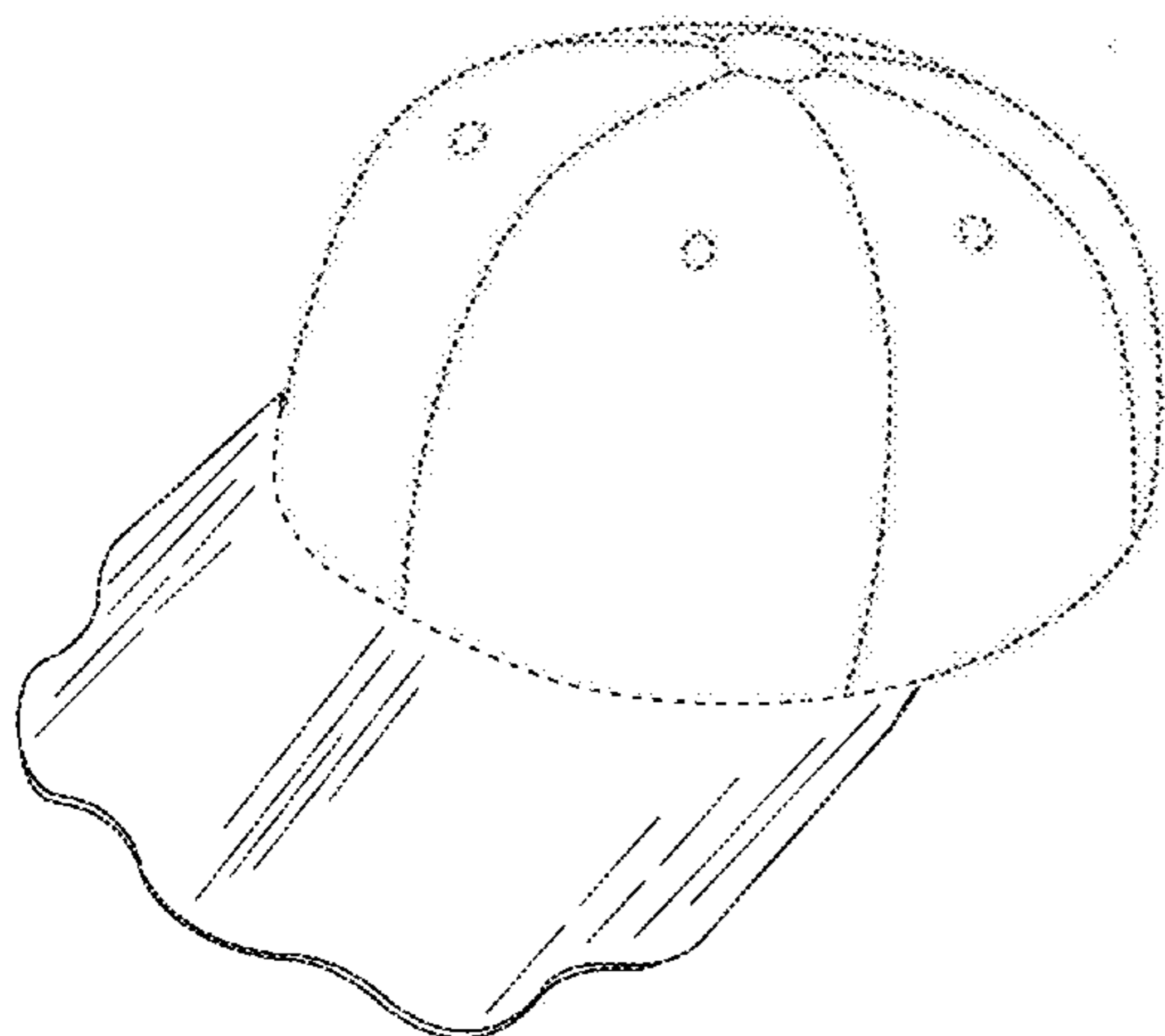
FIG. 8 is front elevation view of the cap bill with wavy edge shown in FIG. 6;

FIG. 9 is a left side elevation view of the cap bill with wavy edge shown in FIG. 6 wherein a right side view of the cap bill with wavy edge shown in FIG. 6 is a mirror image of FIG. 9; and,

FIG. 10 is a bottom plan view of the cap bill with wavy edge shown in FIG. 11.

The broken lines showing a cap crown portion in FIGS. 1-10 depict environmental subject matter and form no part of the claimed design.

1 Claim, 6 Drawing Sheets



(56)

References Cited

U.S. PATENT DOCUMENTS

D170,061 S *	7/1953	Maxwell et al.	D2/886	D551,827 S *	10/2007	Saveliev	D2/893
2,827,636 A *	3/1958	Hoeflich	A42B 1/208	D552,330 S *	10/2007	Saveliev	D2/893
				2/195.1	D552,331 S *	10/2007	Saveliev	D2/893
4,057,855 A *	11/1977	Hovhannessian	A42B 1/008	D552,332 S *	10/2007	Saveliev	D2/893
				2/171.03	D554,829 S *	11/2007	Saveliev	D2/893
5,457,821 A *	10/1995	Kiefer	A42B 1/004	D556,429 S *	12/2007	Saveliev	D2/893
				2/171	D557,881 S *	12/2007	Saveliev	D2/893
D415,604 S	10/1999	Schleh			D570,578 S	6/2008	Hornback et al.		
5,991,916 A *	11/1999	Sierra	A42B 1/062	D584,031 S *	1/2009	Grandfield	D2/882
				2/12	D617,981 S *	6/2010	Hines	D2/893
D444,292 S *	7/2001	Wang	D2/882	D656,714 S *	4/2012	Schmelzer	D2/893
D455,538 S *	4/2002	Rhoden	D2/869	D712,635 S *	9/2014	Rivas	D2/882
D477,453 S *	7/2003	Noble	D2/882	D721,875 S *	2/2015	Sarazin	D2/893
D478,709 S *	8/2003	Lee	D2/882	2006/0143793 A1 *	7/2006	Liao	A42B 1/063
D548,429 S *	8/2007	Saveliev	D2/882					2/195.6
					2008/0028498 A1 *	2/2008	Beheton	A42B 1/062
									2/175.1

* cited by examiner

FIG. 1

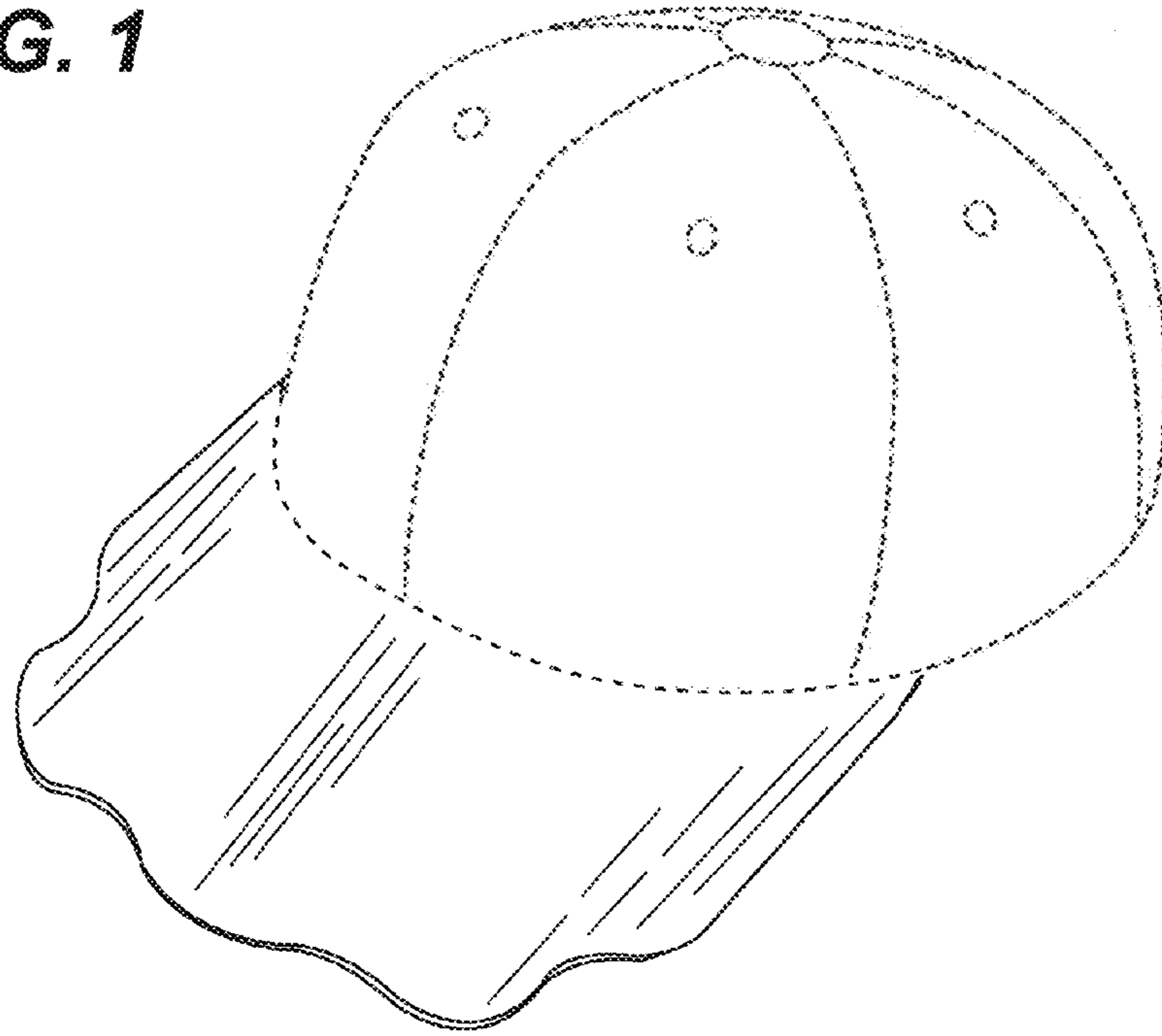


FIG. 2

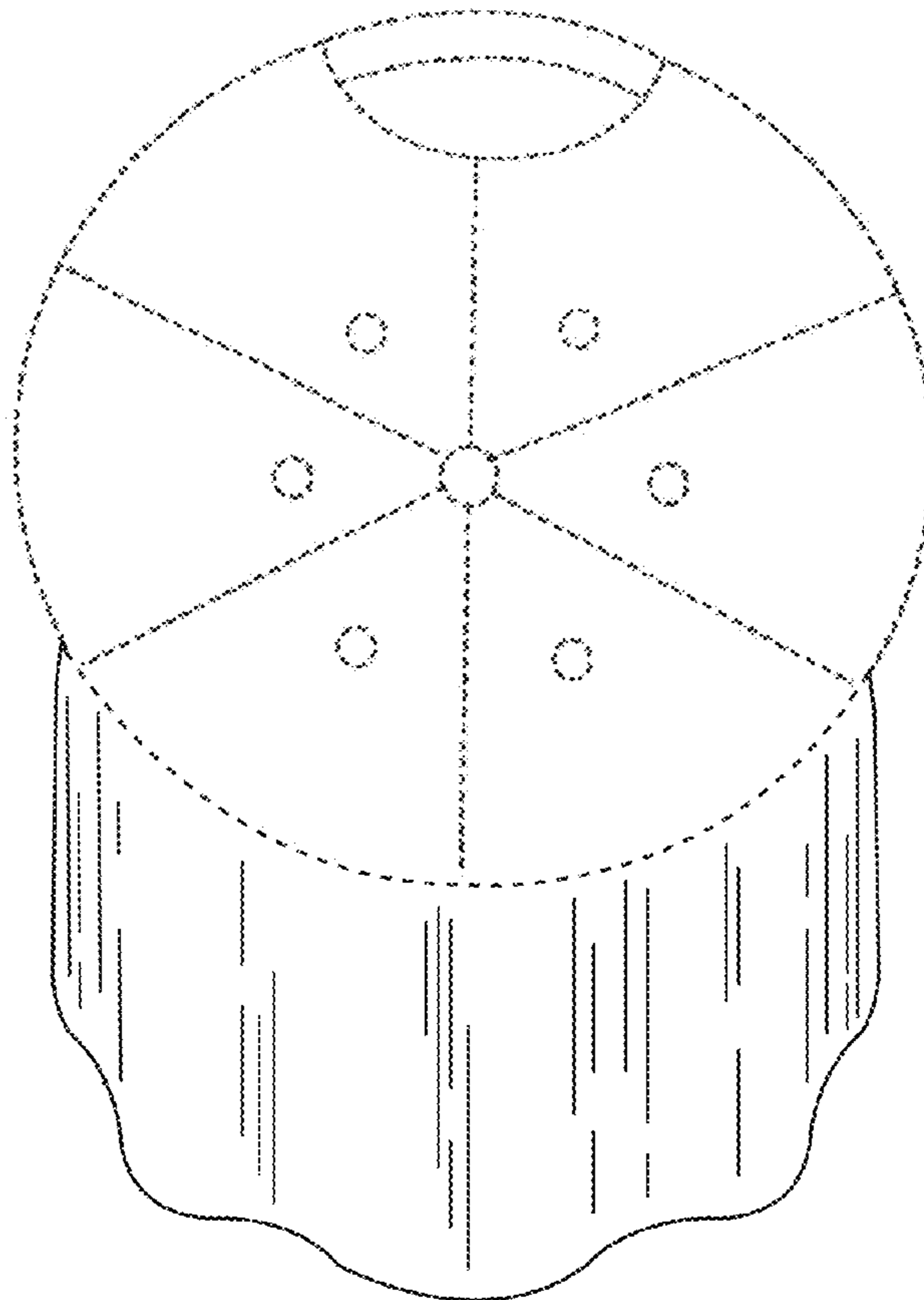


FIG. 3

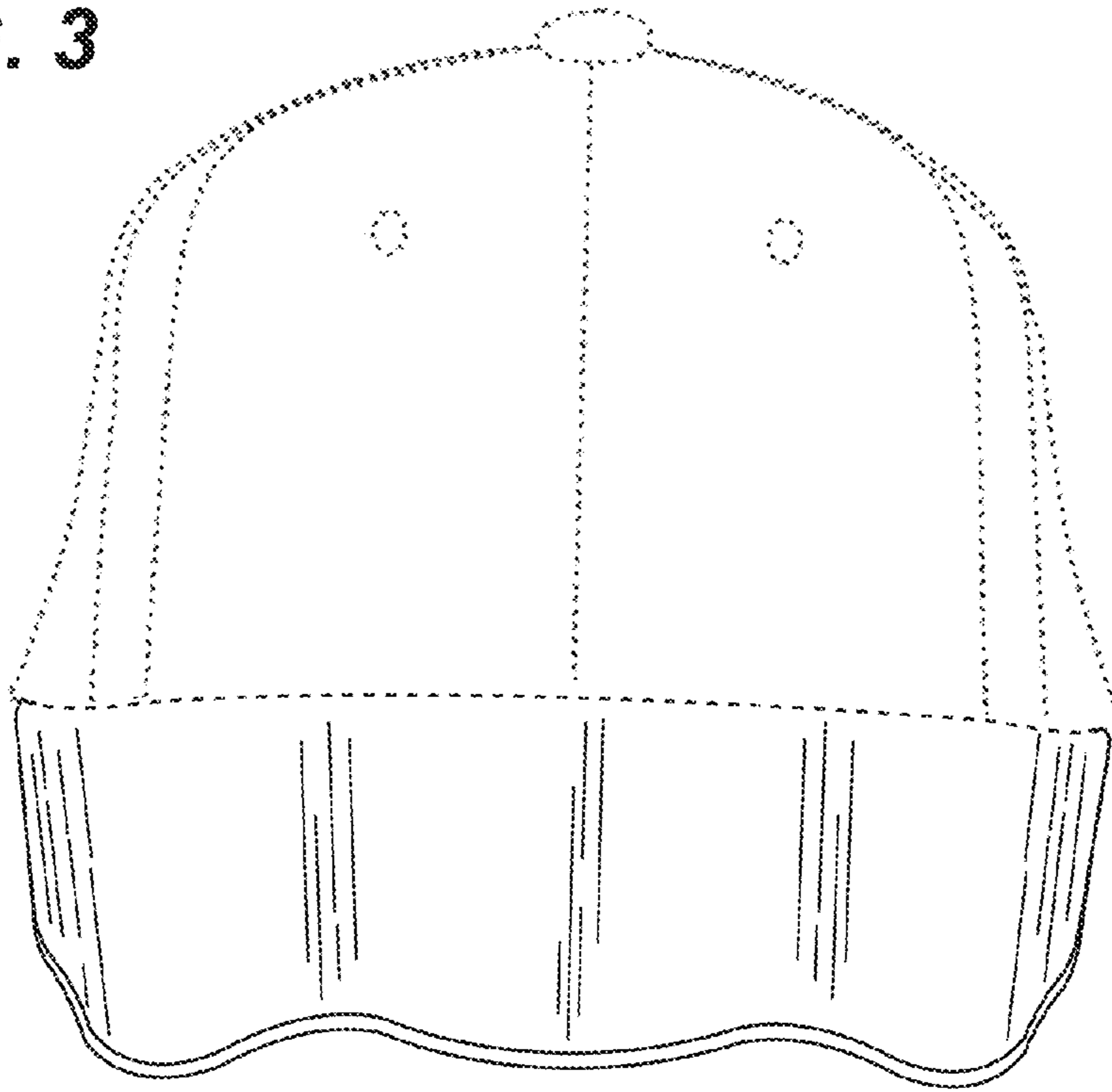


FIG. 4

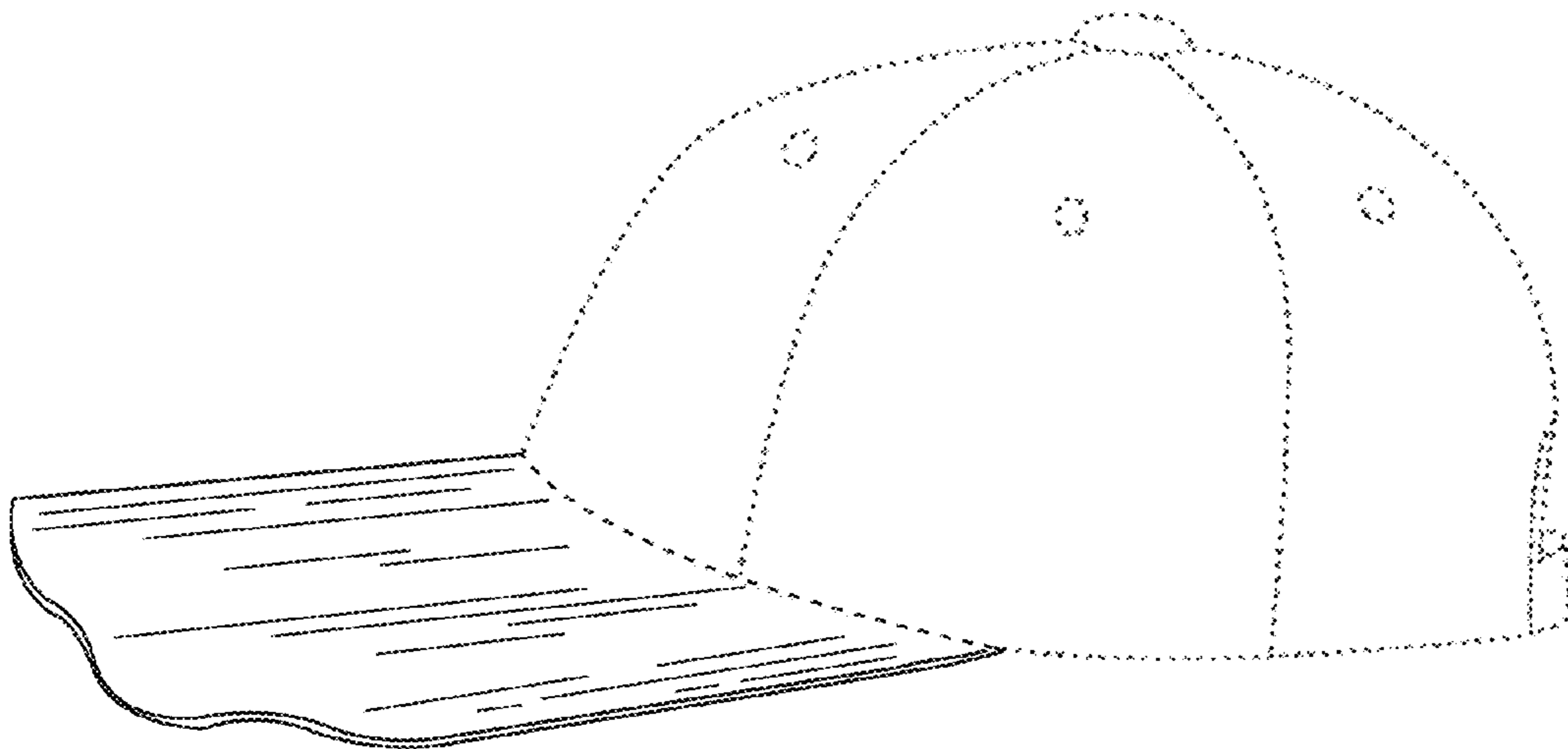


FIG. 5

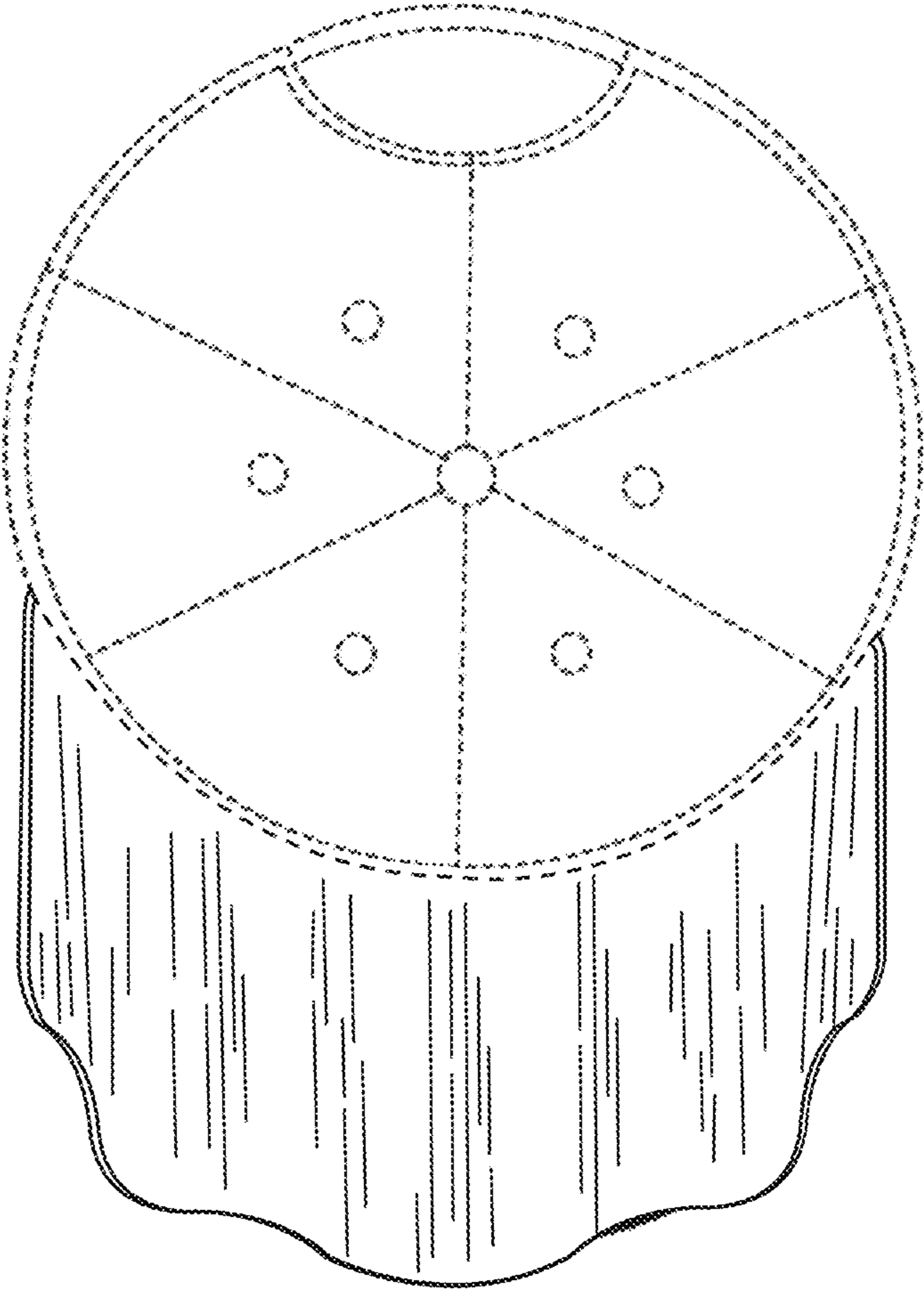


FIG. 6

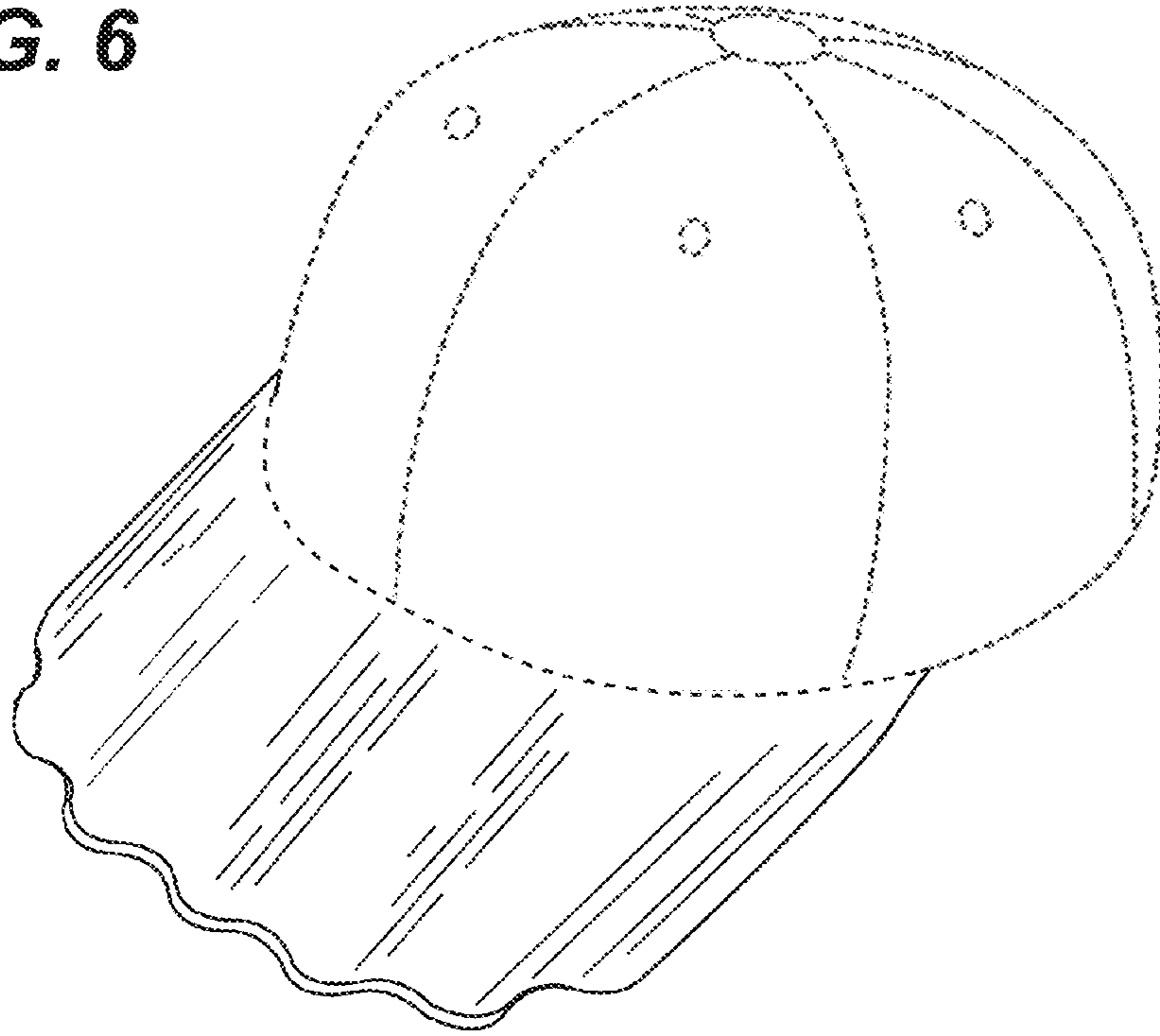


FIG. 7

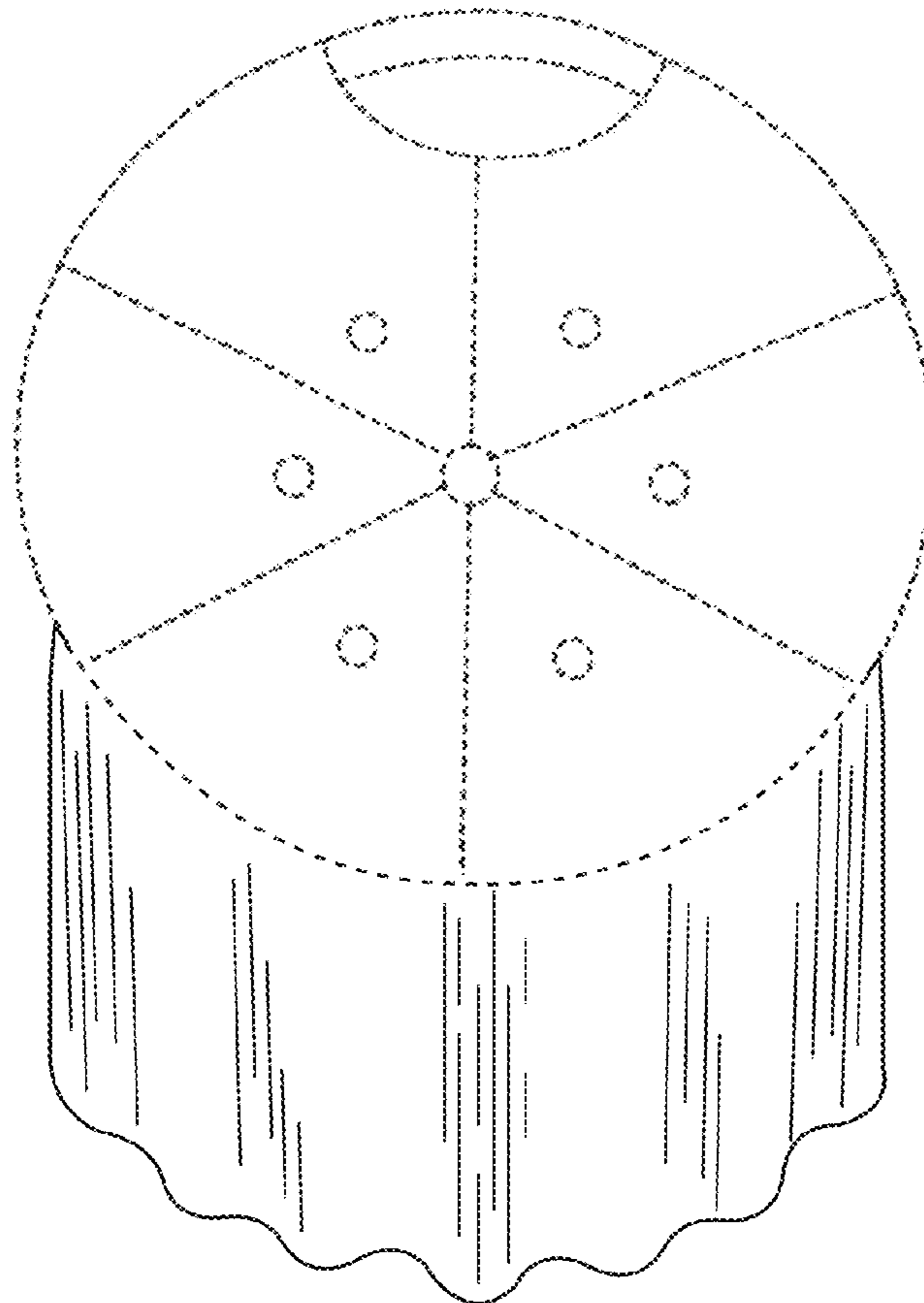


FIG. 8

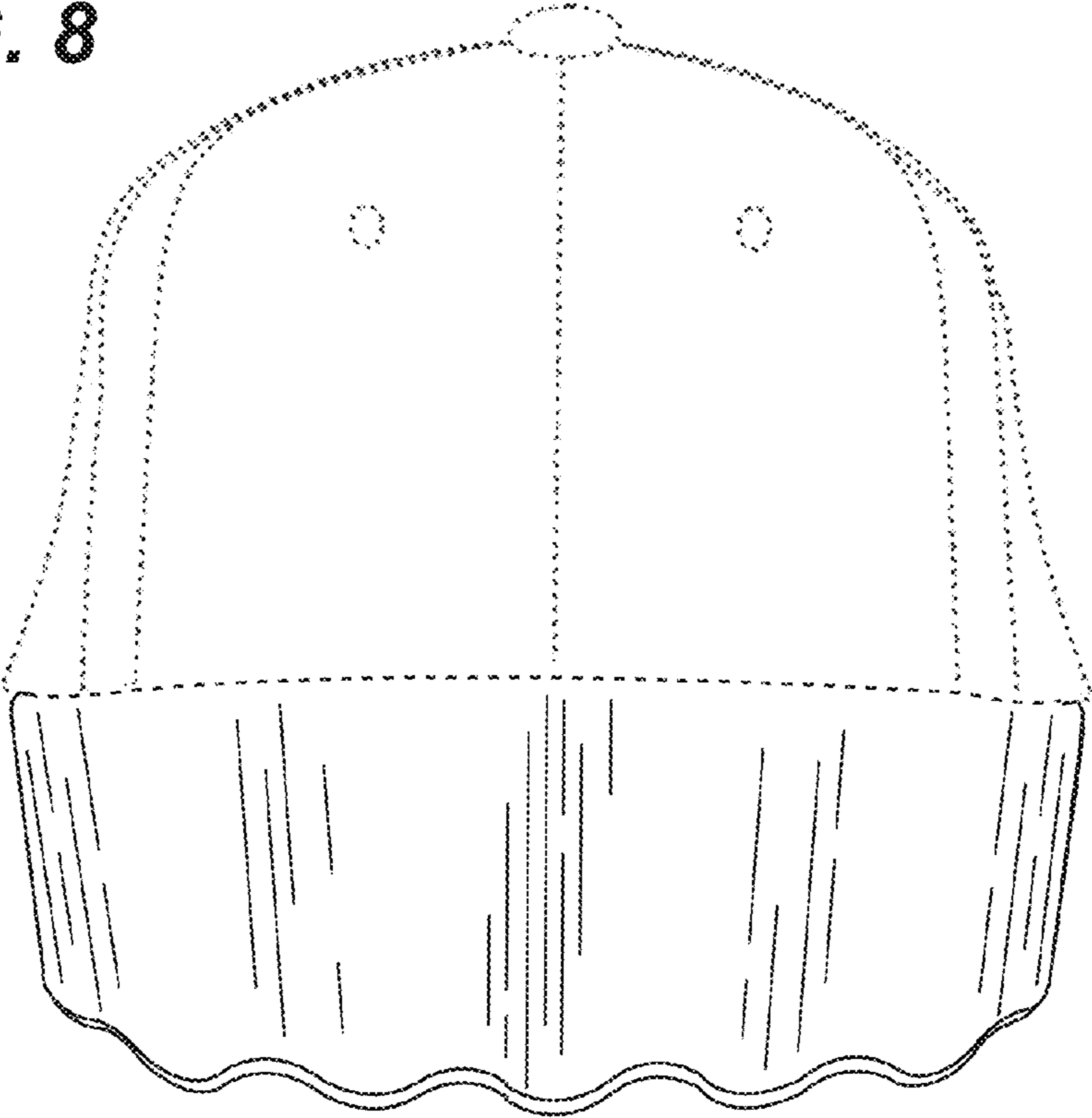


FIG. 9

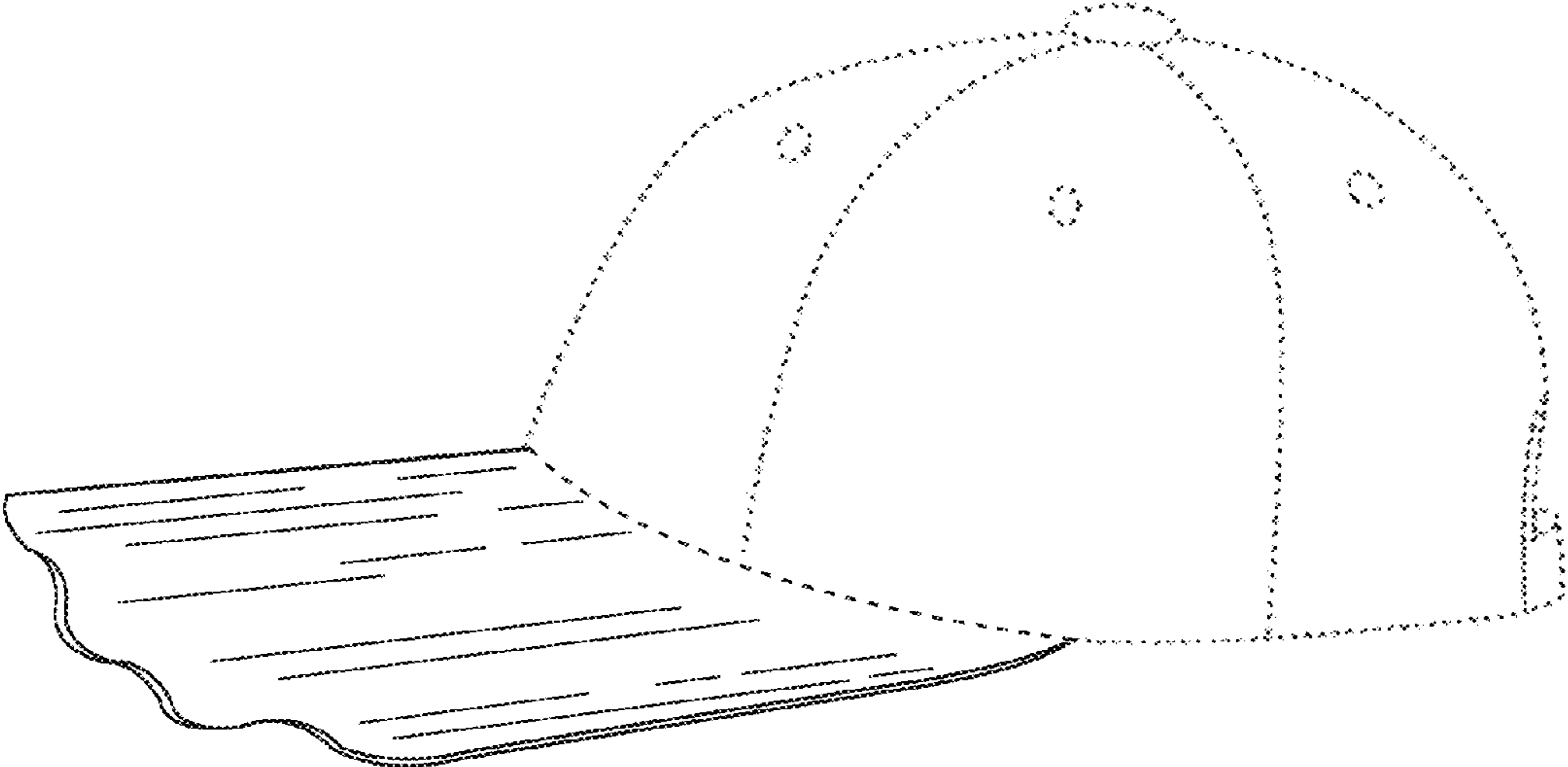


FIG. 10

