



US00D771350S

(12) **United States Design Patent** (10) **Patent No.:** **US D771,350 S**
Gati (45) **Date of Patent:** **** Nov. 15, 2016**

(54) **COMPRESSED CONFECTIONERY TABLET**

(71) Applicant: **WM. WRIGLEY JR. COMPANY,**
Chicago, IL (US)

(72) Inventor: **Kyle Gati,** Chicago, IL (US)

(73) Assignee: **WM. WRIGLEY JR. COMPANY,**
Chicago, IL (US)

(**) Term: **14 Years**

(21) Appl. No.: **29/520,763**

(22) Filed: **Mar. 17, 2015**

(51) **LOC (10) Cl.** **01-01**

(52) **U.S. Cl.**
USPC **D1/130; D1/127**

(58) **Field of Classification Search**
USPC D1/100–130, 199; 426/104, 108, 138,
426/391, 549, 808, 94, 143, 559, 560;
D11/12, 24, 40, 43, 79, 86, 95;
D24/101–104; 446/118, 128; D21/484,
D21/503; D9/707, 756, 429, 435, 451, 452,
D9/454, 503, 529; D28/8.1
See application file for complete search history.

(56) **References Cited**

U.S. PATENT DOCUMENTS

D157,728 S * 3/1950 Bianchi D1/127
D269,718 S * 7/1983 Tovey 424/467

D269,721 S * 7/1983 Tovey 424/467
D285,492 S * 9/1986 Tovey D24/101
D310,440 S * 9/1990 Puglisi D1/127
D314,855 S * 2/1991 Puglisi D1/127
D365,875 S * 1/1996 Bradbury D24/101
D376,317 S * 12/1996 Weiss D9/435
D405,879 S * 2/1999 Leonard D24/101
D517,407 S * 3/2006 Floyd D9/435
D676,327 S * 2/2013 Rice D9/452
D726,308 S * 4/2015 Shubin, Sr. D24/121
D732,791 S * 6/2015 Enoch D1/127

* cited by examiner

Primary Examiner — Garth Rademaker
Assistant Examiner — Katie S Mroczka

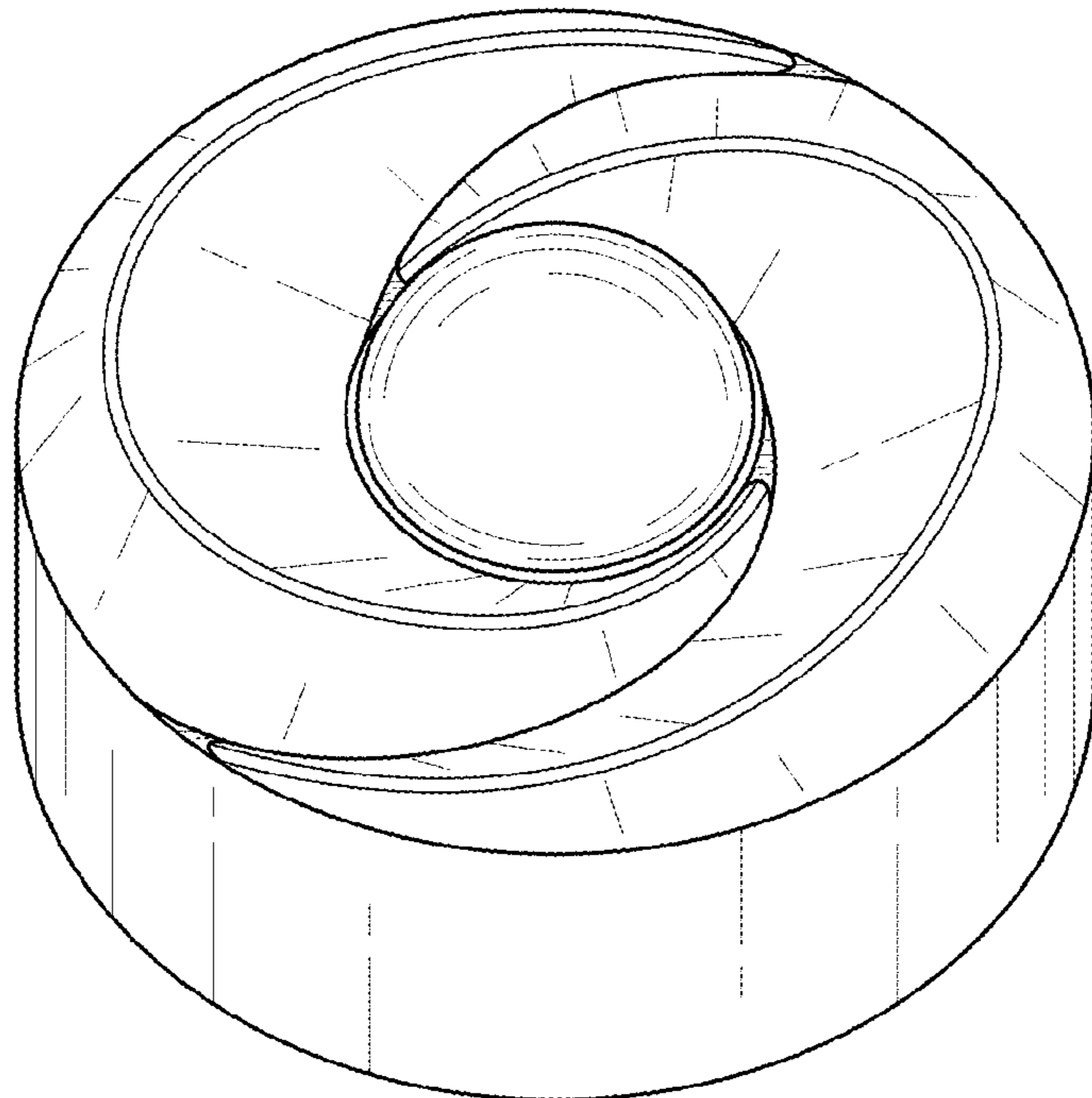
(57) **CLAIM**

The ornamental design for a compressed confectionery tablet, as shown and described.

DESCRIPTION

FIG. 1 is a right perspective view of a compressed confectionery tablet showing my new design;
FIG. 2 is a front elevation view of FIG. 1;
FIG. 3 is a rear elevation view of FIG. 1;
FIG. 4 is a left side elevation view of FIG. 1;
FIG. 5 is a right side elevation view of FIG. 1;
FIG. 6 is a top plan view of FIG. 1; and,
FIG. 7 is a bottom plan view of FIG. 1.

1 Claim, 3 Drawing Sheets



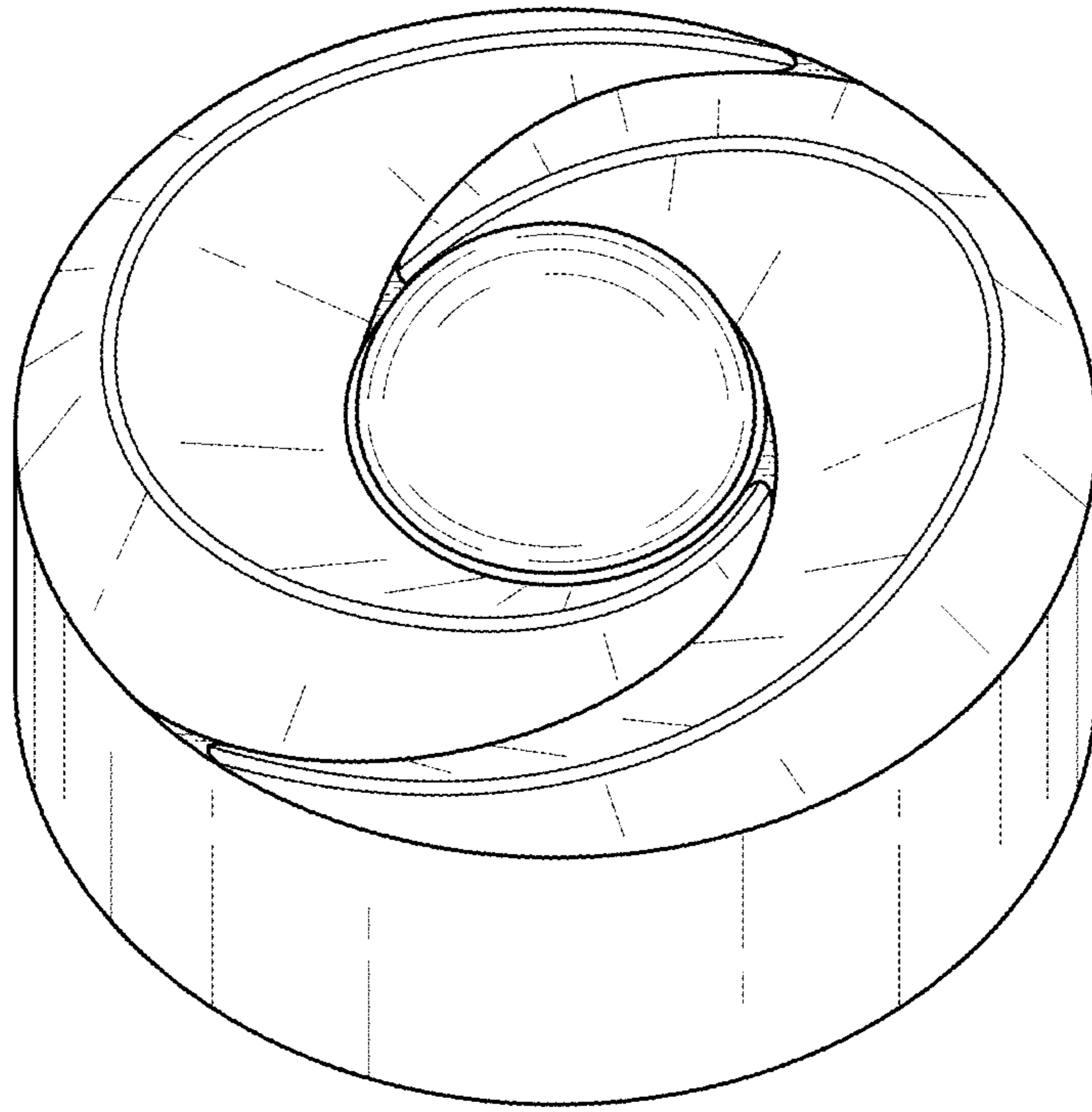


FIG. 1

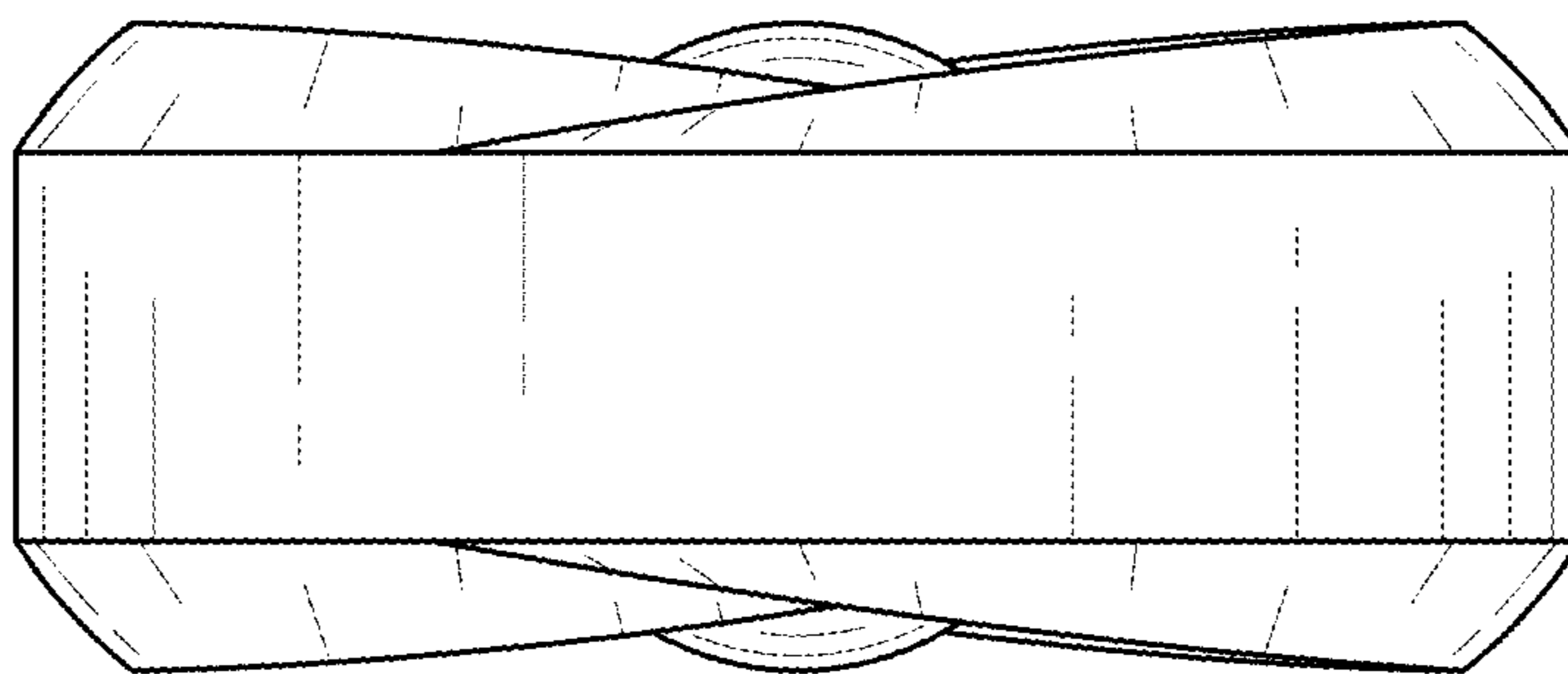


FIG. 2

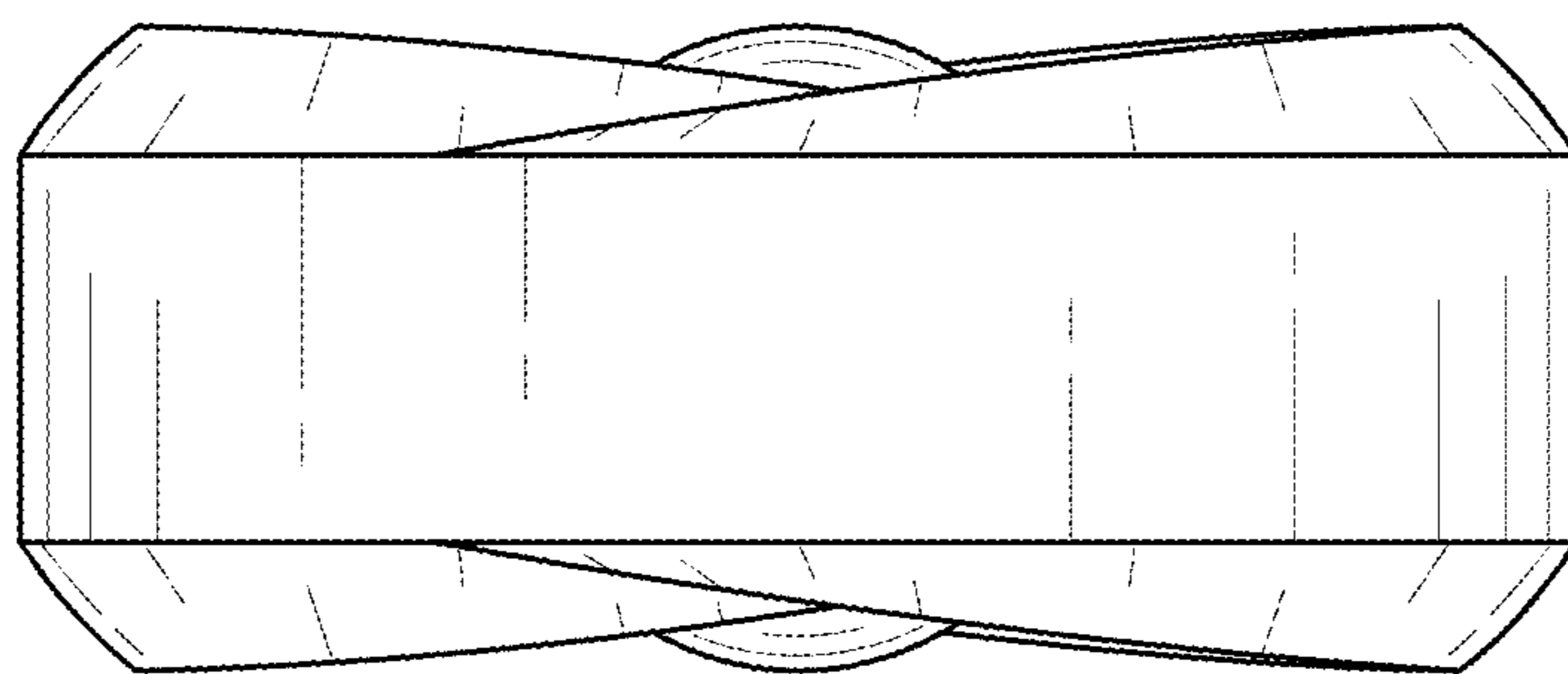


FIG. 3

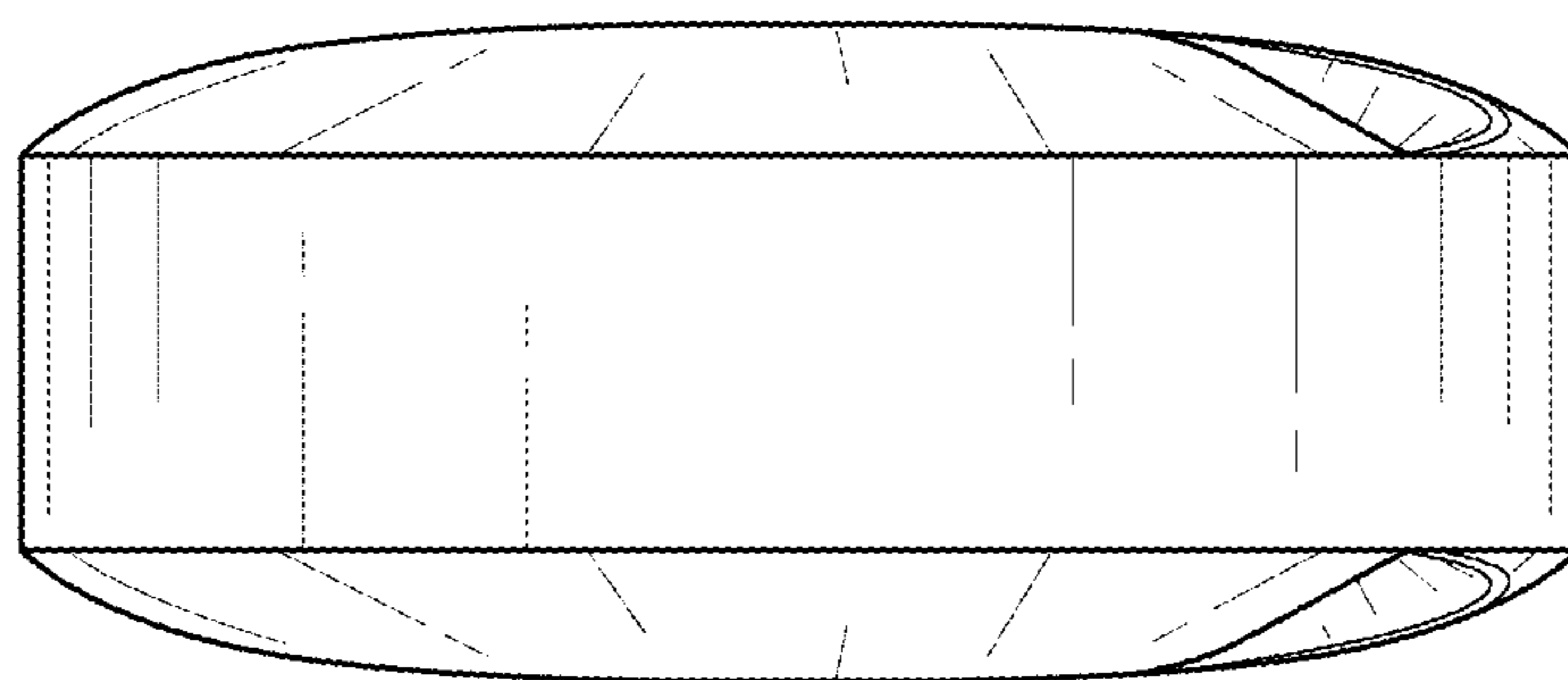


FIG. 4

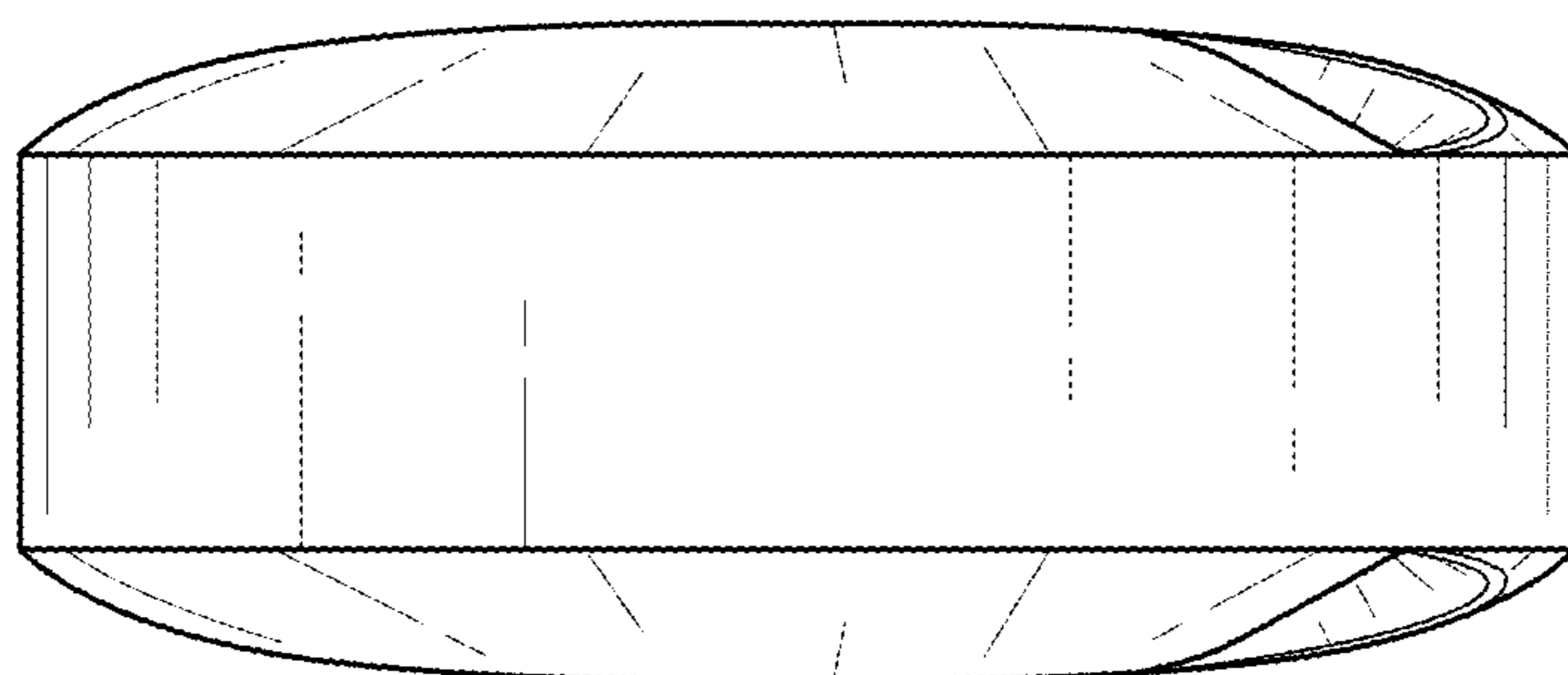


FIG. 5

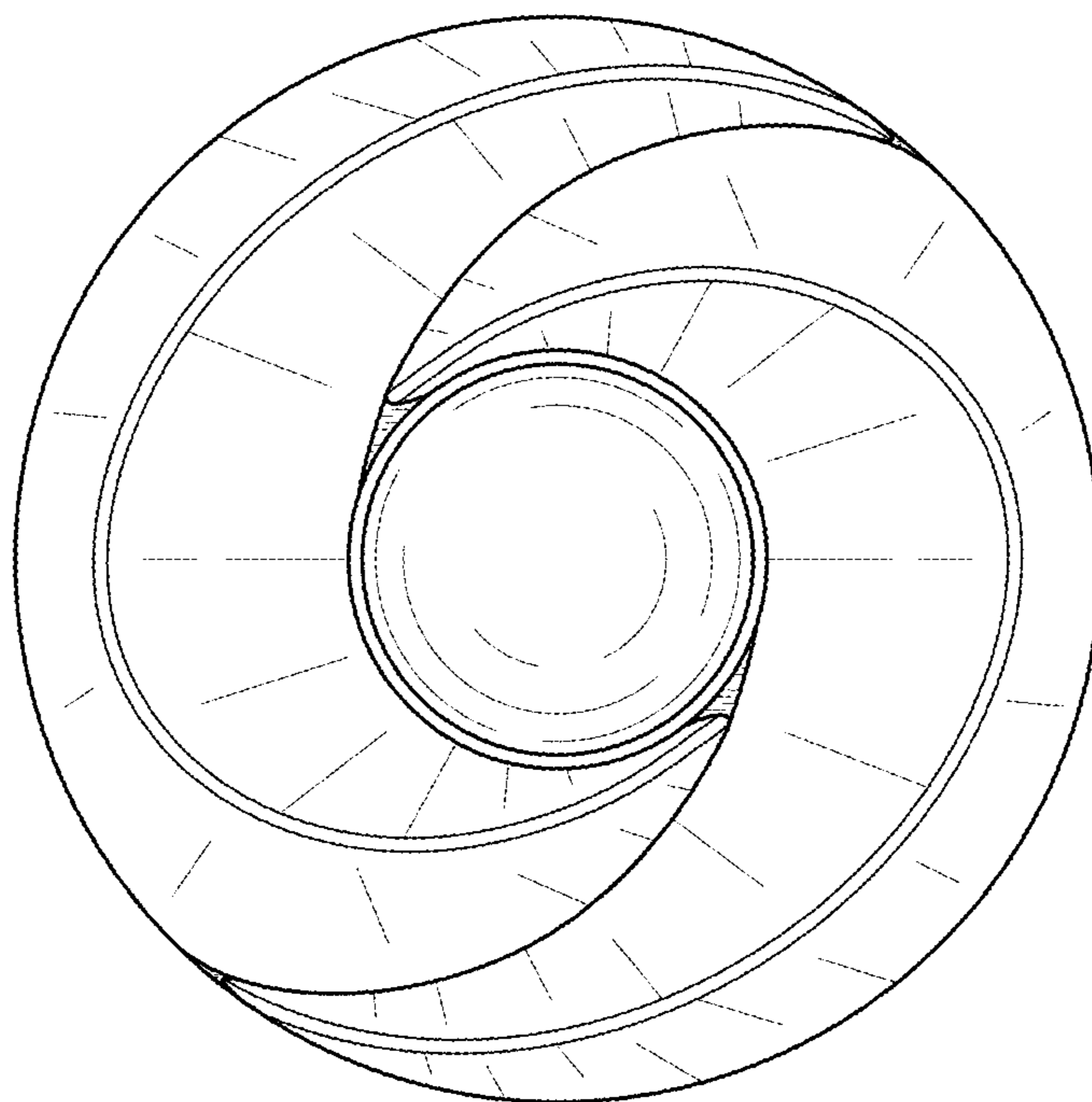


FIG. 6

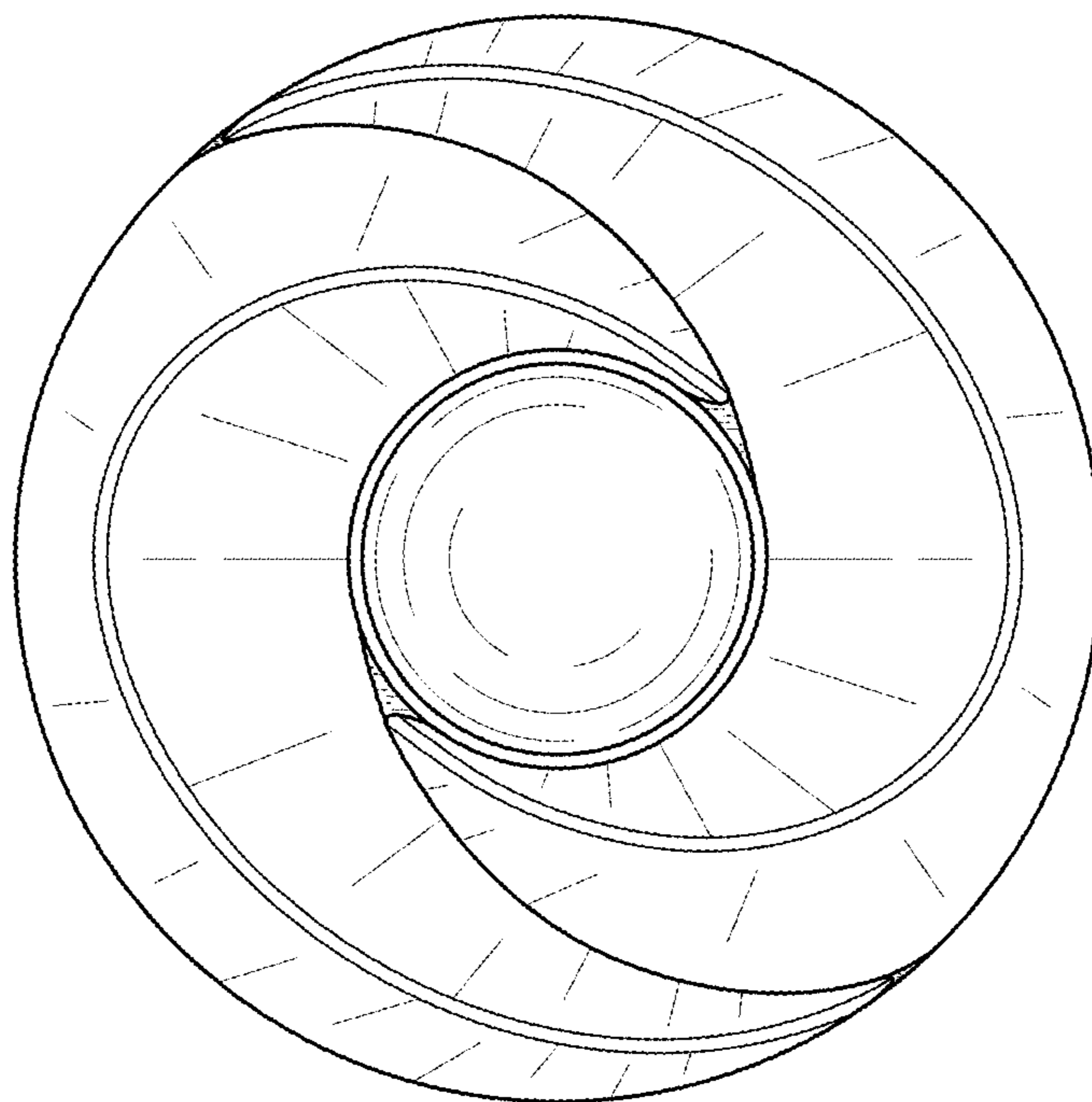


FIG. 7