



US00D771347S

(12) **United States Design Patent** (10) **Patent No.:** **US D771,347 S**  
**Kelly** (45) **Date of Patent:** **\*\* Nov. 8, 2016**

(54) **MAILBOX**  
(71) Applicant: **John G. Kelly**, Raleigh, NC (US)  
(72) Inventor: **John G. Kelly**, Raleigh, NC (US)  
(73) Assignee: **John G. Kelly**, Raleigh, NC (US)  
(\*\*) Term: **14 Years**

D335,755 S 5/1993 Davis et al.  
D335,903 S 5/1993 Swindle  
D354,826 S 1/1995 Werner  
5,400,959 A \* 3/1995 Cone ..... A47G 29/1216  
232/34  
D360,741 S \* 7/1995 Bohlmann ..... D99/30  
5,449,111 A 9/1995 Sauzedde et al.  
D377,256 S 1/1997 Parrish, Jr.

(Continued)

(21) Appl. No.: **29/525,250**  
(22) Filed: **Apr. 28, 2015**  
(51) **LOC (10) Cl.** ..... **99-00**  
(52) **U.S. Cl.**  
USPC ..... **D99/29**  
(58) **Field of Classification Search**  
USPC ..... D99/28, 29, 30, 31, 32, 33, 43, 99;  
D20/6; 109/1 R, 1 V, 45, 58, 59 R, 66;  
232/1 R, 1 A, 1 C, 17, 19, 20, 21, 22, 24,  
232/27, 30, 37, 38  
CPC ..... A47G 29/12; A47G 29/1201; A47G  
29/1203; A47G 29/1205; A47G 29/1207;  
A47G 29/121; A47G 29/1212; A47G  
29/1214; A47G 29/1216; A47G 29/1218;  
A47G 29/122; A47G 29/1225; A47G 29/16;  
A47G 29/00

See application file for complete search history.

(56) **References Cited**

**U.S. PATENT DOCUMENTS**

1,543,072 A 6/1925 Fenner  
D196,467 S 10/1963 Alley  
D199,290 S 9/1964 Duncan et al.  
D200,452 S 2/1965 Duncan et al.  
3,243,104 A 3/1966 Fillion  
3,401,875 A 9/1968 Bruhns  
3,960,317 A 6/1976 Clement  
D254,455 S 3/1980 Cornwell, Jr. et al.  
4,524,905 A 6/1985 Crist  
4,726,512 A 2/1988 White  
4,755,915 A 7/1988 Rogers  
4,950,202 A 8/1990 Florio  
D315,821 S 3/1991 Lorenzi

**OTHER PUBLICATIONS**

Sears, Roebuck and Company, Mid-Century Modern Mailbox /  
1961 Sears Diamond Jubilee Catalog.

(Continued)

*Primary Examiner* — Elizabeth J Oswecki  
(74) *Attorney, Agent, or Firm* — Coats & Bennett, PLLC

(57) **CLAIM**

The ornamental design for a mailbox, as shown and described.

**DESCRIPTION**

FIG. 1 is a perspective view of a mailbox with a door of a mailbox in a closed position and a flag lowered showing my new design;

FIG. 2 is a front, bottom, perspective view thereof;

FIG. 3 is a bottom, rear perspective view thereof;

FIG. 4 is a right side elevation view thereof;

FIG. 5 is a left side elevation view thereof;

FIG. 6 is a front elevation view thereof;

FIG. 7 is a rear elevation view thereof;

FIG. 8 is a top plan view thereof;

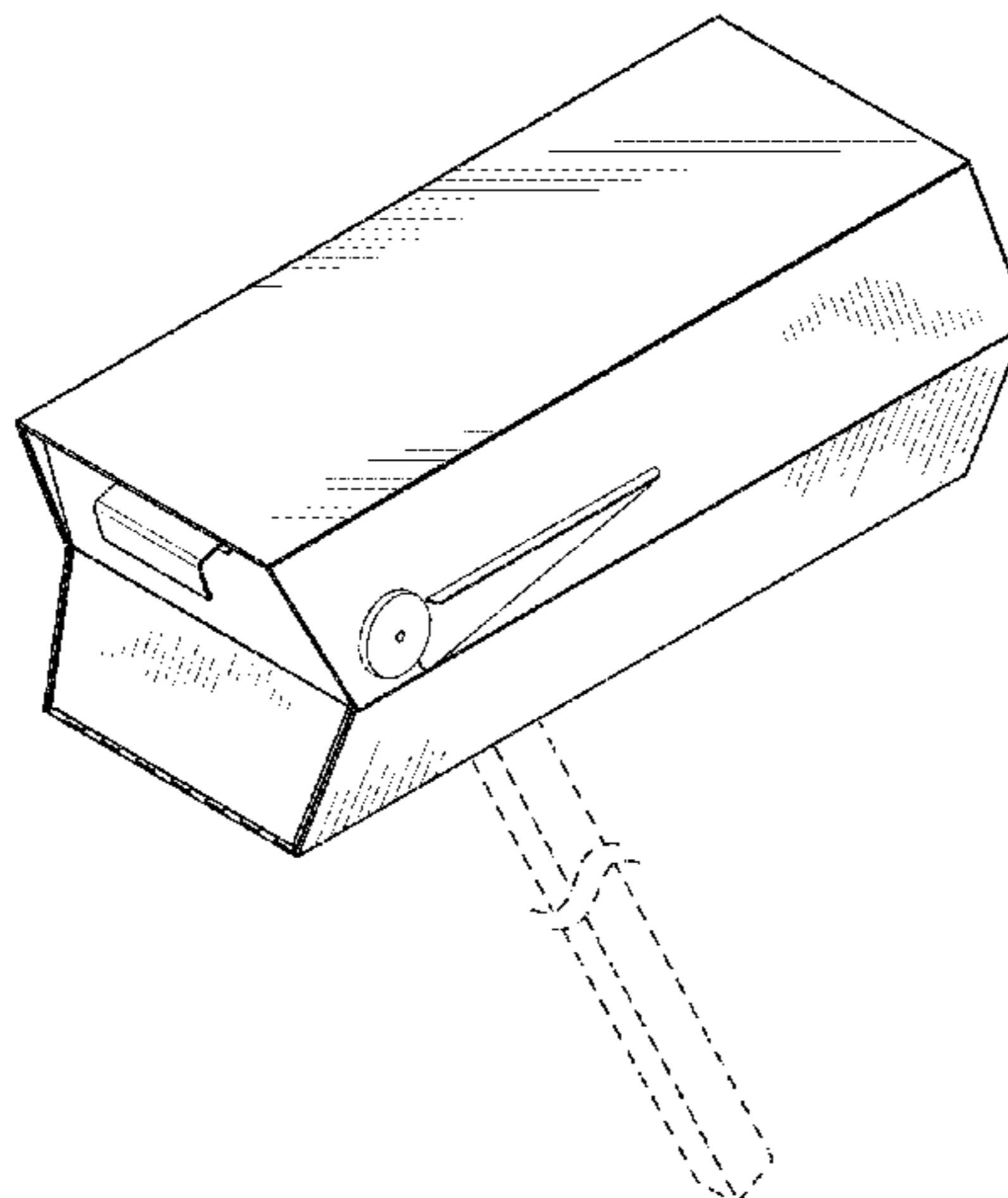
FIG. 9 is a bottom plan view thereof;

FIG. 10 is another bottom plan view thereof, with the post removed for ease of illustration; and,

FIG. 11 is a cross sectional view taken along line 11-11 of FIG. 9.

The broken lines illustrating portions of the mailbox form no part of the claimed design.

**1 Claim, 10 Drawing Sheets**



(56)

References Cited

U.S. PATENT DOCUMENTS

5,664,729 A 9/1997 Ladewig  
 D390,328 S 2/1998 Barton, Jr.  
 D413,704 S 9/1999 Metcheer, III  
 D438,363 S 2/2001 Lackey et al.  
 D445,988 S 7/2001 Gaines et al.  
 6,293,461 B1\* 9/2001 Rivers, Sr. .... A47G 29/121  
 232/35  
 D452,358 S 12/2001 Lackey et al.  
 D476,791 S 7/2003 South  
 D477,450 S 7/2003 South  
 D480,199 S 9/2003 Dineen  
 D482,178 S 11/2003 South  
 D482,179 S 11/2003 South  
 6,729,535 B2\* 5/2004 Lackey ..... A47G 29/1209  
 232/17  
 D499,225 S 11/2004 Taylor et al.  
 D503,844 S 4/2005 Taylor et al.  
 6,929,174 B1\* 8/2005 Ly ..... A47G 29/1209  
 232/17  
 D580,623 S 11/2008 Bowers  
 D617,975 S 6/2010 Koslak  
 D620,225 S 7/2010 Dinh

D727,590 S \* 4/2015 Rogerson ..... D99/32  
 9,060,632 B2\* 6/2015 Berglund ..... G09F 1/00  
 D736,490 S \* 8/2015 Kelly ..... D99/29  
 D739,114 S \* 9/2015 Buttecali ..... D99/32  
 D739,115 S \* 9/2015 Kelly ..... D99/32  
 D739,640 S \* 9/2015 Buttecali ..... D99/32  
 2008/0035720 A1\* 2/2008 Bolles ..... A47G 29/1209  
 232/19

OTHER PUBLICATIONS

Fulton Corp., Mid-Century Modern Mailbox / Fulton Corp.  
 Crolatog, 1970.  
 Postal Bulletin 22310, Organization Information, May 5, 2011.  
 Postal Bulletin 22049, "All Offices wish City Motorized, Rural, and  
 Highway Contract Box Delivery Routes, Mailbox Improvement  
 Week, May 21-26", May 3, 2001, p. 5.  
 Wards Catalog, Suburban and Rural Mailboxes, 1974.  
 Sears, Roebuck and Company, Sear's Handsome 1960 Mailbox.  
 Oglevie, Scott, Vintage Moderntown, [www.flickr.com/photos/vintagemoderntown/with/5187030565/](http://www.flickr.com/photos/vintagemoderntown/with/5187030565/), (photo posted Nov. 18, 2010).

\* cited by examiner

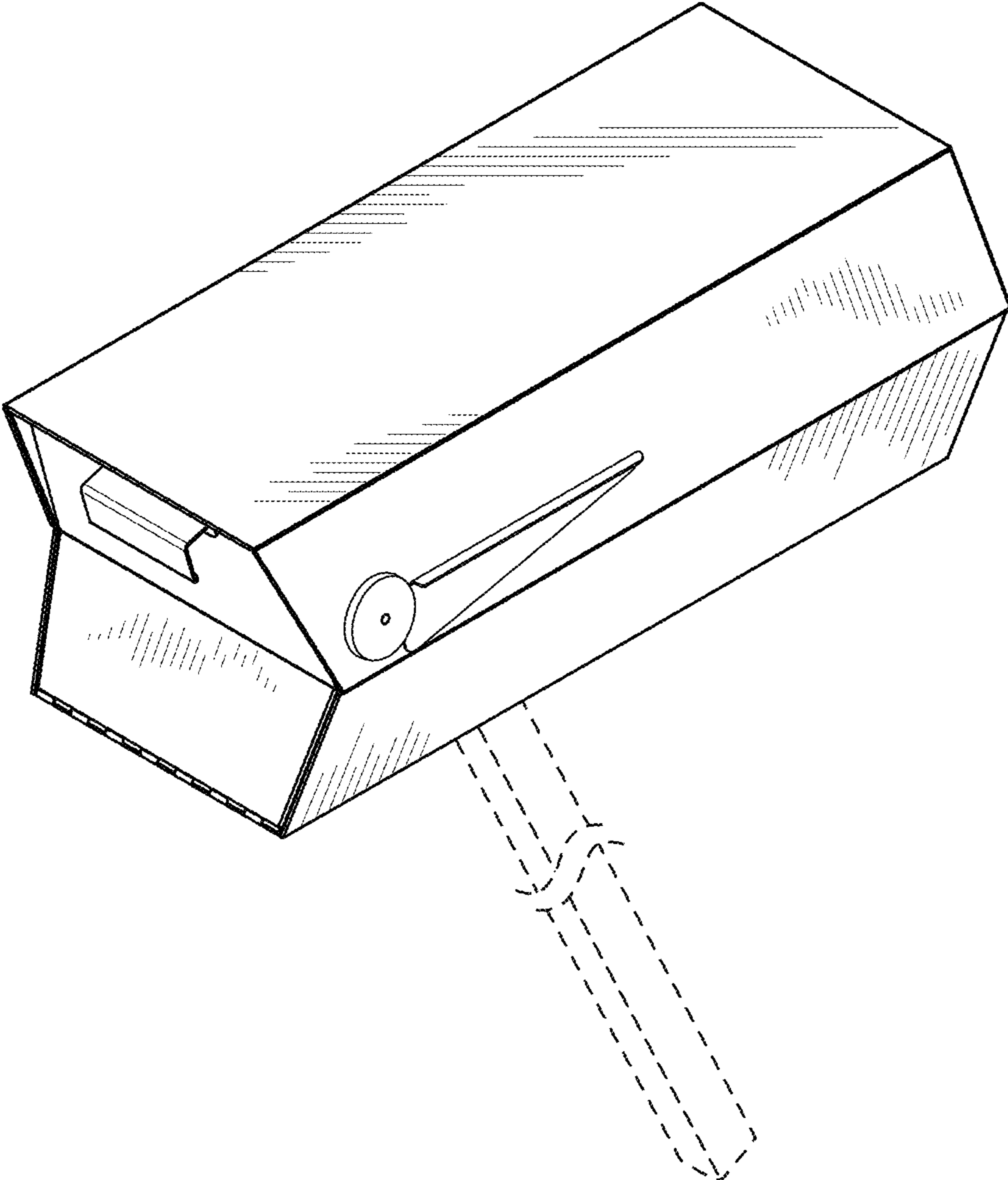


FIG. 1

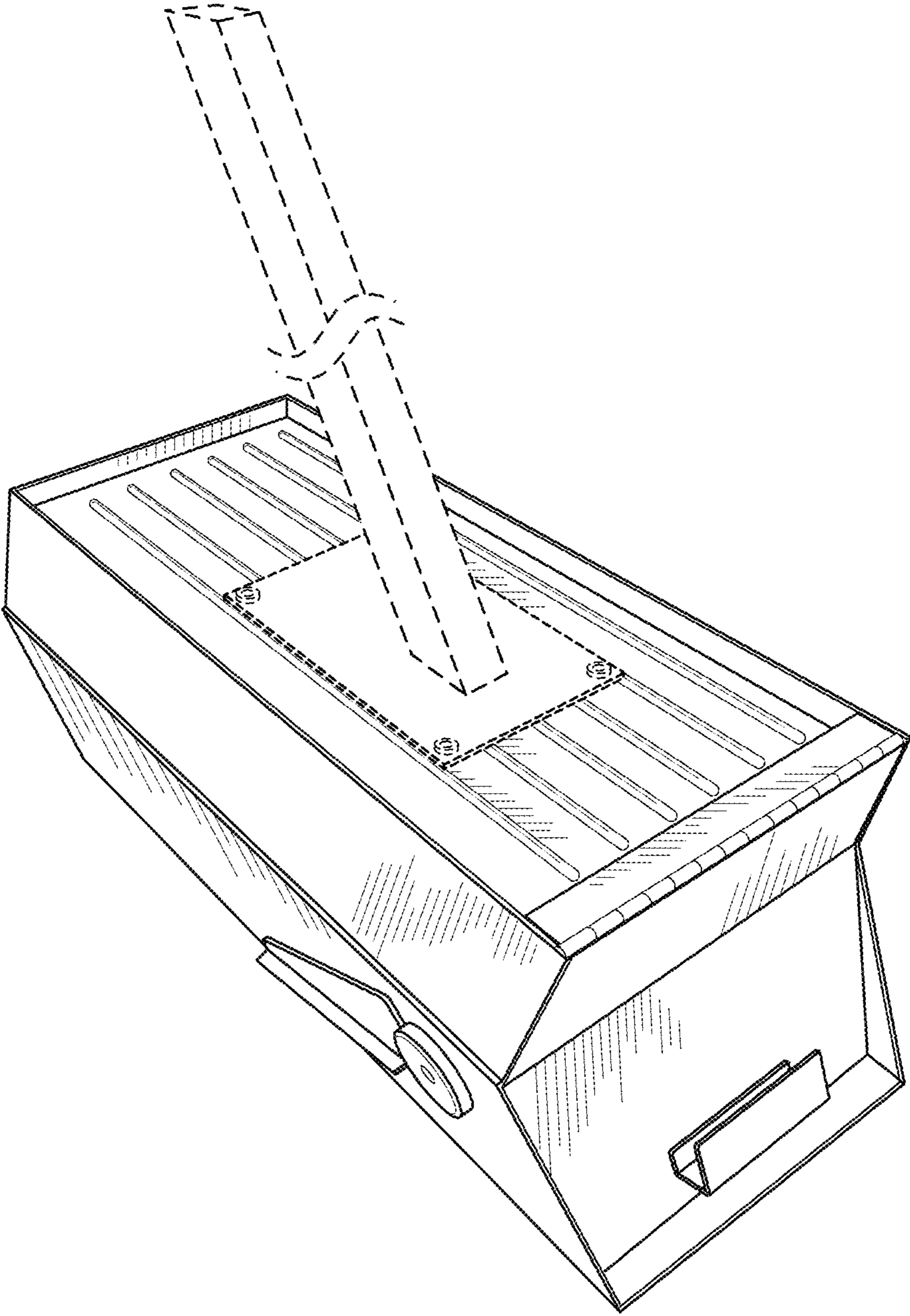
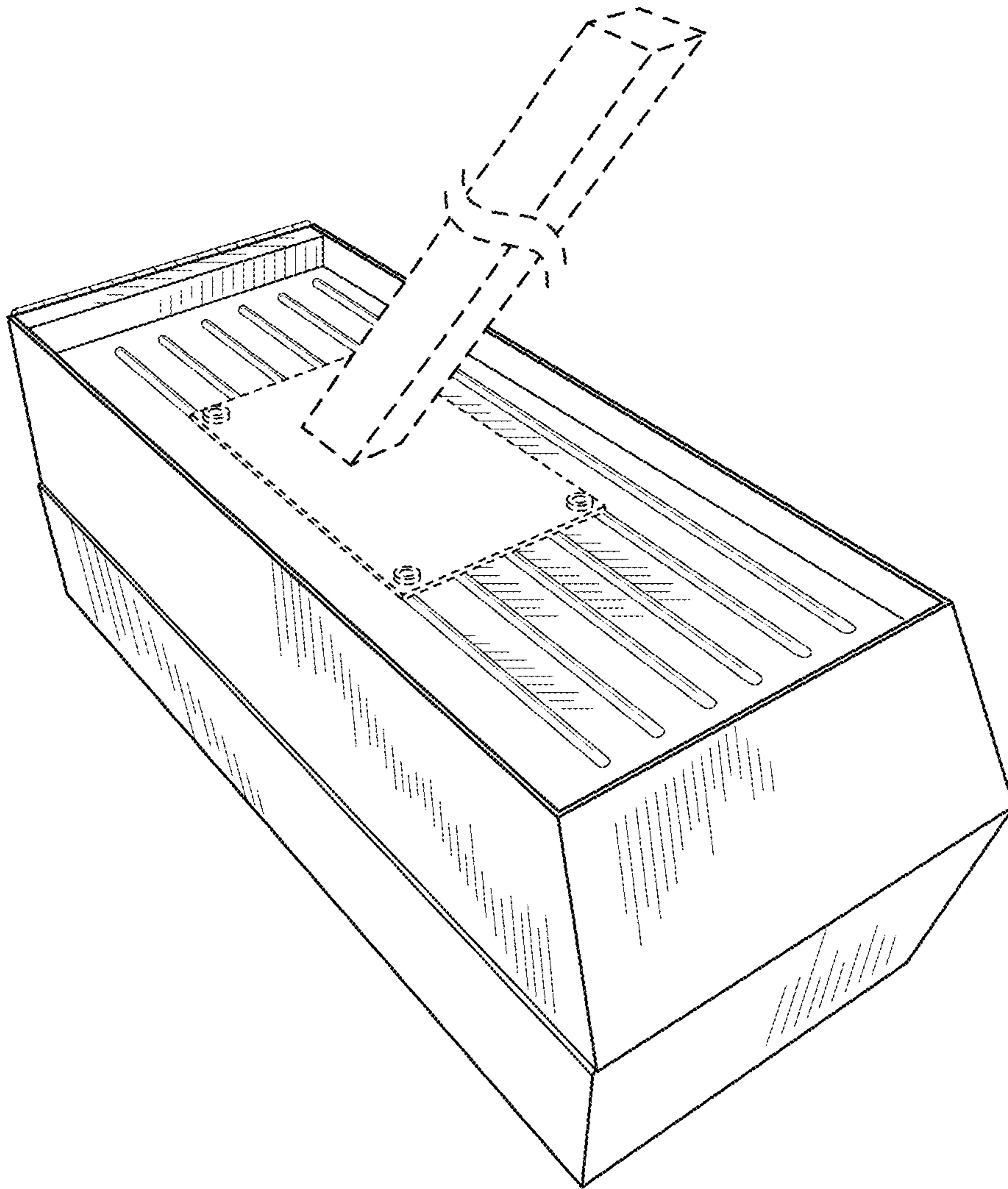


FIG. 2



**FIG. 3**

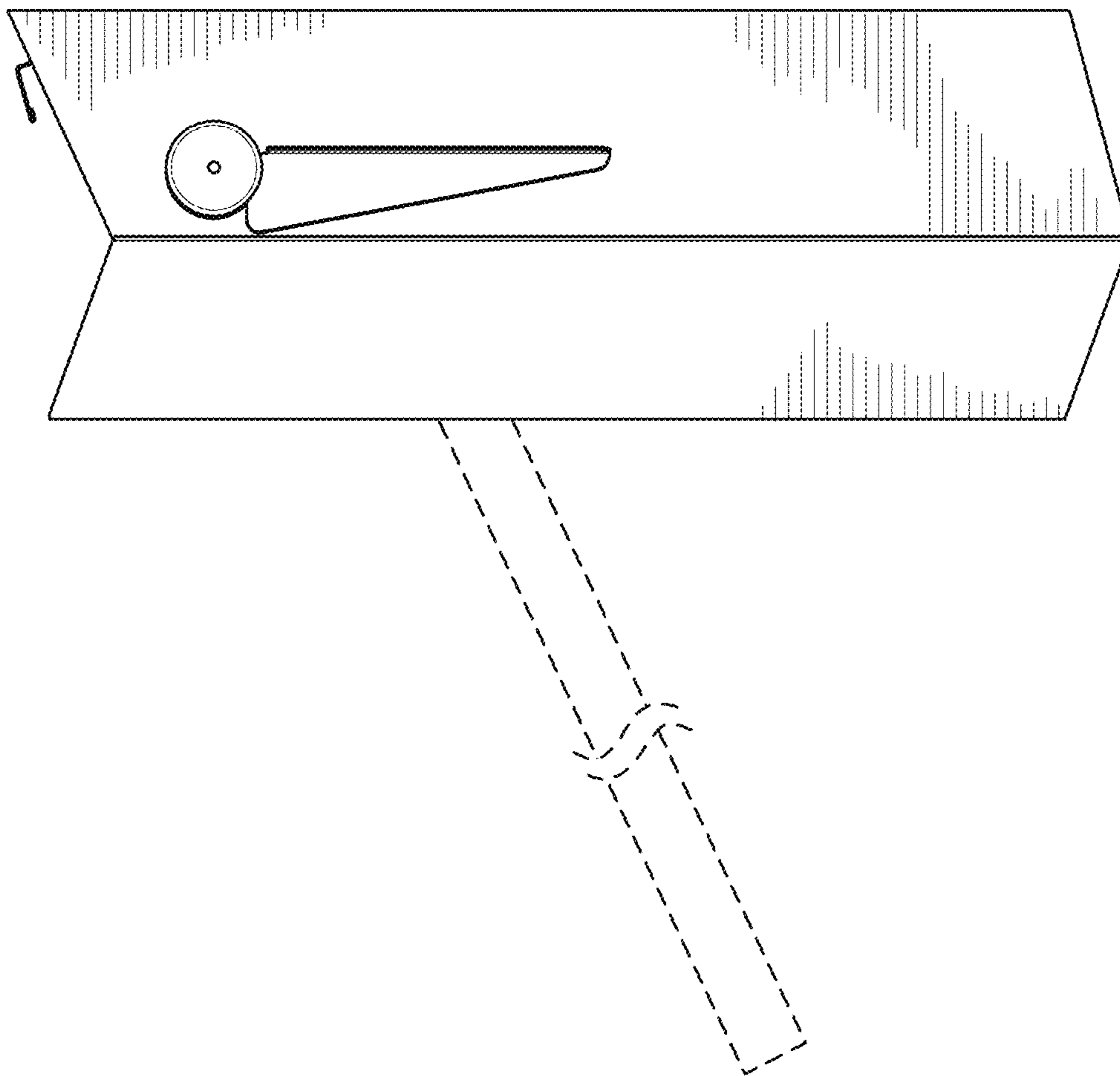


FIG. 4

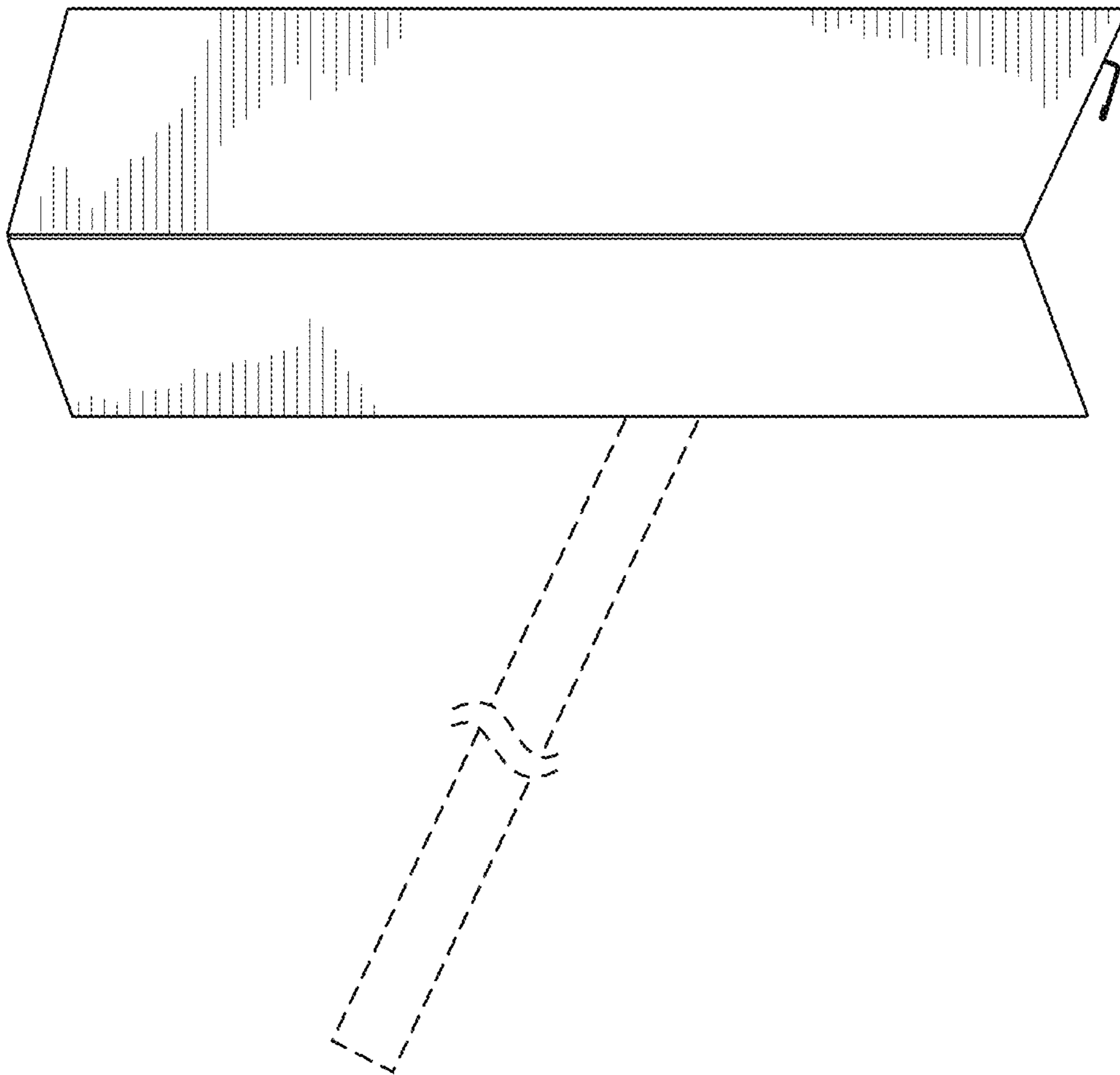
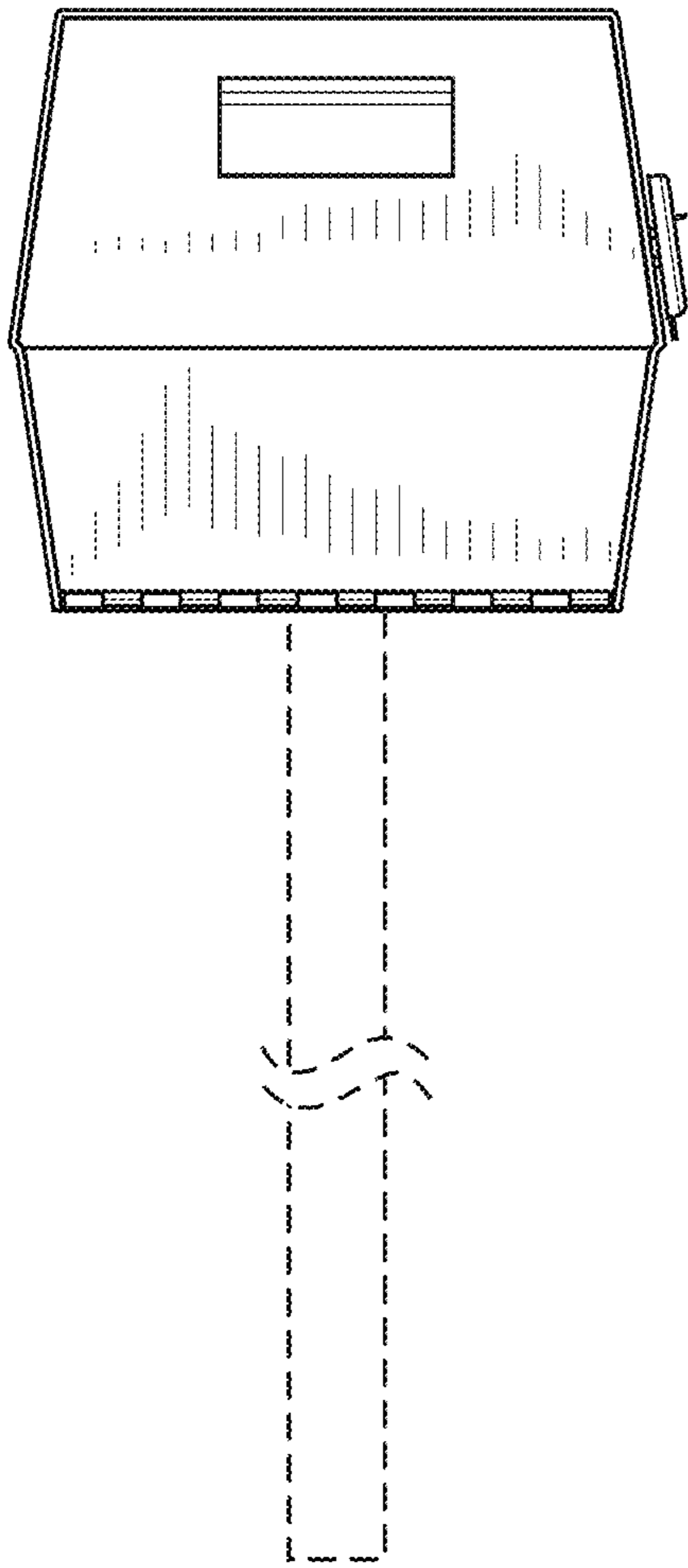
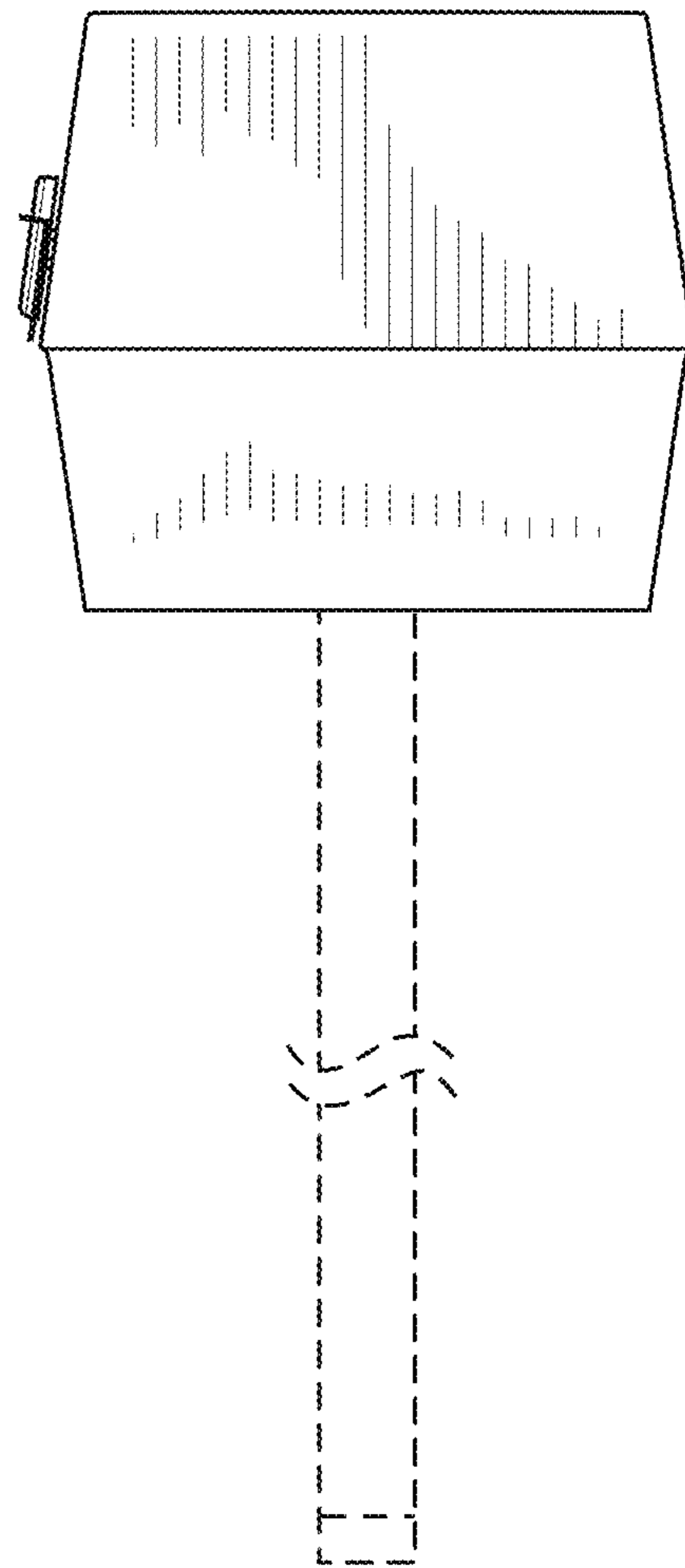


FIG. 5



**FIG. 6**



**FIG. 7**



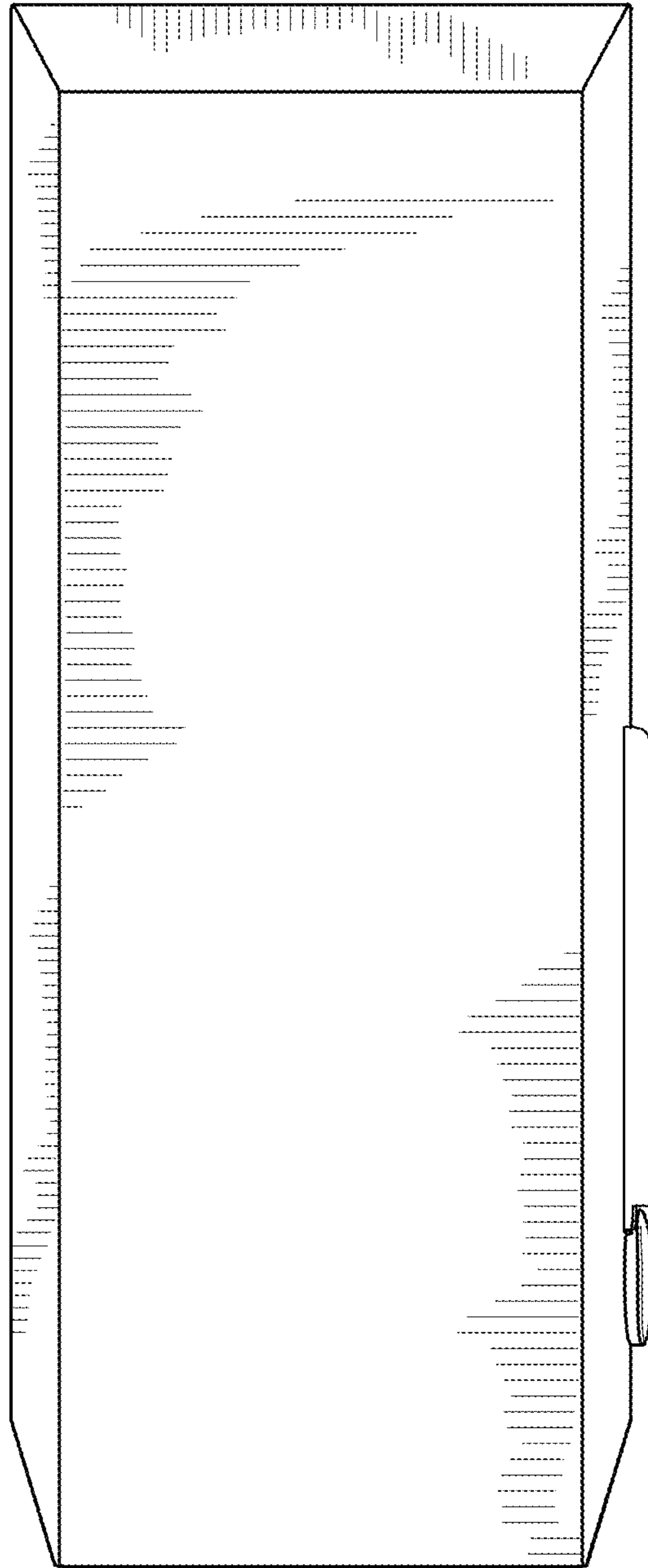


FIG. 8

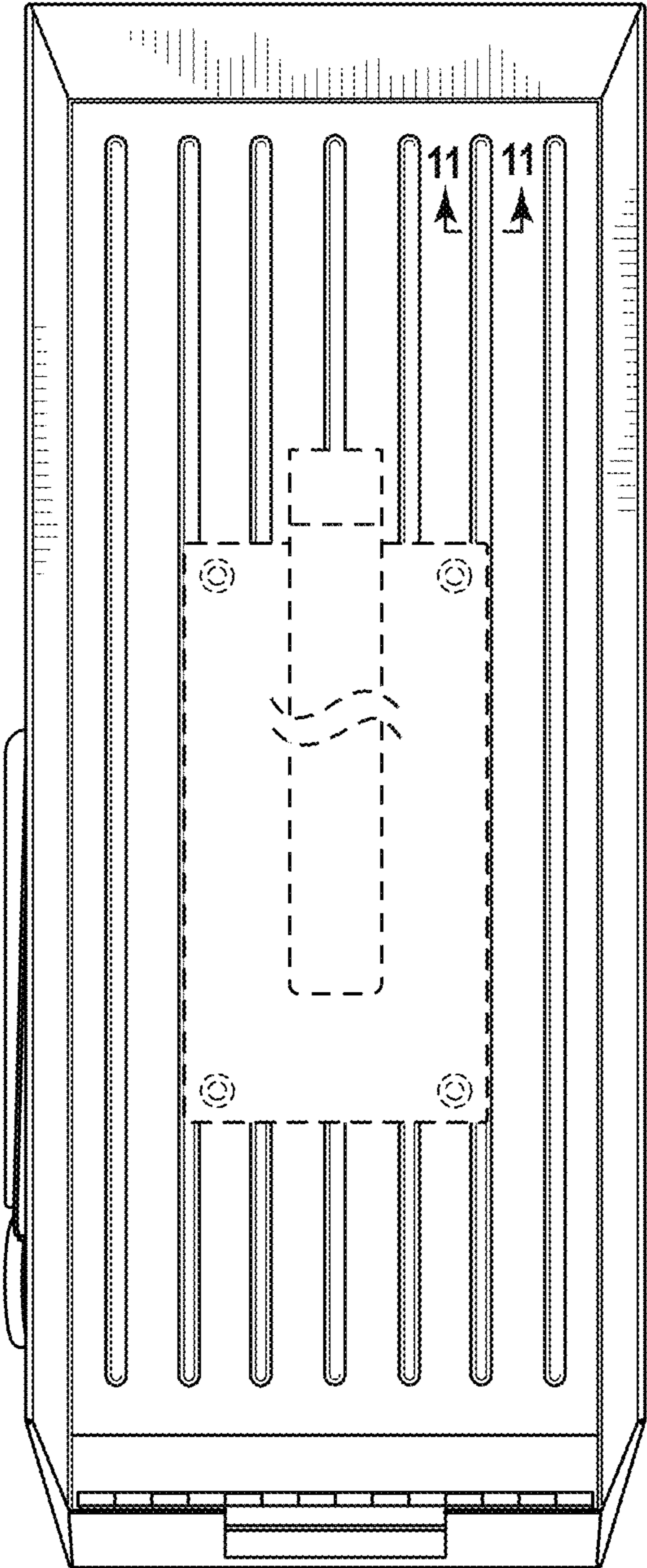


FIG. 9

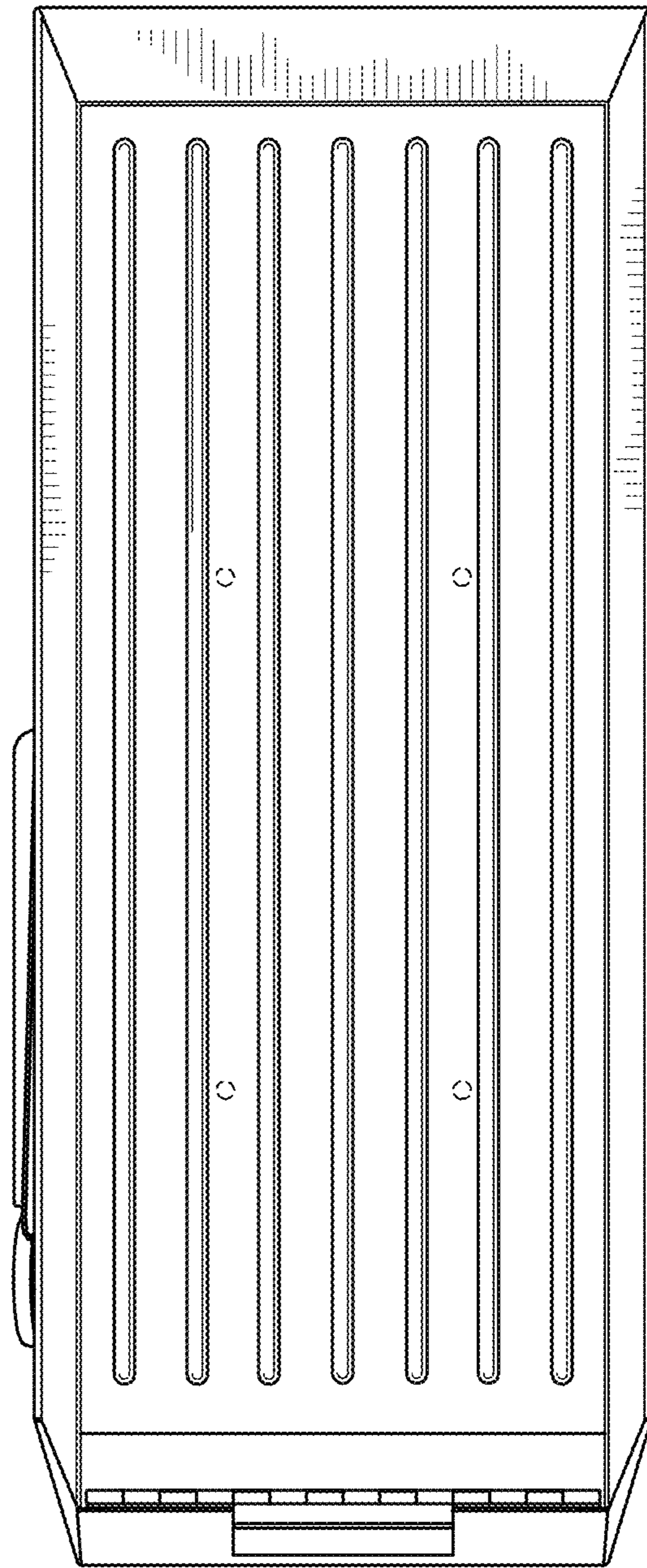
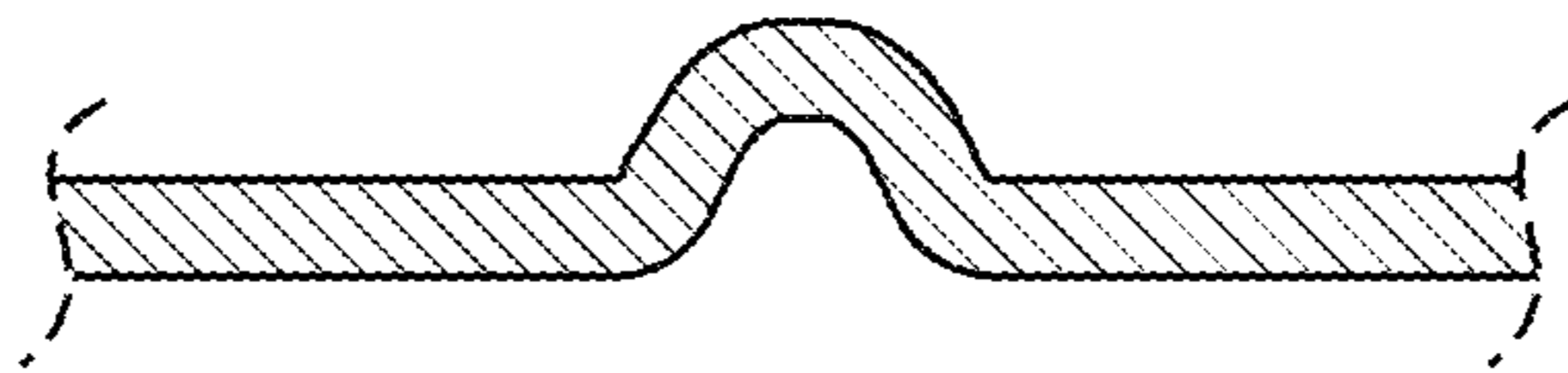


FIG. 10



**FIG. 11**