



US00D771346S

(12) **United States Design Patent** (10) **Patent No.:** **US D771,346 S**
Repp et al. (45) **Date of Patent:** **** Nov. 8, 2016**

(54) **HOIST APPARATUS**

(71) Applicant: **Breeze-Eastern Corporation,**
Whippany, NJ (US)

(72) Inventors: **Brad Repp,** Fredericksburg, VA (US);
Brad Pedersen, Mountain Lakes, NJ
(US); **Ezra Johnson,** Fredricksburg, VA
(US); **Chad Cariano,** Richmond, VA
(US); **Chad Dize,** Arlington, VA (US)

(73) Assignee: **Breeze-Eastern Corporation,**
Whippany, NJ (US)

(**) Term: **15 Years**

(21) Appl. No.: **29/535,060**

(22) Filed: **Aug. 3, 2015**

(51) **LOC (10) Cl.** **12-05**

(52) **U.S. Cl.**
USPC **D34/35**

(58) **Field of Classification Search**
USPC D34/33-35; 254/323, 391, 411, 266,
254/283, 307, 333, 334, 383, 901, 335,
254/362; 294/82.17, 82.3; 182/192, 241;
73/862.29, 862.44
CPC A62B 1/06; A62B 1/02; A62B 1/14;
B66D 1/60
See application file for complete search history.

(56) **References Cited**

U.S. PATENT DOCUMENTS

3,807,696 A * 4/1974 Brda A62B 1/14
182/192
4,566,659 A * 1/1986 Luckachina B64D 1/22
244/137.1

D343,824 S * 2/1994 Halwes D12/345
D477,901 S * 7/2003 Robinson D34/33
D524,508 S * 7/2006 Lichtenvort D34/33
2007/0176446 A1 * 8/2007 Eising B66C 1/34
294/82.17
2016/0009393 A1 * 1/2016 Repp B64D 1/22
701/34.4

* cited by examiner

Primary Examiner — Cynthia Ramirez

Assistant Examiner — Gino Colan

(74) *Attorney, Agent, or Firm* — Baker & Hostetler LLP

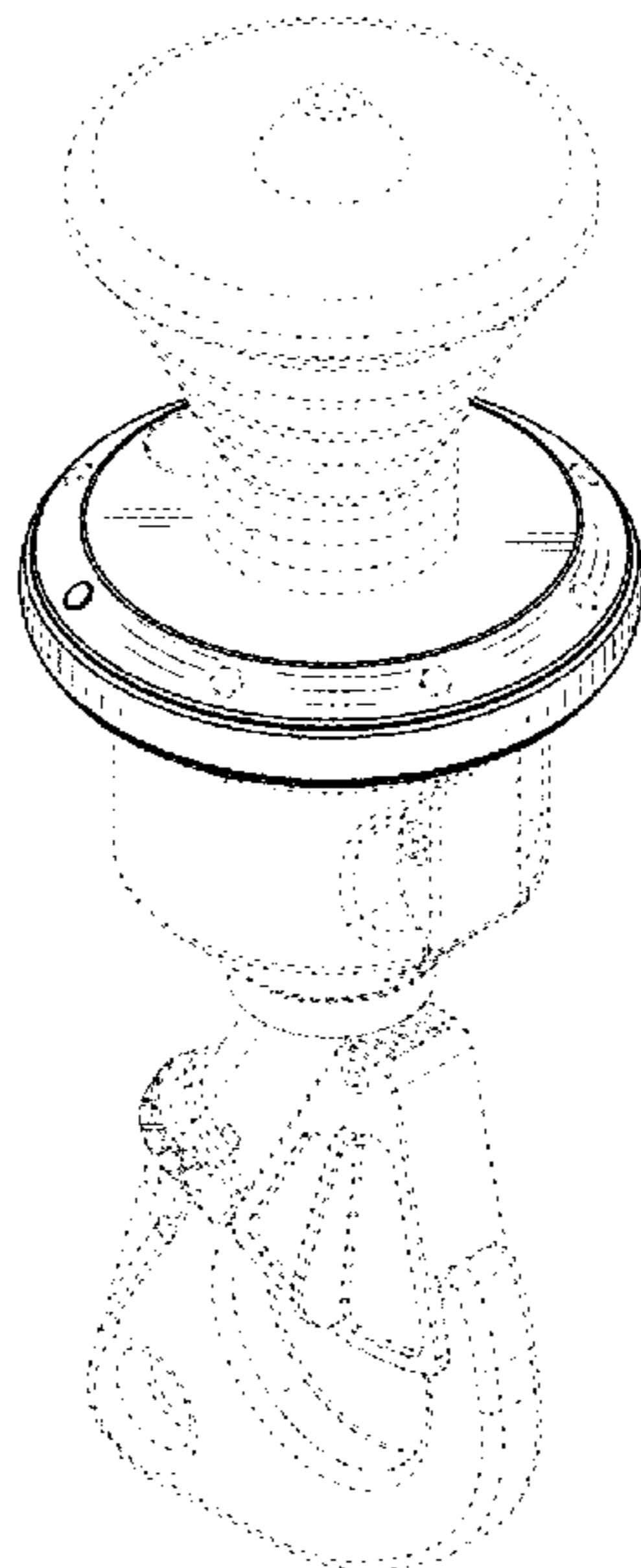
(57) **CLAIM**

The ornamental design for a hoist apparatus, as shown and described.

DESCRIPTION

FIG. 1 is a top perspective view of a hoist apparatus showing our new design;
FIG. 2 is a bottom perspective view thereof;
FIG. 3 is a right side view thereof;
FIG. 4 is a left side view thereof;
FIG. 5 is a front view thereof;
FIG. 6 is a rear view thereof;
FIG. 7 is a top view thereof; and,
FIG. 8 is a bottom view thereof.
The broken lines shown in the figures are included for the purpose of illustrating environment and form no part of the claimed design.

1 Claim, 4 Drawing Sheets



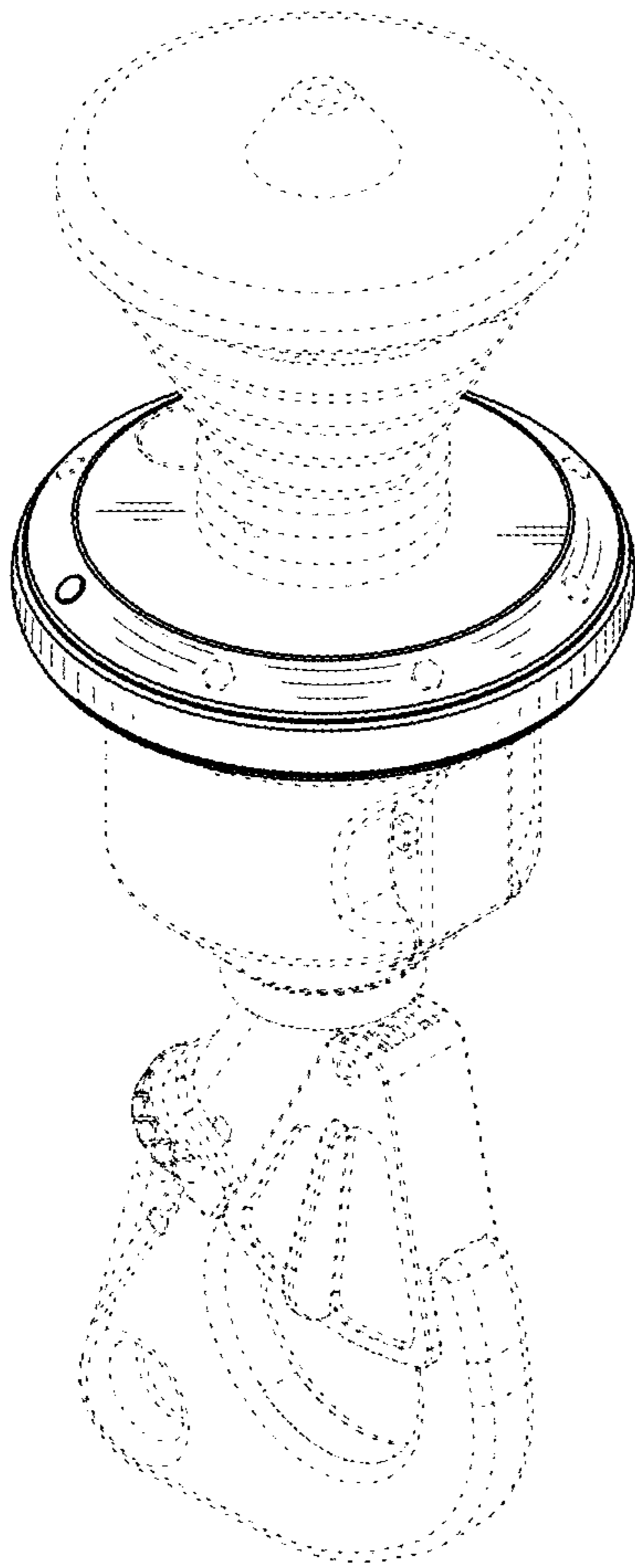


FIG. 1

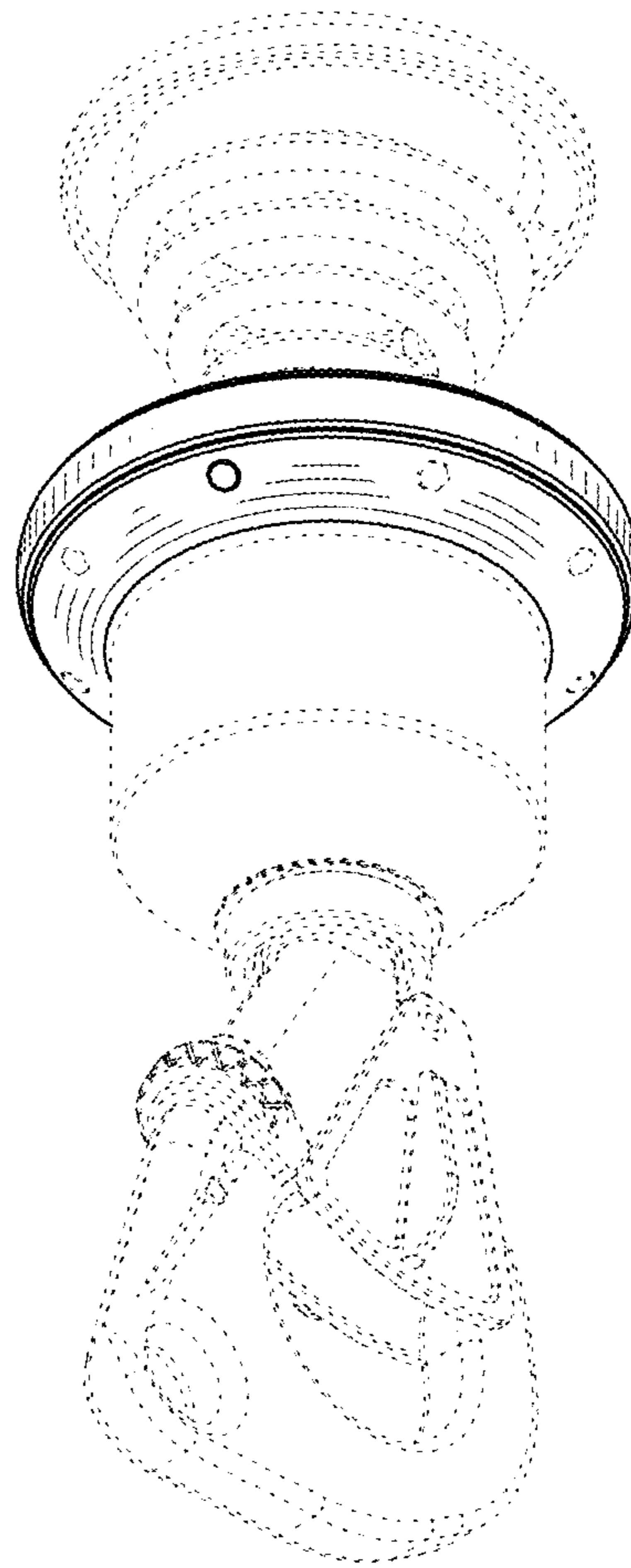


FIG. 2

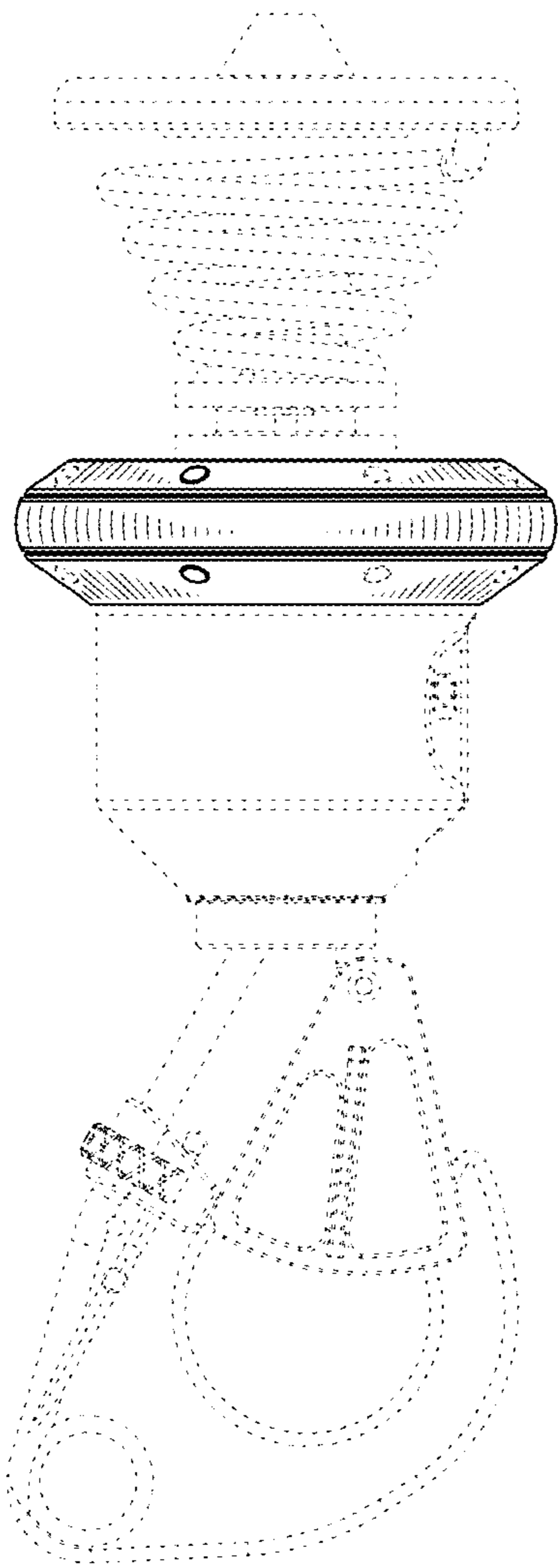


FIG. 3

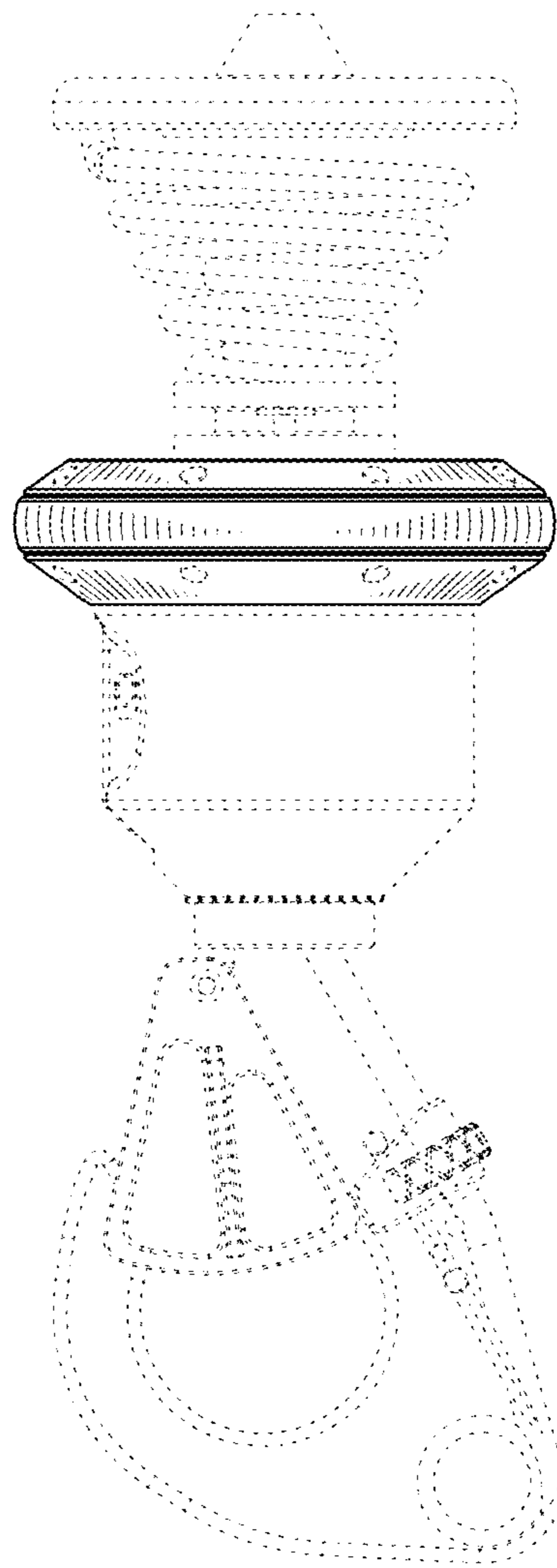


FIG. 4

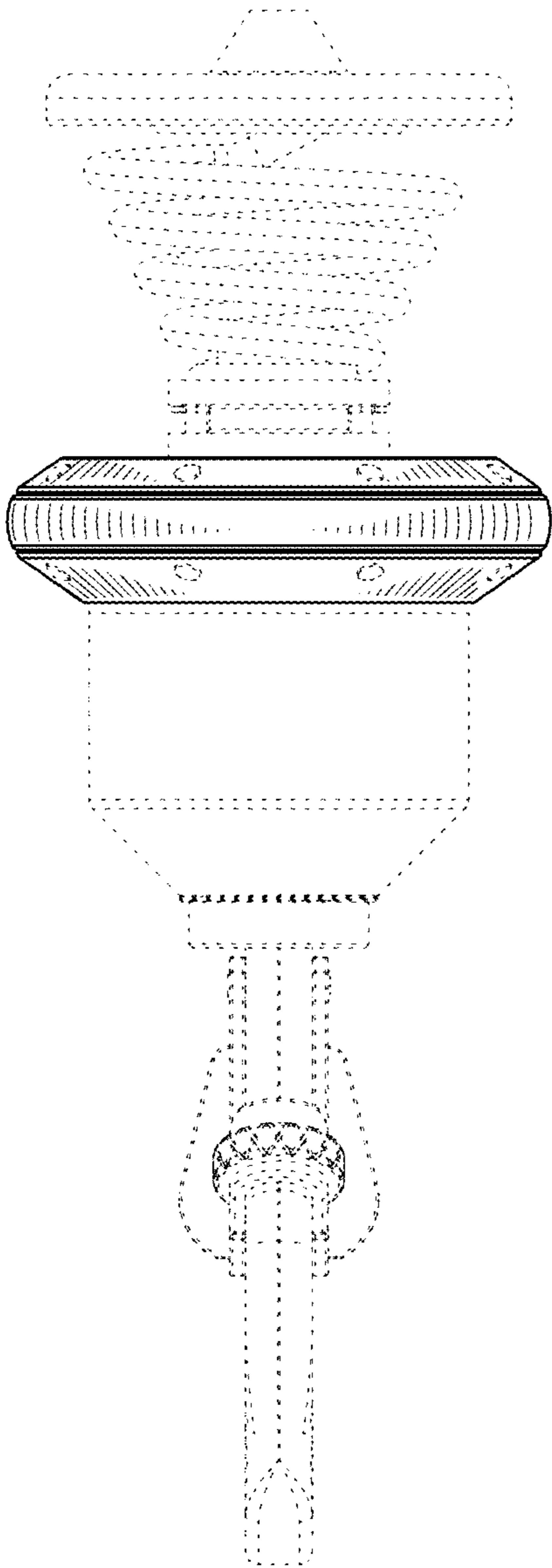


FIG. 5

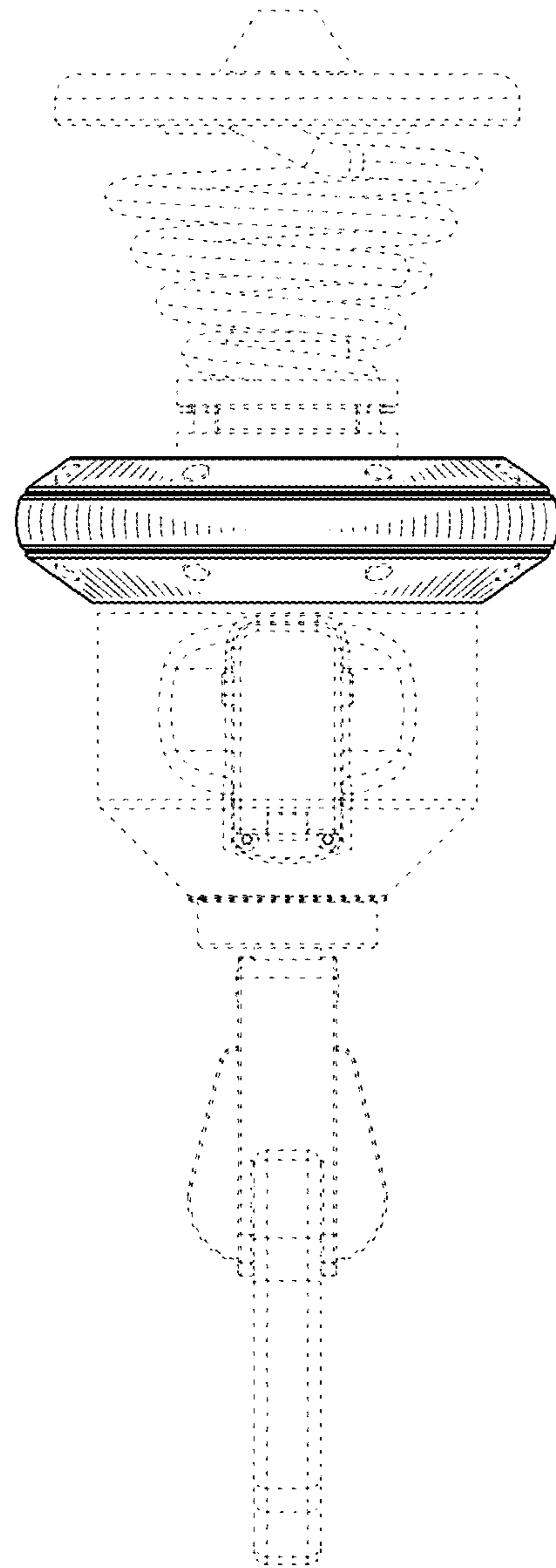


FIG. 6

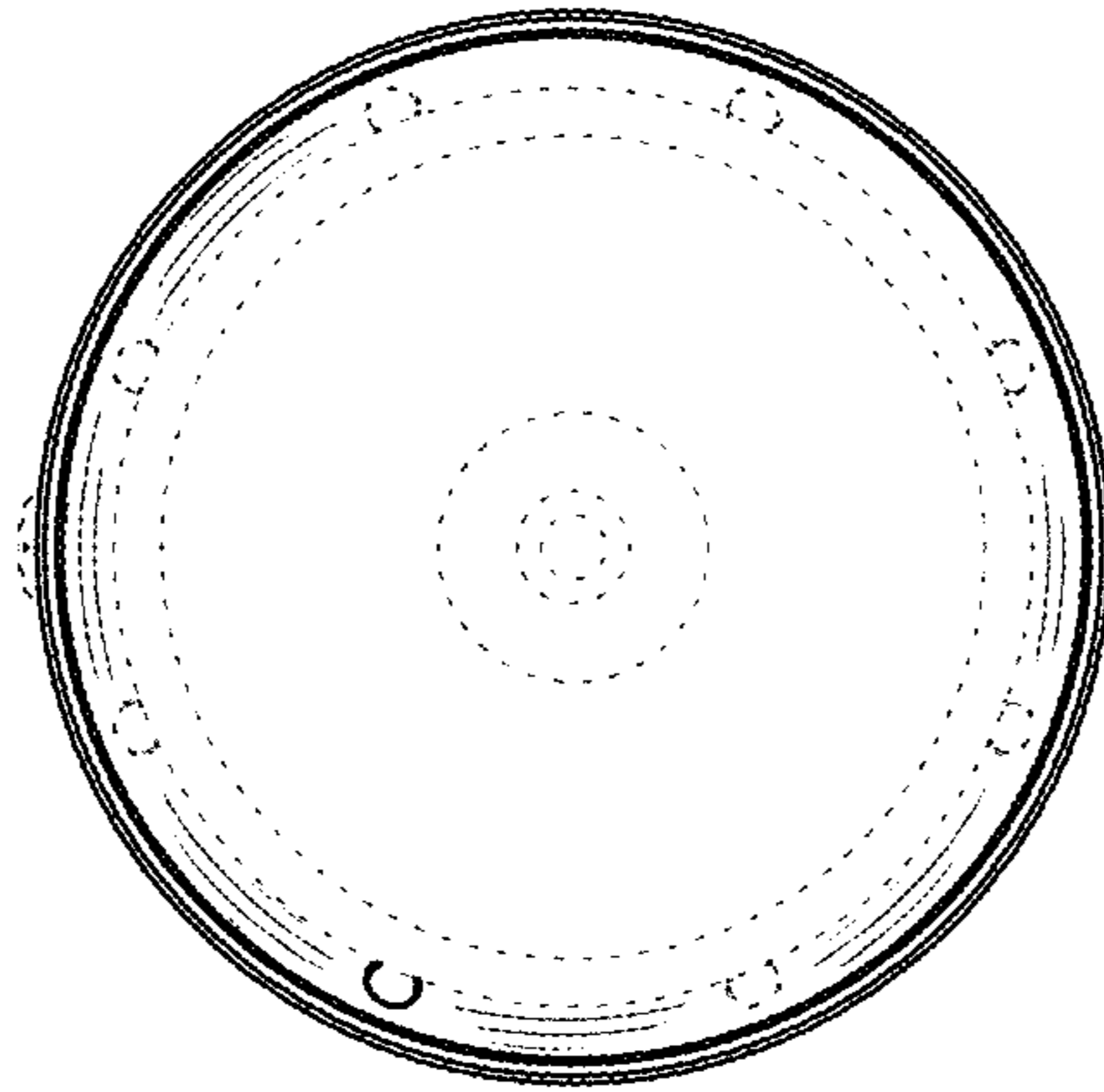


FIG. 7

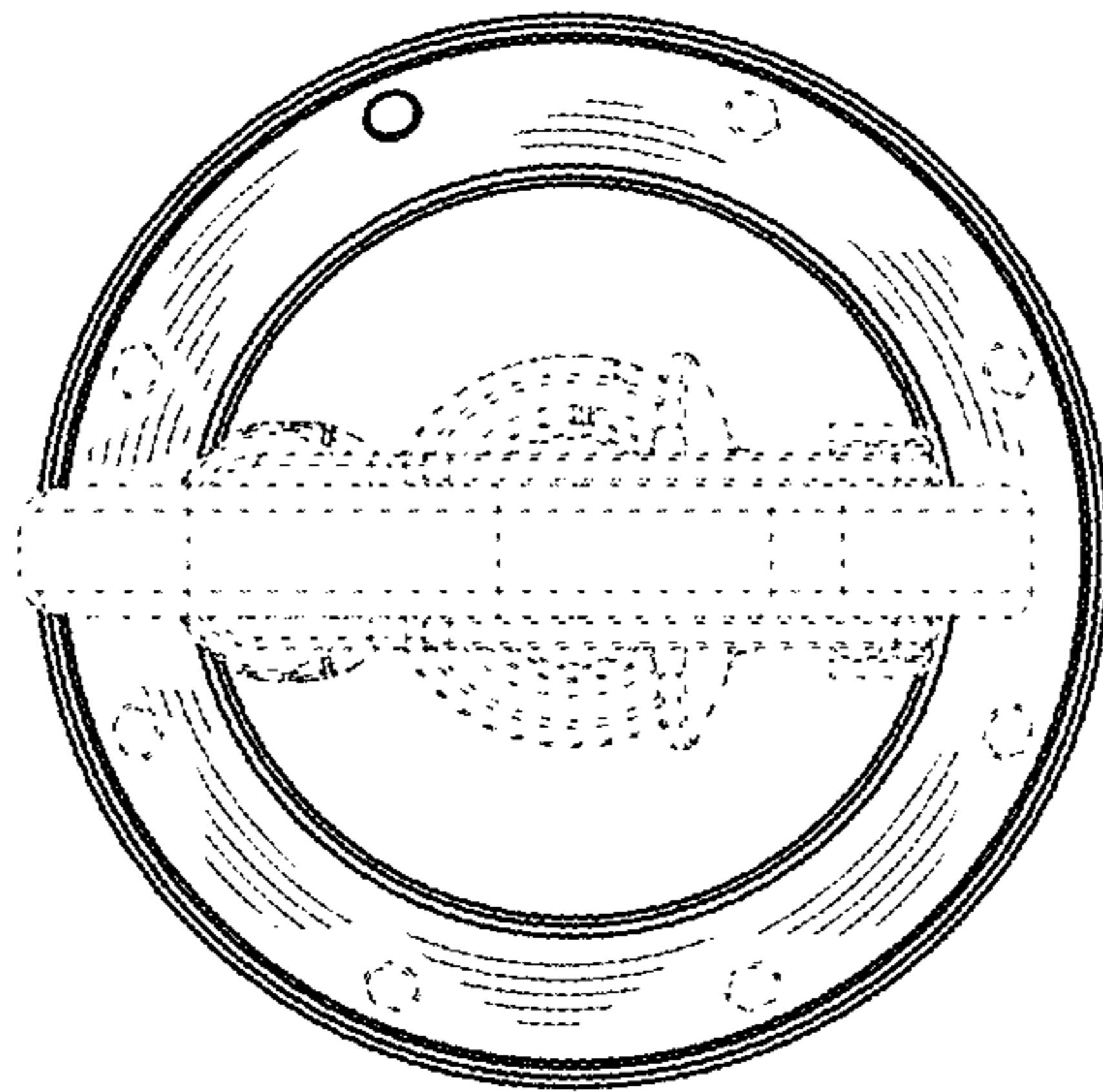


FIG. 8