



US00D771345S

(12) **United States Design Patent**
Wen et al.

(10) **Patent No.:** **US D771,345 S**

(45) **Date of Patent:** **** Nov. 8, 2016**

(54) **FORK LIFT**

(71) Applicant: **BYD COMPANY LIMITED**,
Shenzhen, Guangdong (CN)

(72) Inventors: **Shaohua Wen**, Shenzhen (CN); **Wei Su**, Shenzhen (CN); **Yongwei Chen**, Shenzhen (CN); **Biao Xie**, Shenzhen (CN); **Shouning Wang**, Shenzhen (CN)

(73) Assignee: **BYD Company Limited**, Shenzhen, Guangdong (CN)

(**) Term: **15 Years**

(21) Appl. No.: **29/556,117**

(22) Filed: **Feb. 26, 2016**

Related U.S. Application Data

(62) Division of application No. 29/495,908, filed on Jul. 7, 2014, now Pat. No. Des. 754,940.

(30) **Foreign Application Priority Data**

Jan. 7, 2014 (CN) 2014 3 0003556

(51) **LOC (10) Cl.** **12-05**

(52) **U.S. Cl.**
USPC **D34/34**

(58) **Field of Classification Search**
USPC D34/34; 187/222, 237, 238; 414/631, 414/592
CPC B66F 9/06; B66F 9/24; B66F 9/12; B66F 9/0755; B66F 9/07572; B66F 17/003
See application file for complete search history.

(56) **References Cited**

U.S. PATENT DOCUMENTS

D393,134 S * 3/1998 Mariano D34/28
D395,115 S * 6/1998 Russey D34/34

D427,409 S * 6/2000 Sato D34/34
D468,885 S * 1/2003 Salin D34/34
D471,339 S * 3/2003 Mori D34/34
D538,004 S * 3/2007 Kouyama D34/34
D557,474 S * 12/2007 Kouyama D34/34
D612,563 S * 3/2010 Stark D34/34
D634,504 S * 3/2011 Radaelli D34/34
D657,932 S * 4/2012 Kazaoka D34/34
D663,502 S * 7/2012 Lin D34/34
D663,503 S * 7/2012 Lin D34/34
D694,984 S * 12/2013 Kawakami D34/34
D725,863 S * 3/2015 Kazaoka D34/34
D731,736 S * 6/2015 Kurihara D34/34
D731,737 S * 6/2015 Seimiya D34/34
D741,565 S * 10/2015 Schweig D34/34
D754,940 S * 4/2016 Wen D34/34
D756,056 S * 5/2016 Wen D34/34

* cited by examiner

Primary Examiner — Cynthia Ramirez
(74) *Attorney, Agent, or Firm* — Finnegan, Henderson, Farabow, Garrett & Dunner, LLP

(57) **CLAIM**

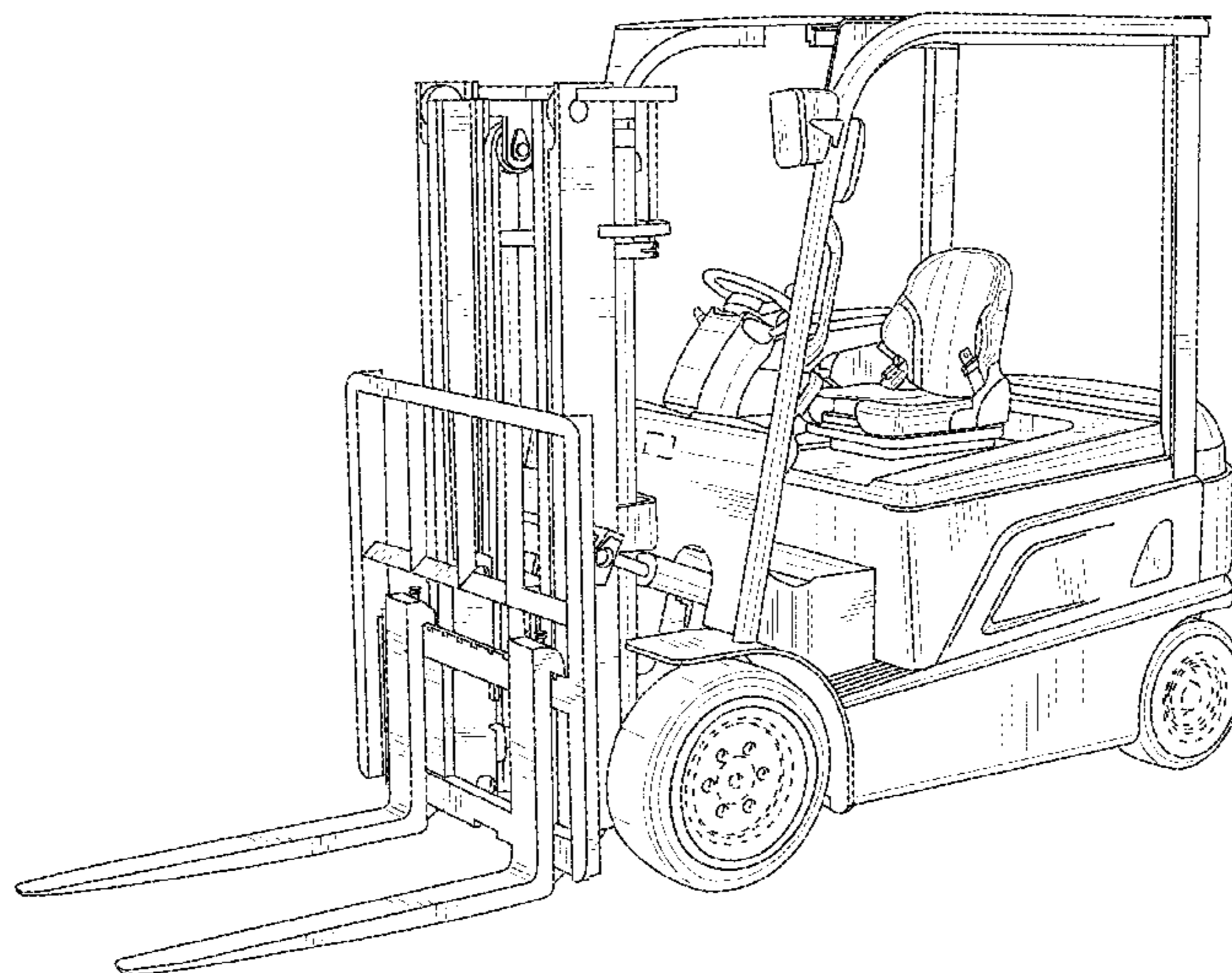
The ornamental design for a fork lift, as shown and described.

DESCRIPTION

FIG. 1 is a front left-side perspective view of a fork lift showing our new design;
FIG. 2 is a rear, right-side perspective view thereof;
FIG. 3 is a top, rear, and left-side perspective view thereof;
FIG. 4 is a front elevation view thereof;
FIG. 5 is a rear elevation view thereof;
FIG. 6 is a left-side elevation view thereof;
FIG. 7 is a right-side elevation view thereof; and,
FIG. 8 is top plan view thereof.

The bottom view of the fork lift is not visible during ordinary use and forms no part of the claimed design. The broken lines shown in the drawings illustrate portions of the fork lift that form no part of the claimed design.

1 Claim, 7 Drawing Sheets



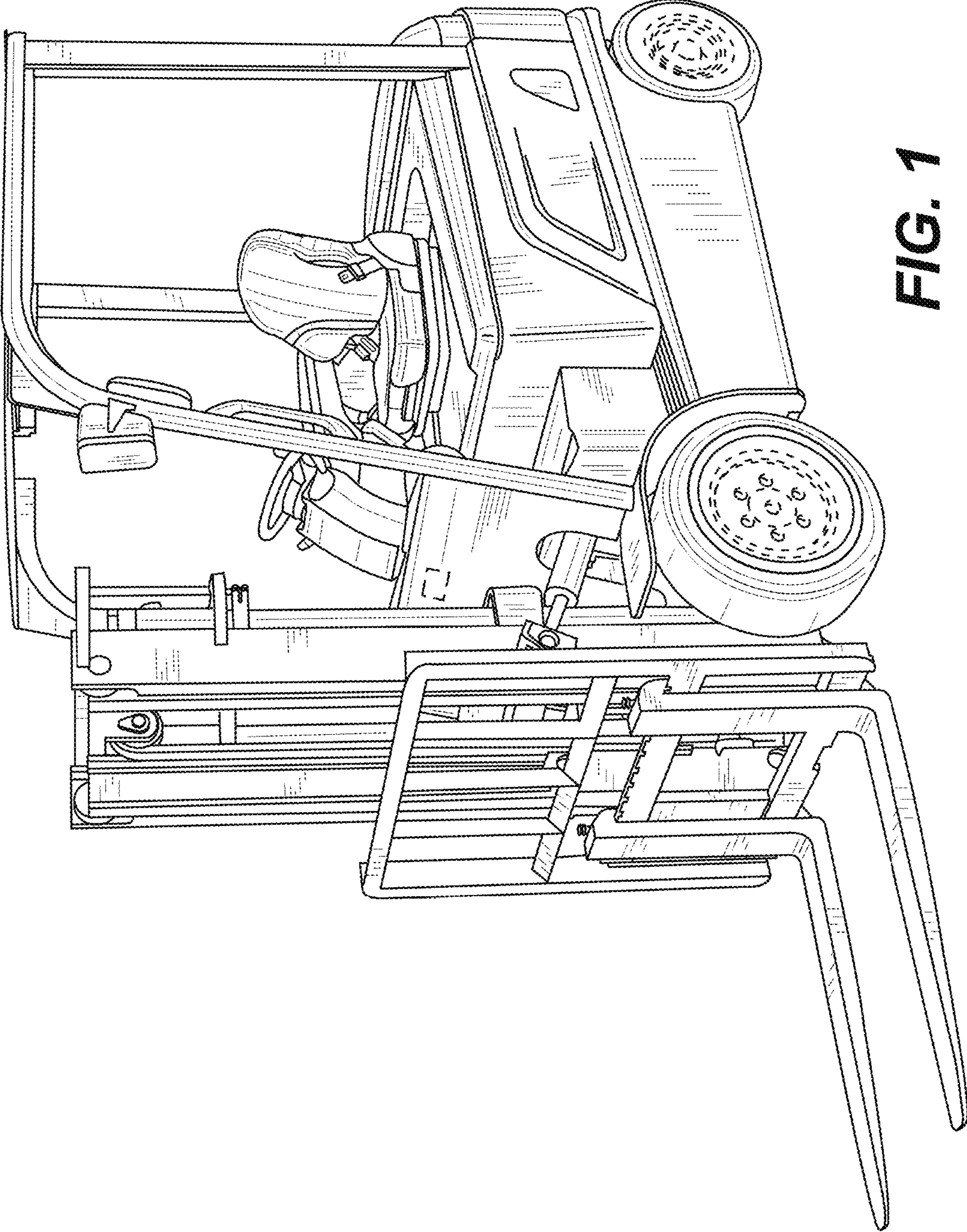


FIG. 1

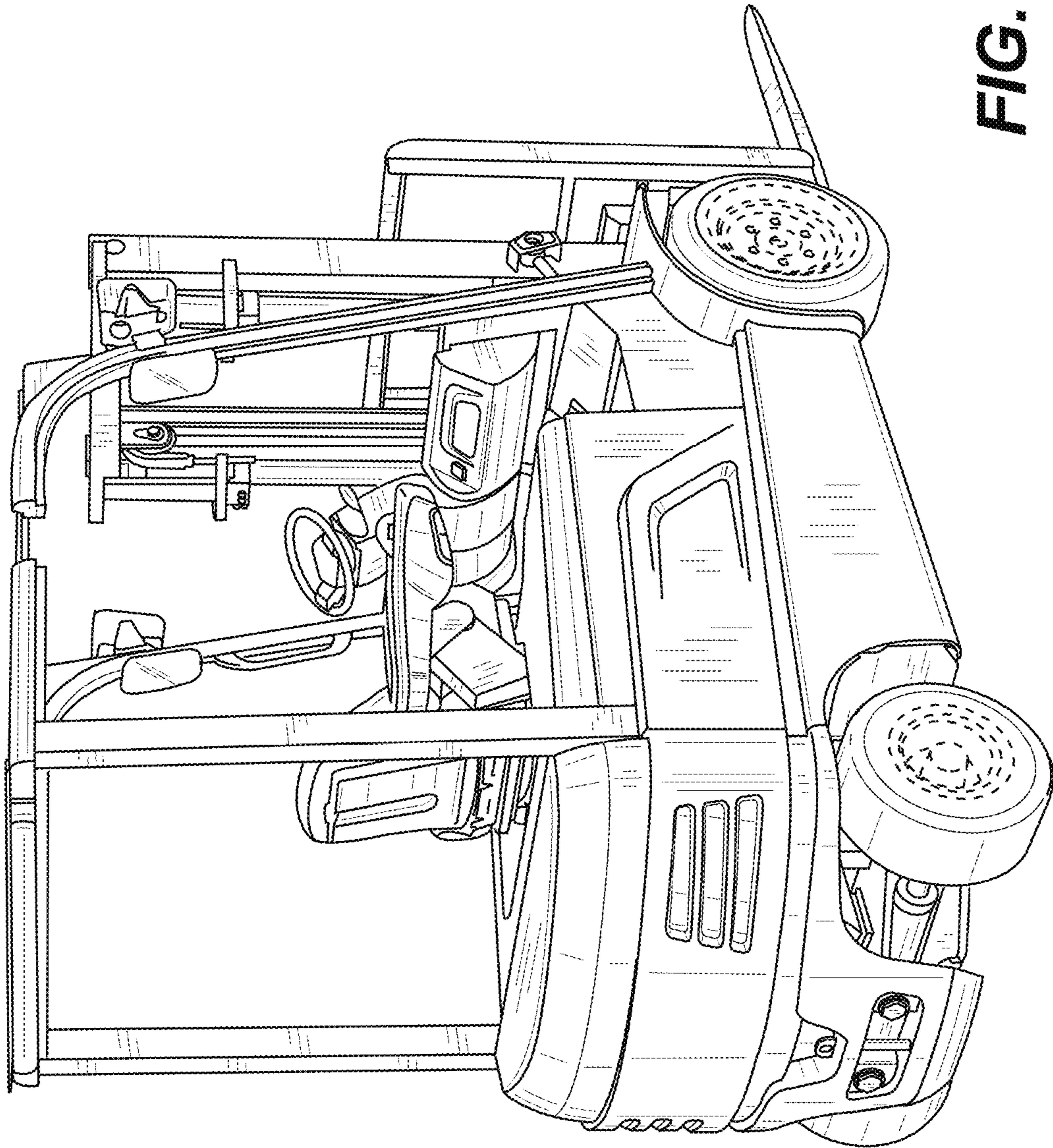


FIG. 2

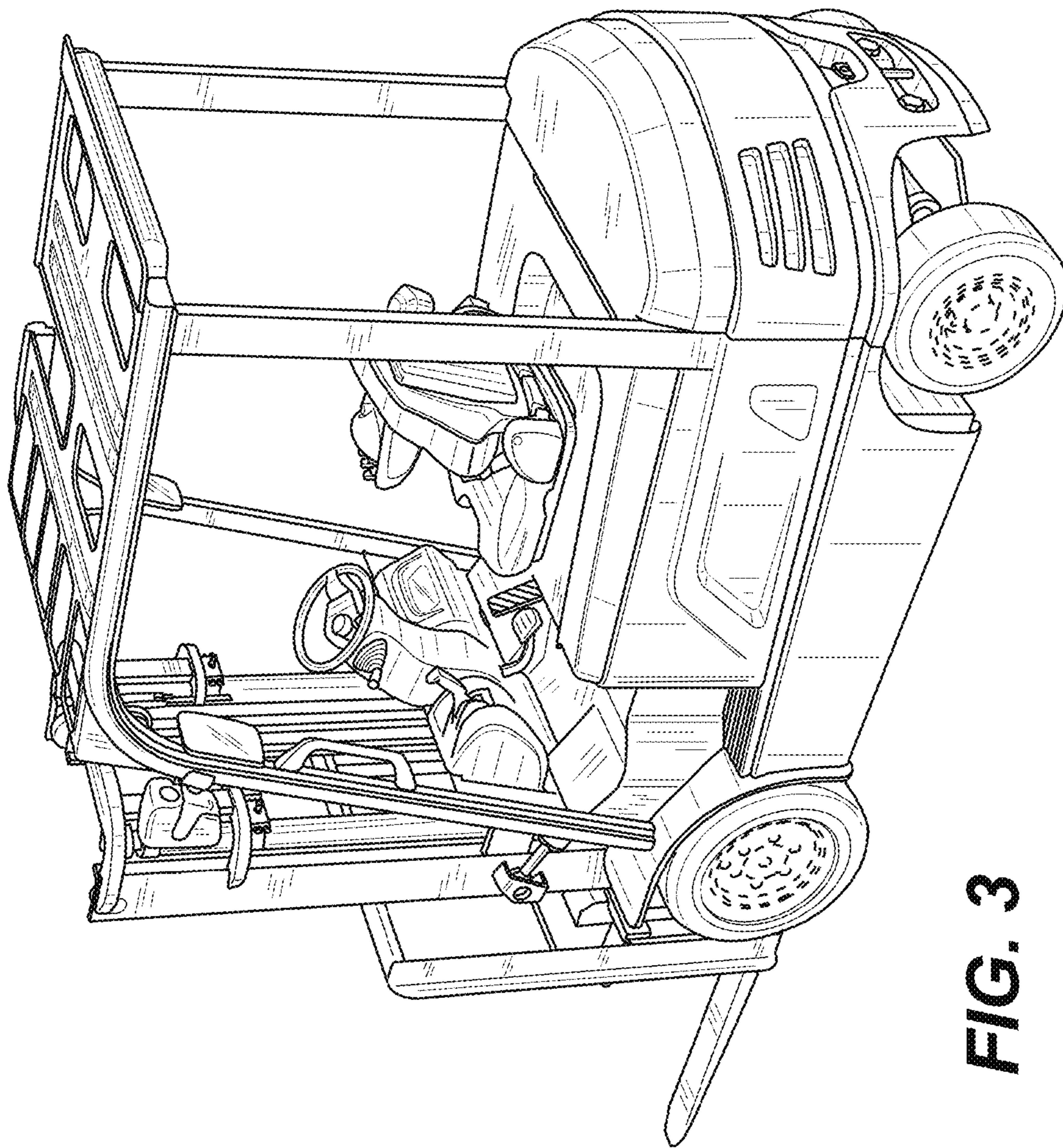


FIG. 3

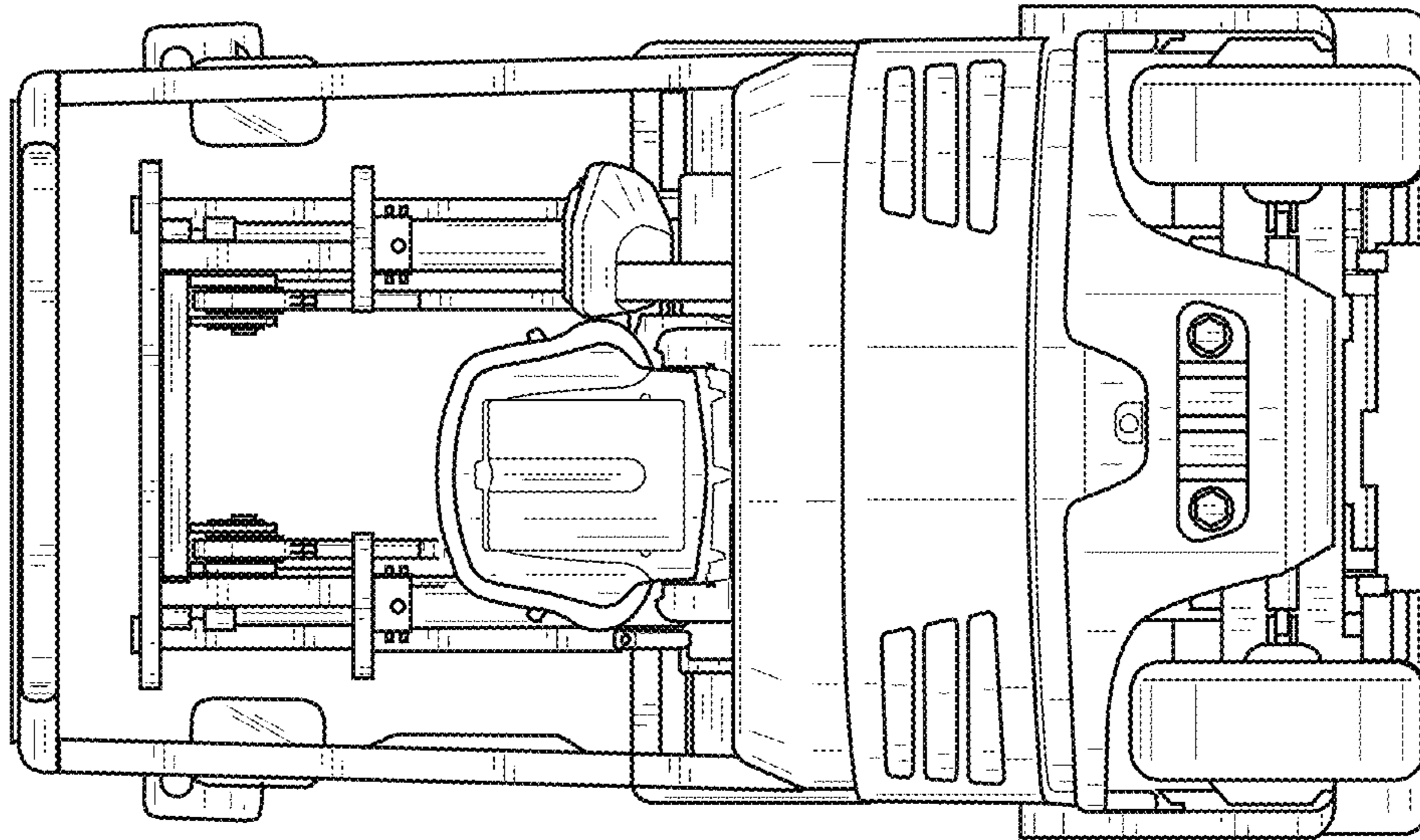


FIG. 5

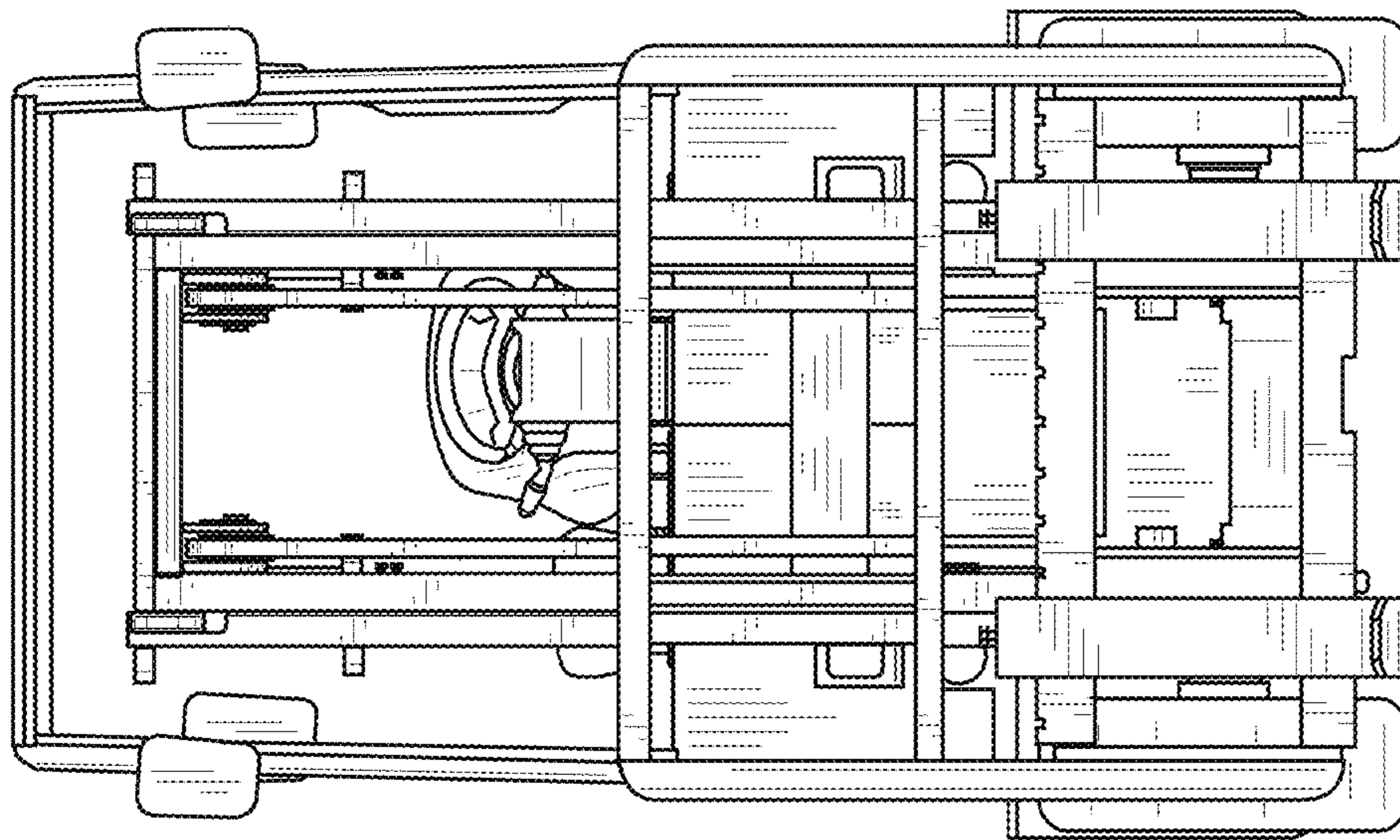


FIG. 4

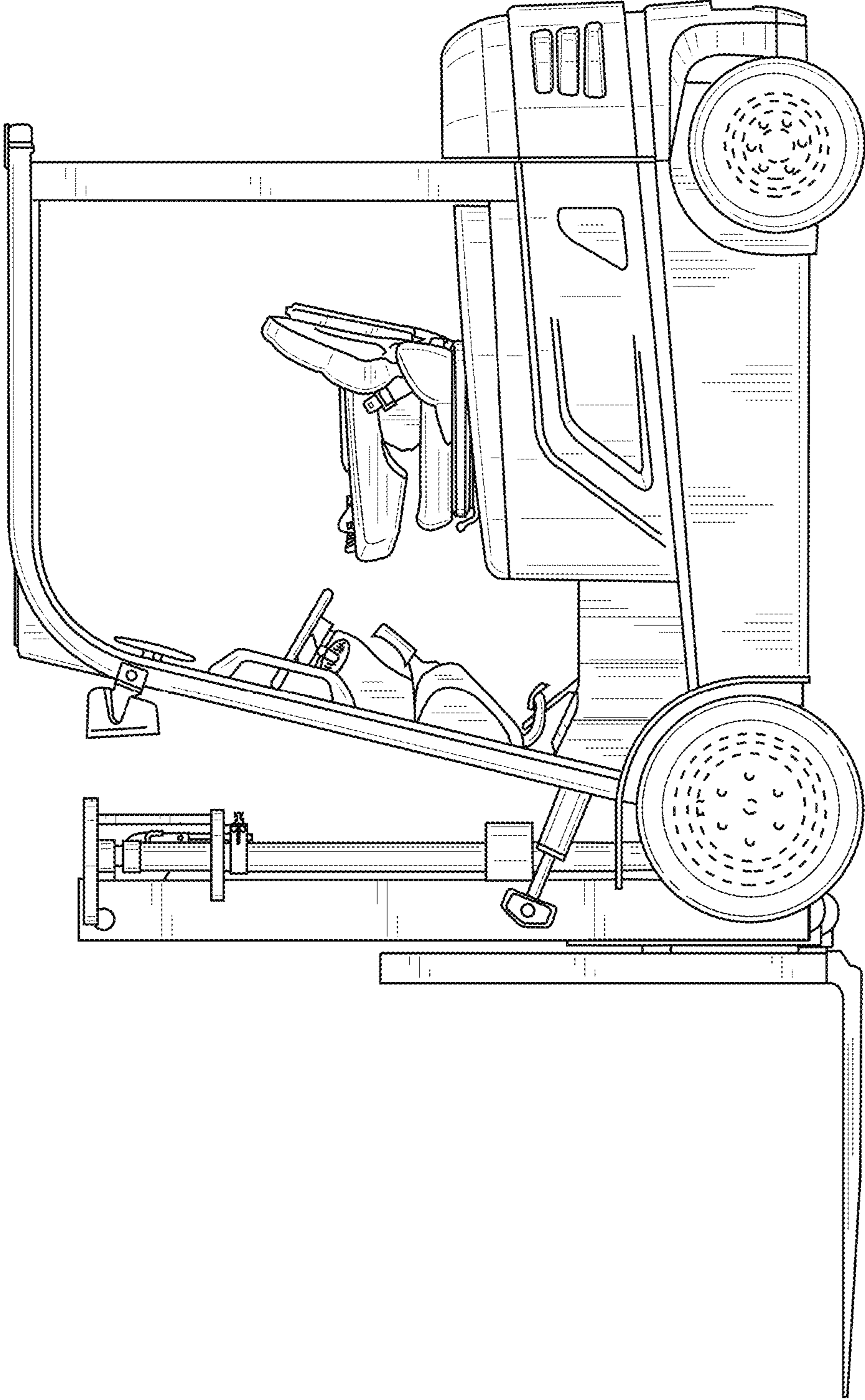


FIG. 6

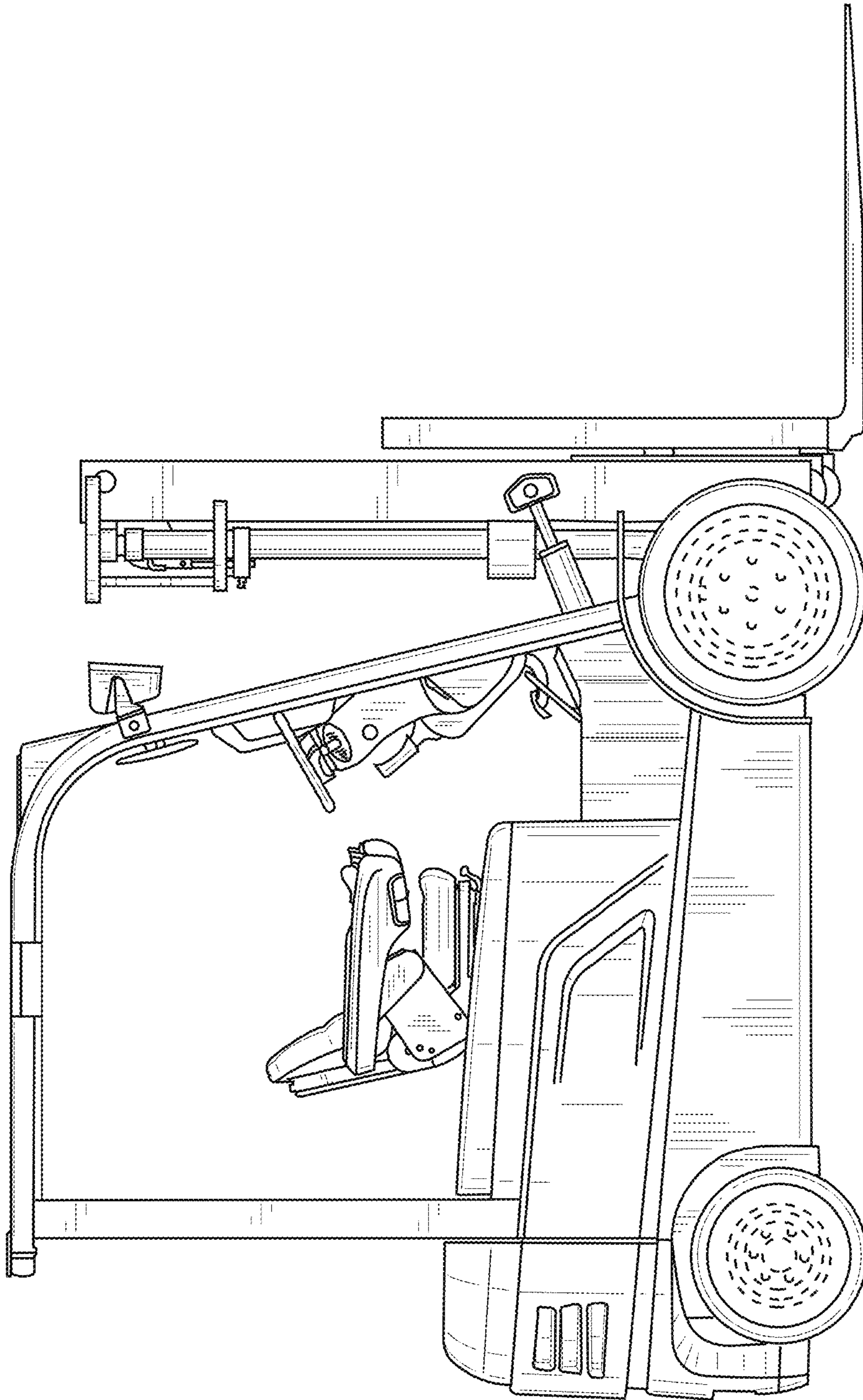


FIG. 7

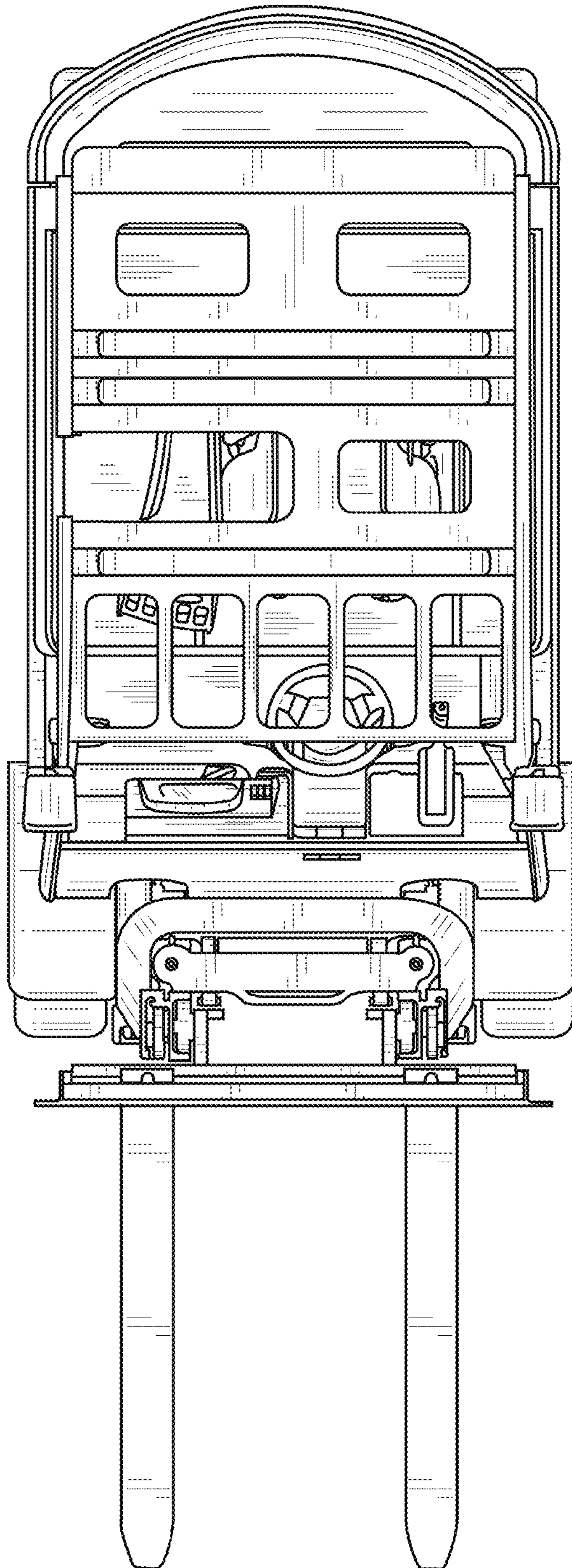


FIG. 8