



US00D771344S

(12) **United States Design Patent** (10) **Patent No.:** **US D771,344 S**
Yang et al. (45) **Date of Patent:** **** Nov. 8, 2016**

(54) **TRASH CAN**
(71) Applicant: **simplehuman, LLC**, Torrance, CA (US)
(72) Inventors: **Frank Yang**, Rancho Palos Verdes, CA (US); **Di-Fong Chang**, Torrance, CA (US); **Myk Lum**, Irvine, CA (US); **Adam Wade**, Rancho Santa Margarita, CA (US); **Ken Sugimoto**, Irvine, CA (US)

2,759,625 A 8/1956 Ritter
2,796,309 A 6/1957 Taylor
2,888,307 A 5/1959 Graves et al.
2,946,474 A 7/1960 Knapp
3,008,604 A 11/1961 Garner
3,023,922 A 3/1962 Arrington et al.

(Continued)

FOREIGN PATENT DOCUMENTS

AU 622536 4/1992
CA 2519295 3/2007

(Continued)

(73) Assignee: **simplehuman, LLC**, Torrance, CA (US)

OTHER PUBLICATIONS

U.S. Appl. No. 14/856,309, filed Sep. 26, 2015, Yang et al.

(Continued)

(**) Term: **14 Years**

(21) Appl. No.: **29/519,549**

(22) Filed: **Mar. 5, 2015**

(51) **LOC (10) Cl.** **09-09**

(52) **U.S. Cl.**
USPC **D34/9**

(58) **Field of Classification Search**
USPC D34/1-11; 220/908, 908.1, 262-265, 220/200

CPC B65F 1/163; B65F 1/062; B65F 1/1623; B65F 1/1646; B65B 43/38

See application file for complete search history.

Primary Examiner — Cynthia Ramirez

(74) *Attorney, Agent, or Firm* — Knobbe, Martens, Olson & Bear, LLP

(57) **CLAIM**

The ornamental design for a trash can, as shown and described.

DESCRIPTION

FIG. 1 is a top, front, left-side perspective view of a trash can of our design;

FIG. 2 is a top, rear, left-side perspective view thereof;

FIG. 3 is a front elevation view thereof;

FIG. 4 is a rear elevation view thereof;

FIG. 5 is a right-side elevation view thereof;

FIG. 6 is a left-side elevation view thereof;

FIG. 7 is a top plan view thereof; and,

FIG. 8 is a bottom plan view thereof.

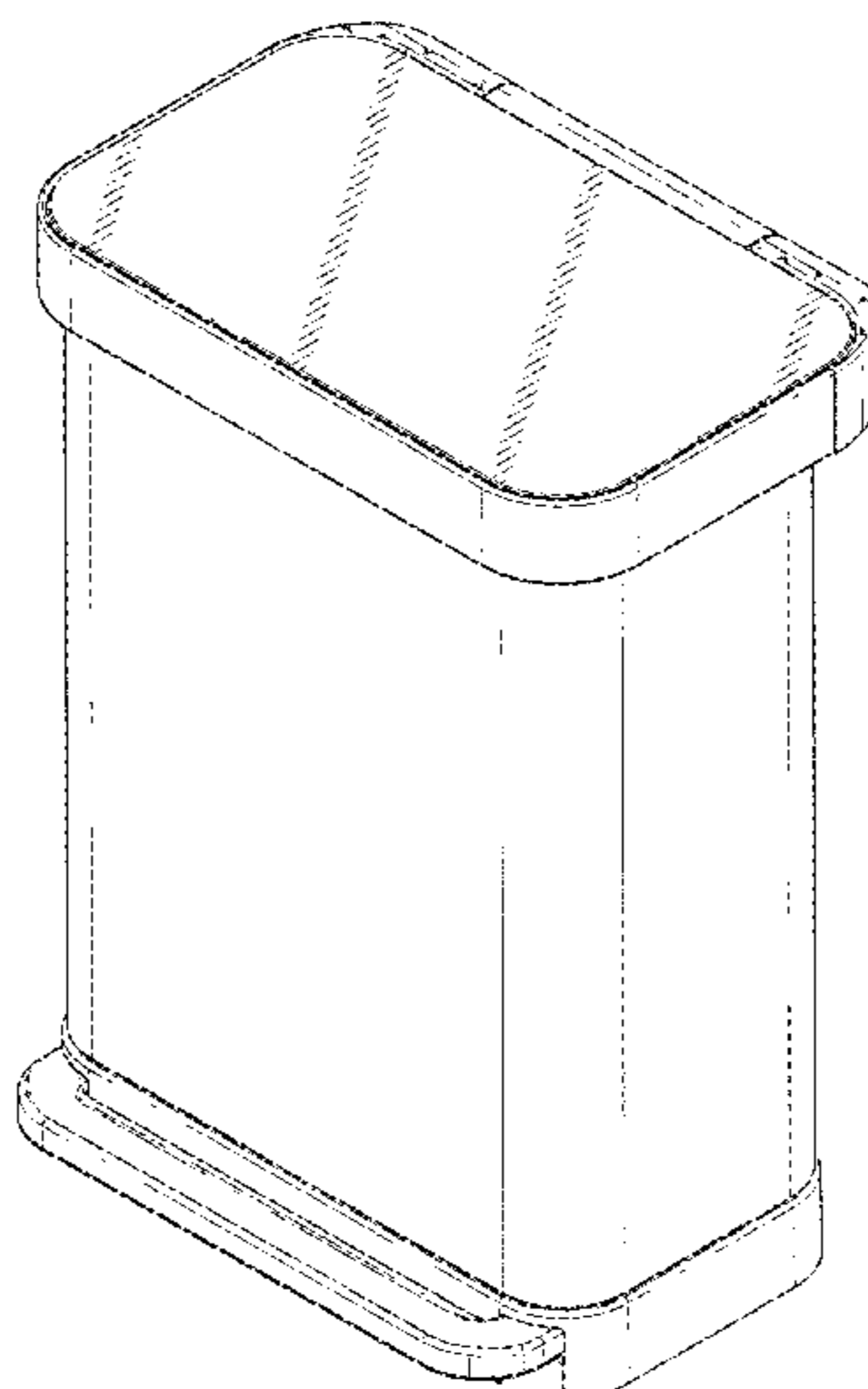
The broken lines shown in the figures are included for the purpose of illustrating portions of the trash can and form no part of the claimed design.

1 Claim, 7 Drawing Sheets

(56) **References Cited**

U.S. PATENT DOCUMENTS

830,182 A 9/1906 Skov
1,426,211 A 8/1922 Pausin
1,461,253 A 7/1923 Owen
1,754,802 A 4/1930 Raster
1,820,555 A 8/1931 Buschman
1,891,651 A 12/1932 Padelford et al.
1,922,729 A 8/1933 Geibel
1,980,938 A 11/1934 Geibel
2,308,326 A 1/1943 Calcagno
D148,825 S 2/1948 Snider
2,457,274 A 12/1948 Rifken



(56)

References Cited

U.S. PATENT DOCUMENTS

3,137,408 A	6/1964	Taylor		D329,929 S	9/1992	Knoedler et al.	
3,300,082 A	1/1967	Patterson		5,147,055 A	9/1992	Samson et al.	
3,392,825 A	7/1968	Gale et al.		5,156,290 A	10/1992	Rodrigues	
3,451,453 A	6/1969	Heck		5,170,904 A	12/1992	Neuhaus	
3,654,534 A	4/1972	Fischer		5,174,462 A	12/1992	Hames	
3,800,503 A	4/1974	Maki		D335,562 S	5/1993	Evans	
3,820,200 A	6/1974	Myers		5,213,272 A	5/1993	Gallagher et al.	
3,825,150 A	7/1974	Taylor		5,222,704 A	6/1993	Light	
3,825,215 A	7/1974	Borglum		D337,181 S	7/1993	Warman	
3,886,425 A	5/1975	Weiss		5,226,558 A	7/1993	Whitney et al.	
3,888,406 A	6/1975	Nippes		5,230,525 A	7/1993	Delmerico et al.	
3,891,115 A	6/1975	Ono		5,242,074 A	9/1993	Conaway et al.	
4,014,457 A	3/1977	Hodge		D340,333 S	10/1993	Duran et al.	
4,027,774 A	6/1977	Cote		5,249,693 A	10/1993	Gillispie et al.	
4,081,105 A	3/1978	Dagonnet et al.		5,261,553 A	11/1993	Mueller et al.	
4,189,808 A	2/1980	Brown		5,265,511 A	11/1993	Itzov	
4,200,197 A	4/1980	Meyer et al.		5,295,607 A	3/1994	Chang	
4,217,616 A	8/1980	Jessup		5,305,916 A	4/1994	Suzuki et al.	
4,303,174 A	12/1981	Anderson		5,314,151 A	5/1994	Carter-Mann	
4,320,851 A	3/1982	Montoya		5,322,179 A	6/1994	Ting	
4,349,123 A	9/1982	Yang		5,329,212 A	7/1994	Feigleson	
4,357,740 A	11/1982	Brown		5,348,222 A	9/1994	Patey	
4,416,197 A	11/1983	Kehl		5,353,950 A	10/1994	Taylor et al.	
4,417,669 A	11/1983	Knowles et al.		5,372,272 A	12/1994	Jennings	
4,457,483 A	7/1984	Gagne		5,381,588 A	1/1995	Nelson	
4,535,911 A	8/1985	Goulter		5,385,258 A	1/1995	Sutherlin	
4,570,304 A	2/1986	Montreuil et al.		5,390,818 A	2/1995	LaBuda	
4,576,310 A	3/1986	Isgar et al.		5,404,621 A	4/1995	Heinke	
D284,320 S	6/1986	Kubic et al.		5,407,089 A	4/1995	Bird et al.	
4,609,117 A	9/1986	Pamment		5,419,452 A	5/1995	Mueller et al.	
4,630,332 A	12/1986	Bisbing		5,471,708 A	12/1995	Lynch	
4,630,752 A	12/1986	DeMars		5,474,201 A	12/1995	Liu	
4,664,347 A	5/1987	Brown et al.		5,501,358 A	3/1996	Hobday	
4,697,312 A	10/1987	Freyer		5,520,067 A	5/1996	Gaba	
4,711,161 A	12/1987	Swin et al.		5,520,303 A	5/1996	Bernstein et al.	
4,729,490 A	3/1988	Ziegenbein		5,531,348 A	7/1996	Baker et al.	
4,753,367 A	6/1988	Miller et al.		5,535,913 A	7/1996	Asbach et al.	
4,763,808 A	8/1988	Guhl et al.		5,558,254 A	9/1996	Anderson et al.	
4,765,548 A	8/1988	Sing		5,584,412 A	12/1996	Wang	
4,765,579 A	8/1988	Robbins, III et al.		D377,554 S	1/1997	Adriaansen	
4,785,964 A	11/1988	Miller et al.		5,611,507 A	3/1997	Smith	
4,792,039 A	12/1988	Dayton		5,628,424 A	5/1997	Gola	
4,794,973 A	1/1989	Perisic		5,632,401 A	5/1997	Hurd	
4,813,592 A *	3/1989	Stolzman	B65D 15/08 220/618	5,636,416 A	6/1997	Anderson	
				5,636,761 A *	6/1997	Diamond	B65D 83/38 220/619
4,823,979 A	4/1989	Clark, Jr.		5,644,111 A	7/1997	Cerny et al.	
4,834,260 A	5/1989	Auten		5,645,186 A	7/1997	Powers et al.	
4,863,053 A	9/1989	Oberg		5,650,680 A	7/1997	Chula	
4,867,339 A	9/1989	Hahn		D383,277 S	9/1997	Peters	
4,869,391 A	9/1989	Farrington		5,662,235 A	9/1997	Nieto	
4,884,717 A	12/1989	Bussard et al.		5,671,847 A	9/1997	Pedersen et al.	
4,892,223 A	1/1990	DeMent		5,690,247 A	11/1997	Boover	
4,892,224 A	1/1990	Graham		5,695,088 A	12/1997	Kasbohm	
4,913,308 A	4/1990	Culbertson		5,699,929 A	12/1997	Ouno	
4,915,347 A	4/1990	Iqbal et al.		D388,922 S	1/1998	Peters	
4,918,568 A	4/1990	Stone et al.		D389,631 S	1/1998	Peters	
D308,272 S	5/1990	Koepsell		5,704,511 A	1/1998	Kellams	
4,923,087 A	5/1990	Burrows		5,724,837 A	3/1998	Shin	
4,944,419 A	7/1990	Chandler		5,730,312 A	3/1998	Hung	
4,948,004 A	8/1990	Chich		5,732,845 A	3/1998	Armaly, Jr.	
4,964,523 A	10/1990	Bieltvedt et al.		5,735,495 A	4/1998	Kubota	
4,972,966 A	11/1990	Craft, Jr.		5,738,239 A	4/1998	Triglia	
4,996,467 A	2/1991	Day		5,799,909 A	9/1998	Ziegler	
5,031,793 A	7/1991	Chen et al.		5,816,431 A	10/1998	Giannopoulos	
5,048,903 A	9/1991	Loblein		5,816,640 A	10/1998	Nishimura	
5,054,724 A	10/1991	Hutcheson		D401,383 S	11/1998	Gish	
5,065,272 A	11/1991	Owen et al.		D401,719 S	11/1998	Van Leeuwen et al.	
5,065,891 A	11/1991	Casey		5,873,643 A	2/1999	Burgess, Jr. et al.	
5,076,462 A	12/1991	Perrone		5,881,896 A	3/1999	Presnell et al.	
D323,573 S	1/1992	Schneider		5,881,901 A	3/1999	Hampton	
5,090,585 A	2/1992	Power		5,884,237 A	3/1999	Kanki et al.	
5,090,785 A	2/1992	Stamp		5,887,748 A	3/1999	Nguyen	
5,100,087 A	3/1992	Ashby		5,961,105 A	10/1999	Ehrnsberger et al.	
5,111,958 A	5/1992	Witthoeft		5,967,392 A	10/1999	Niemi et al.	
D327,760 S	7/1992	Donnelly		5,987,708 A	11/1999	Newton	
				6,000,569 A	12/1999	Liu	
				6,010,024 A	1/2000	Wang	
				6,024,238 A	2/2000	Jaros	

(56)

References Cited

U.S. PATENT DOCUMENTS

6,036,050	A	3/2000	Ruane	D537,999	S	3/2007	Lin
6,102,239	A	8/2000	Wien	D538,995	S	3/2007	Lin
6,105,859	A	8/2000	Stafford	D539,498	S	3/2007	Yang et al.
6,123,215	A	9/2000	Windle	D539,499	S	3/2007	Yang et al.
D431,700	S	10/2000	Roudebush	D540,001	S	4/2007	Zimmerman
6,126,031	A	10/2000	Reason	D542,001	S	5/2007	Yang et al.
6,129,233	A	10/2000	Schiller	D542,995	S	5/2007	Lin
6,131,861	A	10/2000	Fortier, Jr. et al.	D543,673	S	5/2007	Yang et al.
D435,951	S	1/2001	Yang et al.	D544,170	S	6/2007	Lin
6,209,744	B1	4/2001	Gill	D544,171	S	6/2007	Lin
6,211,637	B1	4/2001	Studer	D544,671	S	6/2007	Saunders et al.
6,234,339	B1	5/2001	Thomas	D545,024	S	6/2007	Liao
6,250,492	B1	6/2001	Verbeek	7,225,943	B2	6/2007	Yang et al.
D445,980	S	7/2001	Tjugum	D547,020	S	7/2007	Chen
6,286,706	B1	9/2001	Tucker	7,243,811	B1	7/2007	Ramsey
6,328,320	B1	12/2001	Walski et al.	D550,918	S	9/2007	Wang et al.
6,345,725	B1	2/2002	Lin	D552,319	S	10/2007	Gusdorf
6,364,147	B1	4/2002	Meinzinger et al.	D552,321	S	10/2007	Yang et al.
6,386,386	B1	5/2002	George	D552,823	S	10/2007	Yang et al.
6,390,321	B1	5/2002	Wang	D552,824	S	10/2007	Zimmerman
6,401,958	B1	6/2002	Foss et al.	D552,825	S	10/2007	Yang et al.
6,519,130	B1	2/2003	Breslow	D555,320	S	11/2007	Yang et al.
6,557,716	B1	5/2003	Chan	D559,494	S	1/2008	Yang et al.
D476,456	S	6/2003	Englert et al.	D559,495	S	1/2008	Yang et al.
6,596,983	B2	7/2003	Brent	D562,522	S	2/2008	Daams
6,626,316	B2	9/2003	Yang	7,328,842	B2	2/2008	Wagner et al.
6,626,317	B2	9/2003	Pfiefer et al.	D564,169	S	3/2008	Wang
6,632,064	B1	10/2003	Walker et al.	D564,723	S	3/2008	Yang et al.
D482,169	S	11/2003	Lin	D566,367	S	4/2008	Lin
6,659,407	B2	12/2003	Asaro	D566,369	S	4/2008	Shek
6,681,950	B2	1/2004	Miller, Jr. et al.	D566,923	S	4/2008	Lin
D488,604	S	4/2004	Yang et al.	D567,468	S	4/2008	Yang et al.
D488,903	S	4/2004	Yang et al.	D568,572	S	5/2008	Yang et al.
D489,503	S	5/2004	Lin	7,374,060	B2	5/2008	Yang et al.
D489,857	S	5/2004	Yang et al.	D571,520	S	6/2008	Lin
D490,583	S	5/2004	Yang et al.	7,395,990	B1	7/2008	Stevens
D490,954	S	6/2004	Brand	7,398,913	B2	7/2008	McClure
D491,706	S	6/2004	Yang et al.	7,404,499	B1	7/2008	Ramsey
6,758,366	B2	7/2004	Bourgund et al.	D574,569	S	8/2008	Yang et al.
D493,930	S	8/2004	Wang	D576,371	S	9/2008	Zimmerman
D494,723	S	8/2004	Lin	D578,265	S	10/2008	Presnell
6,812,655	B1	11/2004	Wang et al.	D578,266	S	10/2008	Yang et al.
6,814,249	B2	11/2004	Lin	D578,268	S	10/2008	Yang et al.
D499,450	S	12/2004	Goodman et al.	D578,722	S	10/2008	Yang et al.
6,837,393	B1	1/2005	Kuo	7,438,199	B1	10/2008	Tidrick
6,857,538	B2	2/2005	Lin	D580,120	S	11/2008	Lin
6,859,005	B2	2/2005	Boliver	D580,613	S	11/2008	Yang et al.
D503,021	S	3/2005	Yang et al.	D580,615	S	11/2008	Yang et al.
6,866,826	B2	3/2005	Moore et al.	D581,622	S	11/2008	Presnell et al.
6,883,676	B2	4/2005	Lin	D584,470	S	1/2009	Bizzell et al.
D507,090	S	7/2005	Yang et al.	D585,171	S	1/2009	Bizzell et al.
6,920,994	B2	7/2005	Lin	D585,618	S	1/2009	Yang et al.
6,974,948	B1	12/2005	Brent	D586,070	S	2/2009	Lin
D513,445	S	1/2006	Lin	7,494,021	B2	2/2009	Yang et al.
6,981,606	B2	1/2006	Yang et al.	D587,874	S	3/2009	Lin
D517,764	S	3/2006	Wang	D593,271	S	5/2009	Yang et al.
D517,767	S	3/2006	Yang et al.	7,540,396	B2	6/2009	Yang et al.
D518,266	S	3/2006	Yang et al.	7,543,716	B2	6/2009	Lin
7,017,773	B2	3/2006	Gruber et al.	7,559,433	B2	7/2009	Yang et al.
7,044,323	B2	5/2006	Yang	D599,074	S	8/2009	Bizzell et al.
D525,756	S	7/2006	Yang et al.	D603,119	S	10/2009	Yang et al.
7,073,677	B2	7/2006	Richardson et al.	7,607,552	B2	10/2009	Efstathiou
7,077,283	B2	7/2006	Yang et al.	D604,472	S	11/2009	Blanks et al.
7,080,750	B2	7/2006	Wein et al.	7,614,519	B2	11/2009	Krauth et al.
7,086,550	B2	8/2006	Yang et al.	7,621,420	B2	11/2009	Bandoh et al.
D528,726	S	9/2006	Lin	7,656,109	B2	2/2010	Yang et al.
7,121,421	B2	10/2006	Yang et al.	D611,216	S	3/2010	Yang et al.
D531,499	S	11/2006	Zaidman	D611,217	S	3/2010	Bizzell et al.
D535,799	S	1/2007	Epps	D611,671	S	3/2010	Yang et al.
D535,800	S	1/2007	Yang et al.	7,694,838	B2	4/2010	Yang et al.
7,163,591	B2	1/2007	Kim et al.	7,703,622	B1	4/2010	Bynoe
7,168,591	B1	1/2007	Miller	D615,270	S	5/2010	Yang et al.
D537,223	S	2/2007	Lin	D615,722	S	5/2010	Yang et al.
D537,599	S	2/2007	Lin	7,712,285	B2	5/2010	Stravitz et al.
D537,601	S	2/2007	Lin	7,741,801	B2	6/2010	Fukuizumi
				7,748,556	B2	7/2010	Yang et al.
				7,781,995	B2	8/2010	Yang et al.
				D623,817	S	9/2010	Yang et al.
				D625,068	S	10/2010	Shannon

(56)

References Cited

U.S. PATENT DOCUMENTS

7,806,285 B2	10/2010	Yang et al.	2005/0029281 A1	2/2005	Westermann et al.
D627,533 S	11/2010	Yang et al.	2005/0258177 A1	11/2005	Woodson
D627,944 S	11/2010	Wang et al.	2005/0258794 A1	11/2005	Fukuizumi
D629,172 S	12/2010	Liao	2006/0027579 A1	2/2006	Yang et al.
D630,404 S	1/2011	Yang et al.	2006/0103086 A1	5/2006	Niemeyer et al.
D631,221 S	1/2011	Yang et al.	2006/0138149 A1	6/2006	Tracy
D632,864 S	2/2011	Yang et al.	2006/0163257 A1	7/2006	Golbert
D634,911 S	3/2011	Yang et al.	2006/0175336 A1	8/2006	Wang
D635,319 S	3/2011	Meyerhoffer	2006/0186121 A1	8/2006	Yang et al.
7,896,187 B2	3/2011	Haibel	2006/0196874 A1	9/2006	Yang
7,922,024 B2	4/2011	Yang et al.	2006/0237641 A1*	10/2006	Moeller H01J 49/14 250/288
7,950,543 B2	5/2011	Yang et al.	2006/0249510 A1	11/2006	Lin
D644,390 S	8/2011	Smeets et al.	2006/0278643 A1	12/2006	Chiou
7,992,742 B1	8/2011	Kim	2007/0012699 A1	1/2007	Yang et al.
8,006,857 B2	8/2011	Lin	2007/0034334 A1	2/2007	Ramsey et al.
D644,806 S	9/2011	Yang et al.	2007/0045326 A1	3/2007	Tramontina et al.
D644,807 S	9/2011	Yang et al.	2007/0090112 A1	4/2007	Kalman et al.
D649,728 S	11/2011	Campbell	2007/0114847 A1	5/2007	Ichimaru et al.
8,074,833 B2	12/2011	Yang et al.	2007/0181579 A1	8/2007	Kuo et al.
8,096,445 B2	1/2012	Yang et al.	2007/0209846 A1	9/2007	Wilson
8,136,688 B2	3/2012	Lee et al.	2007/0215622 A1	9/2007	Perez
D657,108 S	4/2012	Yang et al.	2007/0241109 A1	10/2007	Lin
D657,109 S	4/2012	Liao	2007/0266637 A1	11/2007	McGowan
8,297,470 B2	10/2012	Yang et al.	2007/0272691 A1	11/2007	Wang et al.
8,317,055 B2	11/2012	Zawrotny et al.	2007/0289972 A1	12/2007	Wynn et al.
D672,520 S	12/2012	Yang et al.	2008/0011754 A1	1/2008	Ramsey
D673,750 S	1/2013	Quan	2008/0011910 A1	1/2008	Ramsey
D675,802 S	2/2013	Yang et al.	2008/0041863 A1	2/2008	Forest
D675,803 S	2/2013	Yang et al.	2008/0083756 A1	4/2008	Daniels
8,418,869 B2	4/2013	Yang et al.	2008/0083757 A1	4/2008	Parker et al.
D689,255 S	9/2013	Sun Ting Kung et al.	2008/0099274 A1	5/2008	Seel
8,567,630 B2	10/2013	Yang et al.	2008/0128428 A1	6/2008	Beckerman
8,569,980 B2	10/2013	Yang et al.	2008/0164257 A1*	7/2008	Boll B65F 1/08 220/264
8,575,537 B2	11/2013	Yao et al.	2008/0236275 A1	10/2008	Breed et al.
8,672,171 B2	3/2014	Wynn et al.	2008/0257889 A1	10/2008	Kovacevich et al.
8,678,219 B1	3/2014	Wang et al.	2008/0257890 A1	10/2008	Kovacevich et al.
8,686,676 B2	4/2014	Yang et al.	2008/0257891 A1	10/2008	Kovacevich et al.
8,716,969 B2	5/2014	Yang et al.	2008/0264948 A1	10/2008	Kovacevich et al.
8,720,728 B2	5/2014	Yang et al.	2008/0264950 A1	10/2008	Kovacevich et al.
8,766,582 B2	7/2014	Yang et al.	2008/0272119 A1	11/2008	Efstathiou
8,807,378 B2	8/2014	Kaberna	2008/0272127 A1	11/2008	Kovacevich et al.
8,807,379 B1	8/2014	Hammond	2009/0084788 A1	4/2009	Yang et al.
D714,510 S	9/2014	Yang et al.	2009/0136341 A1	5/2009	Kenyon
D716,015 S	10/2014	van de Leest	2009/0230131 A1	9/2009	McDuffie et al.
8,851,316 B2	10/2014	Barrett et al.	2009/0261105 A1	10/2009	Cunningham et al.
8,872,459 B2	10/2014	Yang et al.	2009/0266836 A1	10/2009	Mobley
D725,861 S	3/2015	Yang et al.	2010/0006572 A1	1/2010	Chiou
D730,008 S	5/2015	Yang et al.	2010/0084235 A1	4/2010	Lu
9,051,093 B2	6/2015	Yang et al.	2010/0096894 A1	4/2010	Fukai
2001/0002690 A1	6/2001	Rosky	2010/0122985 A1	5/2010	Peters et al.
2001/0020619 A1	9/2001	Pfeifer et al.	2010/0147865 A1	6/2010	Yang et al.
2002/0066736 A1	6/2002	Pyles	2010/0170904 A1	7/2010	Kalman et al.
2002/0092853 A1	7/2002	Wang	2010/0237074 A1	9/2010	Yang et al.
2002/0096523 A1	7/2002	Pyles	2010/0252557 A1	10/2010	Clements
2002/0096524 A1	7/2002	Hardesty	2010/0294769 A1	11/2010	Lee et al.
2002/0104266 A1	8/2002	Ranaudo	2011/0017735 A1	1/2011	Wang et al.
2002/0116924 A1	8/2002	Winkelmann et al.	2011/0049149 A1	3/2011	Shih
2003/0089719 A1	5/2003	Berger	2011/0139781 A1	6/2011	Jin et al.
2003/0102316 A1	6/2003	Forest	2011/0220655 A1	9/2011	Yang et al.
2003/0201265 A1	10/2003	Lin	2011/0272409 A1	11/2011	Kasbohm
2003/0205979 A1	11/2003	Papari et al.	2012/0234849 A1	9/2012	Hughes et al.
2003/0230576 A1	12/2003	Lin	2012/0261423 A1	10/2012	Zawrotny et al.
2004/0016756 A1	1/2004	Lin	2013/0098913 A1	4/2013	Yang et al.
2004/0134924 A1	7/2004	Hansen et al.	2013/0105487 A1	5/2013	Baik
2004/0140782 A1	7/2004	Okabe et al.	2013/0233857 A1	9/2013	Yang et al.
2004/0164077 A1	8/2004	Kuo	2013/0240592 A1	9/2013	Woodruff
2004/0174268 A1	9/2004	Scott et al.	2013/0248532 A1	9/2013	Yang et al.
2004/0175303 A1	9/2004	Lin	2013/0248535 A1*	9/2013	Wolfe B65D 25/04 220/500
2004/0199401 A1	10/2004	Wagner	2013/0300119 A1	11/2013	Anzalon et al.
2004/0200938 A1	10/2004	Forlivio	2014/0183193 A1	7/2014	Hammond et al.
2004/0206758 A1	10/2004	Lin	2014/0246432 A1	9/2014	Yang et al.
2004/0206760 A1	10/2004	Gagnebin	2014/0246434 A1	9/2014	Yang et al.
2004/0251746 A1	12/2004	Ichimaru et al.	2014/0345453 A1	11/2014	Oh et al.
2005/0017006 A1	1/2005	Kuo	2015/0251849 A1	9/2015	Yang et al.
2005/0017010 A1	1/2005	Siegel et al.			

(56)

References Cited

U.S. PATENT DOCUMENTS

2015/0259139 A1 9/2015 Yang et al.
 2015/0259140 A1 9/2015 Yang et al.
 2015/0321841 A1 11/2015 Salas et al.

FOREIGN PATENT DOCUMENTS

CA 158595 4/2015
 CA 158685 4/2015
 CN 303188855 S 4/2015
 DE 1610087 7/1950
 DE 822376 11/1951
 DE 1283741 7/1966
 DE 8436939 3/1985
 DE 9108341 10/1991
 DE 4225936 2/1994
 DE 19525885 3/1997
 DE 19617823 11/1997
 DE 19809331 5/1999
 DE 29918687 3/2000
 DE 19933180 1/2001
 DE 10148997 4/2003
 DE 20217561 3/2004
 EP 0582240 7/1993
 EP 0903305 A1 3/1999
 EP 0906876 A2 4/1999
 EP 1094017 A1 4/2001
 EP 1361176 A1 11/2003
 EP 1136393 B1 4/2004
 EP 1447342 A2 8/2004
 EP 1600373 A2 11/2005
 EP 1647503 A1 4/2006
 EP 1686073 A1 8/2006
 EP 1918223 A1 5/2008
 FR 2887152 12/2006
 GB 191004921 0/1910
 GB 2384418 7/2003
 JP 02-152670 6/1990
 JP H06-56011 8/1994
 JP 06-272888 9/1994
 JP D1300450 5/2007
 JP D1300451 5/2007
 JP D1322056 2/2008
 JP D1398668 10/2010
 JP D1550907 4/2016

JP D1551184 4/2016
 KR 3003841370000 6/2005
 KR 3004095430000 3/2006
 KR 3004095430001 7/2006
 NL 6908550 12/1970
 TW D112733 9/2006
 WO WO 92/02430 A1 2/1992
 WO WO 96/33671 10/1996
 WO WO 2005/080232 A1 9/2005
 WO WO 2006/079263 A1 8/2006
 WO WO 2009/114495 A1 9/2009
 WO WO 2015/134902 A1 9/2015
 WO WO 2015/138625 A1 9/2015
 WO WO 2016/054109 A1 4/2016

OTHER PUBLICATIONS

U.S. Appl. No. 29/548,018, filed Dec. 9, 2015, Yang et al.
 U.S. Appl. No. 29/557,032, filed Mar. 4, 2015, Yang et al.
 Office Action for Australian Application No. 201514705, dated Sep. 23, 2015, in 2 pages.
 Office Action for Canadian Application No. 164265, dated Dec. 15, 2015, in 2 pages.
 Search Report for Taiwanese Application No. 104304908, dated Feb. 15, 2016, in 2 pages.
 Search Report for Taiwanese Application No. 104304907, dated Feb. 15, 2016, in 2 pages.
 Office Action for Canadian Application No. 164264, dated Dec. 15, 2015, in 1 pages.
 Office Action for European Application No. 002766881-0001, dated Sep. 14, 2015, in 2 pages.
 U.S. Appl. No. 29/557,088, filed Mar. 4, 2016, Yang et al.
 U.S. Appl. No. 29/484,903, filed Mar. 13, 2014, Yang et al.
 U.S. Appl. No. 14/637,270, filed Mar. 4, 2015, Yang et al.
 U.S. Appl. No. 14/639,049, filed Mar. 4, 2015, Yang et al.
 U.S. Appl. No. 14/639,862, filed Mar. 5, 2015, Yang et al.
 U.S. Appl. No. 29/519,551, filed Mar. 5, 2015, Yang et al.
 Trento Corner 23 Trash Can, Hailo product webpage, May 2008, http://www.hailo.de/html/default.asp?site=12_71_107&lang=en.
 U.S. Appl. No. 14/707,978, filed May 8, 2015, To Be Determined.
 Search Report for Taiwanese Application No. 103305380, date of research May 12, 2015, in 4 pages.
 Office Action for Canadian Application No. 164264, dated Apr. 6, 2016, in 11 pages.

* cited by examiner

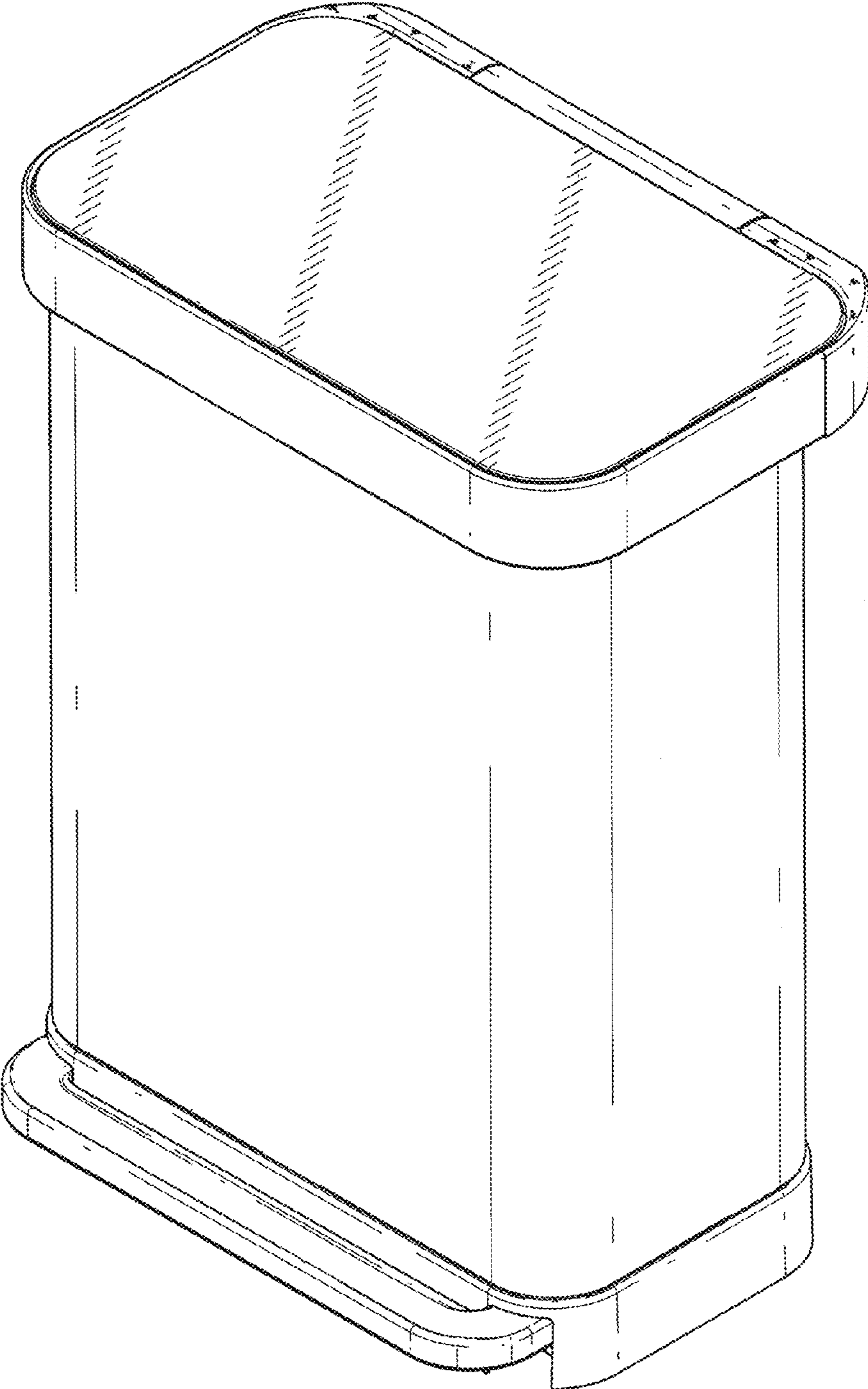


FIG. 1

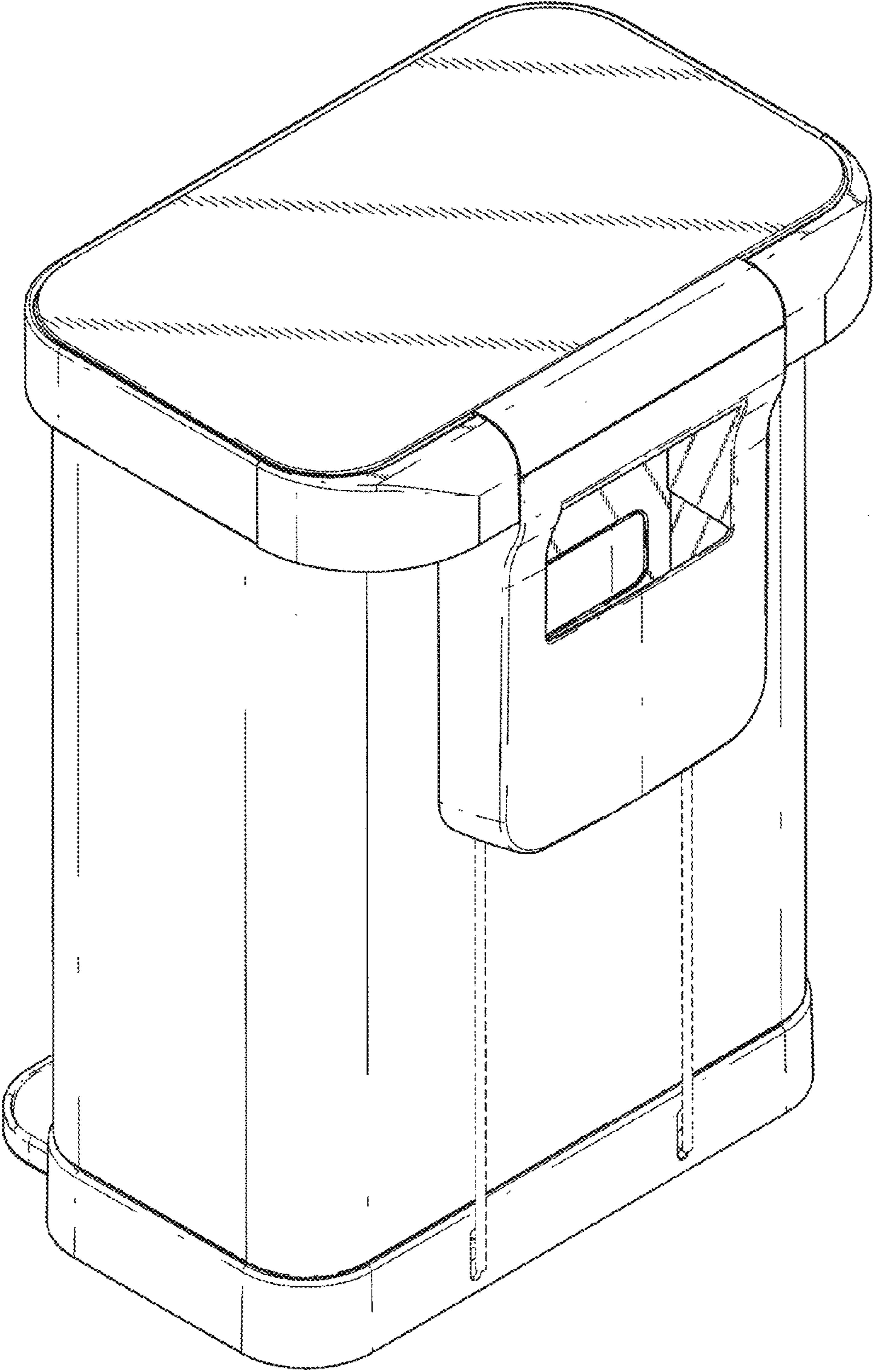


FIG. 2

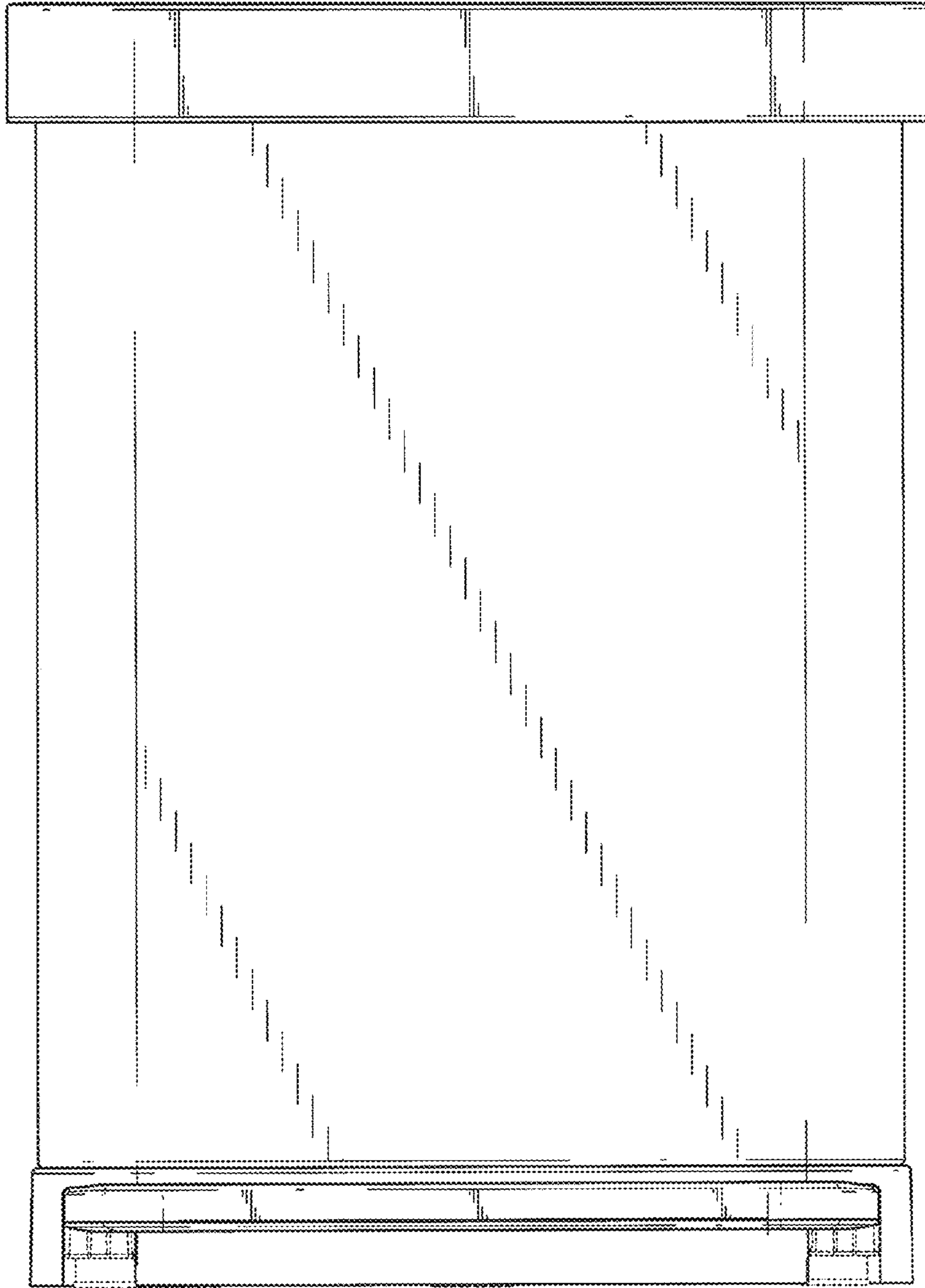


FIG. 3

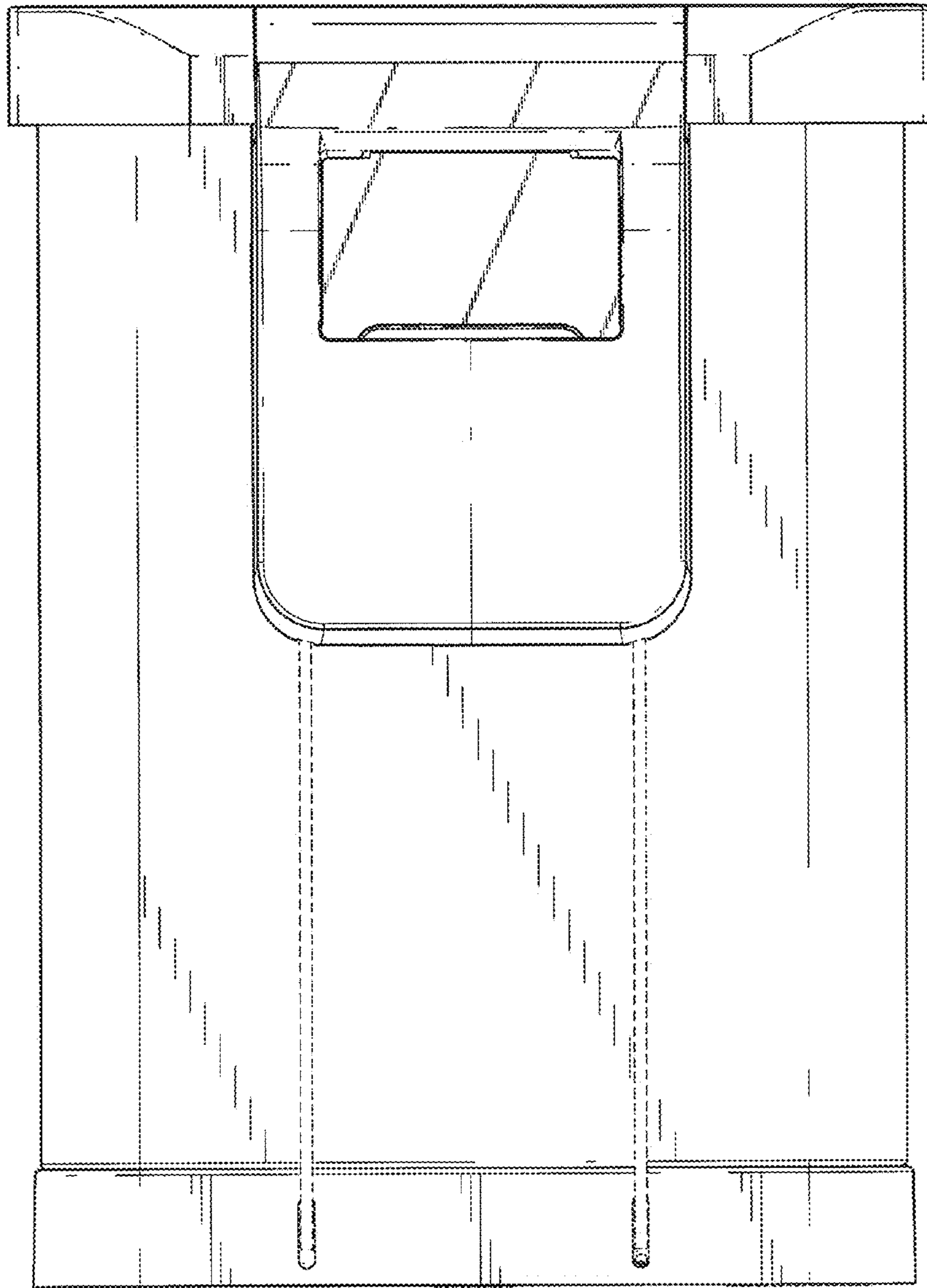


FIG. 4

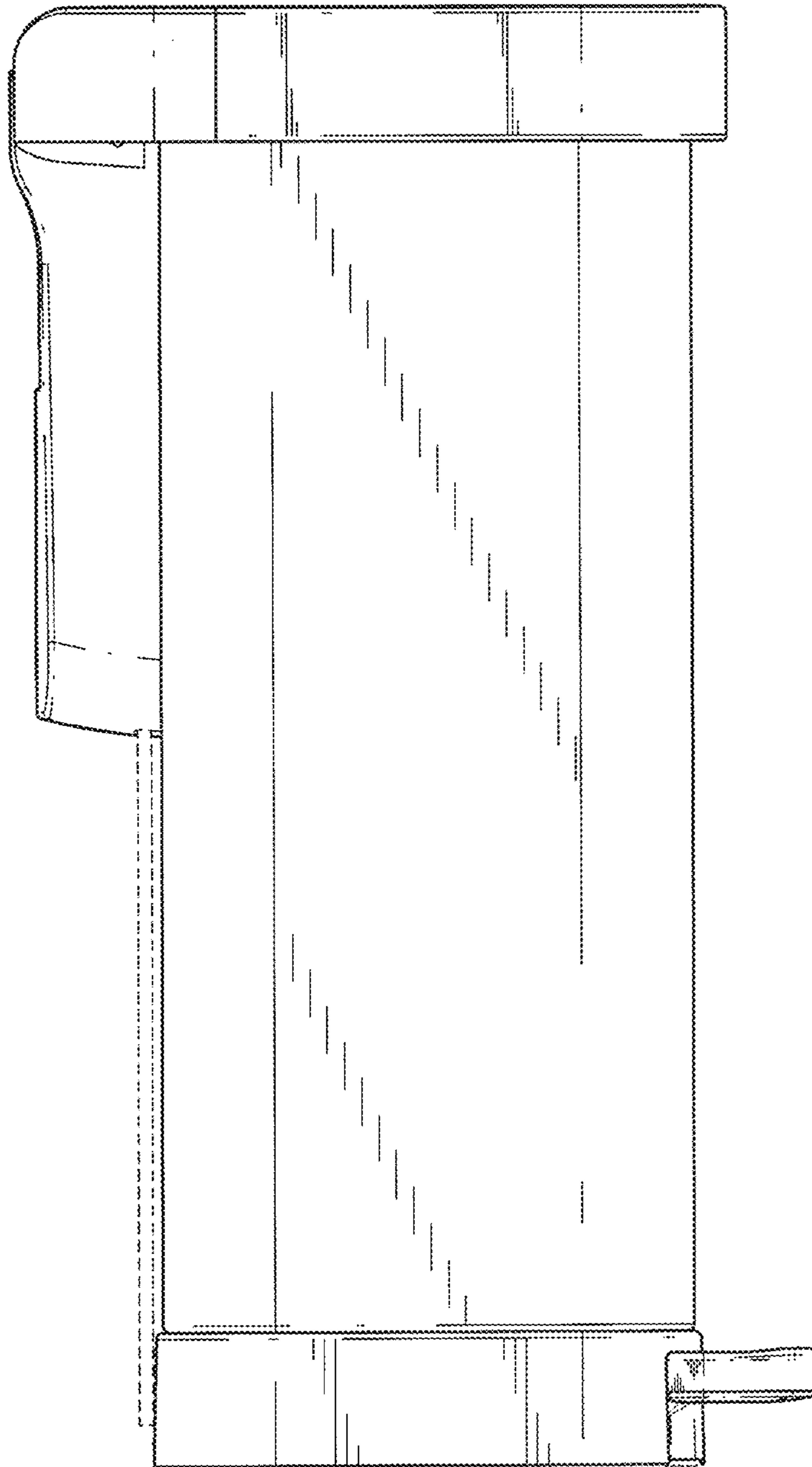


FIG. 5

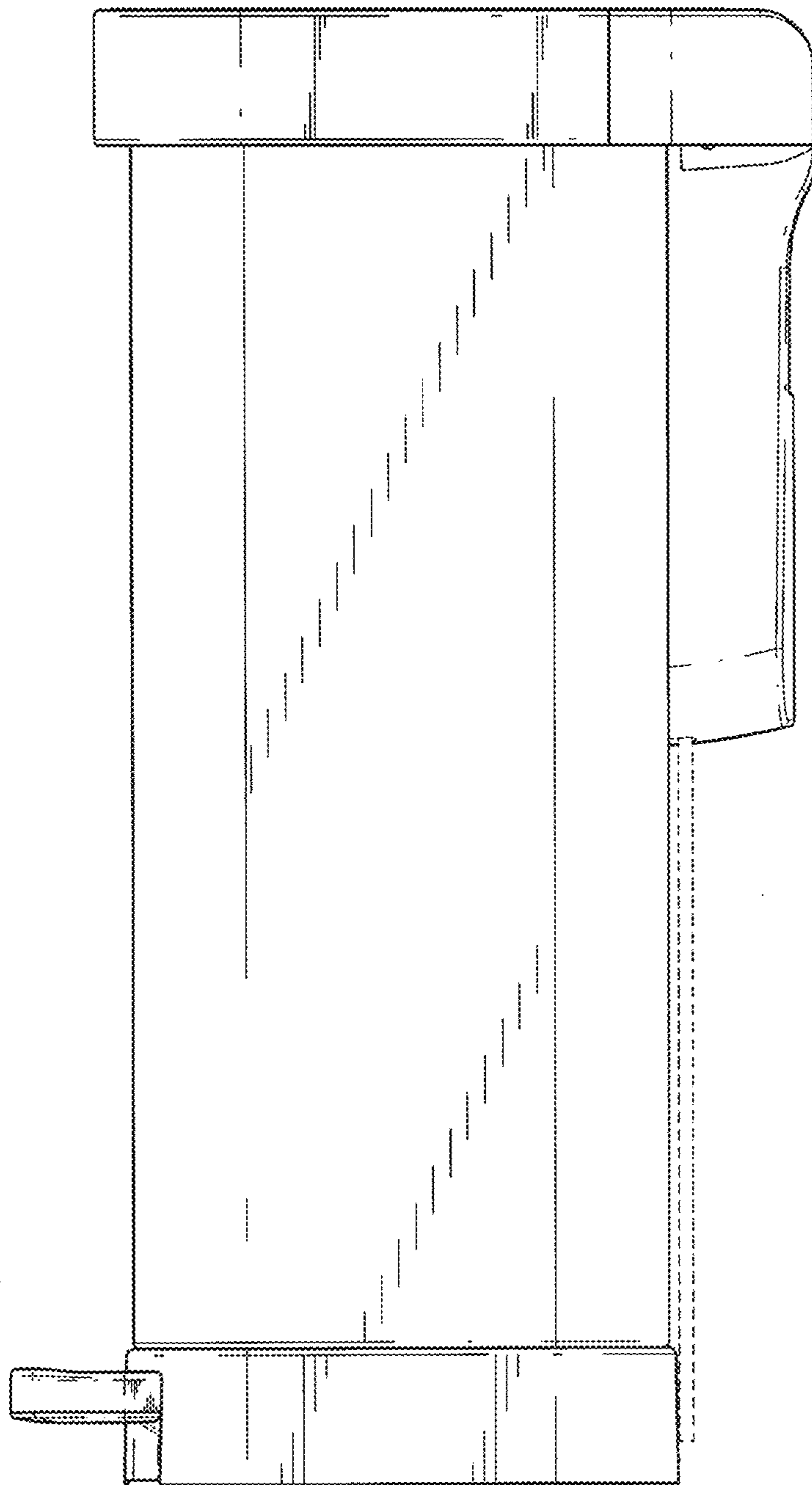


FIG. 6

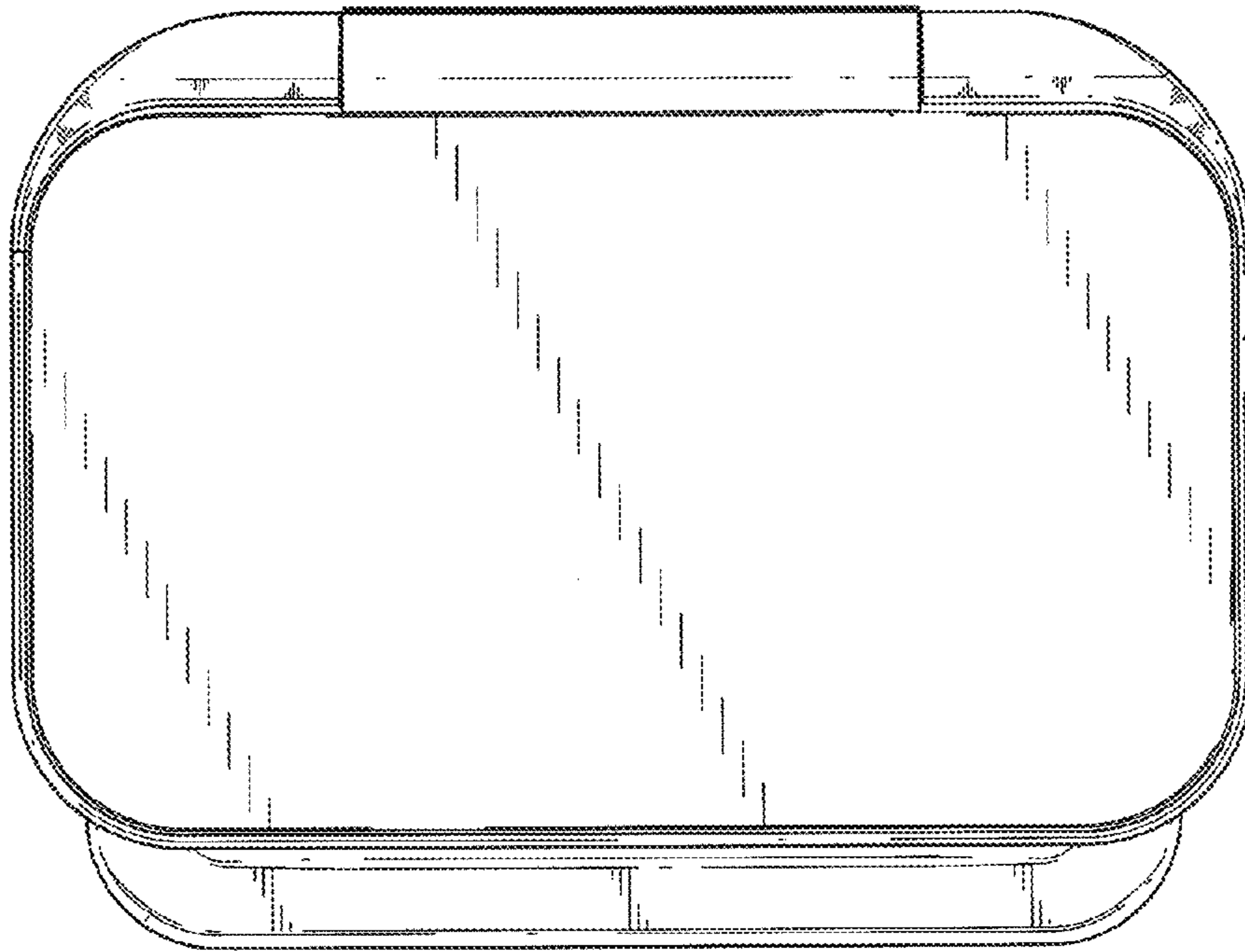


FIG. 7

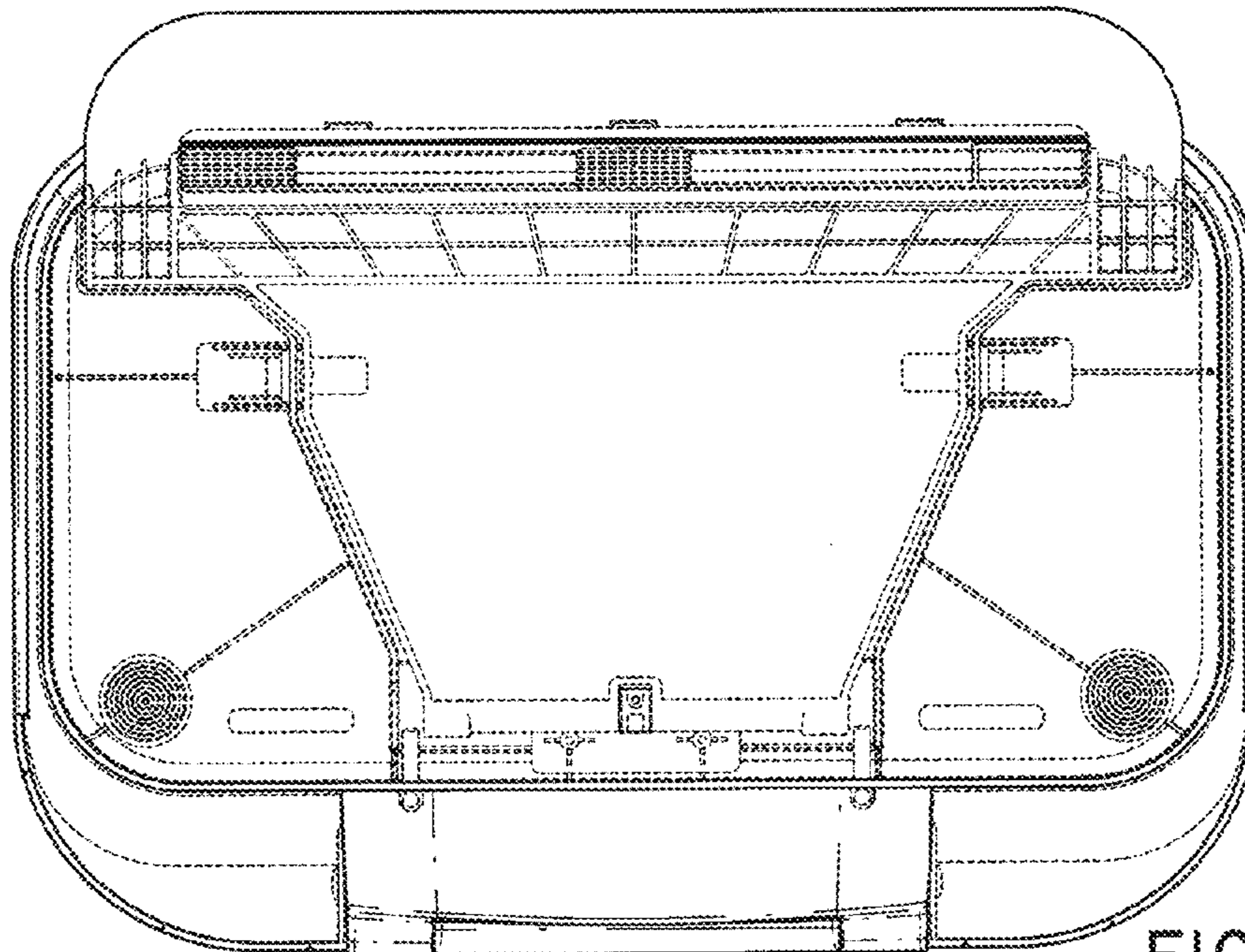


FIG. 8