



US00D771341S

(12) **United States Design Patent** (10) **Patent No.:** **US D771,341 S**  
**Kobasky** (45) **Date of Patent:** **\*\* Nov. 8, 2016**

- (54) **PAINT CAN DRIP EDGE CROWN**
- (71) Applicant: **Donald Kobasky**, St. Petersburg, FL (US)
- (72) Inventor: **Donald Kobasky**, St. Petersburg, FL (US)
- (\*\*) Term: **15 Years**
- (21) Appl. No.: **29/540,413**
- (22) Filed: **Sep. 24, 2015**
- (51) **LOC (10) Cl.** ..... **07-07**
- (52) **U.S. Cl.**  
USPC ..... **D32/54**
- (58) **Field of Classification Search**  
USPC ..... D32/53-54; 222/570; 220/694-701  
CPC ..... B44D 3/128  
See application file for complete search history.

- D620,662 S \* 7/2010 Blanchard ..... D32/54
- D664,320 S \* 7/2012 Sakko ..... D32/54
- 9,145,025 B2 \* 9/2015 Nazlian ..... B44D 3/006

\* cited by examiner

*Primary Examiner* — Robin V Webster  
(74) *Attorney, Agent, or Firm* — Edward P. Dutkiewicz

(57) **CLAIM**  
The ornamental design for a paint can drip edge crown, as shown and described.

**DESCRIPTION**

FIG. 1 is a front elevation view of the paint can drip edge crown showing my new design. The rear elevation view of the paint can drip edge crown is the same as the front elevation view;  
FIG. 2 is a right side elevation view. The left side elevation view is the same as the right side elevation view;  
FIG. 3 is the top plan view;  
FIG. 4 is the bottom plan view of the paint can drip edge crown;  
FIG. 5 is a top and side perspective view of my design, and;  
FIG. 6 is a bottom and side perspective view of the claimed design.

**1 Claim, 4 Drawing Sheets**

- (56) **References Cited**  
U.S. PATENT DOCUMENTS  
2,591,482 A \* 4/1952 Weltlich ..... B44D 3/128  
220/287  
D489,611 S \* 5/2004 Monsanty ..... D32/54

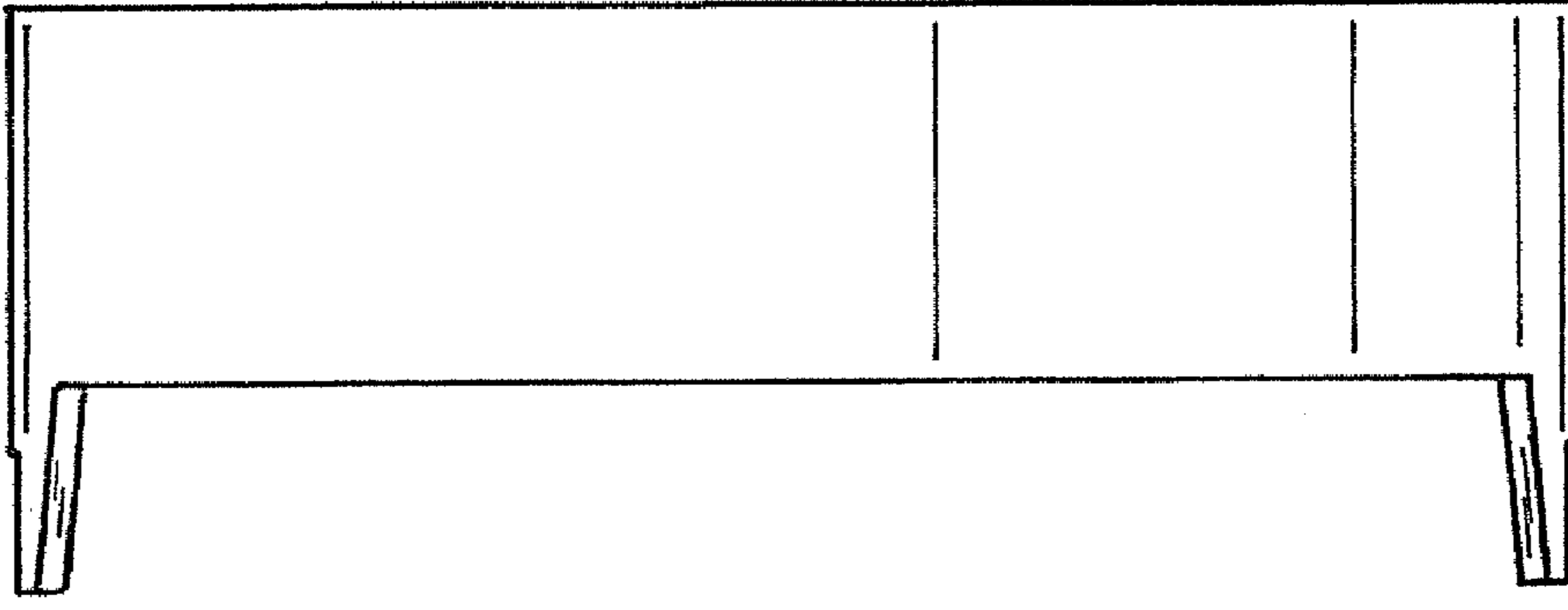


FIG. 1

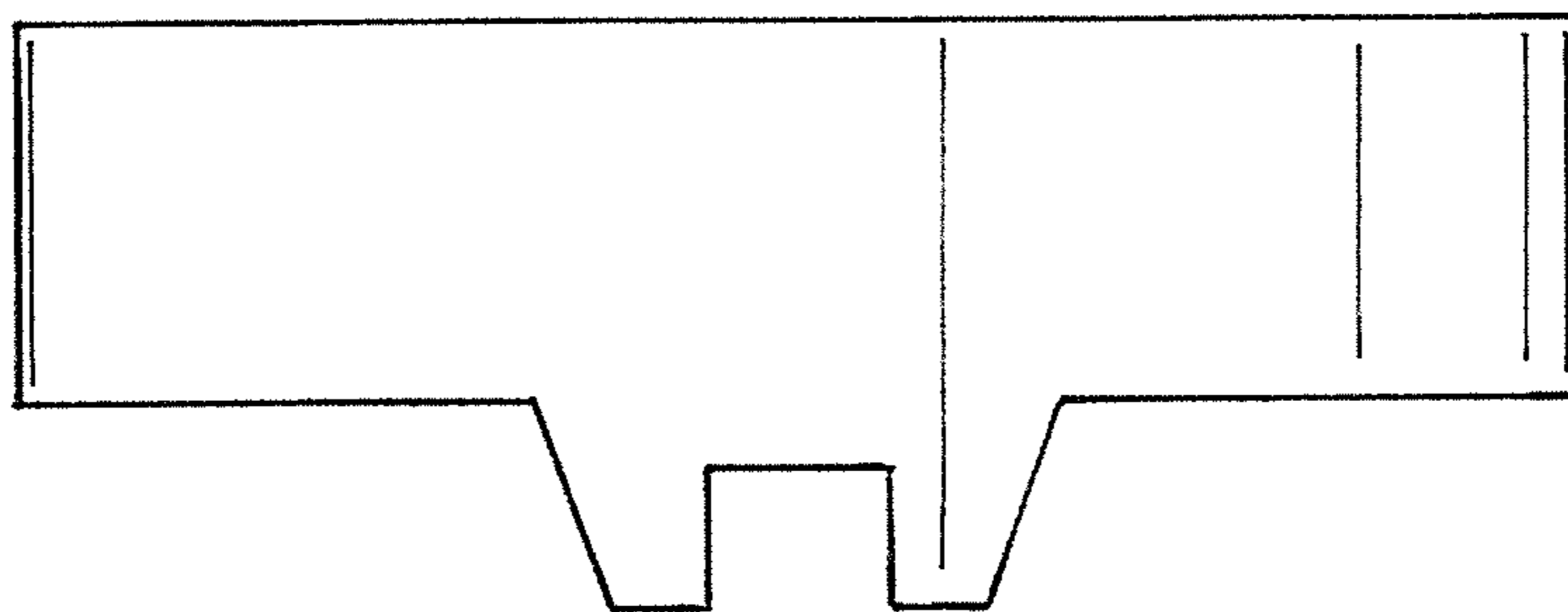
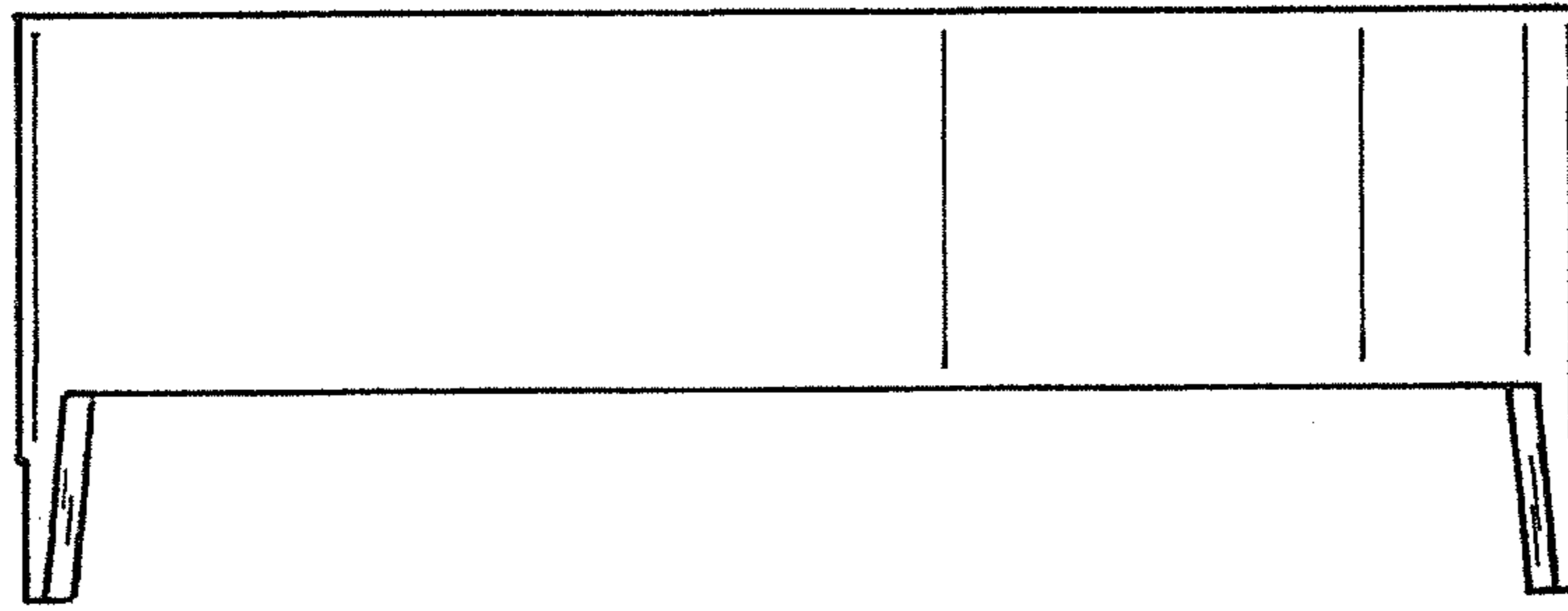


FIG. 2

FIG. 3

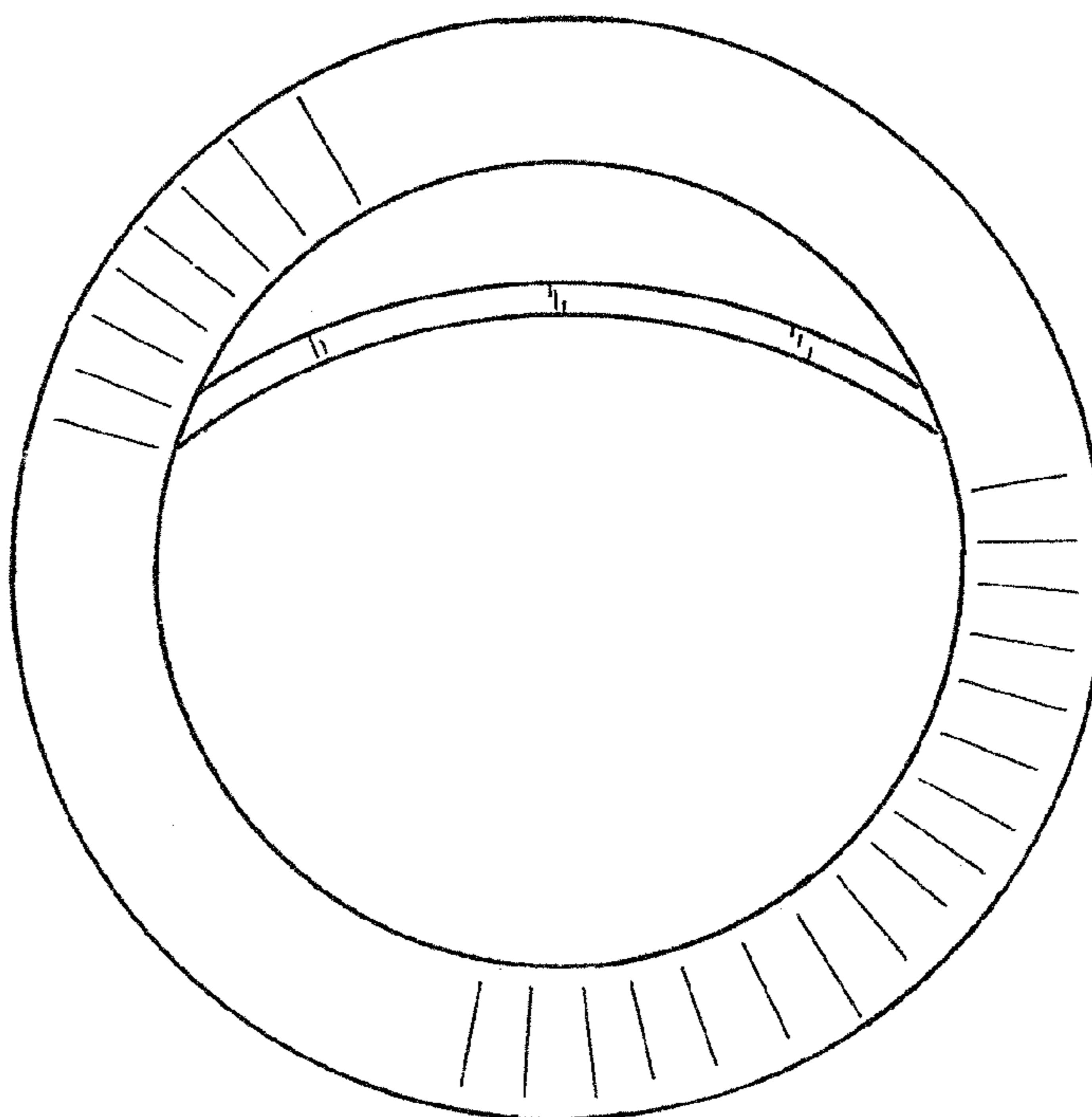
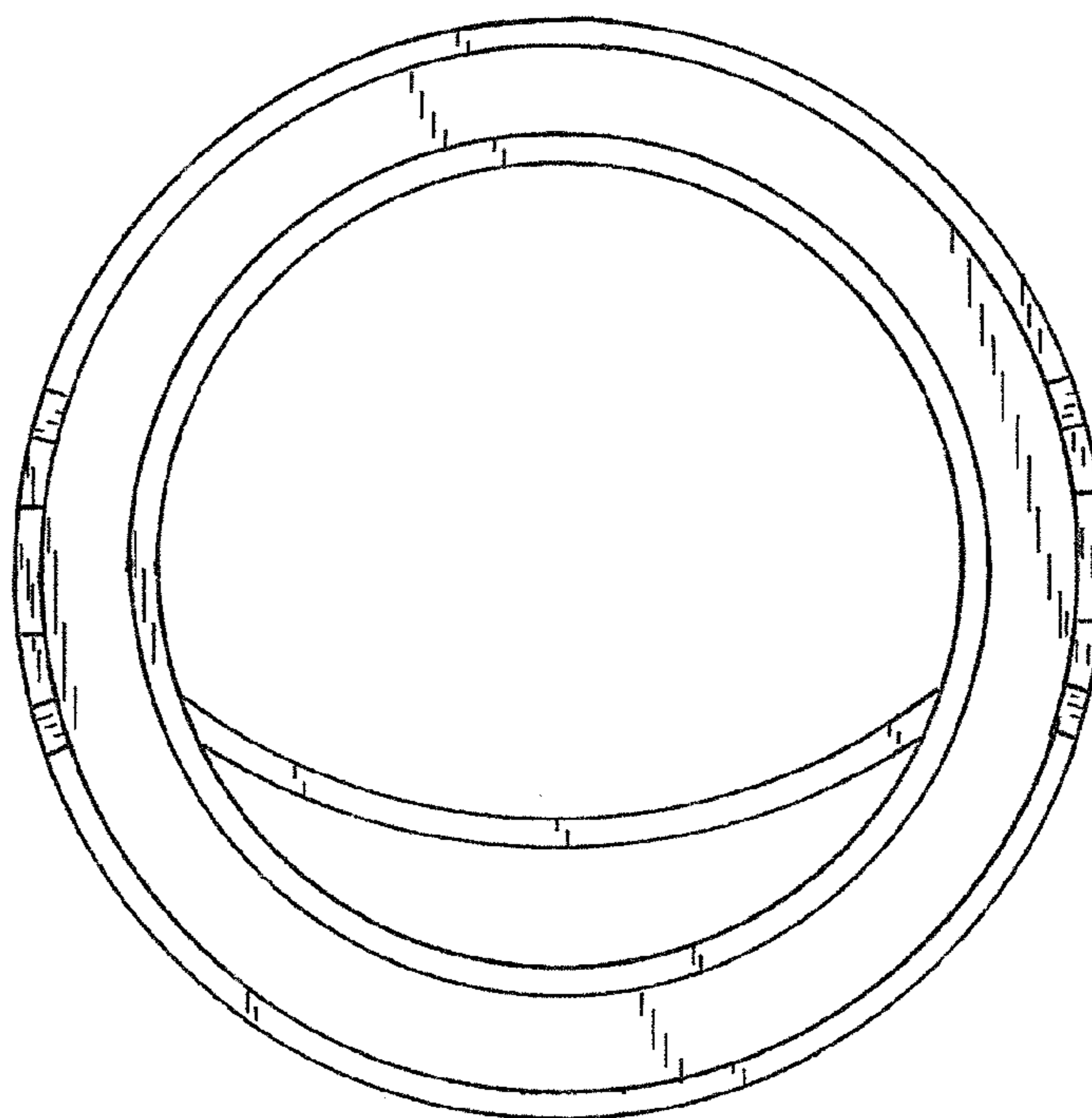


FIG. 4



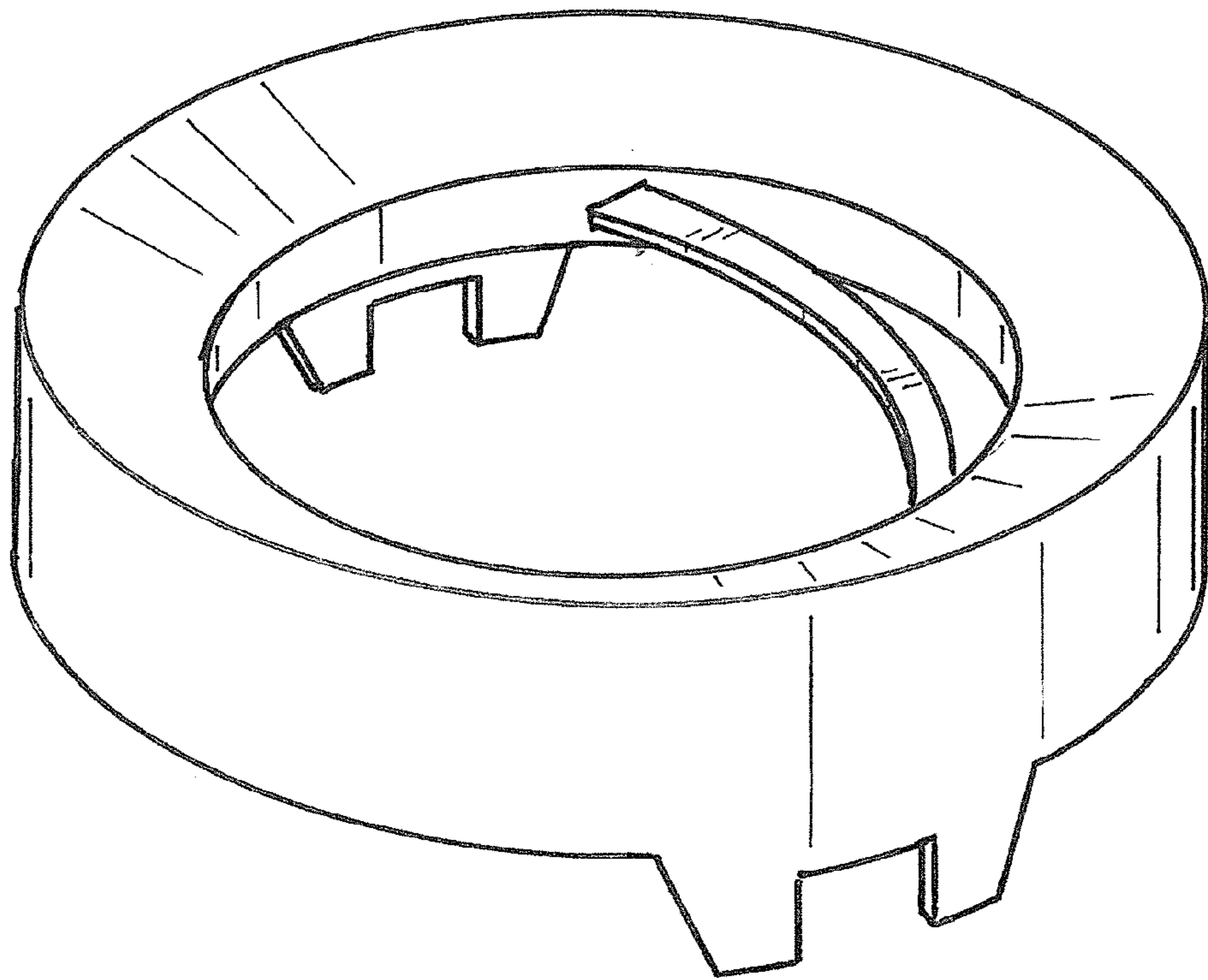


FIG. 5

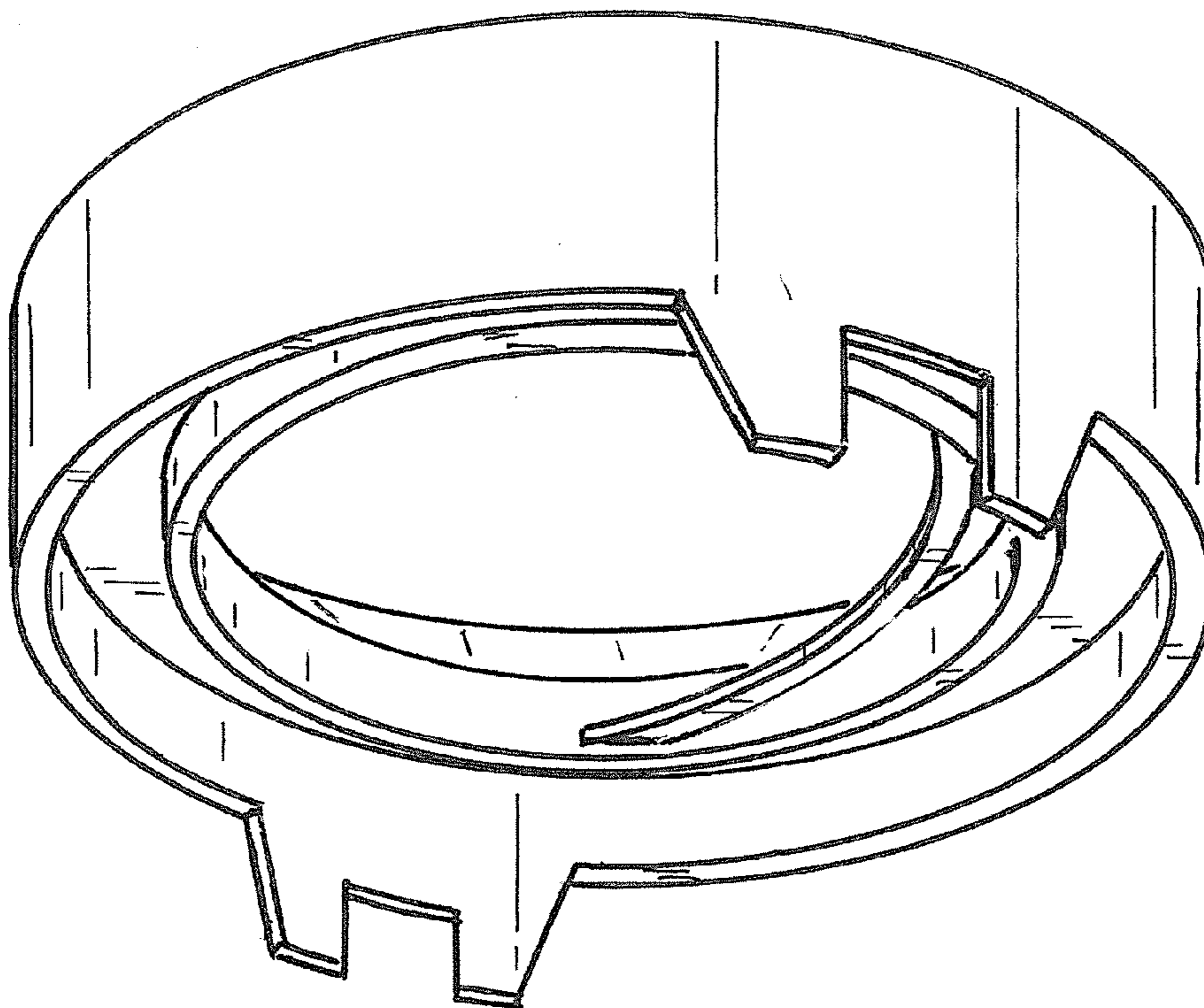


FIG. 6