



US00D771340S

(12) **United States Design Patent** (10) **Patent No.:** **US D771,340 S**
Naber et al. (45) **Date of Patent:** **** Nov. 8, 2016**

(54) BUCKET	3,372,830 A *	3/1968	Edwards	B65D 1/265 206/519
(71) Applicant: Naber Beheer B.V. , Waalwijk (NL)	3,397,867 A *	8/1968	van't Hoff	B65D 1/265 206/217
(72) Inventors: Wilhelmus Cornelis Maria Naber , Waalwijk (NL); Mike Antoon Jozef Naber , Waalwijk (NL)	3,850,361 A *	11/1974	Day	B65D 1/265 206/232
(73) Assignee: NABER BEHEER B.V. , Waalwijk (NL)	D272,794 S *	2/1984	Dart	D7/532
(**) Term: 15 Years	D315,503 S *	3/1991	Hart	D32/53.1
(21) Appl. No.: 29/546,686	D368,347 S *	3/1996	Kruger	D32/53
(22) Filed: Nov. 24, 2015	D417,326 S *	11/1999	Greene	D32/53
(30) Foreign Application Priority Data	D650,634 S *	12/2011	Hodge	D7/523
May 28, 2015 (EM)	8,701,923 B2 *	4/2014	Anhalt	B65D 1/22 206/557
	D722,474 S *	2/2015	Seiders	D32/53
	D726,984 S *	4/2015	Lewisson	D32/53

* cited by examiner

Primary Examiner — Robin V Webster

(74) *Attorney, Agent, or Firm* — Troutman Sanders LLP;
Ryan A. Schneider; Chris N. Davis

(51) **LOC (10) Cl.** **07-07**

(52) **U.S. Cl.**
USPC **D32/53; D7/532**

(58) **Field of Classification Search**
USPC D32/53-54; 15/260-264, 120.1;
220/904, 669; D7/523, 532
CPC A47L 13/58; B65D 1/265
See application file for complete search history.

(57) **CLAIM**
The ornamental design for a bucket, as shown and described.

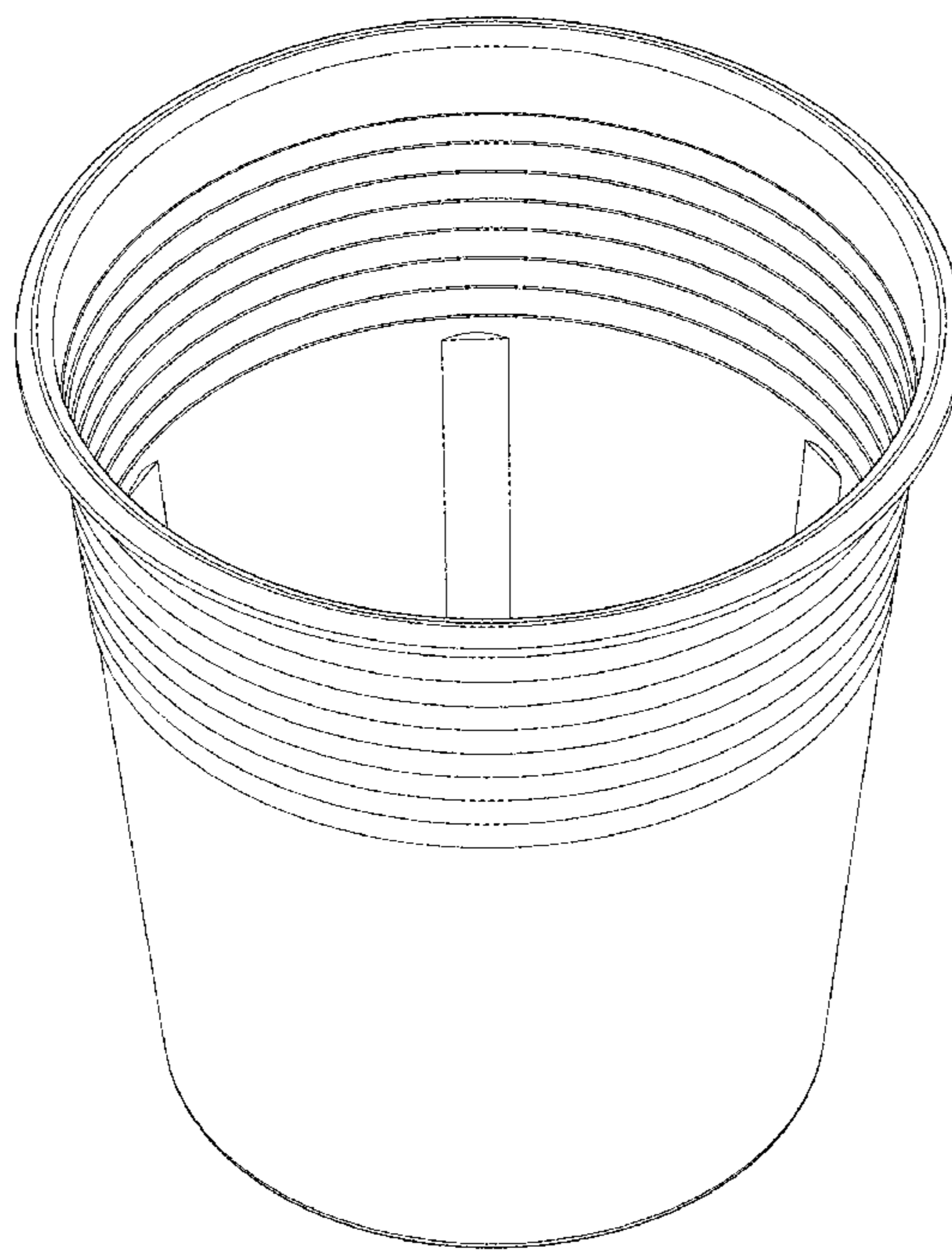
DESCRIPTION

FIG. 1 is a side view of a bucket of the present invention;
FIG. 2 is a top view of the bucket of FIG. 1;
FIG. 3 is a bottom view of the bucket of FIG. 1;
FIG. 4 is a first perspective view of the bucket of FIG. 1;
FIG. 5 is a second perspective view of the bucket of FIG. 1;
FIG. 6 is a third perspective view of the bucket of FIG. 1;
and,
FIG. 7 is a fourth perspective view of the bucket of FIG. 1.

1 Claim, 7 Drawing Sheets

(56) **References Cited**
U.S. PATENT DOCUMENTS

3,091,360 A *	5/1963	Edwards	B65D 1/265 206/520
3,131,845 A *	5/1964	Sherlock	B65D 1/265 206/520



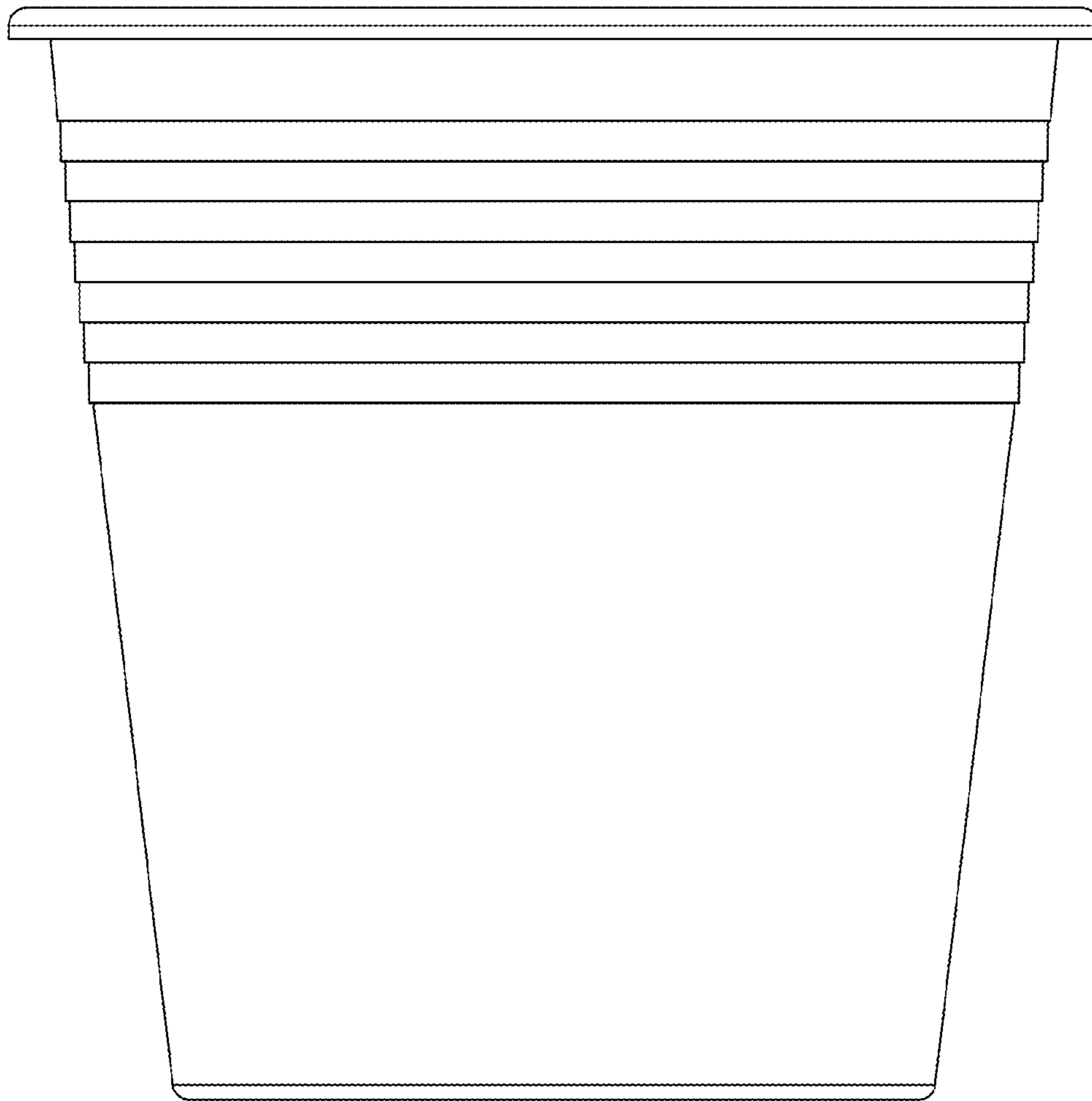


FIG. 1

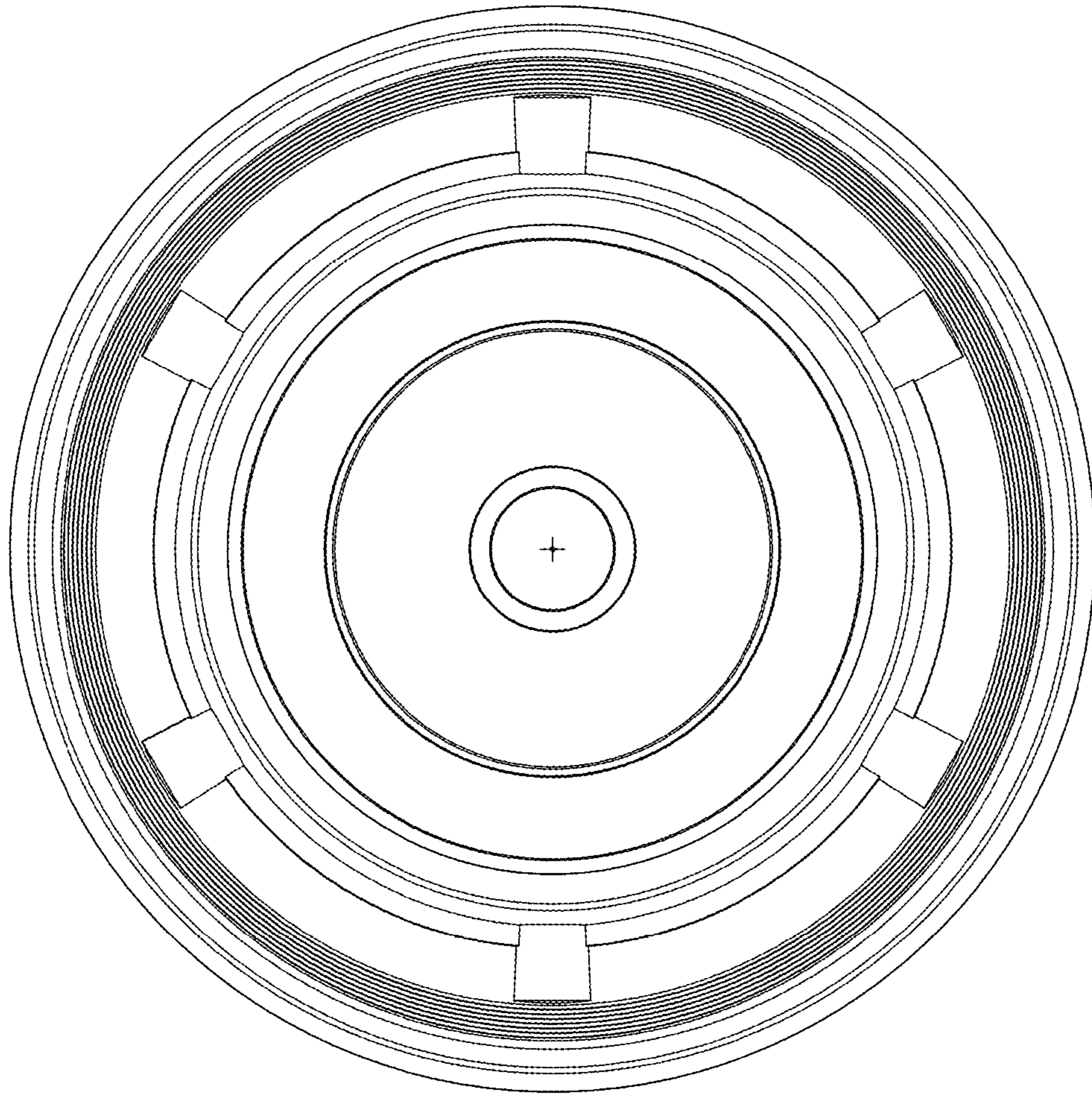


FIG. 2

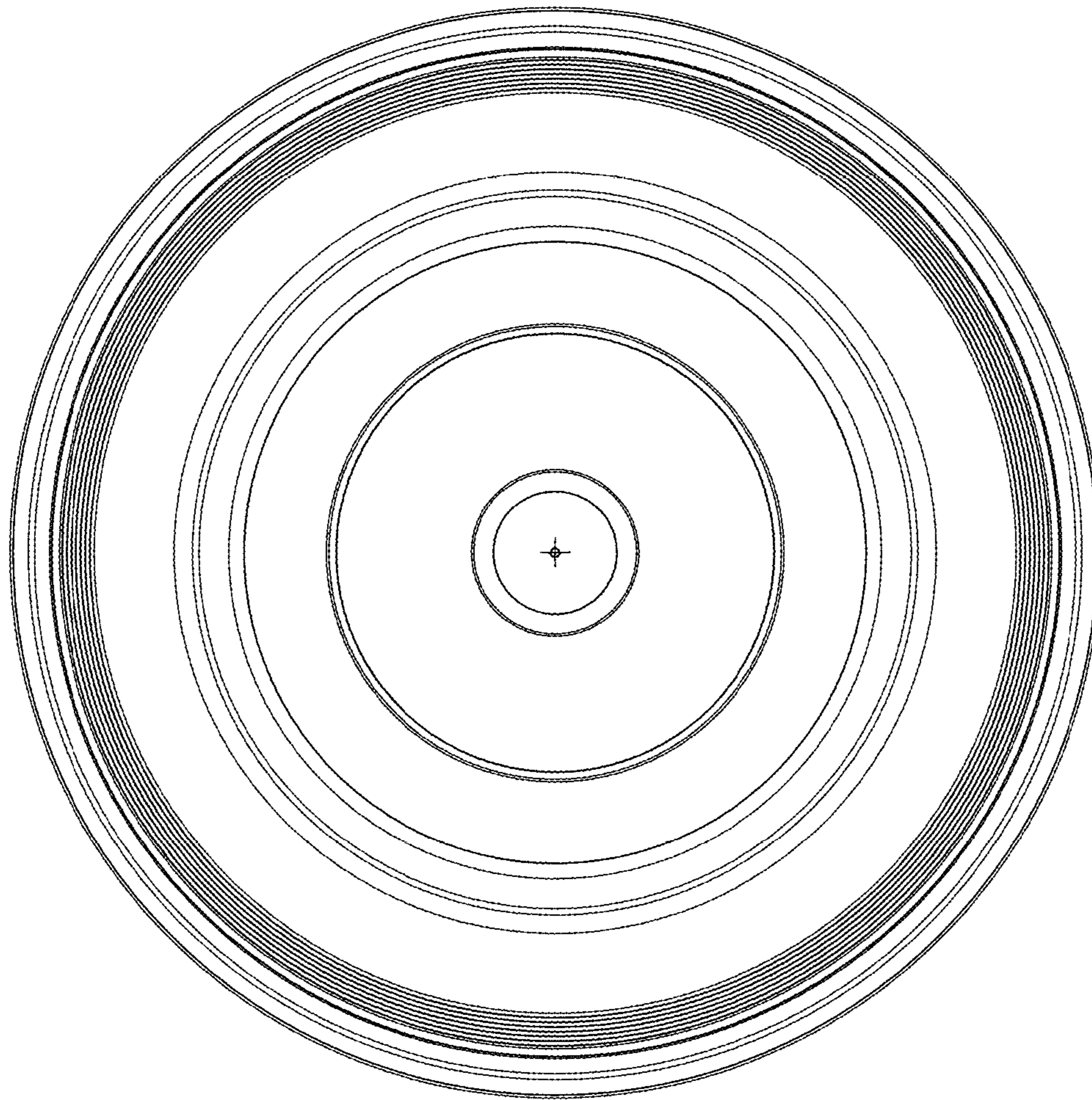


FIG. 3

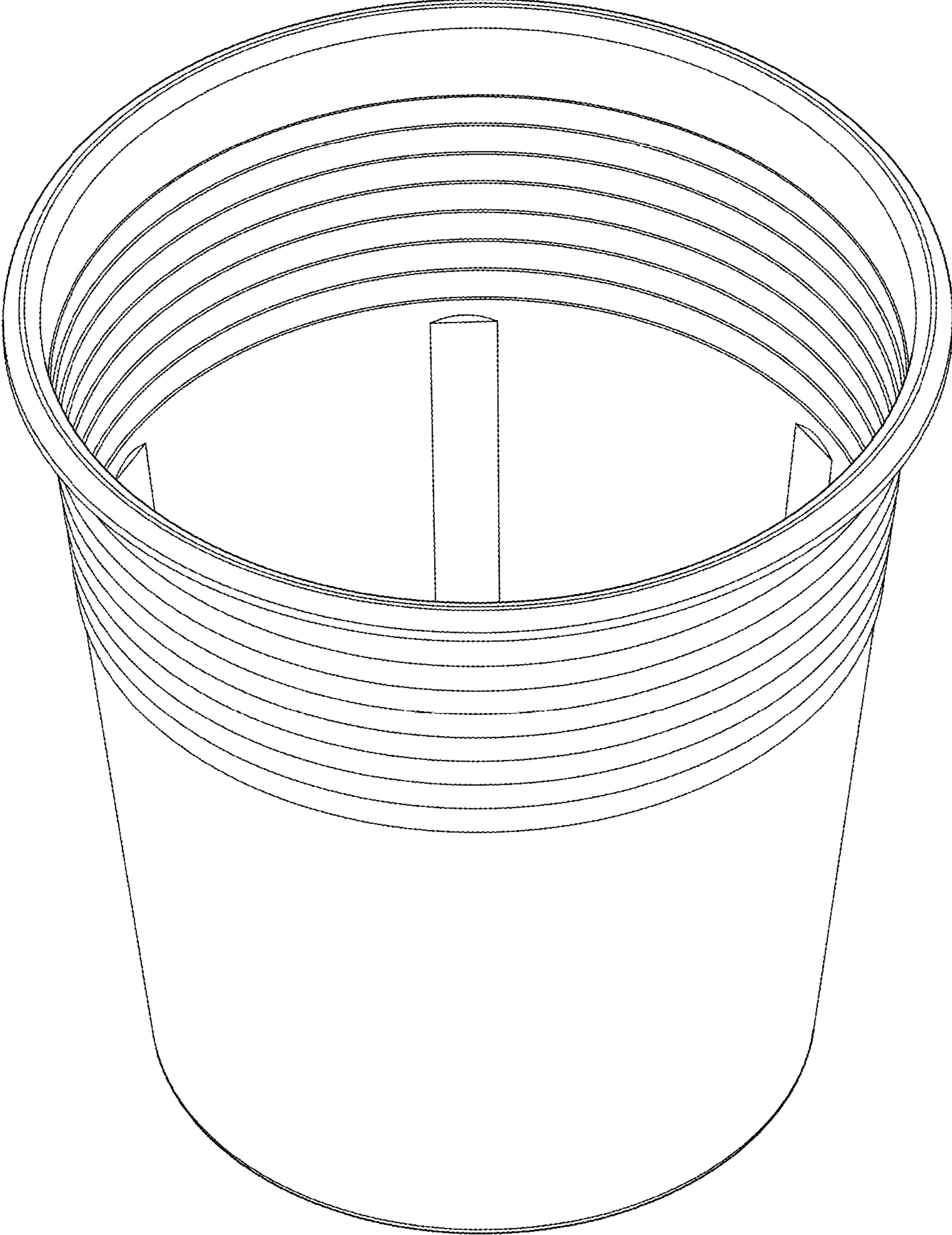


FIG. 4

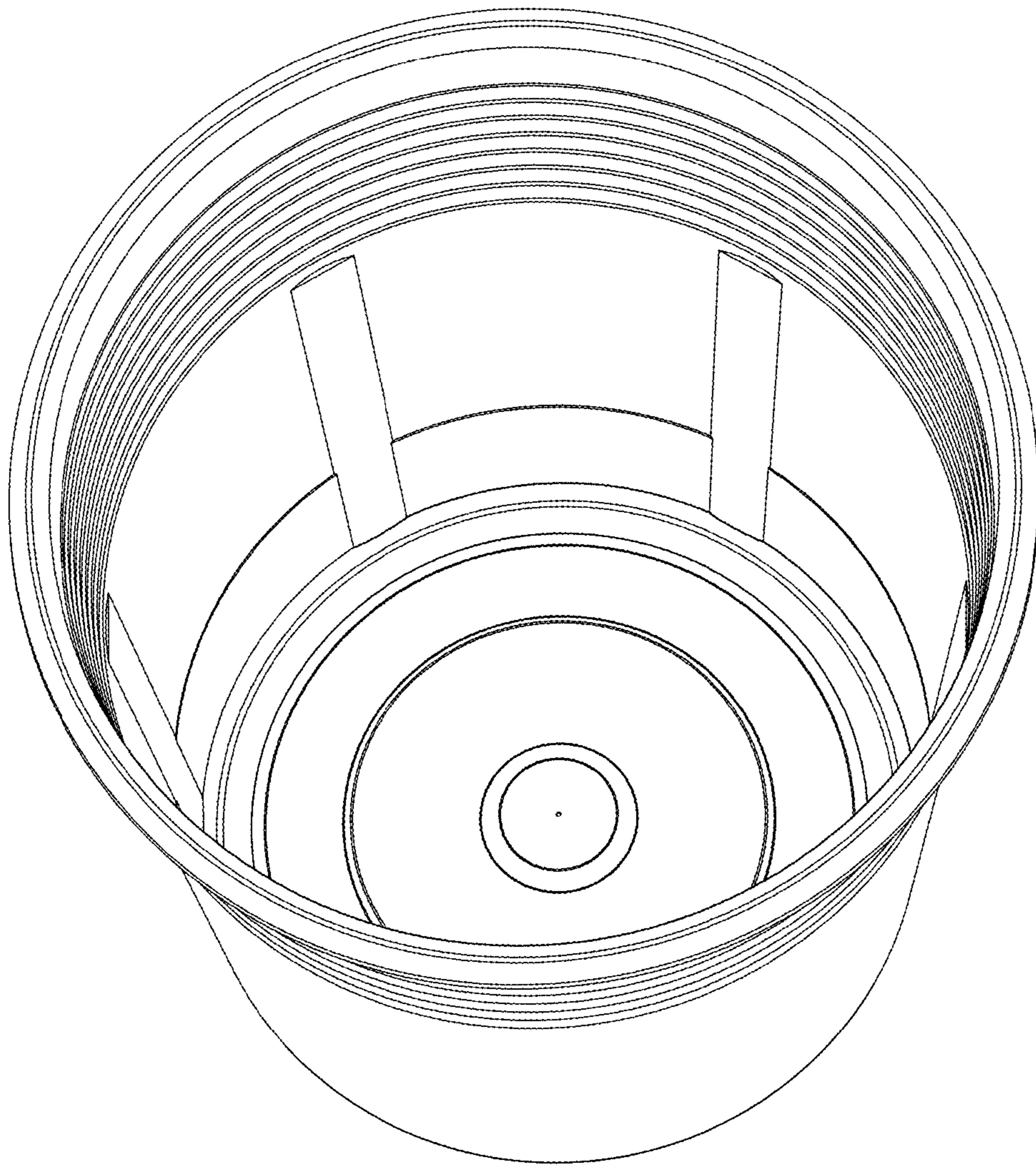


FIG. 5

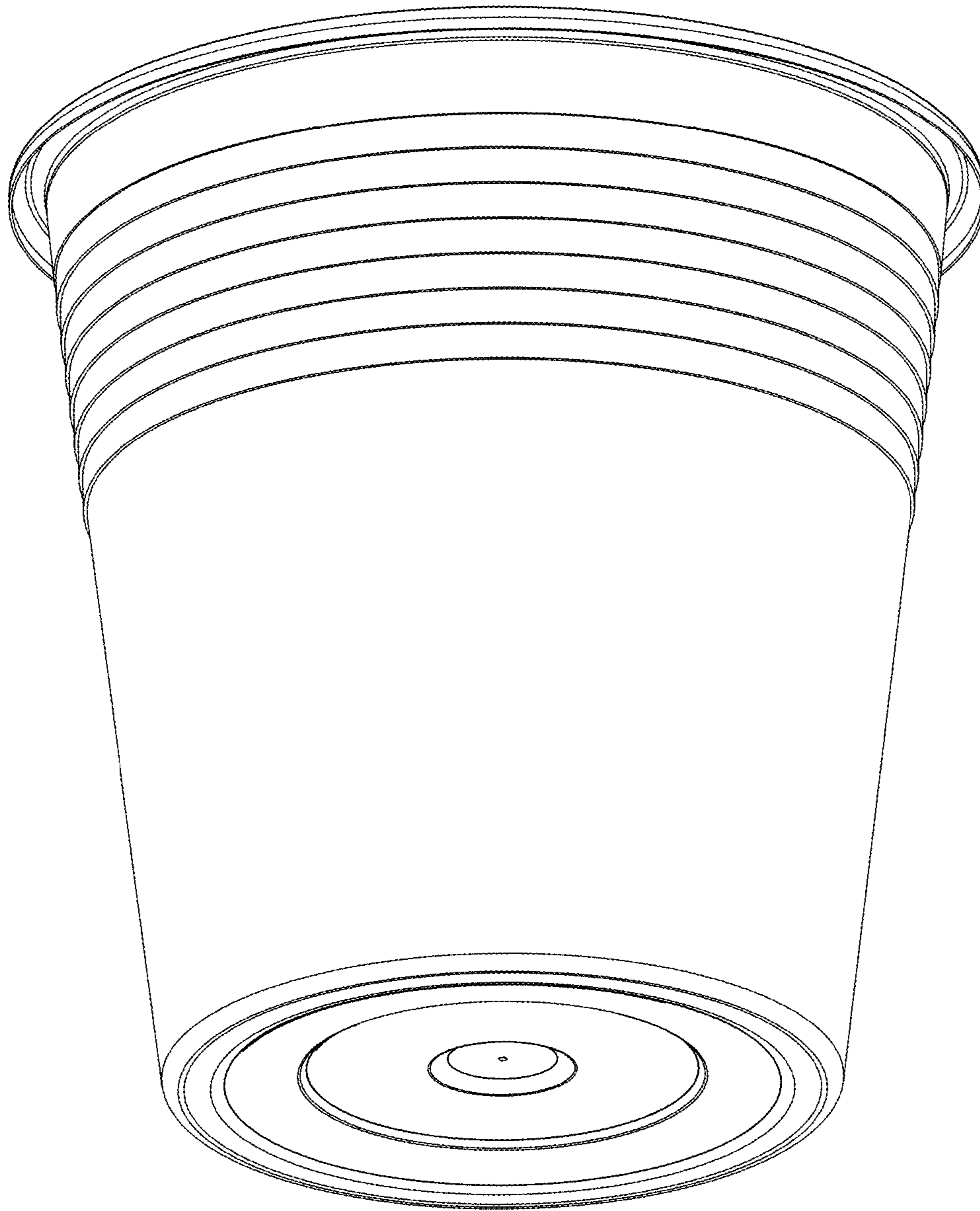


FIG. 6

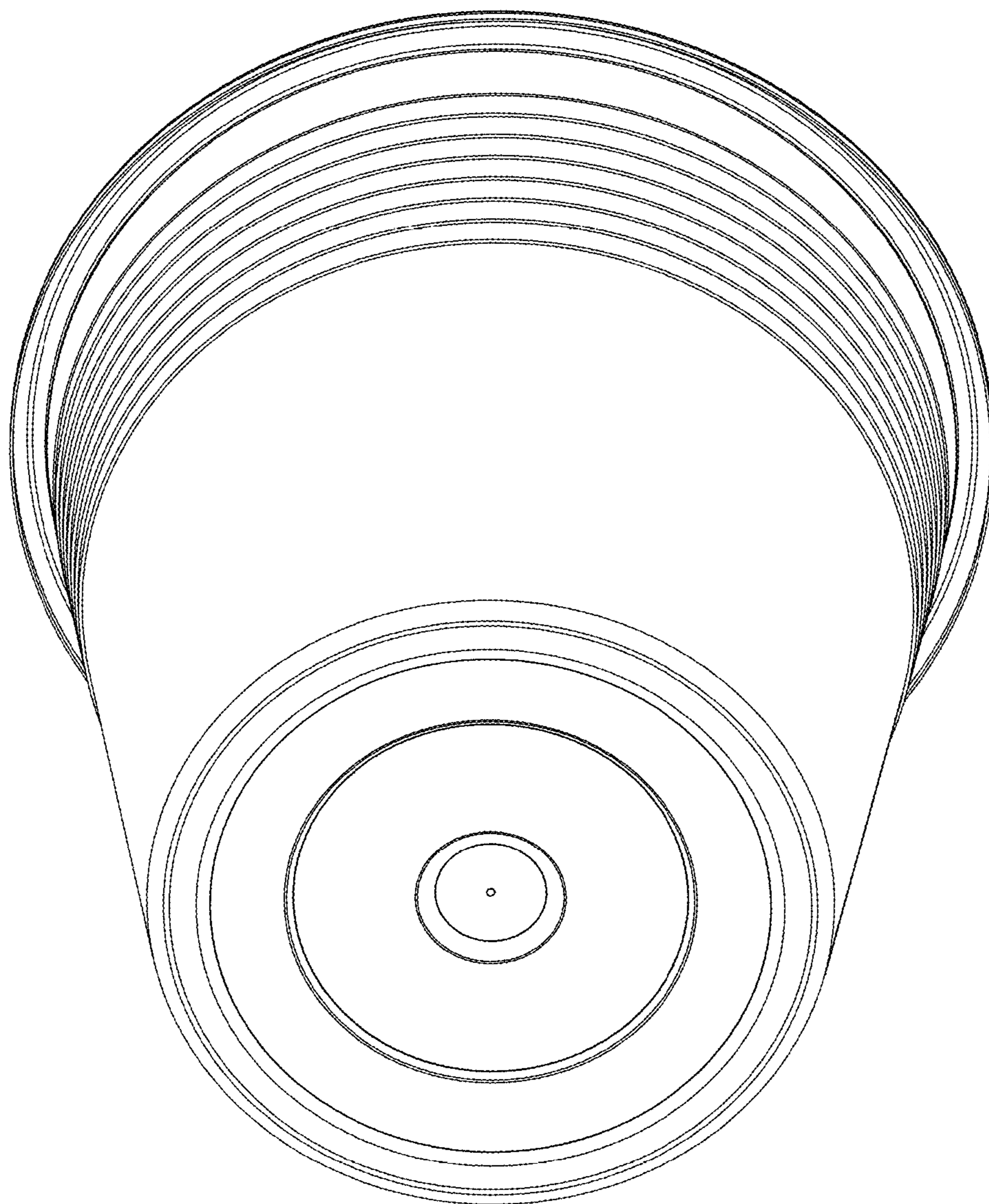


FIG. 7