



US00D771339S

(12) **United States Design Patent** (10) **Patent No.:** **US D771,339 S**
Luburic (45) **Date of Patent:** **** Nov. 8, 2016**

- (54) **ROUND PAIL**
- (71) Applicant: **BWAY Corporation**, Atlanta, GA (US)
- (72) Inventor: **Frano Luburic**, Costa Mesa, CA (US)
- (73) Assignee: **BWAY Corporation**, Atlanta, GA (US)
- (**) Term: **15 Years**
- (21) Appl. No.: **29/541,042**
- (22) Filed: **Sep. 30, 2015**
- (51) **LOC (10) Cl.** **07-07**
- (52) **U.S. Cl.**
USPC **D32/53**
- (58) **Field of Classification Search**
USPC D32/53-54; 15/260-264, 120.1;
220/904, 669; D7/523, 532
CPC A47L 13/58; B65D 1/265
See application file for complete search history.

D683,510 S *	5/2013	Schick	D32/53
2004/0060942 A1	4/2004	Luburic		
2005/0189360 A1	9/2005	Loucks et al.		
2007/0084870 A1	4/2007	Luburic et al.		

FOREIGN PATENT DOCUMENTS

CA	2286285 A1	10/1998
CA	2441380 A1	3/2004
WO	0187718 A2	11/2001
WO	2007047543 A9	6/2008
WO	2008074908 A1	6/2008

* cited by examiner

Primary Examiner — Robin V Webster

(74) *Attorney, Agent, or Firm* — Morris, Manning & Martin, LLP; Daniel E. Sineway, Esq.; Bryan D. Stewart, Esq.

(57) **CLAIM**

The ornamental design for a round pail, as shown and described.

DESCRIPTION

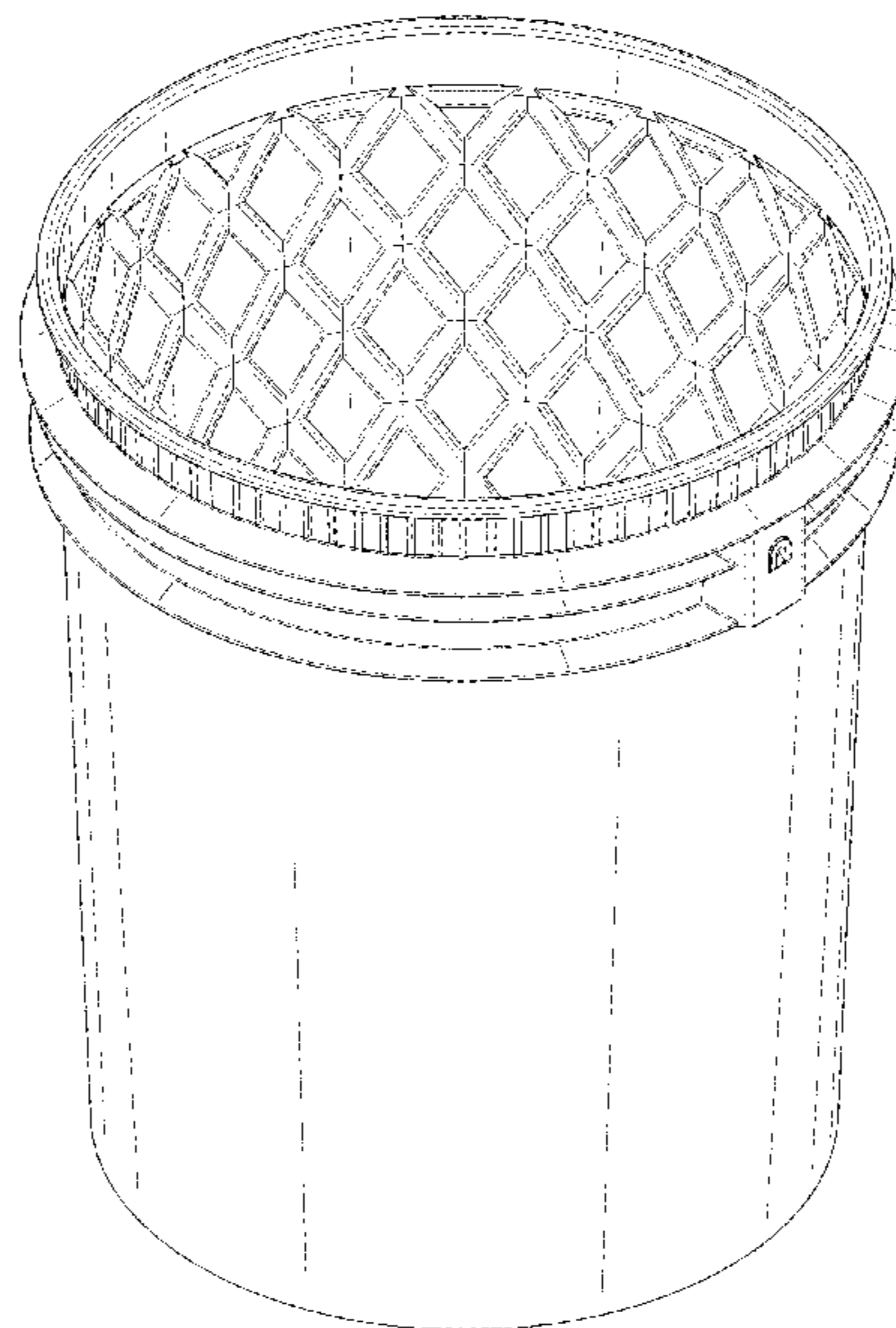
FIG. 1 is a perspective view of a round pail, of the present disclosure;
 FIG. 2 is a front view of a round pail, of the present disclosure;
 FIG. 3 is a side view of a round pail, of the present disclosure;
 FIG. 4 is a back view of a round pail, of the present disclosure;
 FIG. 5 is a side view of a round pail, of the present disclosure;
 FIG. 6 is a top view of a round pail, of the present disclosure;
 FIG. 7 is a bottom view of a round pail, of the present disclosure; and,
 FIG. 8 is a cross-sectional view of the round pail taken along line 8-8 in FIG. 6.

(56) **References Cited**

U.S. PATENT DOCUMENTS

3,362,576 A	1/1968	Beesley et al.	
4,359,168 A	11/1982	Triadu	
4,375,265 A	3/1983	Wetering et al.	
4,446,969 A	5/1984	Tyler	
D278,561 S *	4/1985	Anderson D32/53
4,844,405 A	7/1989	Sorensen	
5,292,024 A	3/1994	Koefeldt et al.	
5,305,911 A	4/1994	Aylward	
5,850,935 A	12/1998	Luburic et al.	
5,873,484 A	2/1999	Clute et al.	
6,701,200 B1	3/2004	Lukis et al.	
7,077,989 B2	7/2006	Brown et al.	
7,207,457 B2	4/2007	Schwarz	
D590,561 S *	4/2009	Baltz D32/53
D626,303 S *	10/2010	Loverbos D32/53
8,256,640 B2 *	9/2012	Luburic B29C 45/37 220/669

1 Claim, 8 Drawing Sheets



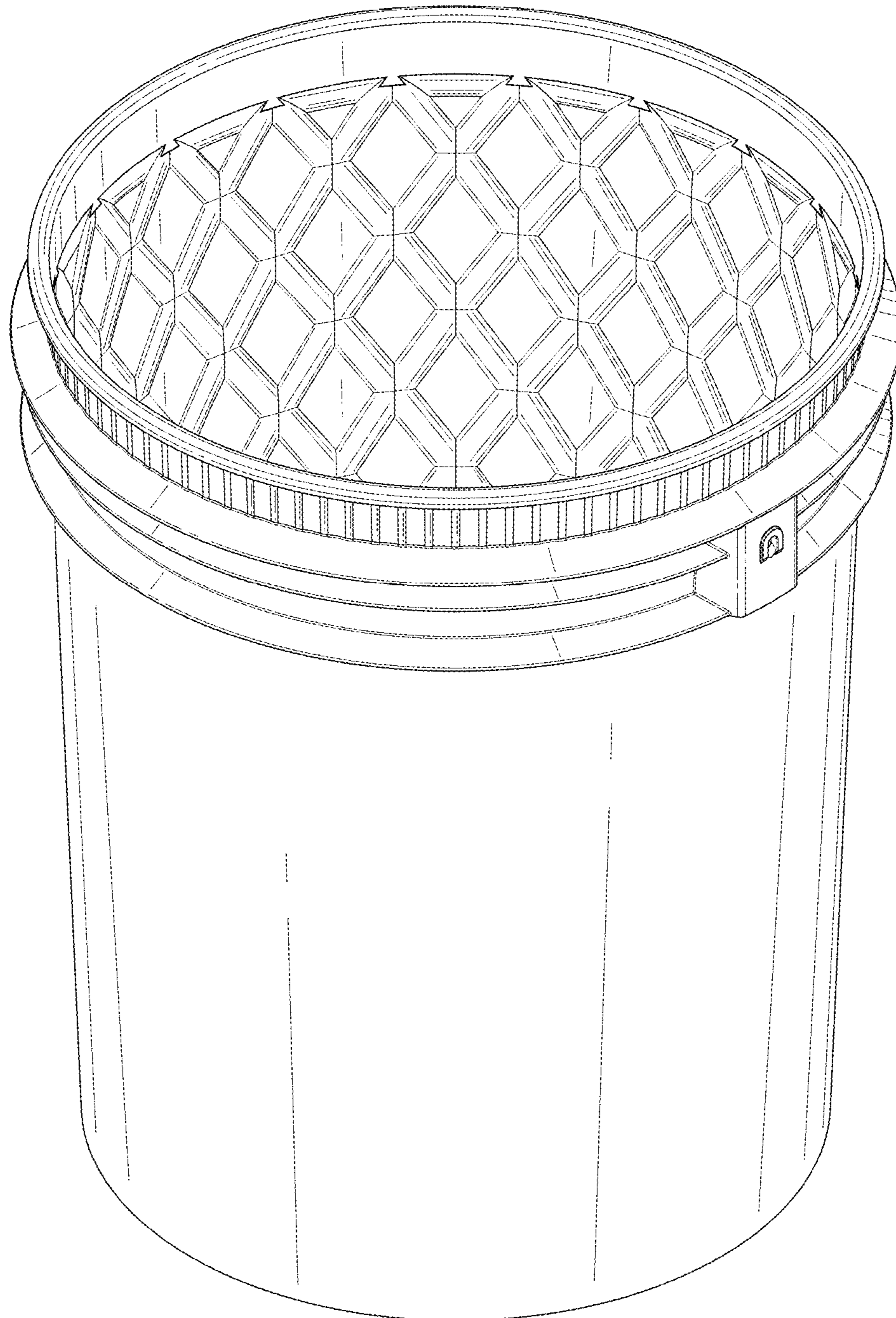


FIG. 1

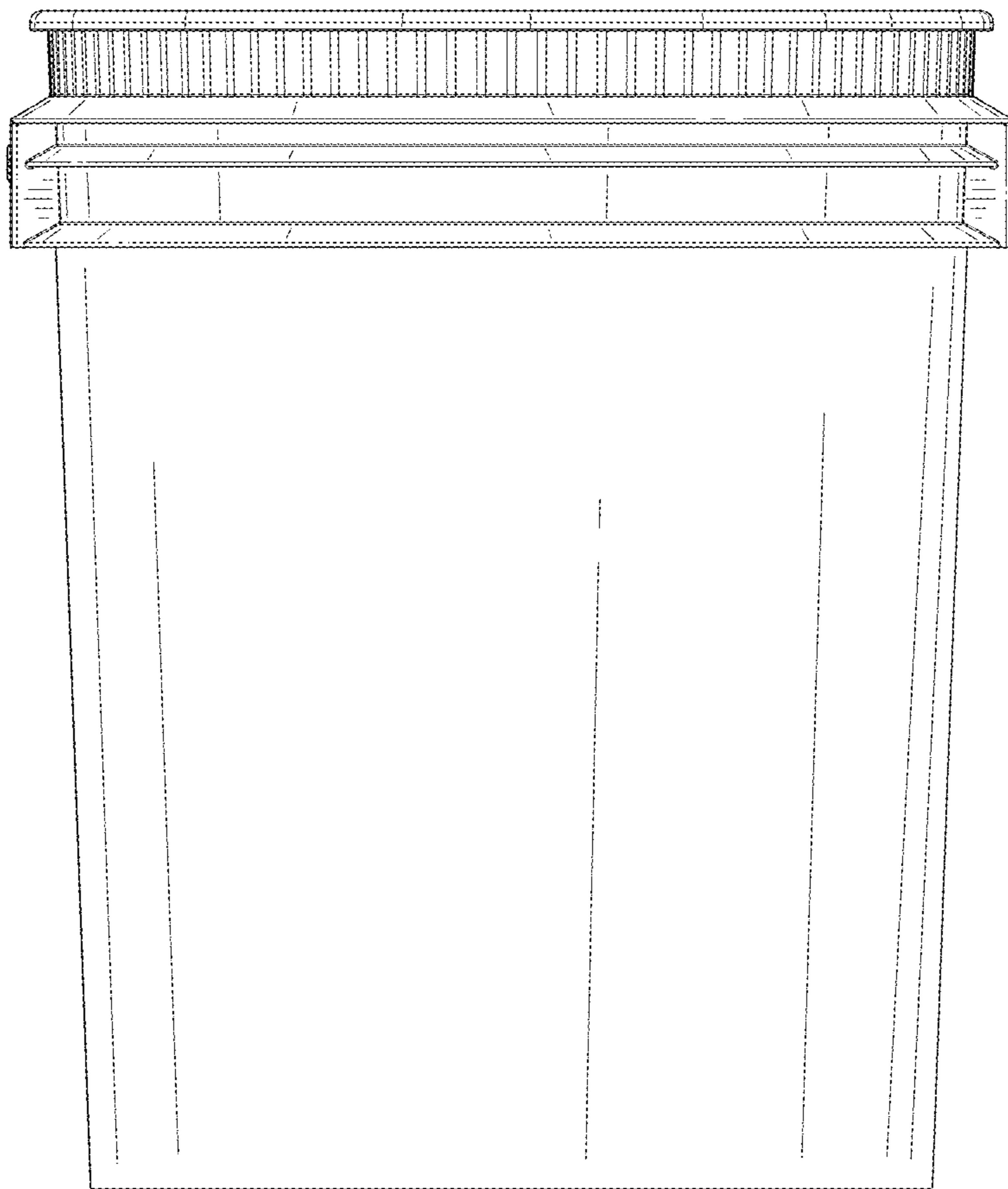


FIG. 2

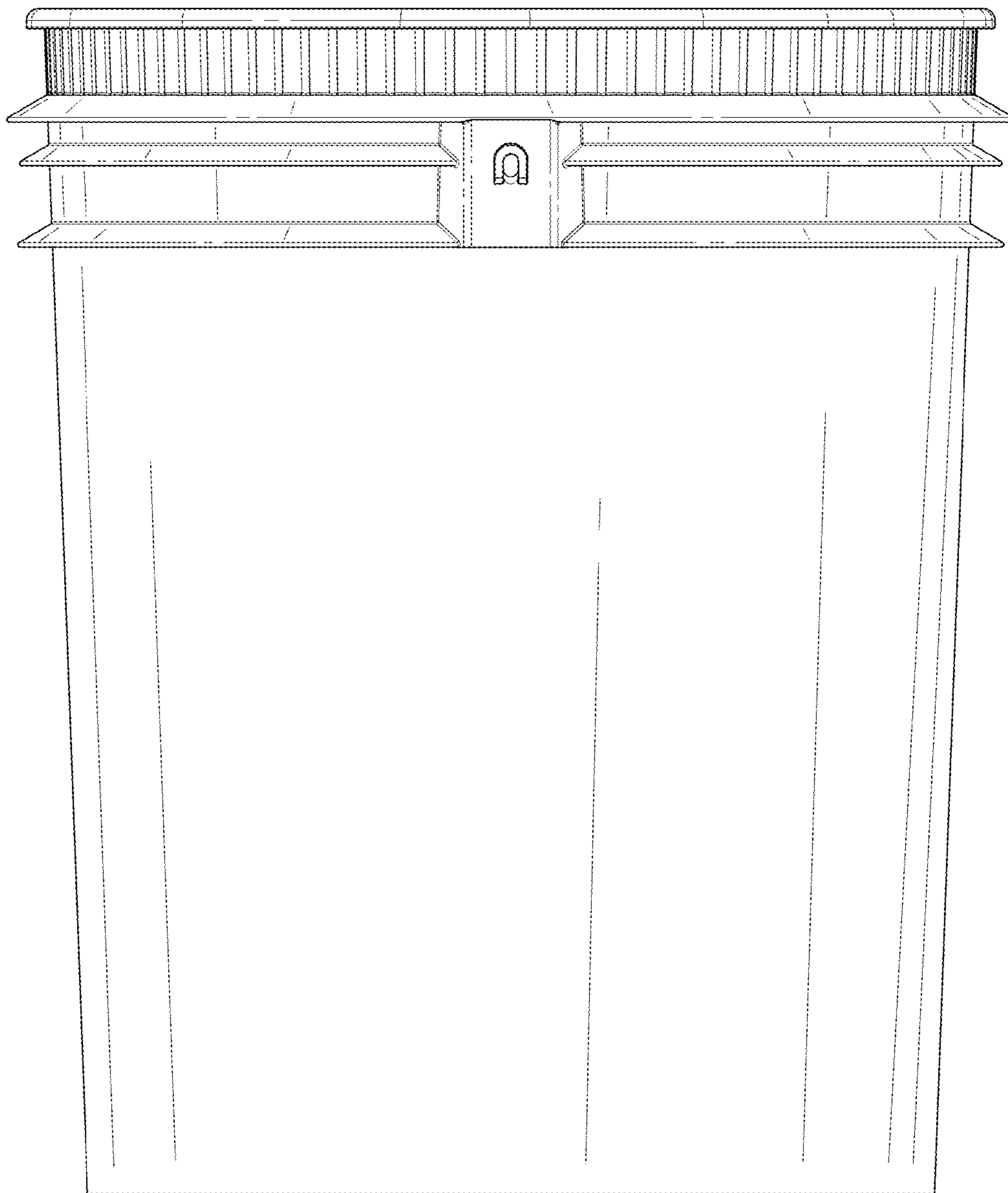


FIG. 3

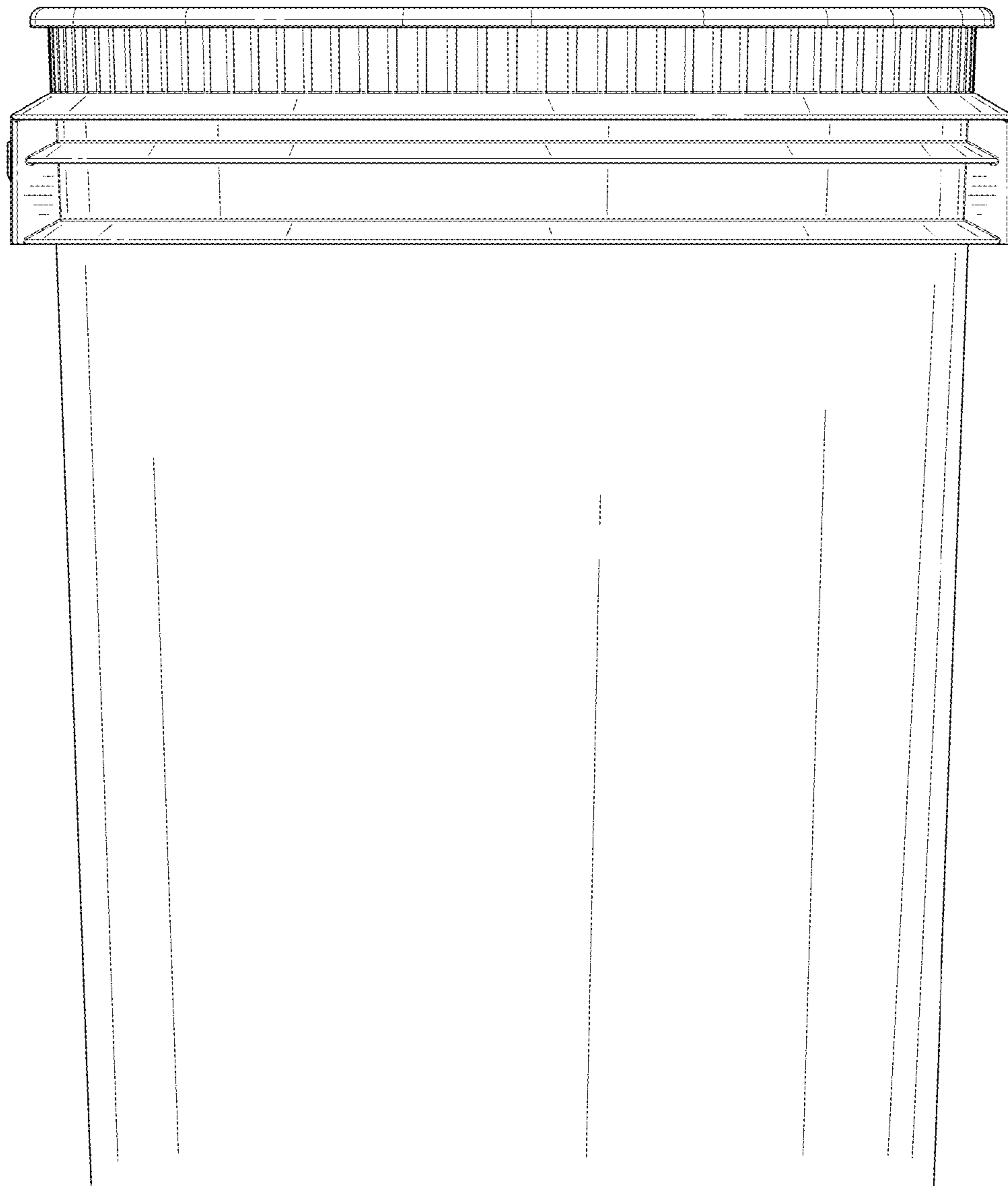


FIG. 4

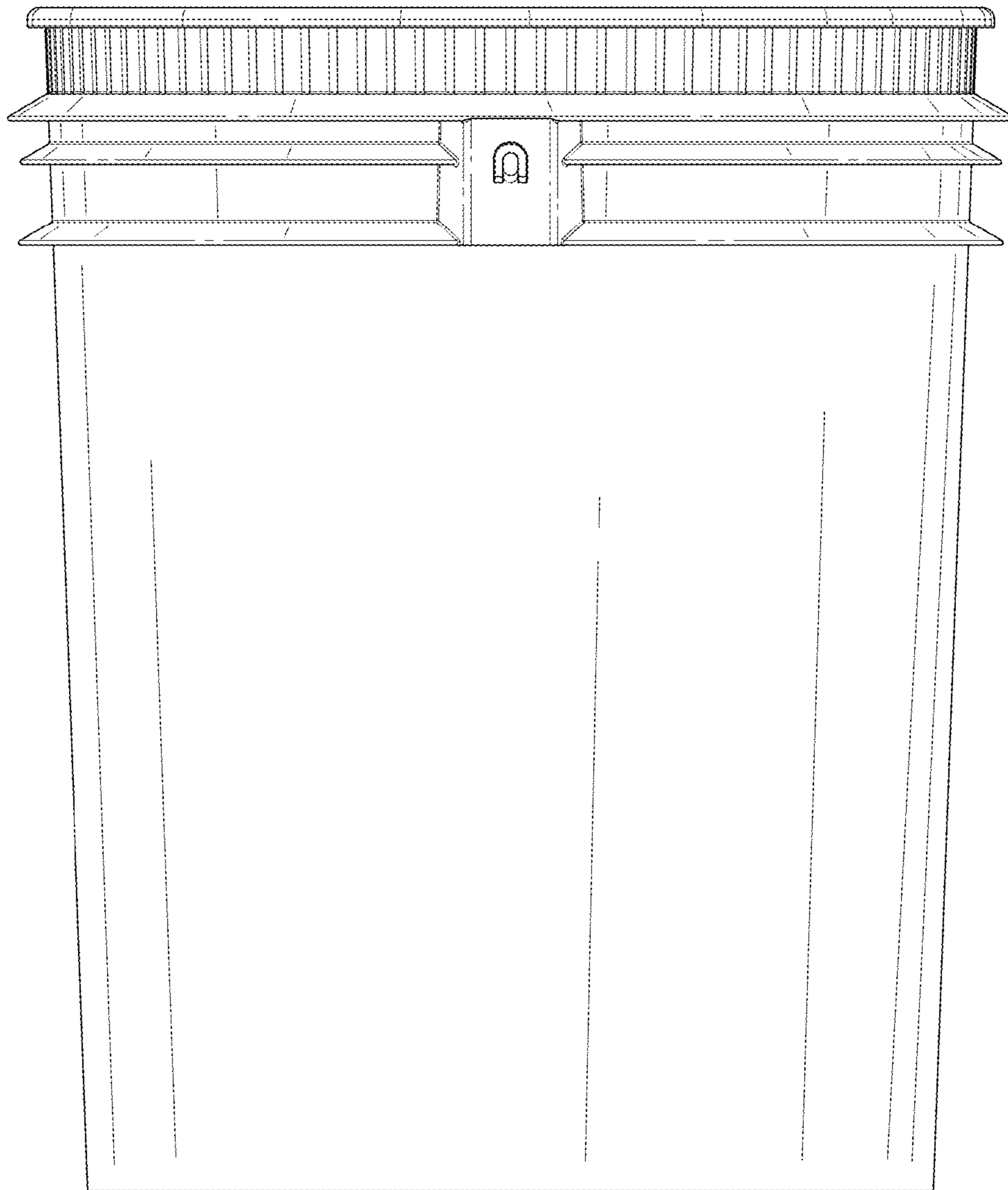


FIG. 5

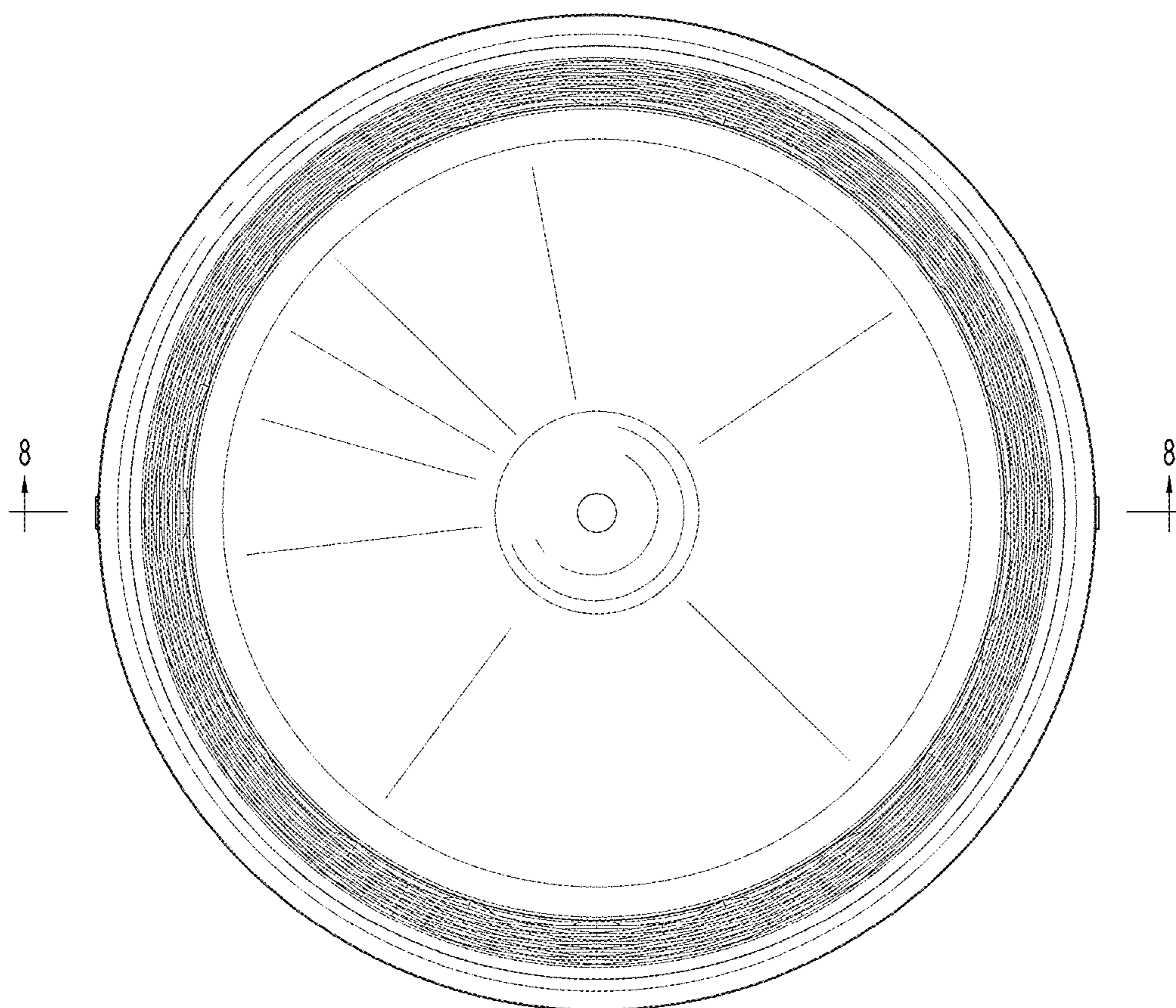


FIG. 6

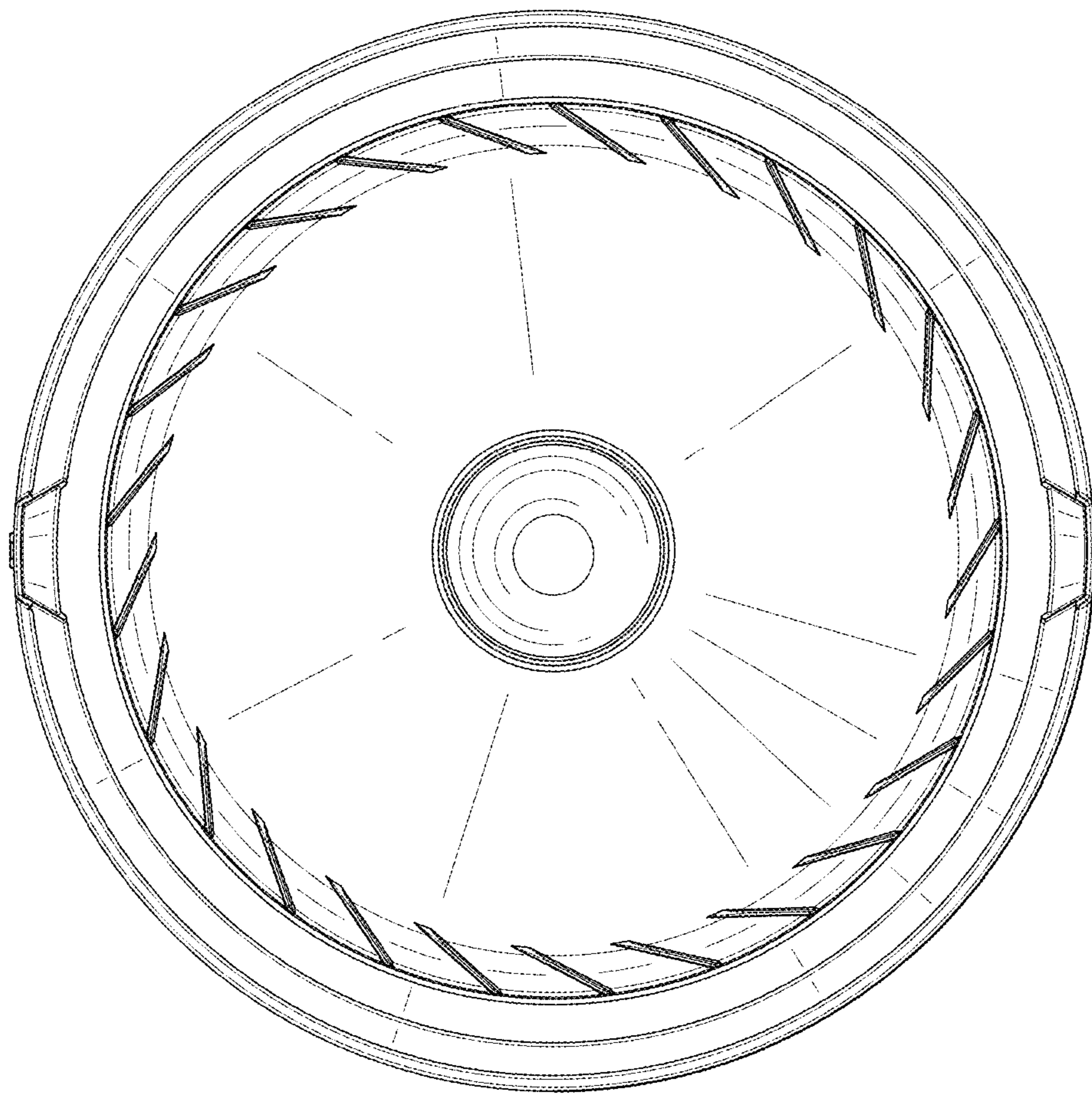


FIG. 7

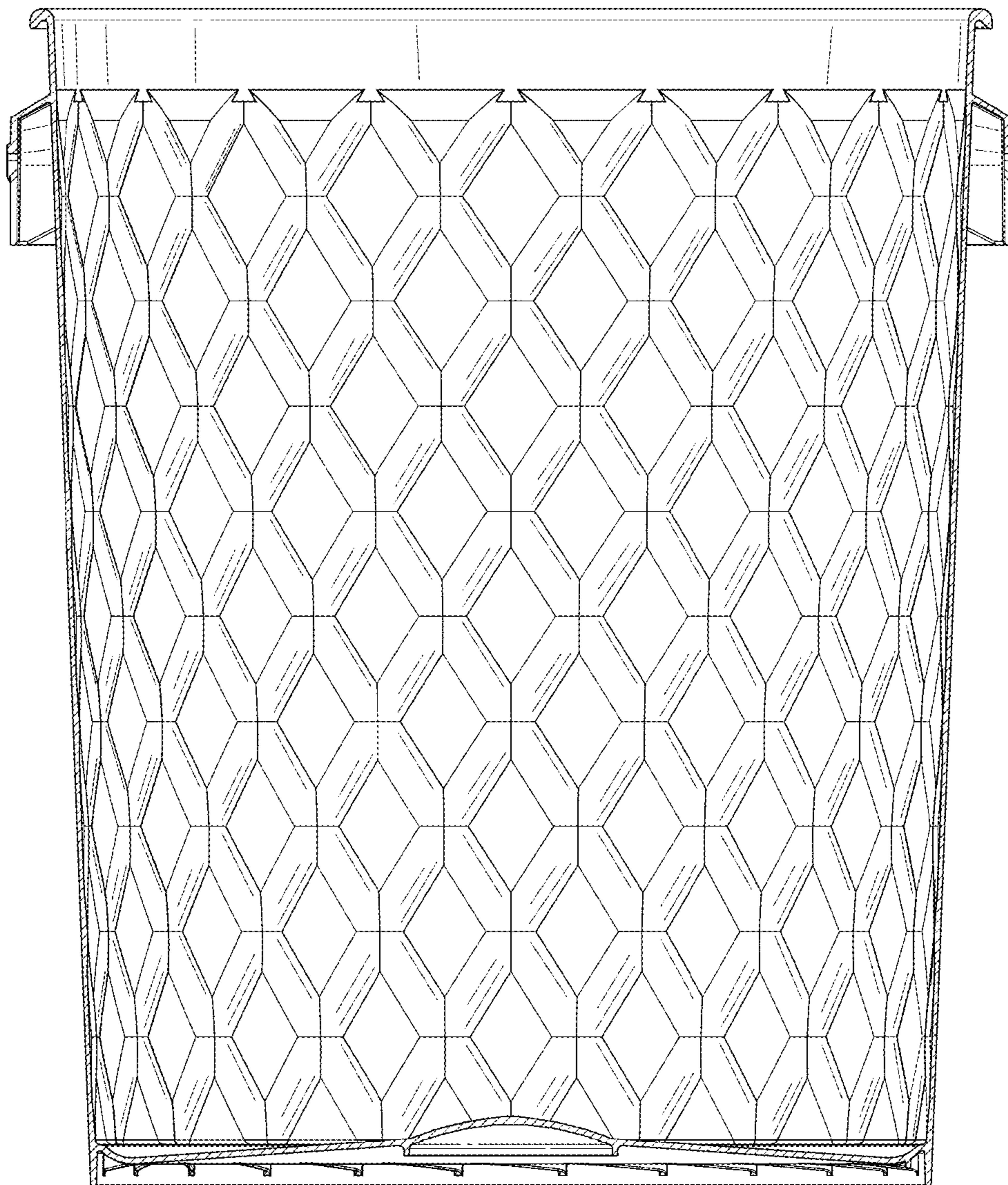


FIG. 8