



US00D771338S

(12) **United States Design Patent** (10) **Patent No.:** **US D771,338 S**
Smith et al. (45) **Date of Patent:** **** Nov. 8, 2016**

(54) **FLOOR SQUEEGEE DEVICE**

(71) Applicant: **Unger Marketing International, LLC**,
Bridgeport, CT (US)

(72) Inventors: **Robert F. Smith**, Waterbury, CT (US);
James M. Buckley, New Hartford, CT
(US); **Paul Adams**, Monroe, CT (US)

(73) Assignee: **UNGER MARKETING
INTERNATIONAL, LLC**, Bridgeport,
CT (US)

(**) Term: **14 Years**

(21) Appl. No.: **29/504,564**

(22) Filed: **Oct. 7, 2014**

(51) **LOC (10) Cl.** **04-01**

(52) **U.S. Cl.**
USPC **D32/41**

(58) **Field of Classification Search**

USPC D32/40-42, 46-49; D8/33, 47, 90, 93;
D4/118, 199; D24/146-147

CPC A47L 1/06; A47L 13/24; A47L 15/0081
See application file for complete search history.

(56) **References Cited**

U.S. PATENT DOCUMENTS

1,497,933	A	6/1924	Oberti	
1,720,630	A	11/1925	Eiermann	
1,918,611	A	7/1933	Oberti	
1,964,134	A	6/1934	Oberti	
2,043,775	A *	6/1936	Rosen	A47L 1/06 15/245
2,088,777	A *	8/1937	Dennis	A47L 1/06 15/245
2,112,462	A *	3/1938	Hawrylasz	A47L 1/06 15/245

(Continued)

FOREIGN PATENT DOCUMENTS

FR	015212-001	*	2/2002
GB	1058666	*	10/1989
GB	3009481	*	3/2003

OTHER PUBLICATIONS

Amazon.com: Ettore 11112 Rust Proof Aluminum Squeegee,
online, review date Jul. 10, 2013, http://www.amazon.com/Ettore-11112-Proof-Aluminum-Squeegee/dp/B000BQW5SS/ref=sr_1_103?ie=UTF8&qid=1461702142&sr=8-103&keywords=squeegee,
[site visited Apr. 26, 2016 4:23:58 PM].*

(Continued)

Primary Examiner — John Windmuller

Assistant Examiner — John R Yeh

(74) *Attorney, Agent, or Firm* — Ohlandt, Greeley,
Ruggiero & Perle, LLP

(57) **CLAIM**

The ornamental design for the floor squeegee device, as
shown and described.

DESCRIPTION

FIG. 1 is a front perspective view of a floor squeegee device
according to the present disclosure;

FIG. 2 is another front perspective view of the floor squee-
gee device of FIG. 1;

FIG. 3 is a rear perspective view of the floor squeegee device
of FIG. 2;

FIG. 4 is a front view of the floor squeegee device of FIG.
2;

FIG. 5 is a rear view of the floor squeegee device of FIG. 2;
FIG. 6 is a first side view of the floor squeegee device of
FIG. 2;

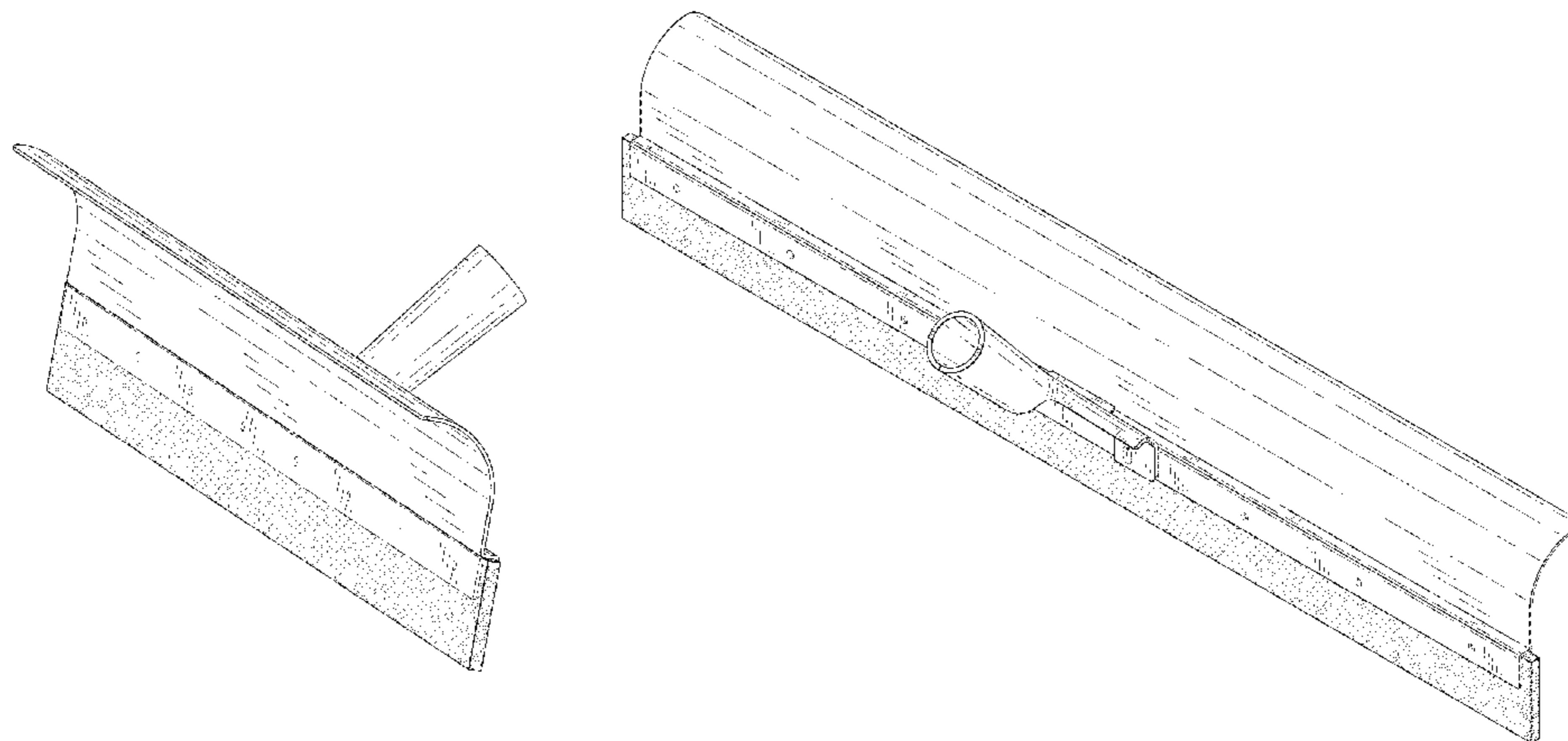
FIG. 7 is a second, opposite side view of the floor squeegee
device of FIG. 2;

FIG. 8 is a top view of the floor squeegee device of FIG. 2;
and,

FIG. 9 is a bottom view of the floor squeegee device of FIG.
2.

The broken lines represent portions of the floor squeegee
device that form no part of the claimed design.

1 Claim, 6 Drawing Sheets



(56)

References Cited

U.S. PATENT DOCUMENTS

2,179,223 A * 11/1939 Siemund A47L 1/06
15/245
2,197,927 A * 4/1940 Ehrlich A47L 1/06
15/245
2,440,099 A * 4/1948 Kind A47L 1/06
15/146
D173,462 S * 11/1954 Schmoller D32/41
2,905,960 A * 9/1959 Ward A47L 13/11
15/245
3,013,290 A * 12/1961 Soito A47L 1/06
15/245
3,089,173 A * 5/1963 Hunt A47L 13/11
15/245
3,457,579 A * 7/1969 Shea A47L 1/06
15/121
D222,703 S * 12/1971 Richardson D32/41
3,787,921 A 1/1974 Feldmann
4,941,228 A * 7/1990 Belanger A47L 13/11
15/121
5,117,530 A 6/1992 Rank
5,347,676 A 9/1994 Saitoh
5,528,793 A 6/1996 Schbot
D392,854 S * 3/1998 Gregory D8/13
6,243,911 B1 6/2001 Varner
D464,182 S * 10/2002 Vosbikian D32/41
D473,028 S * 4/2003 Hay D32/41
D480,853 S * 10/2003 Snell D32/41

6,668,418 B2 12/2003 Bastien
D517,758 S * 3/2006 Hay D32/41
7,185,388 B2 3/2007 Sander
D602,666 S * 10/2009 Antonello D32/41
7,654,591 B2 2/2010 Marble
D686,892 S * 7/2013 Cagle D8/10
2003/0044220 A1 * 3/2003 Vito A47L 1/08
401/266
2005/0193516 A1 * 9/2005 Hughes A47L 13/08
15/236.01
2007/0020039 A1 * 1/2007 Demuth A47L 13/11
401/266
2016/0095492 A1 * 4/2016 Smith A47L 13/11
15/245

OTHER PUBLICATIONS

Amazon.com: Ettore 17008 All-Purpose Squeegee, online, review date Oct. 30, 2013, http://www.amazon.com/Ettore-17008-All-Purpose-Squeegee-8-Inch/dp/B000BQU0CQ/ref=sr_1_42?ie=UTF8&qid=1461701348&sr=8-42&keywords=squeegee, [site visited Apr. 26, 2016 4:10:40 PM].*
Amazon.com: Made in USA!!! Cleret iDO 2 Shower Squeegee, online, review date Jan. 24, 2014, http://www.amazon.com/Cleret-Shower-Squeegee-Replaceable-Cleaning/dp/B00015GDRI/ref=sr_1_22?ie=UTF8&qid=1461701027&sr=8-22&keywords=squeegee, [site visited Apr. 26, 2016 4:05:27 PM].*

* cited by examiner

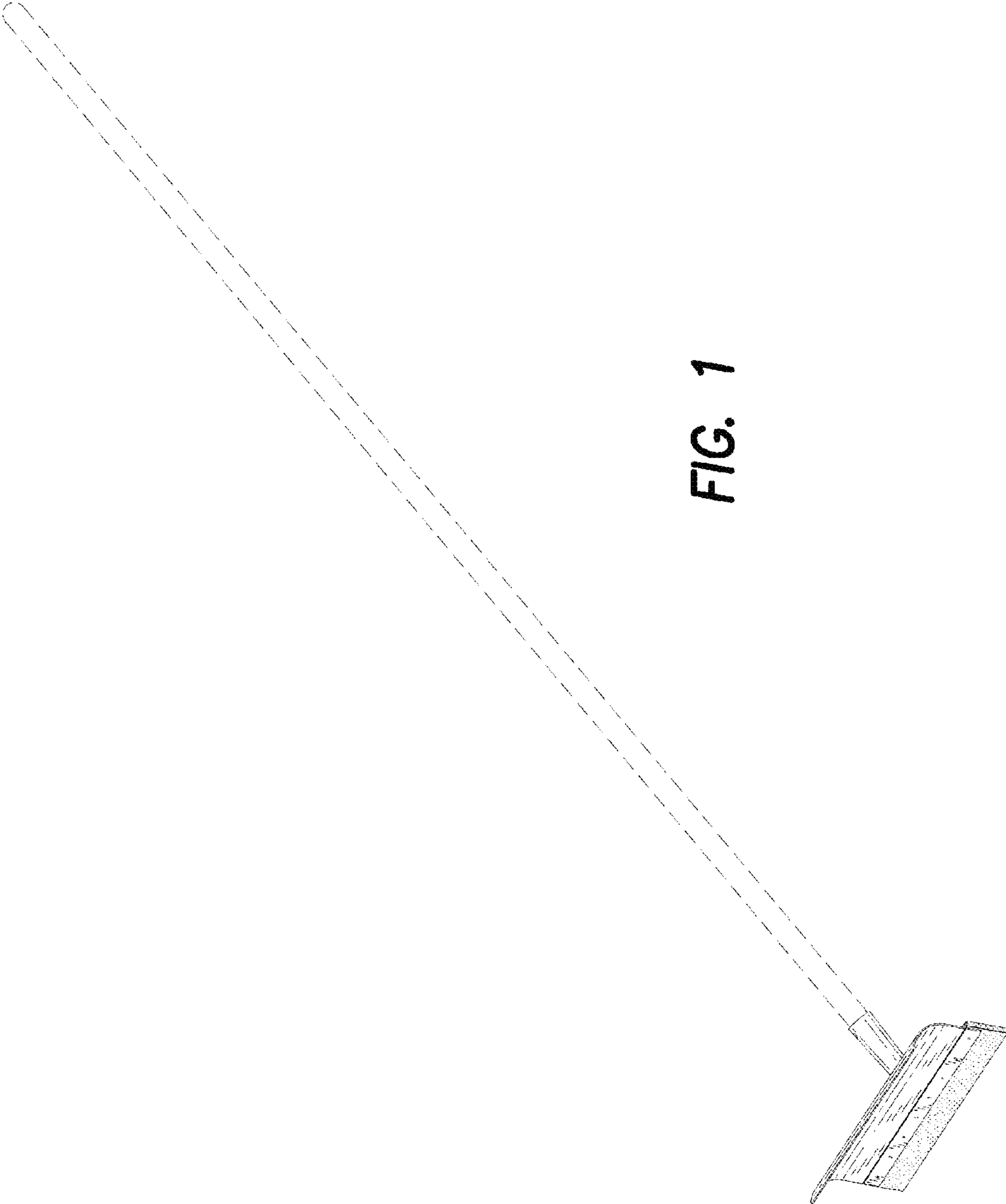


FIG. 1

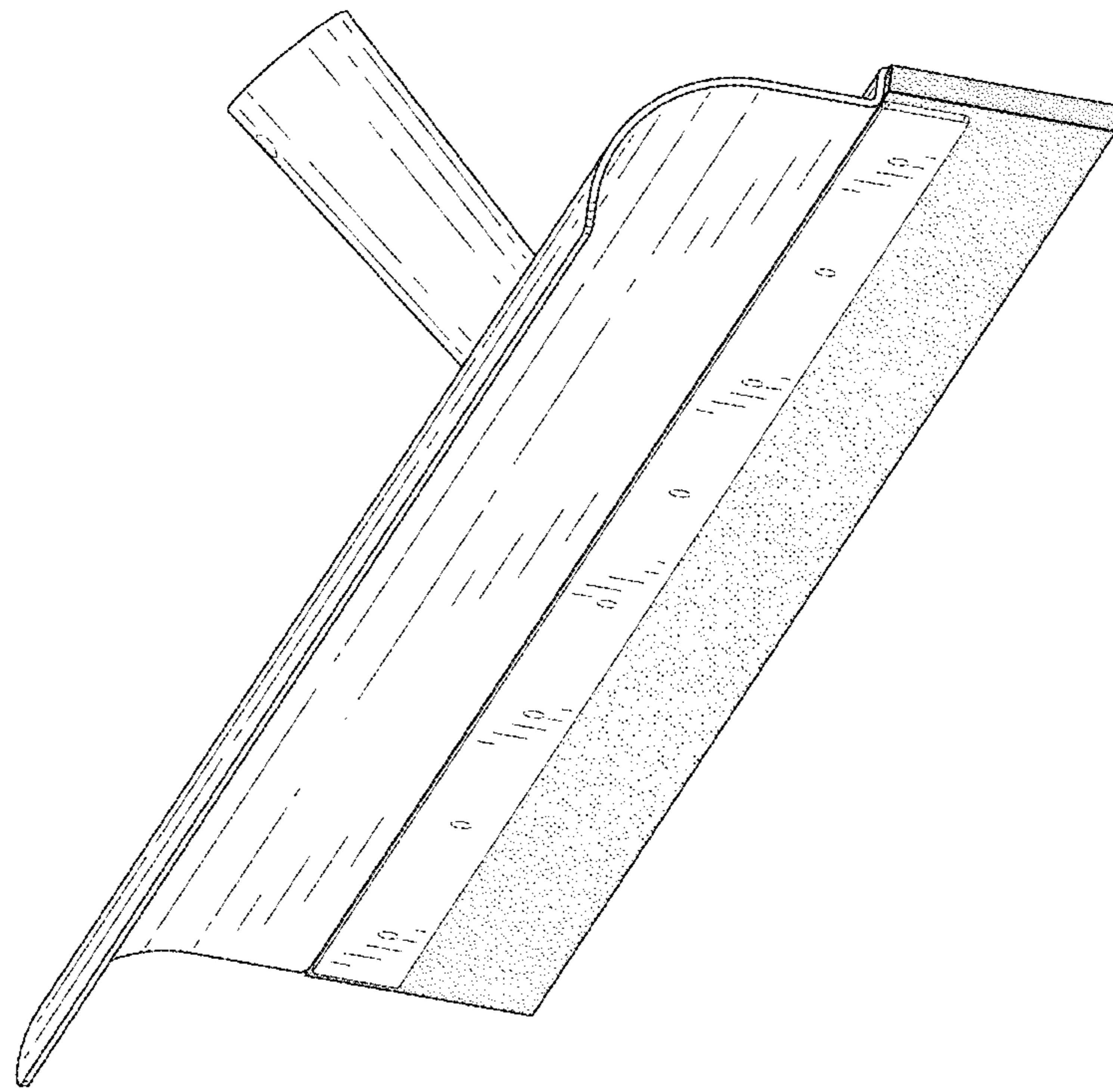


FIG. 2

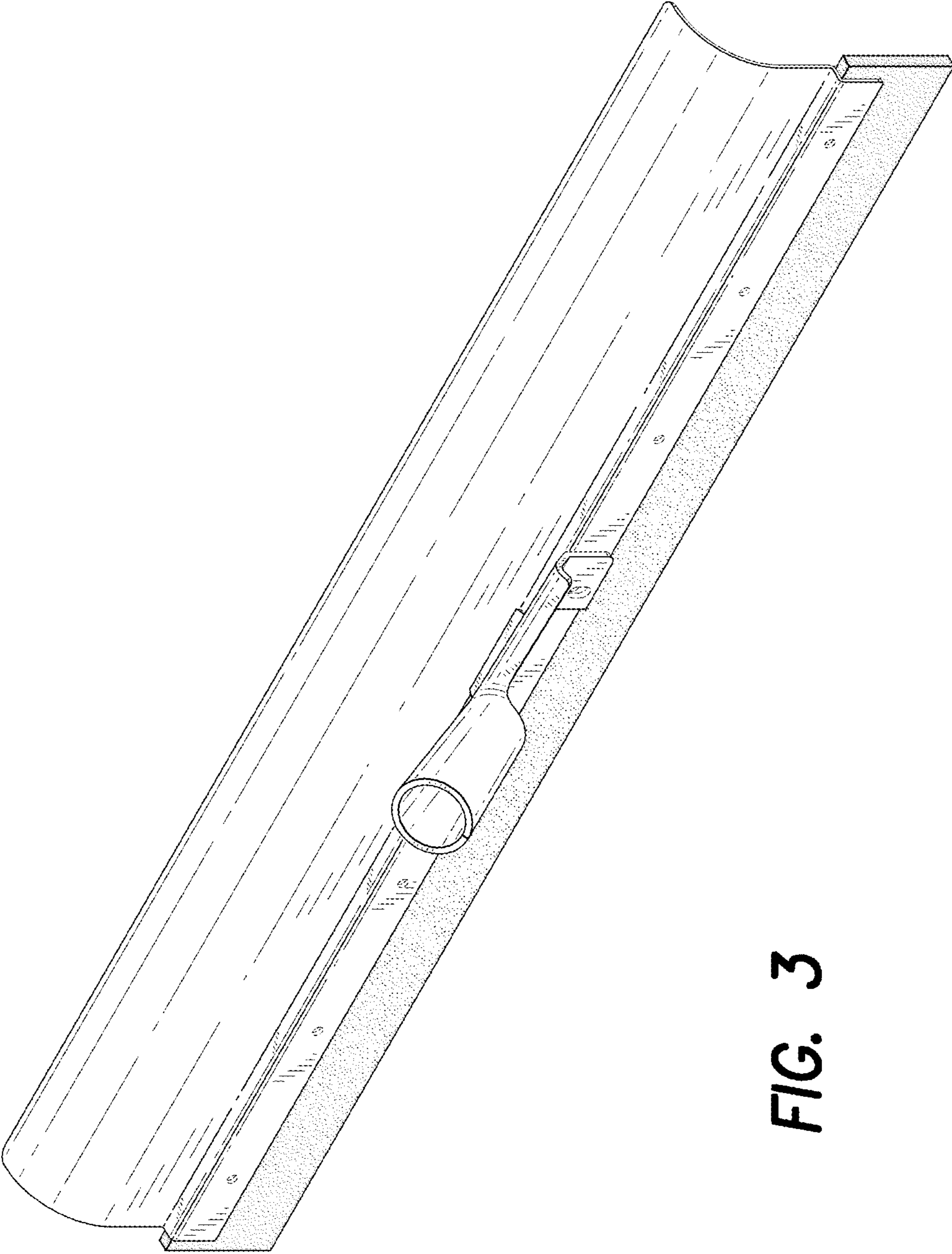


FIG. 3

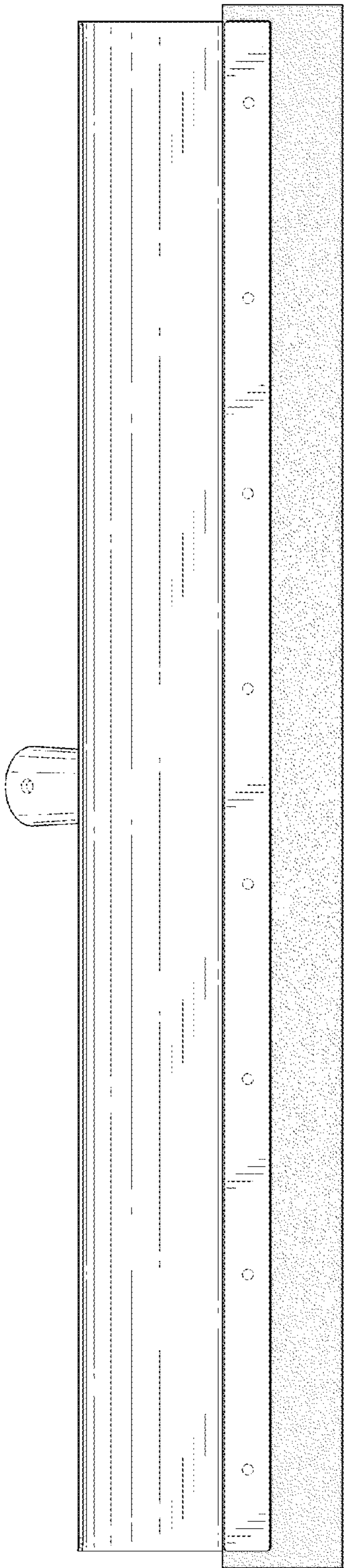


FIG. 4

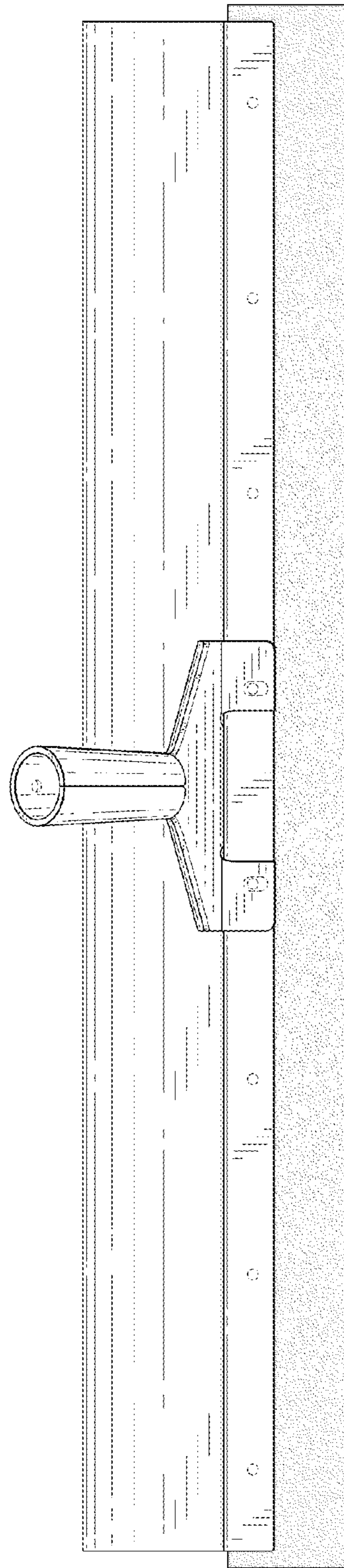


FIG. 5

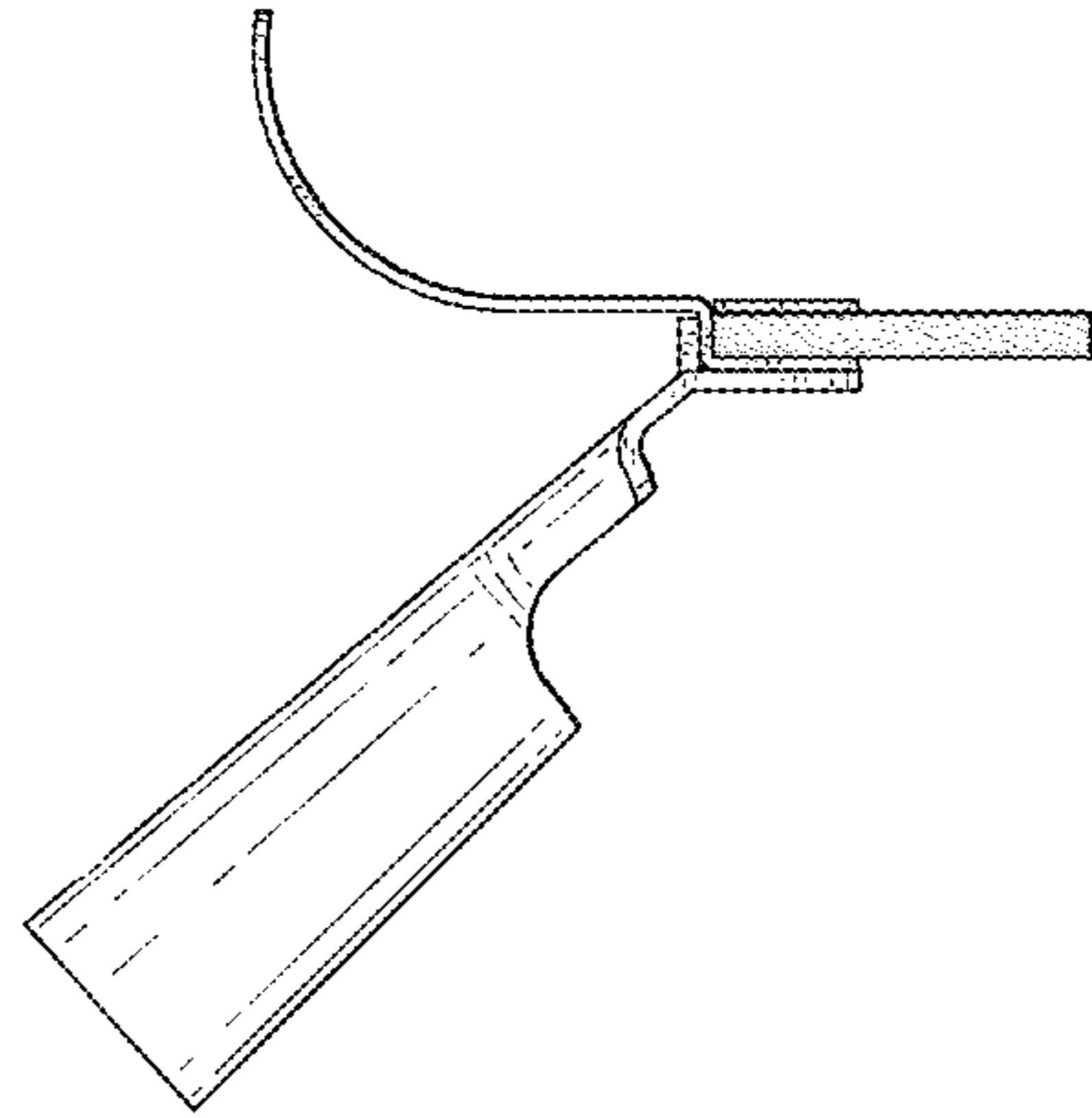


FIG. 7

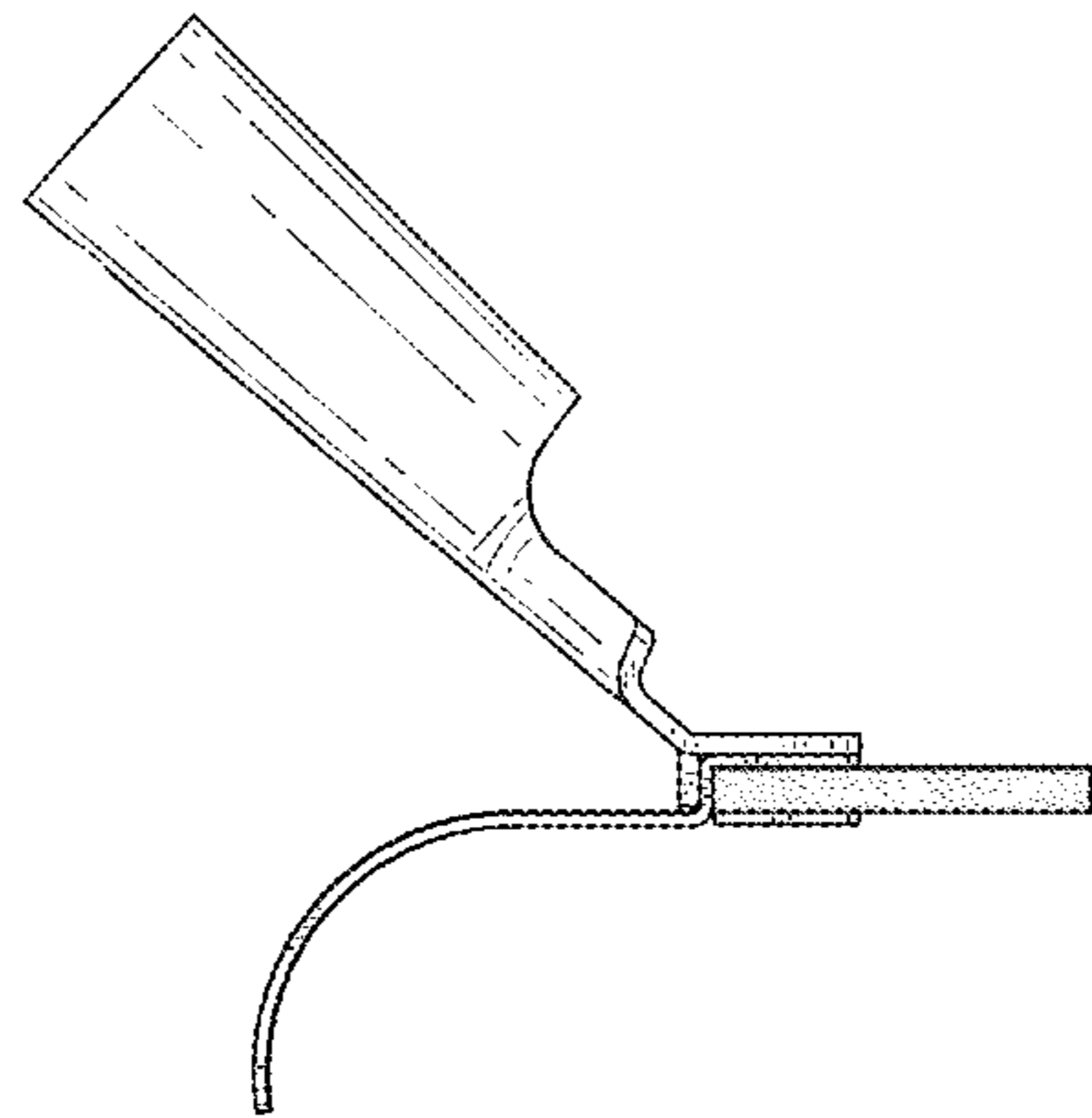


FIG. 6

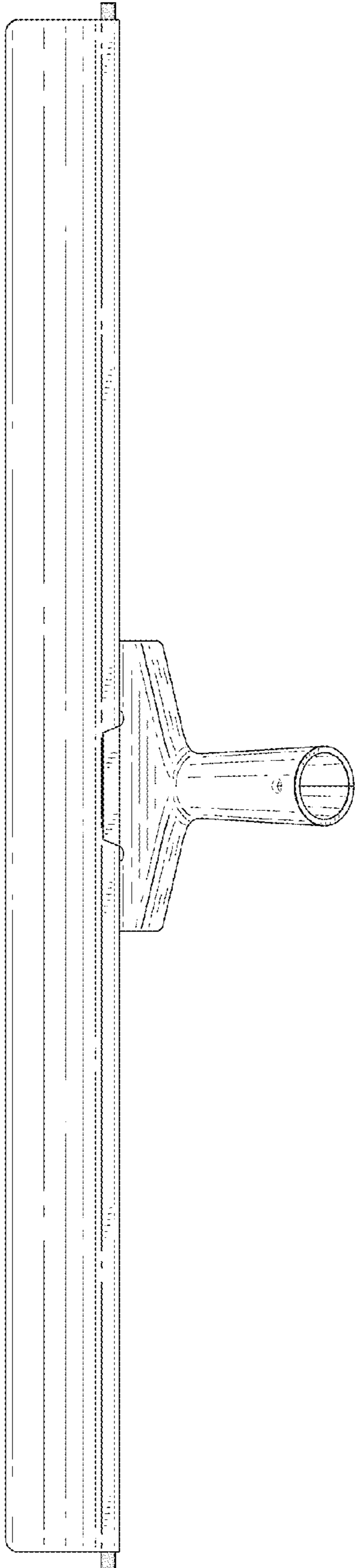


FIG. 8

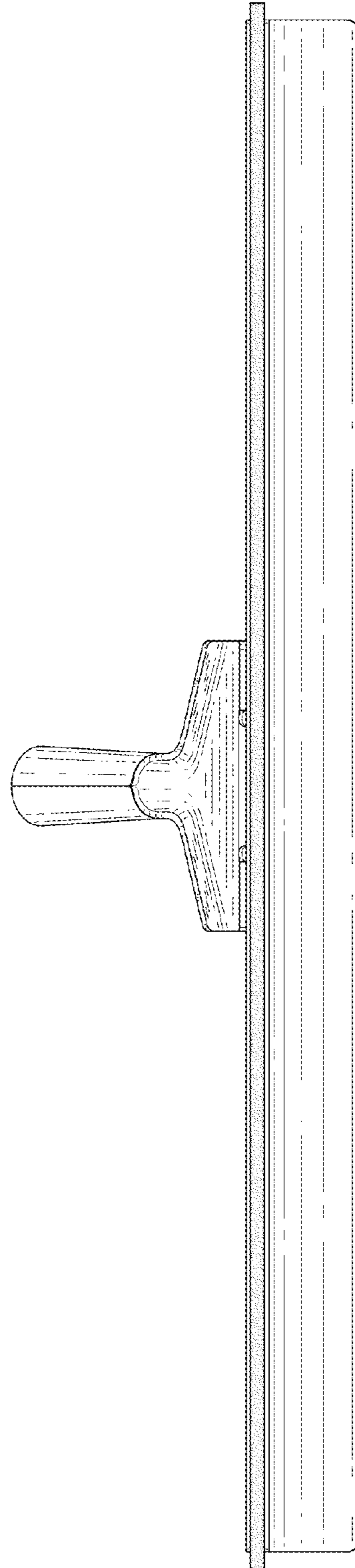


FIG. 9