



US00D771336S

(12) **United States Design Patent**
Kang et al.

(10) **Patent No.:** **US D771,336 S**
(45) **Date of Patent:** **** Nov. 8, 2016**

(54) **INNER COVER FOR DOOR OF WASHING MACHINE**

(71) Applicant: **Samsung Electronics Co., Ltd.**,
Suwon-si (KR)

(72) Inventors: **Yoon Jong Kang**, Seoul (KR); **Kisang Yoon**, Daejeon (KR)

(73) Assignee: **Samsung Electronics Co., Ltd.**,
Suwon-si (KR)

(**) Term: **15 Years**

(21) Appl. No.: **29/537,009**

(22) Filed: **Aug. 21, 2015**

(30) **Foreign Application Priority Data**

Jul. 7, 2015 (KR) 30-2015-0034188

(51) **LOC (10) Cl.** **15-05**

(52) **U.S. Cl.**
USPC **D32/25**

(58) **Field of Classification Search**
USPC D32/1-6, 8, 10, 25, 28; 312/228, 228.1,
312/236, 294, 326; 220/810; 68/3 R, 5 R,
68/235 R, 196, 212; 34/108, 130, 131, 132,
34/595, 596, 597; 8/137
CPC ... A47B 96/00; B29C 45/0053; D06F 33/02;
D06F 37/28; D06F 39/022; D06F 39/14;
D06F 58/00
See application file for complete search history.

(56) **References Cited**

U.S. PATENT DOCUMENTS

D506,045 S *	6/2005	No	D32/25
D515,260 S *	2/2006	Ha	D32/25
D690,479 S *	9/2013	Geyer	D32/25
D713,610 S *	9/2014	Geyer	D32/25
D714,502 S *	9/2014	Jeon	D32/25
D731,126 S *	6/2015	Ha	D32/6
9,145,635 B2 *	9/2015	Woo	D06F 37/28
D746,006 S *	12/2015	Ha	D32/25

2014/0157676 A1 *	6/2014	Kim	D06F 39/14 49/394
2014/0191643 A1 *	7/2014	Lee	D06F 39/14 312/326
2015/0008807 A1 *	1/2015	Kim	D06F 39/14 312/228
2015/0128663 A1 *	5/2015	Lee	F16L 3/003 68/3 R
2015/0292135 A1 *	10/2015	Wishney	D06F 37/10 68/139
2015/0315740 A1 *	11/2015	Buso	D06F 39/14 312/329
2016/0160432 A1 *	6/2016	Ashrafzadeh	D06F 58/04 8/137

* cited by examiner

Primary Examiner — Rosemary K Tarcza
Assistant Examiner — Yolanda Robinson
(74) *Attorney, Agent, or Firm* — NSIP Law

(57) **CLAIM**

We claim the ornamental design for an inner cover for door of washing machine, as shown and described.

DESCRIPTION

FIG. 1 is a front perspective view of an inner cover for door of washing machine showing our new design;
FIG. 2 is a front view thereof;
FIG. 3 is a rear view thereof;
FIG. 4 is a left-side view thereof;
FIG. 5 is a right-side view thereof;
FIG. 6 is a top view thereof;
FIG. 7 is a bottom view thereof;
FIG. 8 is another front perspective view thereof;
FIG. 9 is a rear perspective view thereof;
FIG. 10 is an enlarged view of the encircled portion 10 in FIG. 2; and,
FIG. 11 is another rear perspective view of the inner cover for door of washing machine in which a washing machine is provided in dot-dash broken lines to illustrate an example environment.

The short dash-dash broken line in the figures show unclaimed portions of the inner cover for door of washing machine, the dot-dash broken line in FIG. 11 is for illustrating environmental structure, and the dot-dot-dash broken line encircling portions of the claimed design in FIGS. 2 and 10 is for illustrating enlargements; the broken lines form no part of the claimed design.

1 Claim, 11 Drawing Sheets

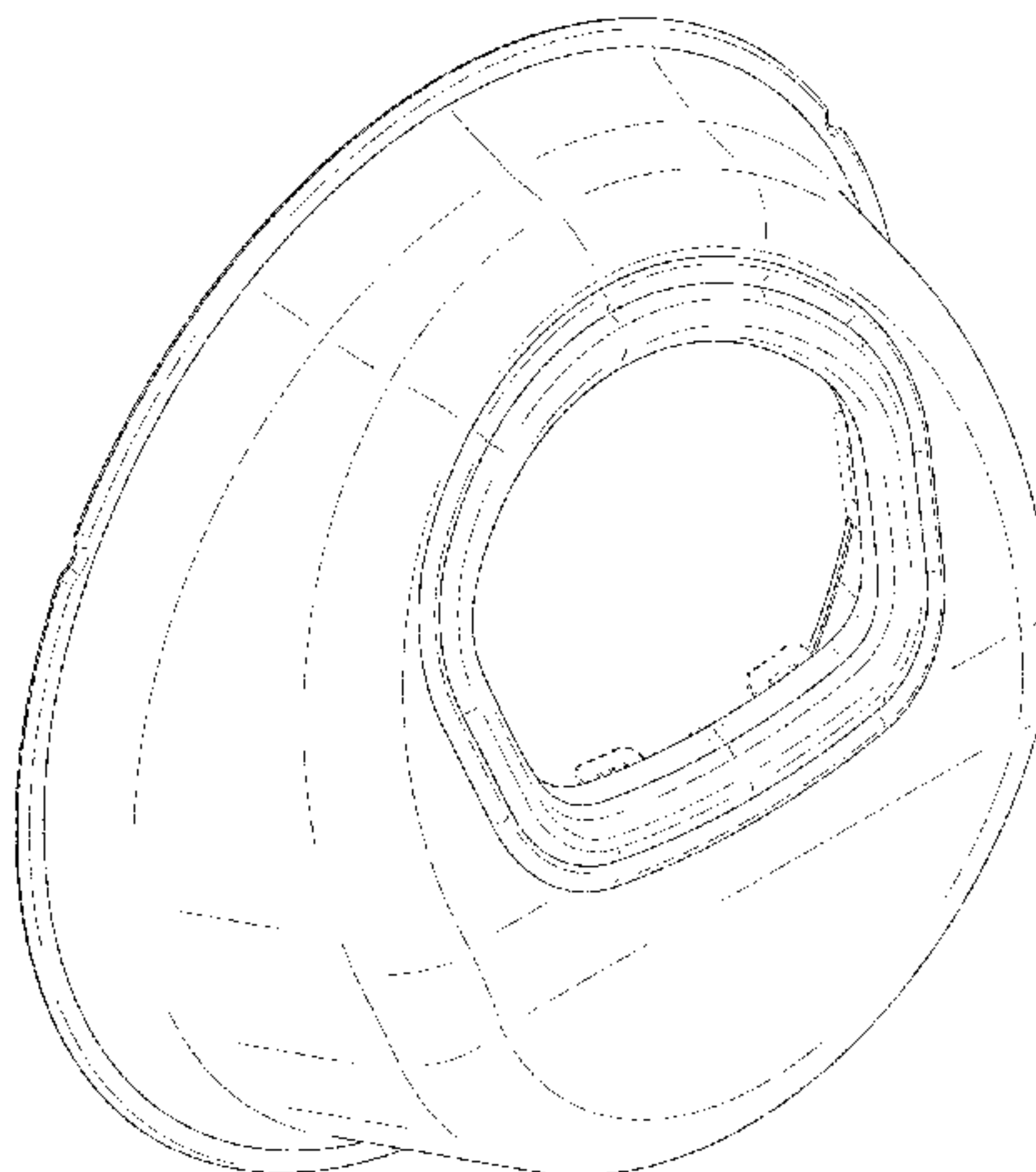
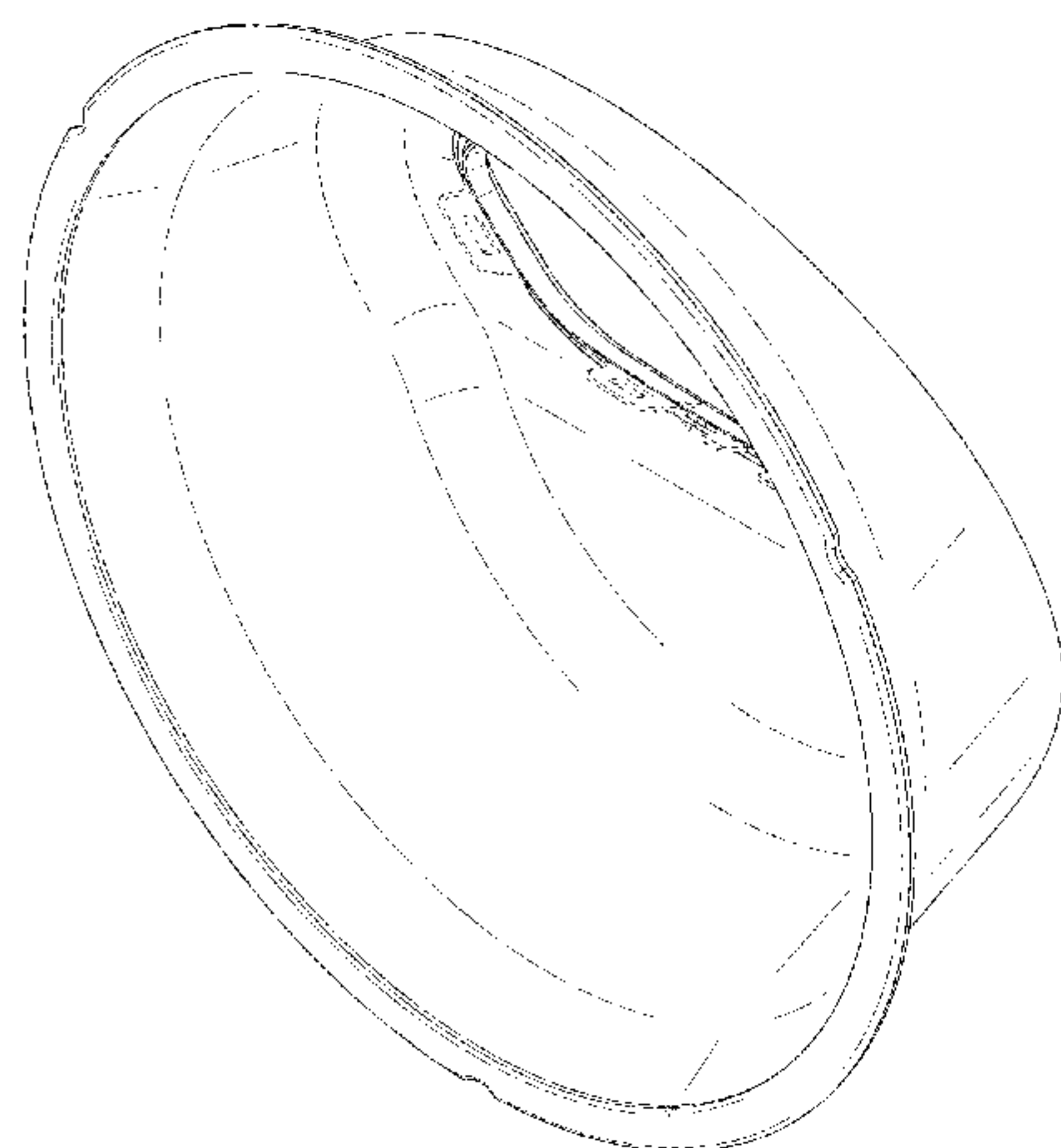


FIG. 1

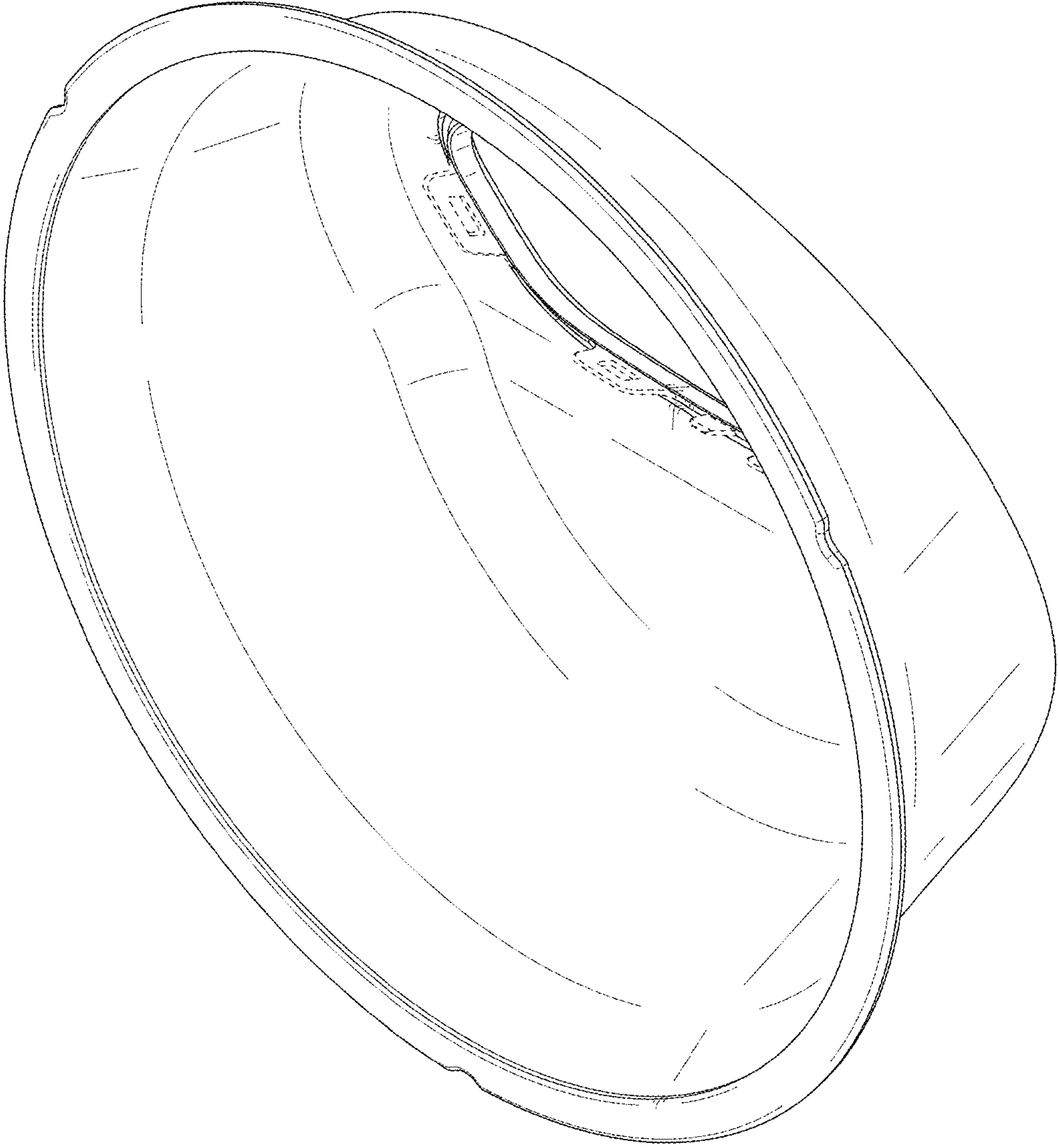


FIG. 2

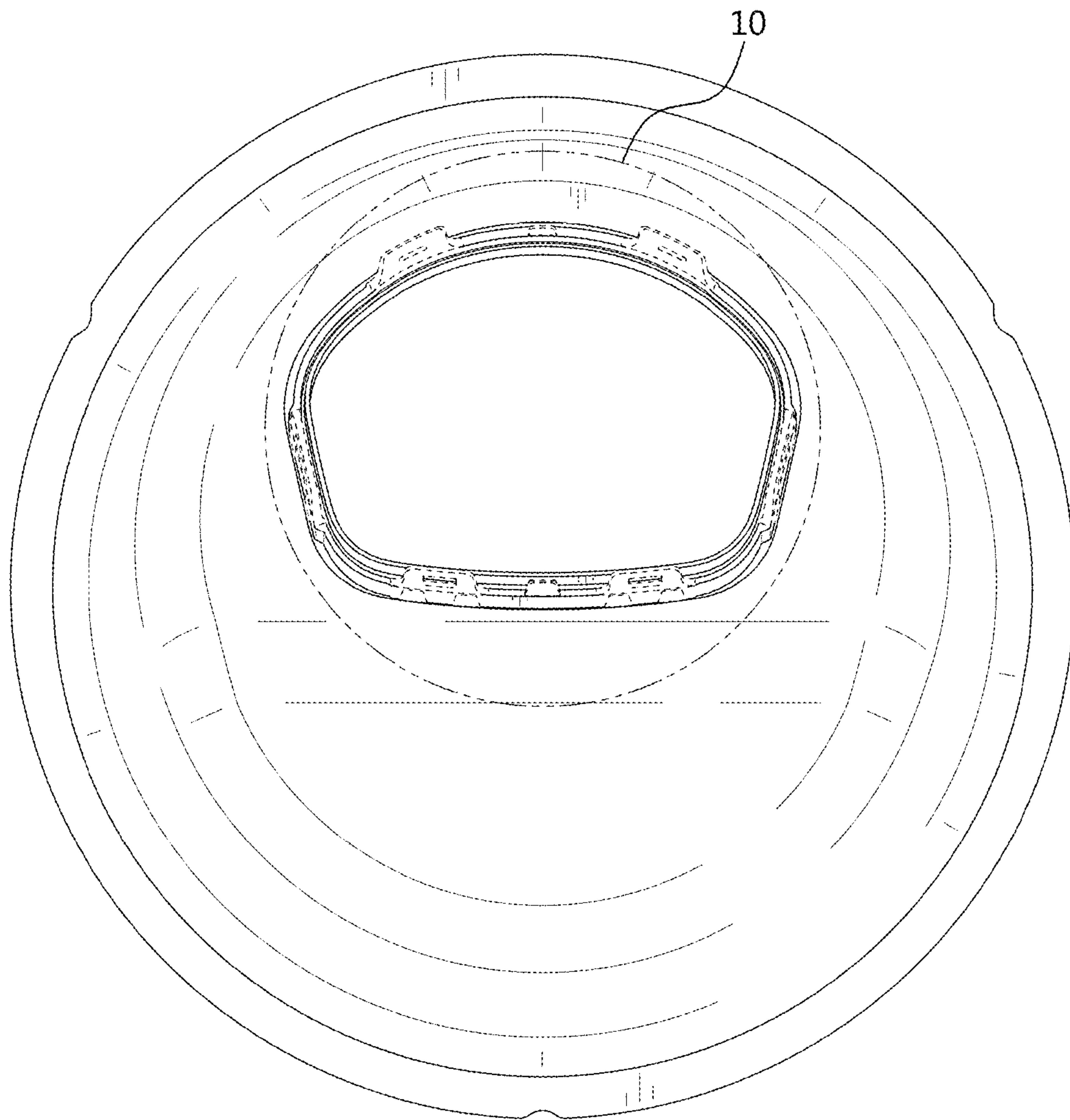


FIG. 3

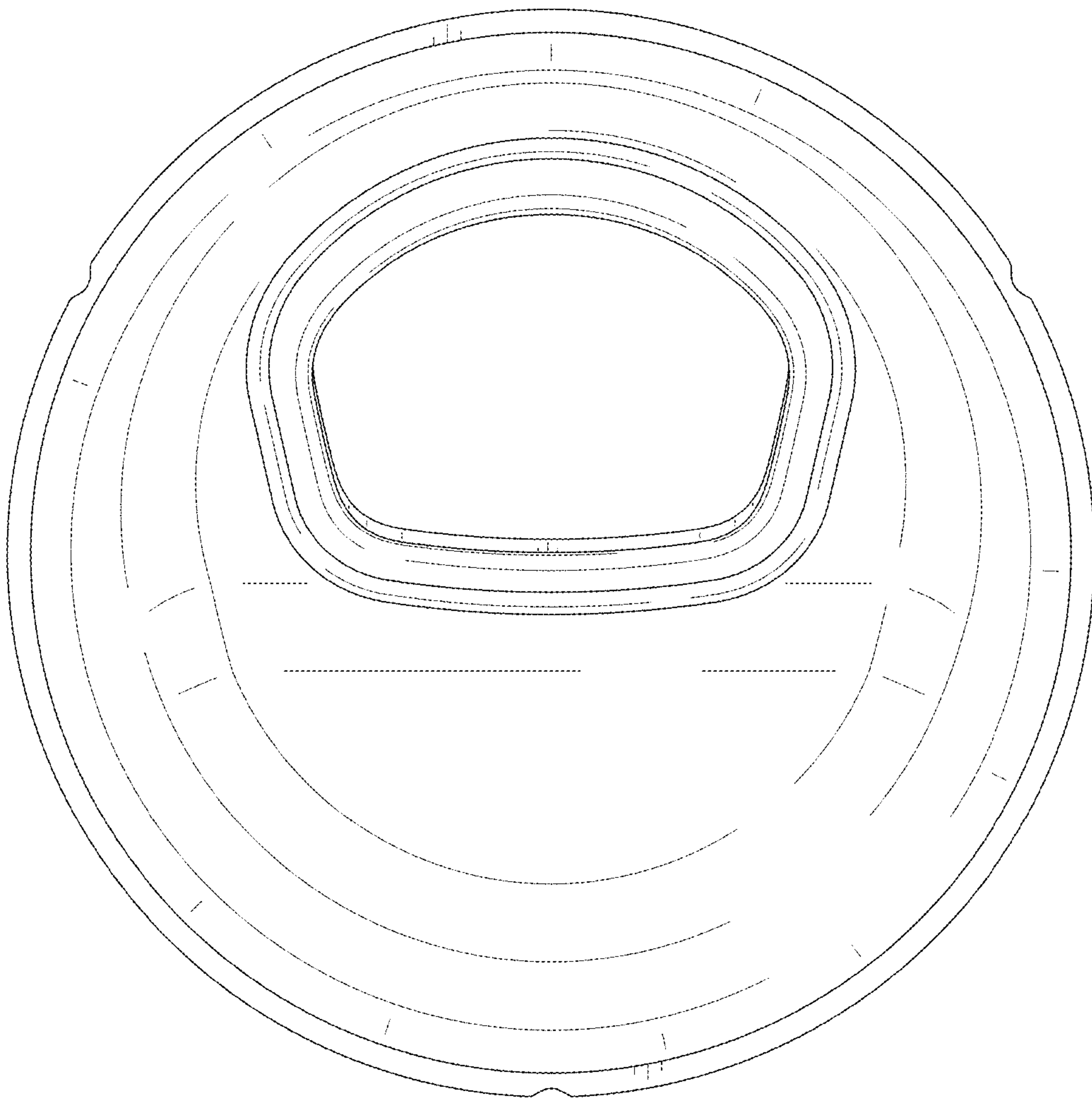


FIG. 4

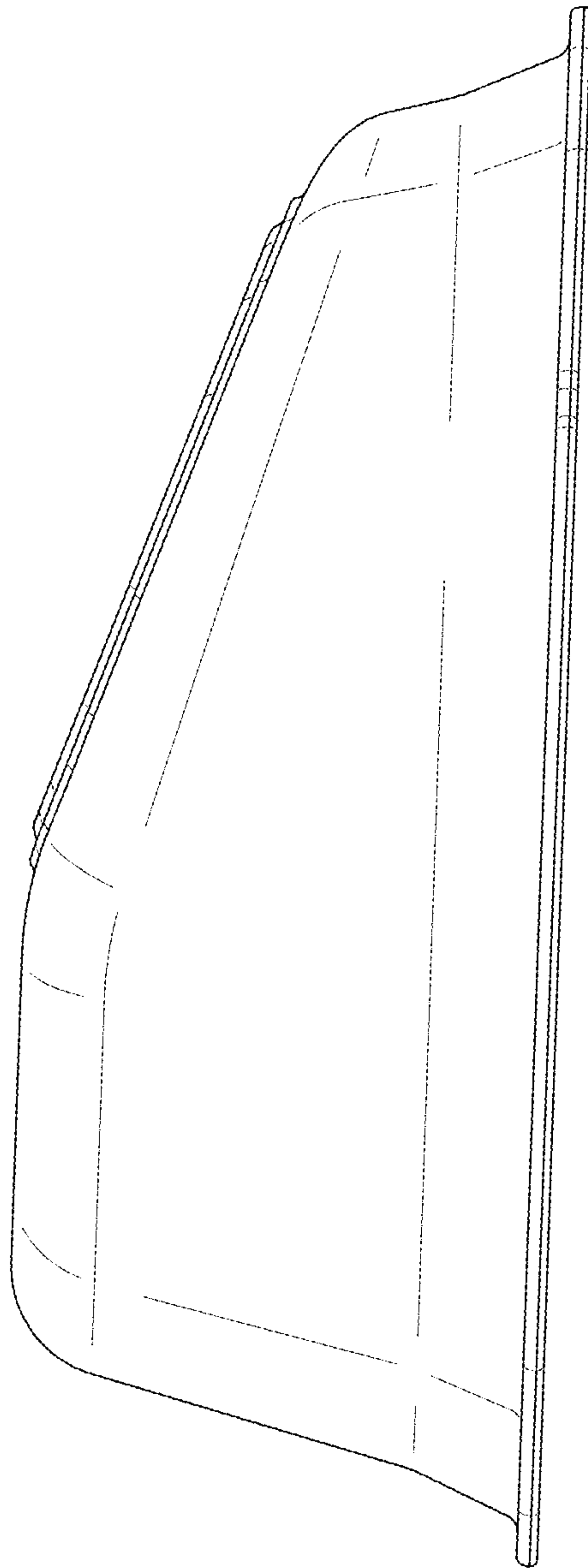


FIG. 5

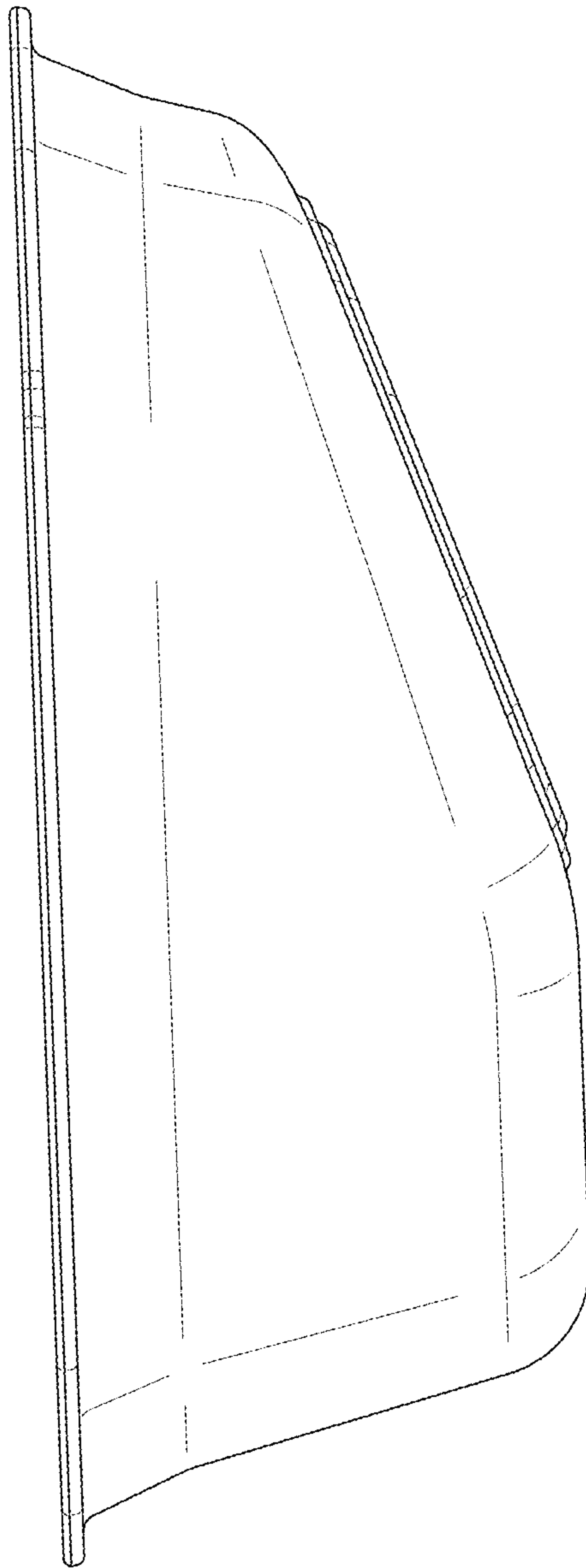


FIG. 6

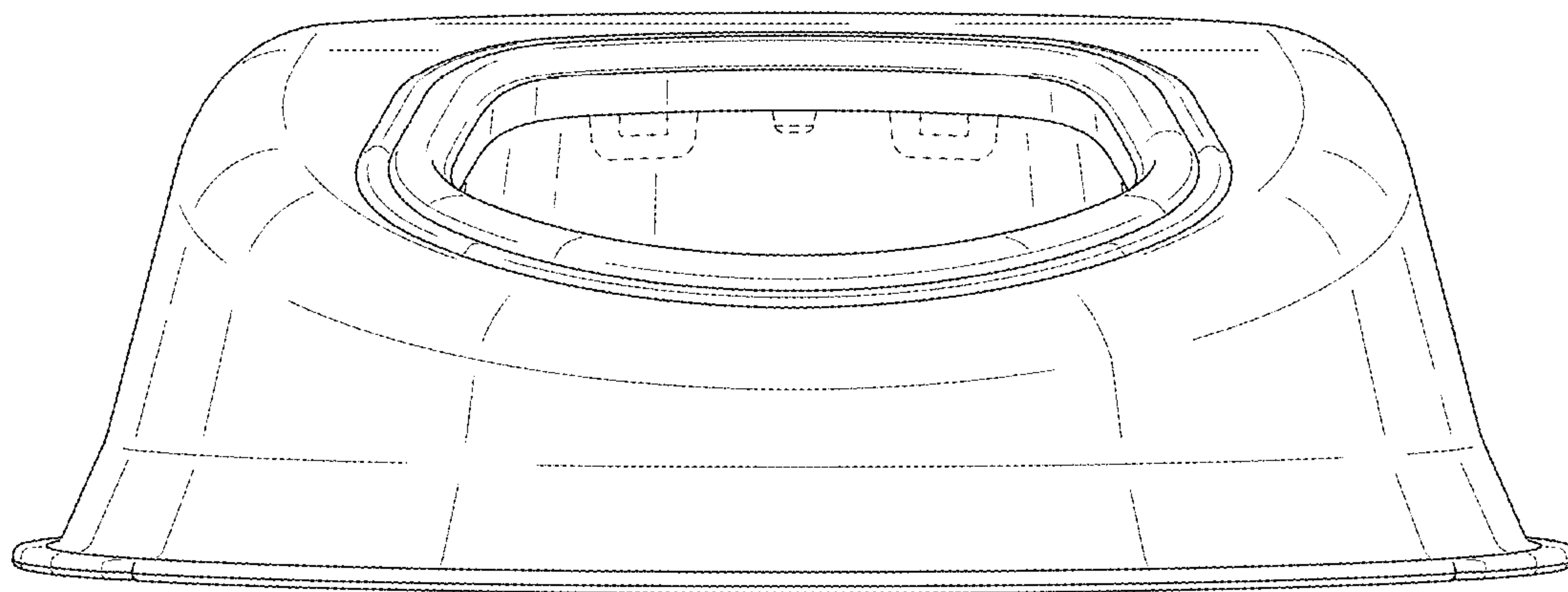


FIG. 7

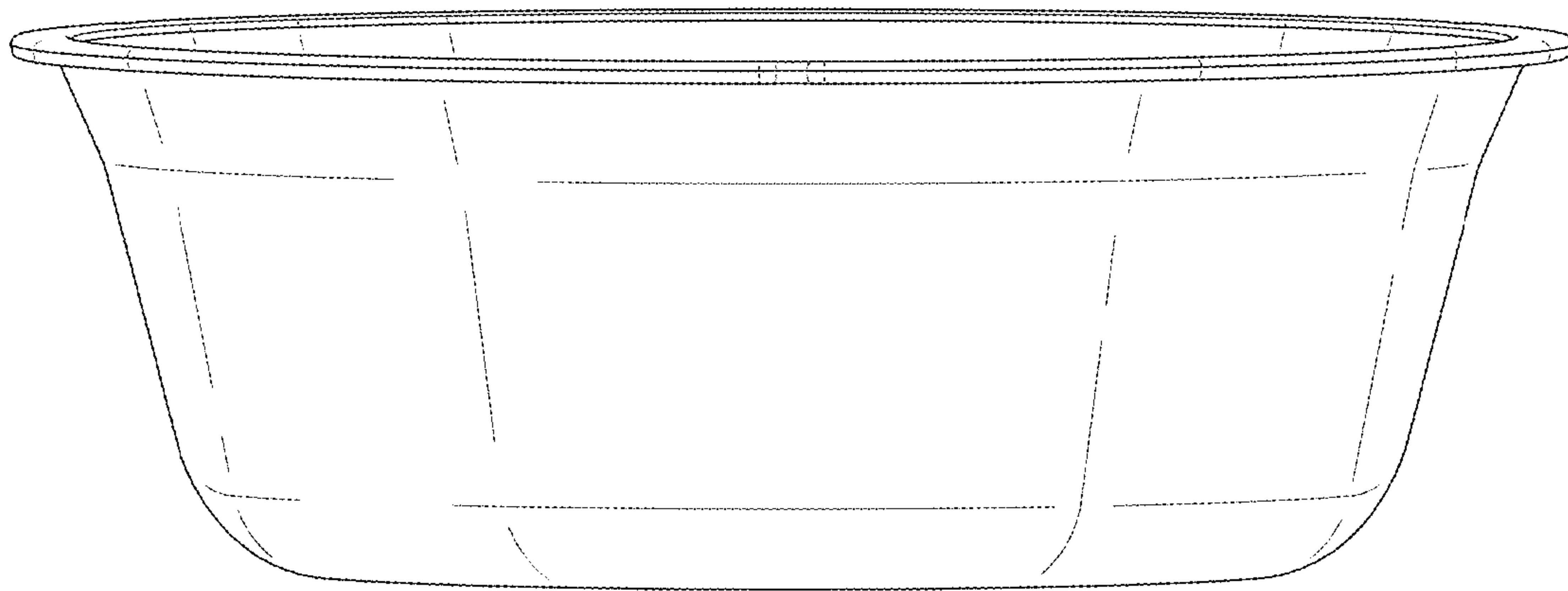


FIG. 8

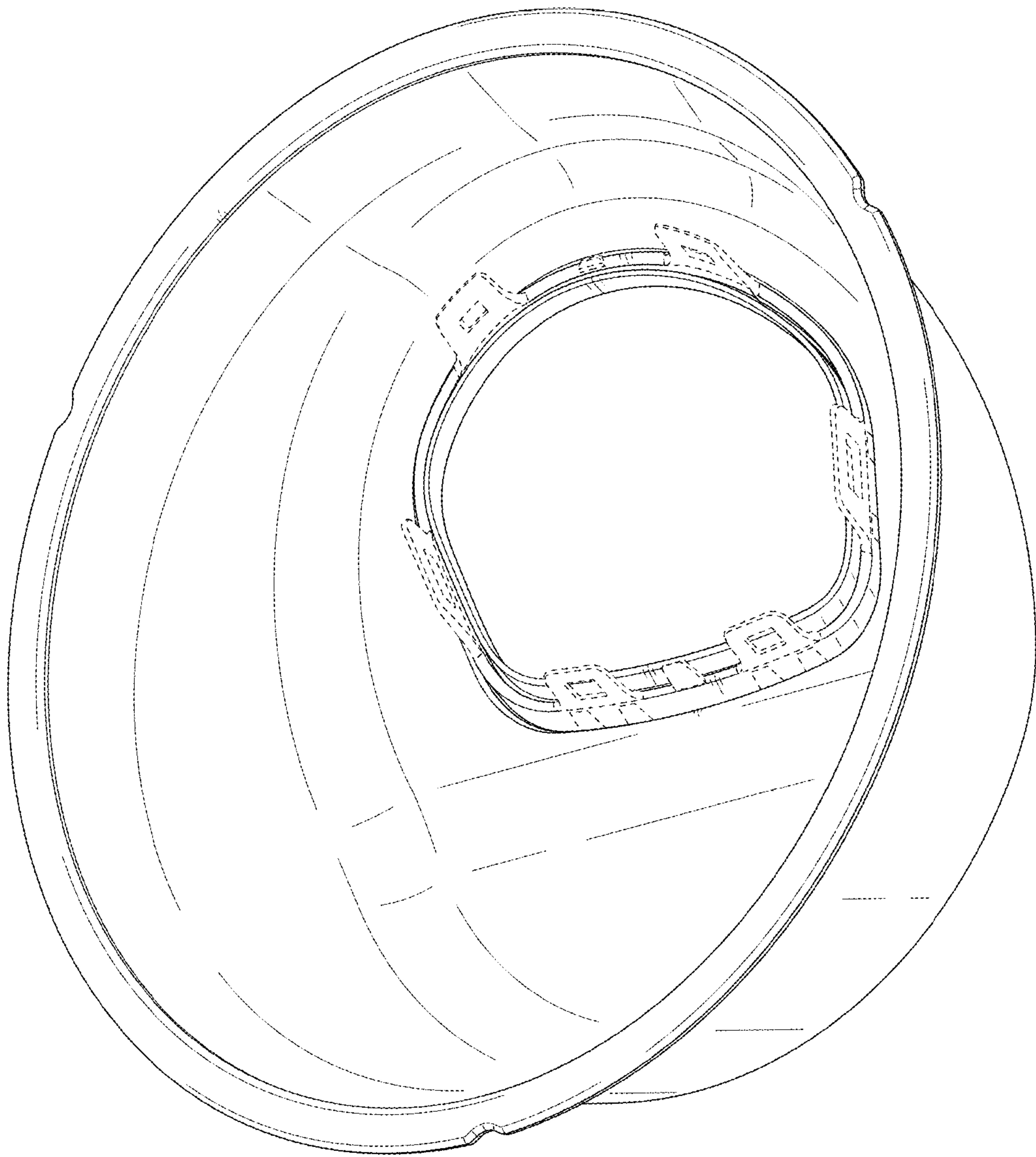


FIG. 9

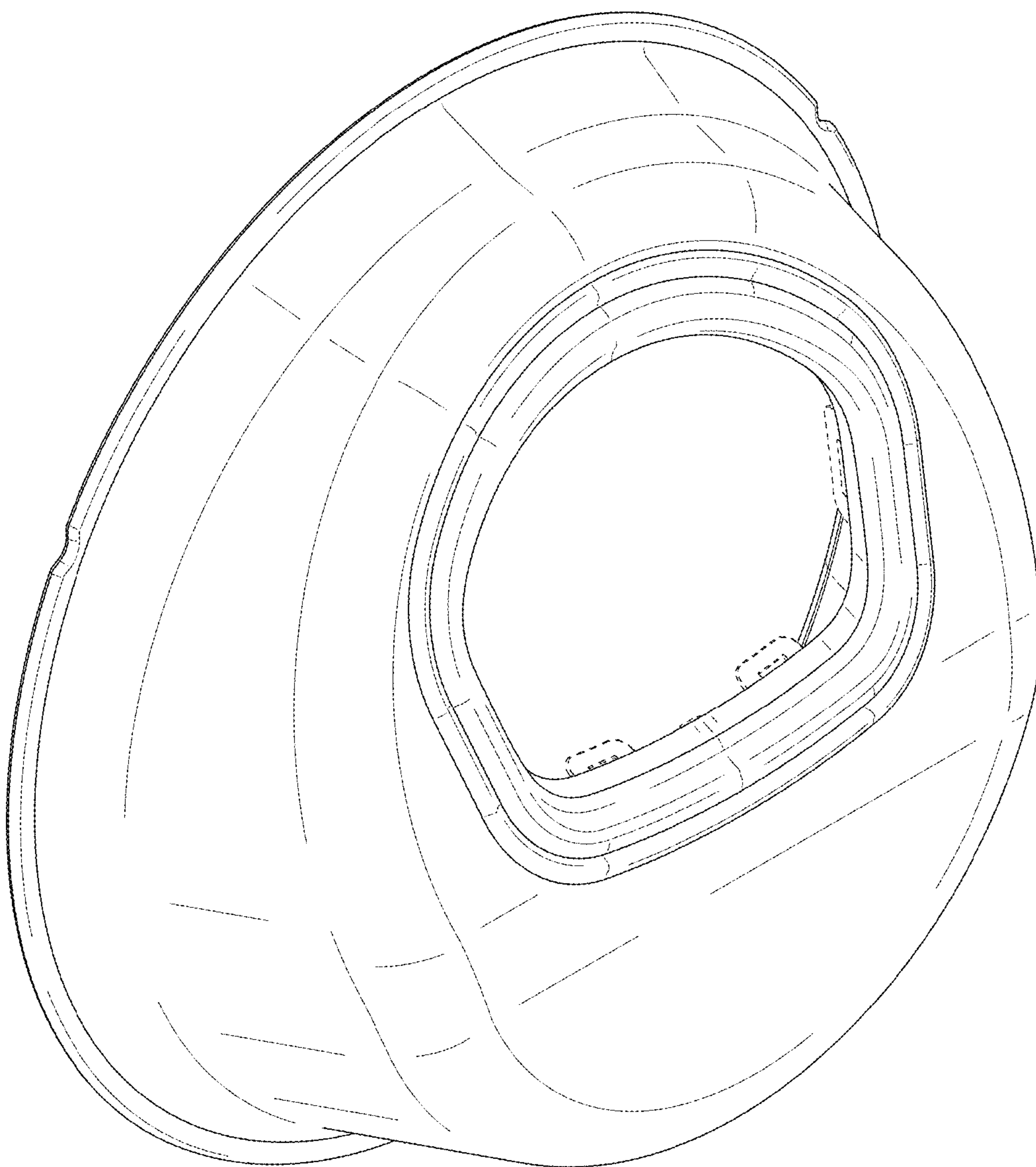


FIG. 10

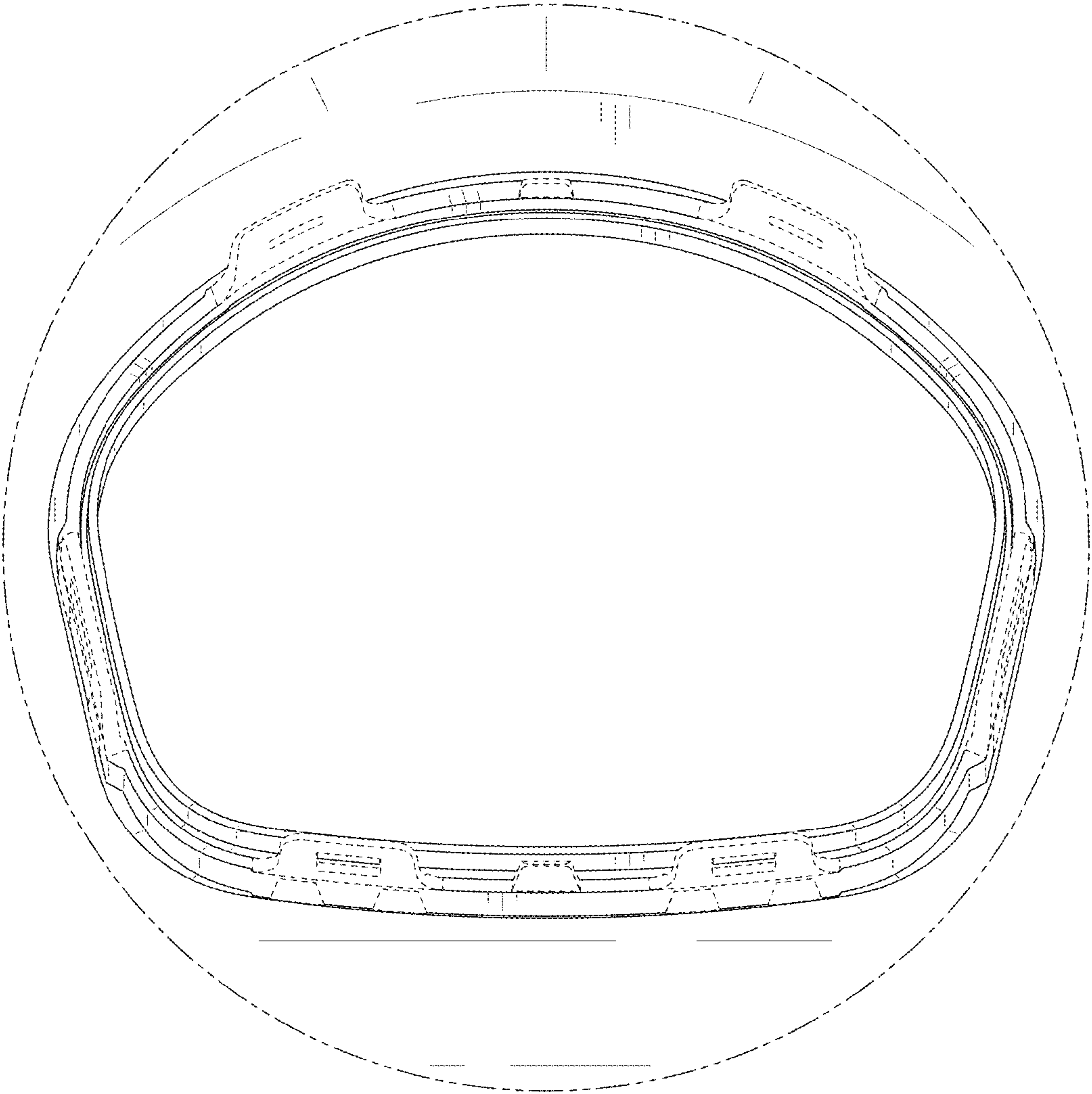


FIG. 11

