



US00D771335S

(12) **United States Design Patent**
Yoon et al.

(10) **Patent No.:** **US D771,335 S**
(45) **Date of Patent:** **** Nov. 8, 2016**

(54) **DOOR FOR WASHING MACHINE**

(71) Applicant: **Samsung Electronics Co., Ltd.**,
Suwon-si (KR)

(72) Inventors: **Kisang Yoon**, Daejeon (KR); **Yoonjong Kang**, Seoul (KR); **Dongwon Chun**, Seoul (KR)

(73) Assignee: **Samsung Electronics Co., Ltd.**,
Suwon-si (KR)

(**) Term: **15 Years**

(21) Appl. No.: **29/536,084**

(22) Filed: **Aug. 13, 2015**

(30) **Foreign Application Priority Data**

Feb. 13, 2015 (KR) 30-2015-0007978

(51) **LOC (10) Cl.** **15-05**

(52) **U.S. Cl.**
USPC **D32/25**

(58) **Field of Classification Search**
USPC D32/1-6, 8, 10, 25, 28; 312/228, 228.1,
312/236, 294, 326; 220/810; 68/3 R, 5 R,
68/235 R, 196, 212; 34/108, 130, 131, 132,
34/595, 596, 597; 8/137
CPC A47B 96/00; D06F 39/022; D06F 39/14;
D06F 39/028; D06F 33/02; D06F 37/28;
D06F 58/00
See application file for complete search history.

(56) **References Cited**

U.S. PATENT DOCUMENTS

D422,387 S 4/2000 Mutoh et al.
D631,215 S * 1/2011 Song D32/6
D695,474 S * 12/2013 Calmeise D32/28
D697,680 S * 1/2014 Hwang D32/25
D701,656 S * 3/2014 Choi D32/6
D704,907 S * 5/2014 Yoo D32/6
D709,657 S * 7/2014 Shin D32/25

D711,605 S * 8/2014 Jo D32/25
D729,467 S * 5/2015 Jee D32/6
D729,998 S * 5/2015 Jeon D32/6
9,315,934 B2 * 4/2016 Kim D06F 29/00
D758,028 S * 5/2016 Bixby D32/25
D758,029 S * 5/2016 Bixby D32/25
D758,031 S * 5/2016 Bixby D32/25
D758,033 S * 5/2016 Bixby D32/25
2015/0076977 A1 * 3/2015 Kim D06F 39/005
312/228
2015/0121972 A1 * 5/2015 Kim D06F 39/12
68/3 R

FOREIGN PATENT DOCUMENTS

CN 201430062671 9/2014
KR 30-2010-0057222 3/2012
KR 30-2013-0034129 10/2013

* cited by examiner

Primary Examiner — Rosemary K Tarcza
Assistant Examiner — Yolanda Robinson
(74) *Attorney, Agent, or Firm* — NSIP Law

(57) **CLAIM**

We claim the ornamental design for a door for washing machine, as shown and described.

DESCRIPTION

FIG. 1 is a front perspective view of a door for washing machine showing our new design;
FIG. 2 is a front view thereof;
FIG. 3 is a rear view thereof;
FIG. 4 is a left-side view thereof;
FIG. 5 is a right-side view thereof;
FIG. 6 is a top view thereof;
FIG. 7 is a bottom view thereof; and,
FIG. 8 is another perspective view thereof in which a washing machine in broken lines is provided to illustrate an example environment.

The broken lines in the figures are for environmental purposes only and form no part of the claimed design.

1 Claim, 8 Drawing Sheets

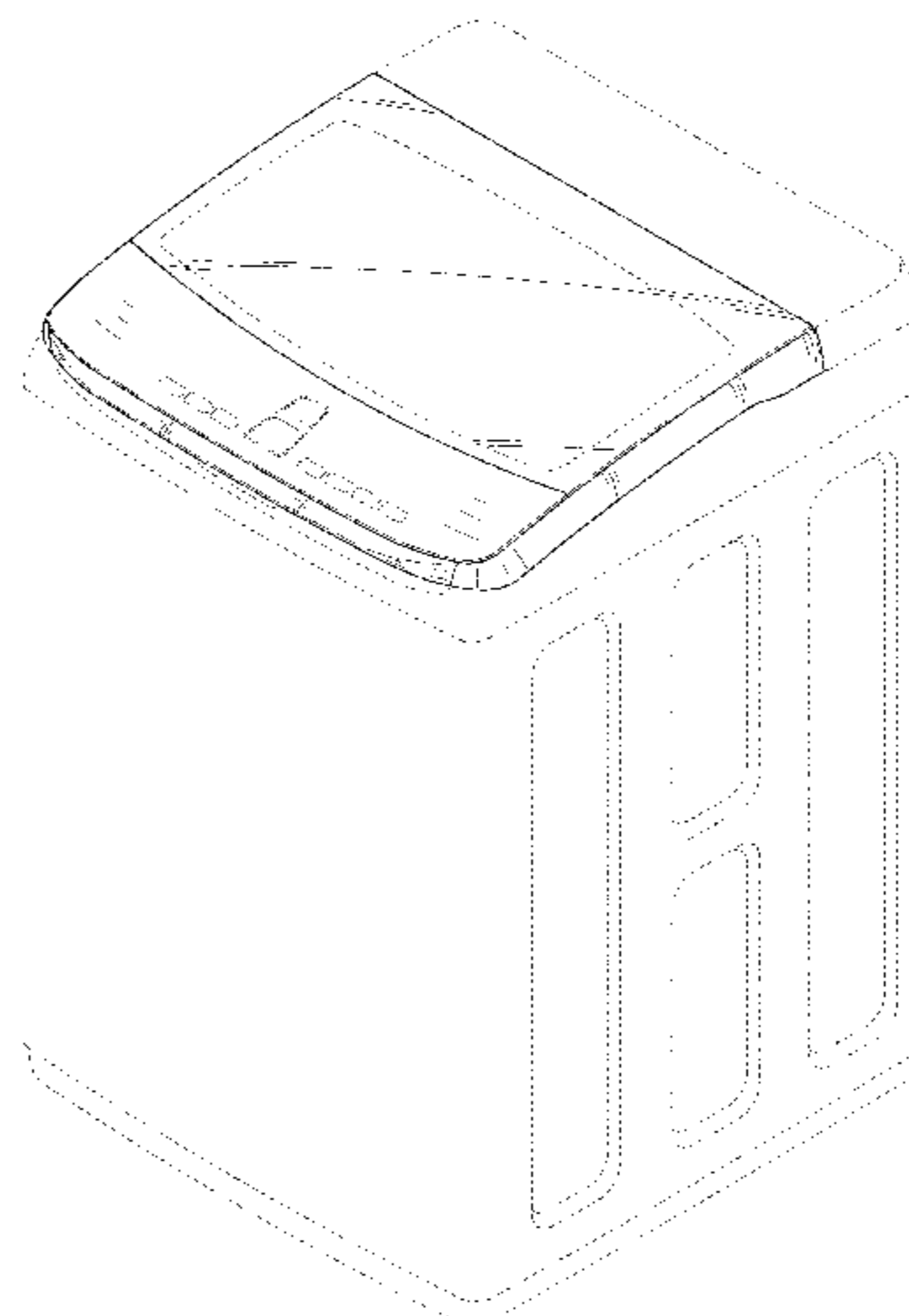
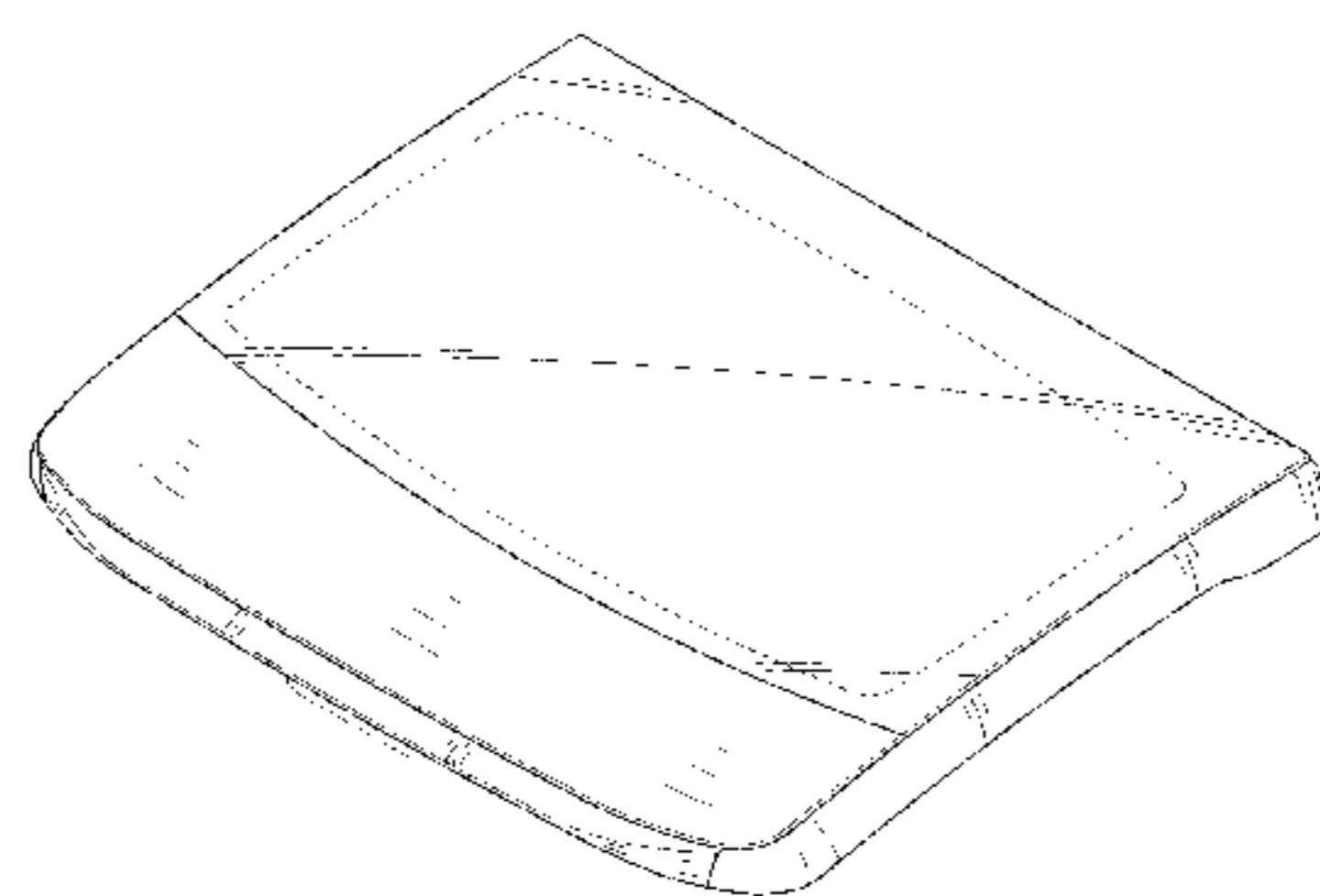


FIG. 1

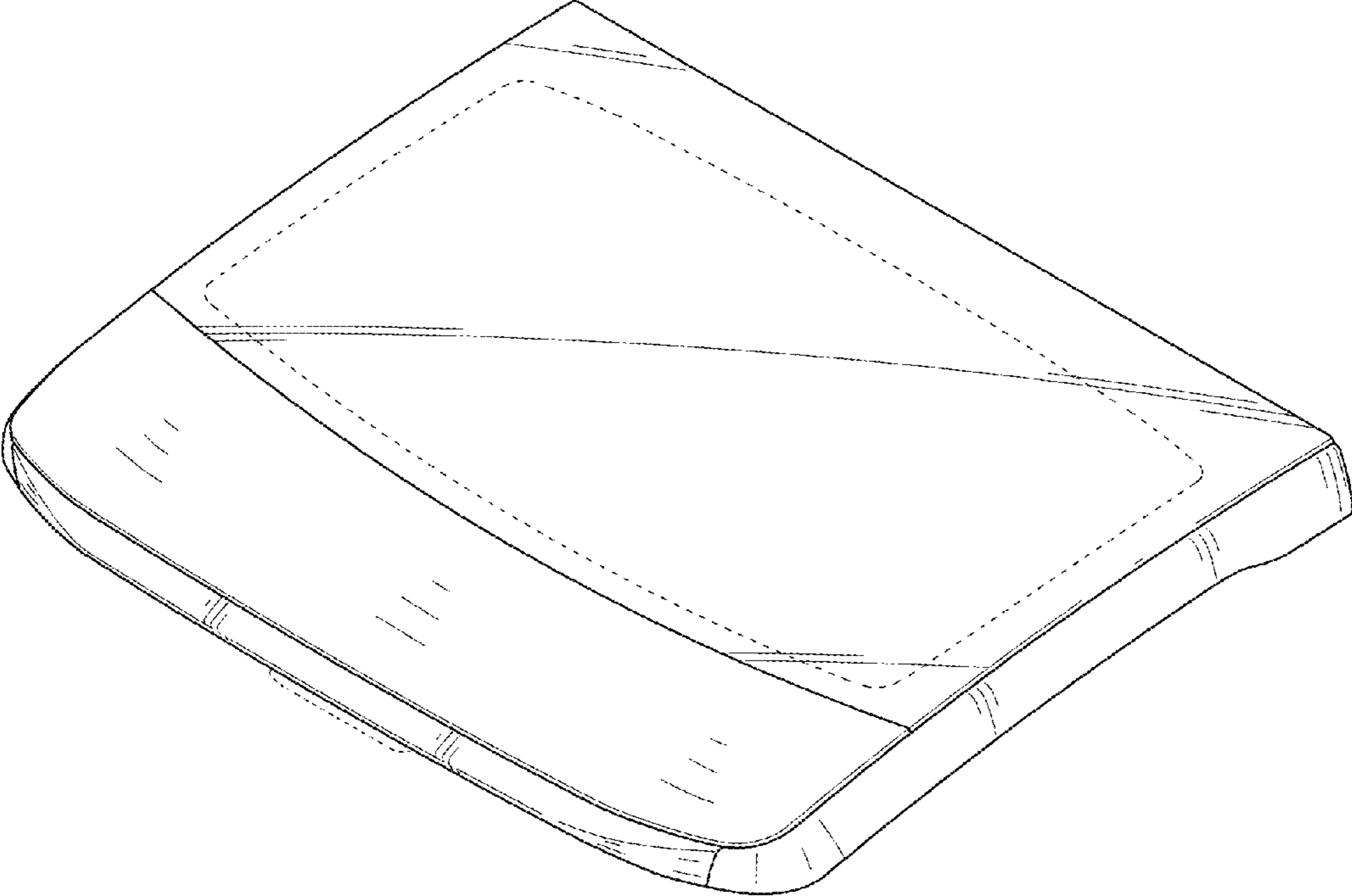


FIG. 2

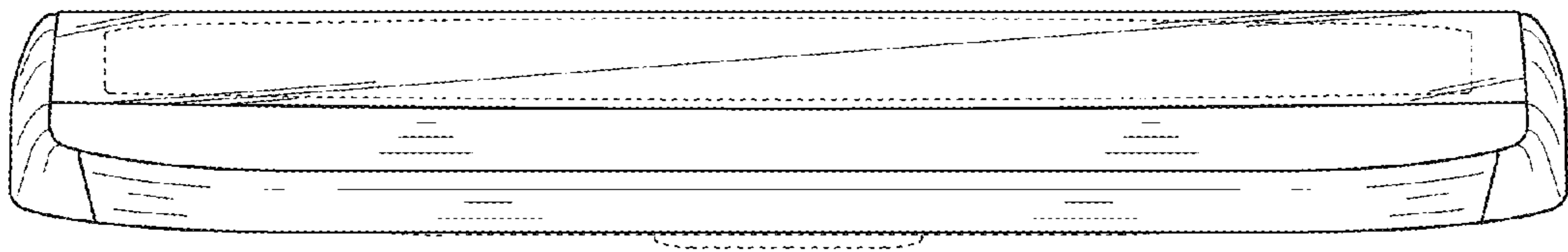


FIG. 3

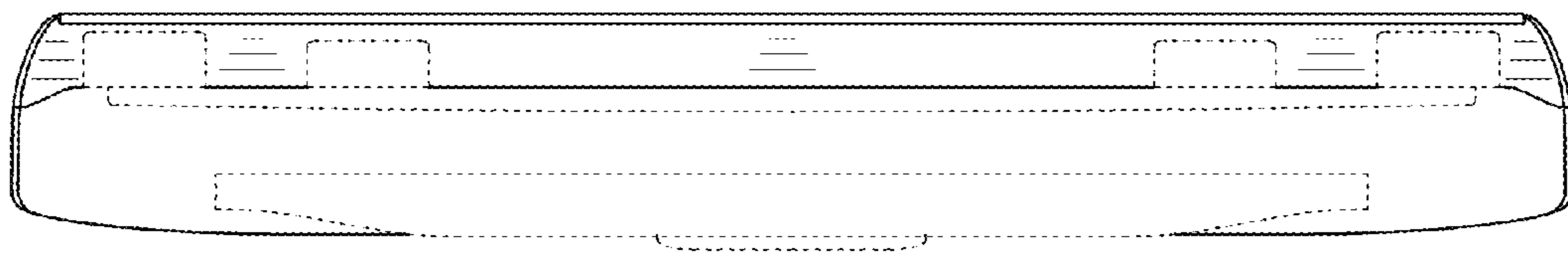


FIG. 4

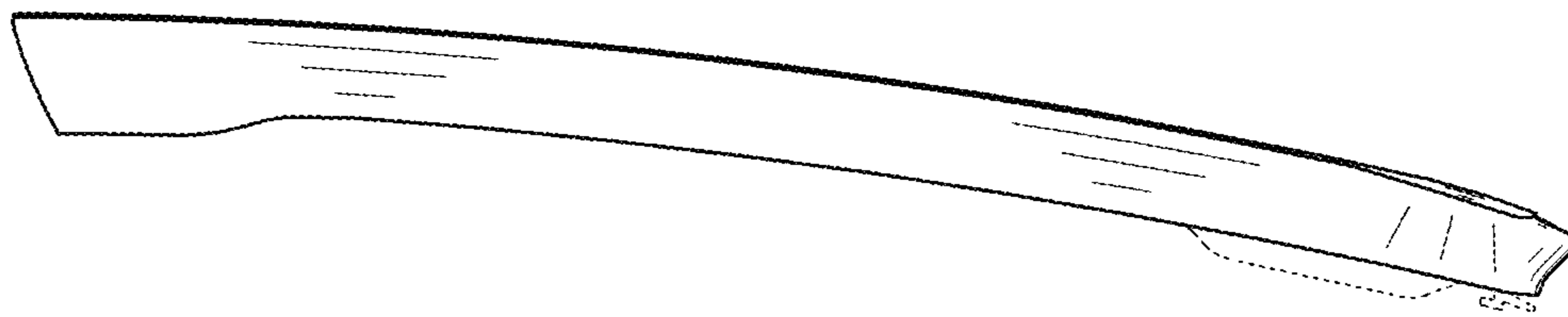


FIG. 5

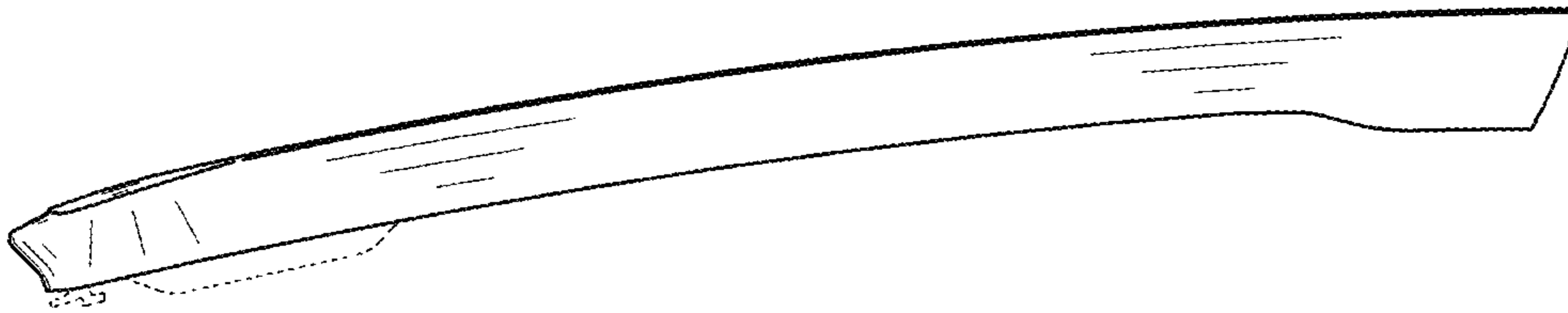


FIG. 6

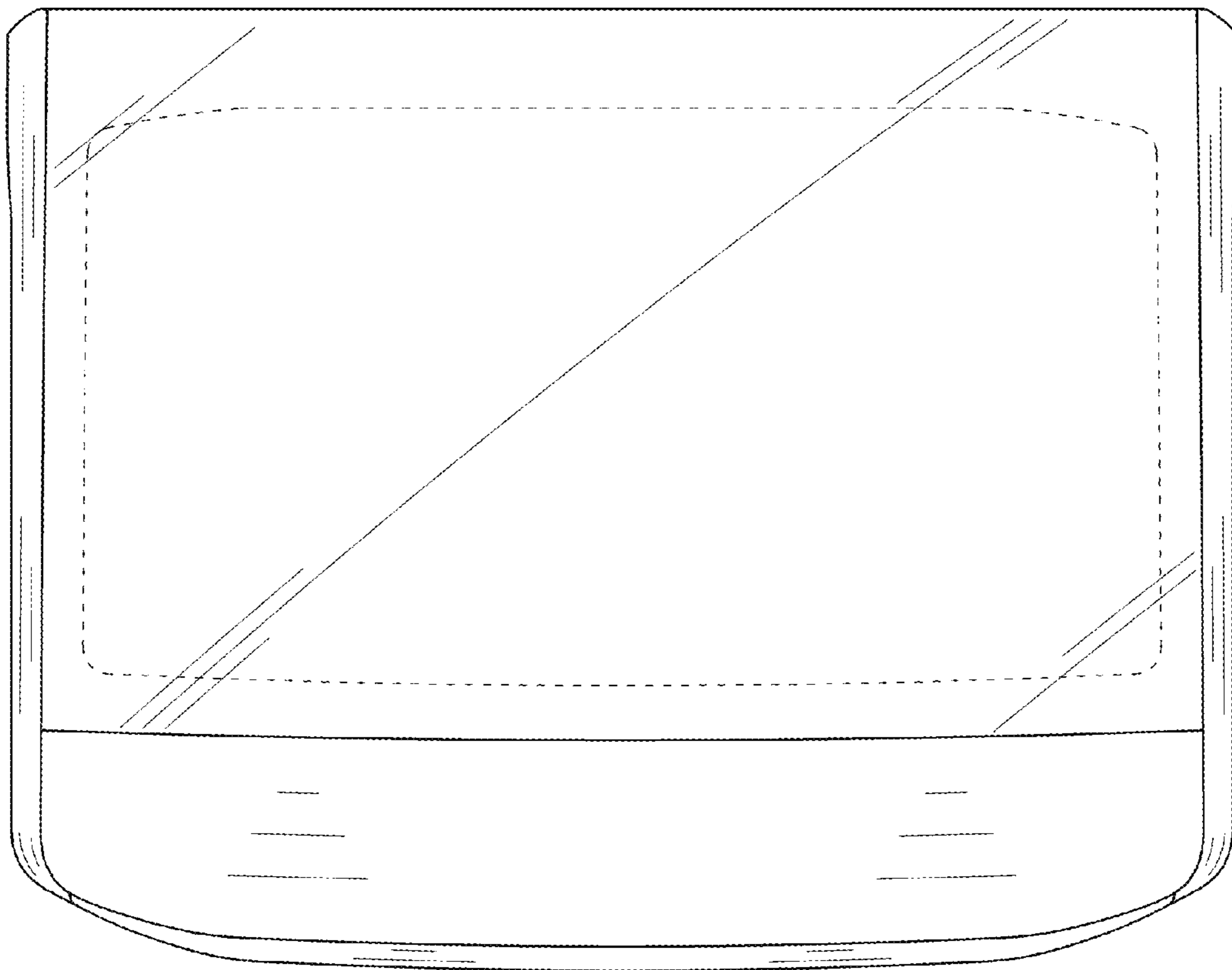


FIG. 7

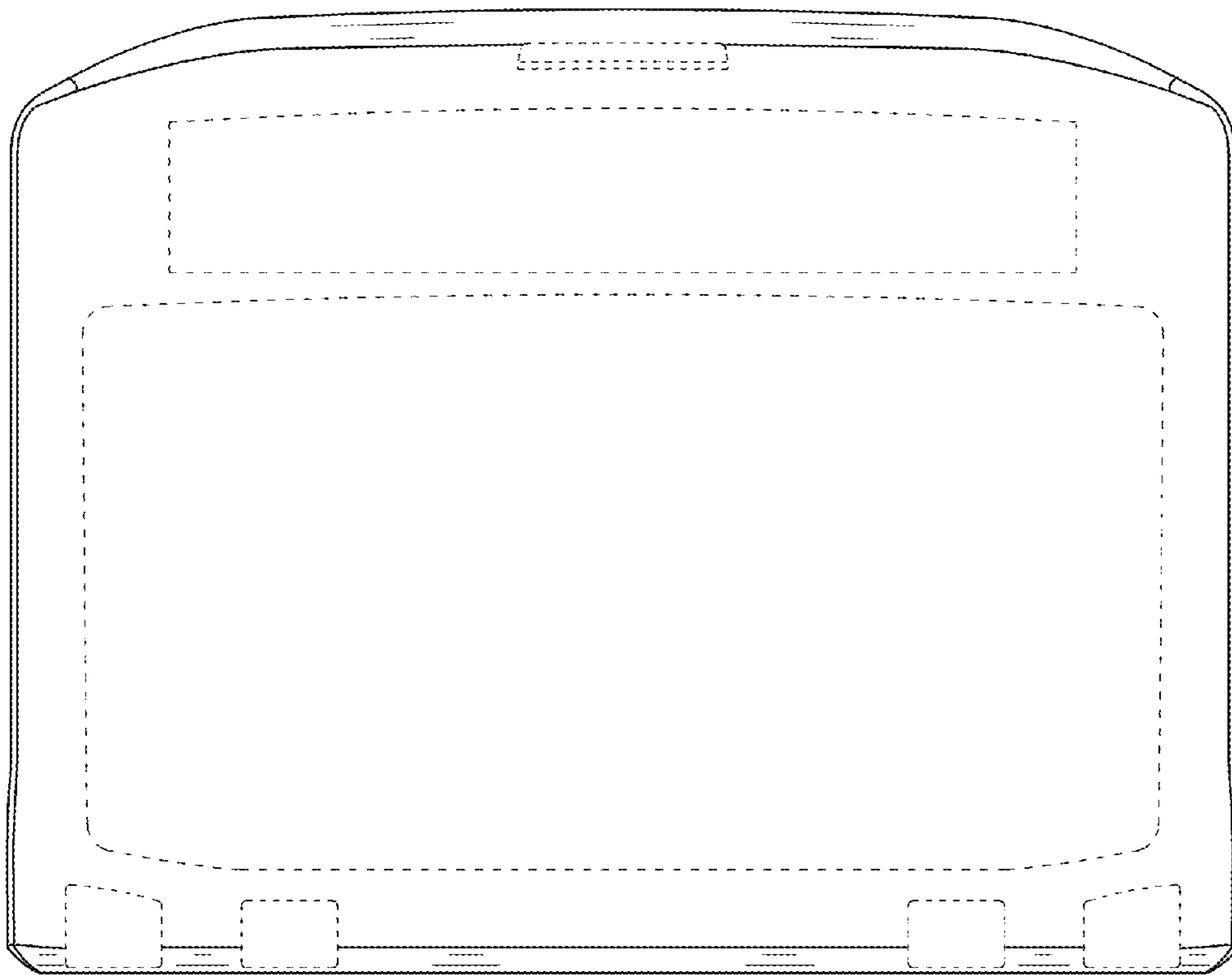


FIG. 8

