



US00D771334S

(12) **United States Design Patent**
Cockman

(10) **Patent No.:** **US D771,334 S**

(45) **Date of Patent:** **** Nov. 8, 2016**

- (54) **DEBRIS CAPTURING NET**
- (71) Applicant: **Shad M. Cockman**, Brown Summit, NC (US)
- (72) Inventor: **Shad M. Cockman**, Brown Summit, NC (US)
- (**) Term: **14 Years**
- (21) Appl. No.: **29/515,534**
- (22) Filed: **Jan. 23, 2015**
- (51) **LOC (10) Cl.** **15-05**
- (52) **U.S. Cl.**
USPC **D32/25**
- (58) **Field of Classification Search**
USPC D32/3, 25, 28, 4; D8/1; 56/329, 330; 43/108; 47/30, 31.1; 383/4, 5
CPC A01D 46/26; A01G 13/0281; A01G 13/0287; A01G 1/125; A45C 9/00; A45C 13/1046; B65D 33/28; A47D 5/006
See application file for complete search history.

| | | | | | |
|--------------|------|---------|-----------------|-------|-----------------------|
| 7,594,754 | B2 | 9/2009 | Costello | | 383/4 |
| D622,560 | S * | 8/2010 | Kuhn | | D8/1 |
| 8,151,548 | B1 * | 4/2012 | Sherry | | A01G 1/125 56/329 |
| 2006/0008182 | A1 * | 1/2006 | Ingraselino | | B65F 1/0006 383/4 |
| 2006/0021311 | A1 | 2/2006 | Kim | | 56/1 |
| 2006/0191074 | A1 * | 8/2006 | Welch | | A47D 5/006 5/655 |
| 2007/0127849 | A1 * | 6/2007 | Lakis | | A45F 4/02 383/4 |
| 2007/0183689 | A1 * | 8/2007 | Leone | | B65D 33/16 383/4 |
| 2009/0025357 | A1 * | 1/2009 | Parsa | | A01D 46/26 56/329 |
| 2009/0154847 | A1 * | 6/2009 | Costello | | B65F 1/00 383/119 |
| 2009/0190859 | A1 * | 7/2009 | Simhony | | A45C 1/06 383/4 |
| 2012/0128268 | A1 * | 5/2012 | Fazackerley | | A45C 13/1046 383/4 |
| 2012/0311986 | A1 | 12/2012 | Anderson et al. | | 56/1 |
| 2015/0208775 | A1 * | 7/2015 | Armstead | | A45C 9/00 383/4 |
| 2015/0313335 | A1 * | 11/2015 | Fazackerley | | A45C 13/1046 383/4 |

(56) **References Cited**

U.S. PATENT DOCUMENTS

| | | | | | |
|-----------|------|---------|----------------|-------|-------------------------|
| 2,436,173 | A * | 2/1948 | Knapp | | A01D 46/26 56/329 |
| 2,649,680 | A * | 8/1953 | Brown | | A01D 46/26 43/108 |
| 2,766,797 | A | 10/1956 | Cowen | | |
| 3,105,347 | A * | 10/1963 | Anderson | | A01D 46/26 56/329 |
| 5,066,143 | A * | 11/1991 | Sanders | | B65D 33/28 294/152 |
| 5,195,828 | A * | 3/1993 | Bush-Rodriquez | | A45C 9/00 190/2 |
| RE34,849 | E * | 2/1995 | Sanders | | B65D 33/28 383/4 |
| 5,417,462 | A | 5/1995 | Hensley | | 294/1.1 |
| D368,340 | S * | 3/1996 | Mussmacher | | D32/3 |
| 5,664,886 | A | 9/1997 | Hutchinson | | 383/4 |
| 6,090,466 | A * | 7/2000 | Kartisek | | A01G 13/0287 383/4 |
| 6,267,504 | B1 | 7/2001 | Screen | | 383/4 |
| D483,161 | S * | 12/2003 | Stern | | D32/25 |
| 6,705,044 | B2 * | 3/2004 | Clancey | | A01G 13/0281 47/31.1 |
| D496,506 | S * | 9/2004 | Keeler | | D32/25 |
| 7,520,010 | B2 * | 4/2009 | Welch | | A47D 5/006 190/1 |

* cited by examiner

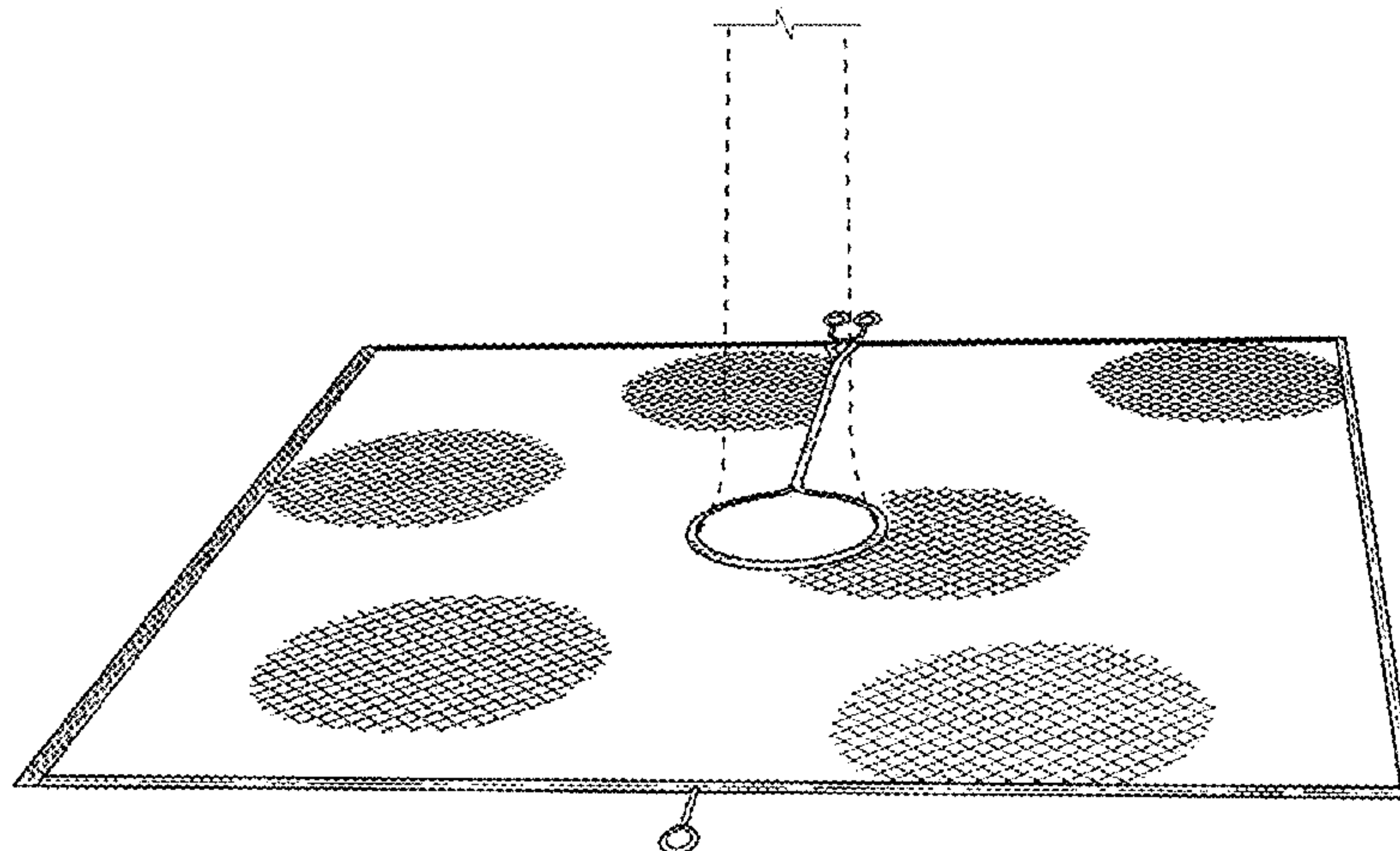
Primary Examiner — Rosemary K Tarcza
Assistant Examiner — Yolanda Robinson
(74) *Attorney, Agent, or Firm* — Blake P. Hurt; Tuggle Duggins P.A.

(57) **CLAIM**
The ornamental design for a debris capturing net, as shown and described.

DESCRIPTION

FIG. 1 is a top, front, perspective view of a debris capturing net showing my new design;
FIG. 2 is a top plan view thereof;
FIG. 3 is a bottom plan view thereof;
FIG. 4 is a rear elevational view thereof;
FIG. 5 is a front elevational view thereof; and,
FIG. 6 is a left side elevational view thereof, the right side elevational view being a mirror image thereof.
The dashed lines shown in FIG. 1 are included for the purpose of illustrating environment and form no part of the claimed design.

1 Claim, 4 Drawing Sheets



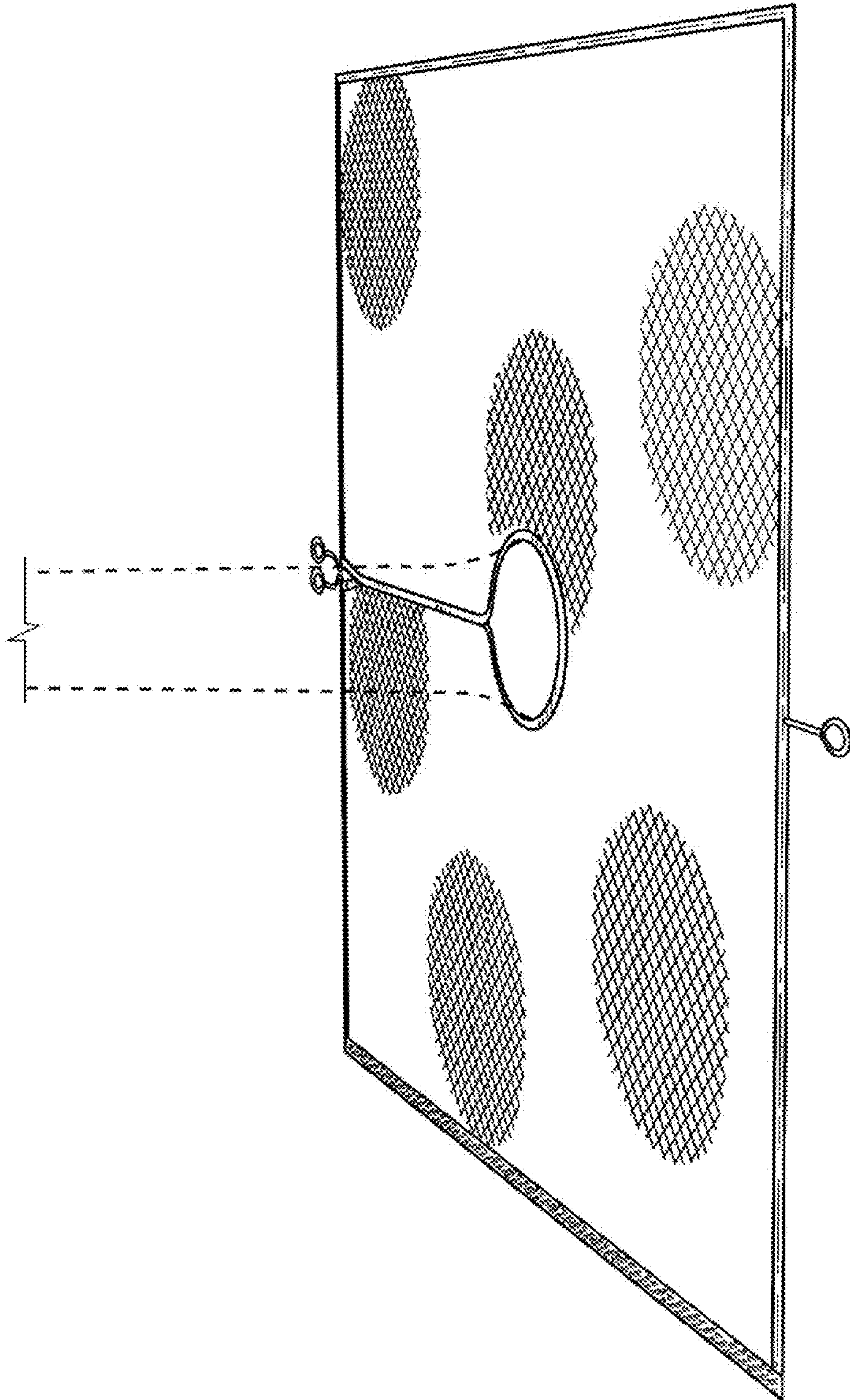


Fig. 1

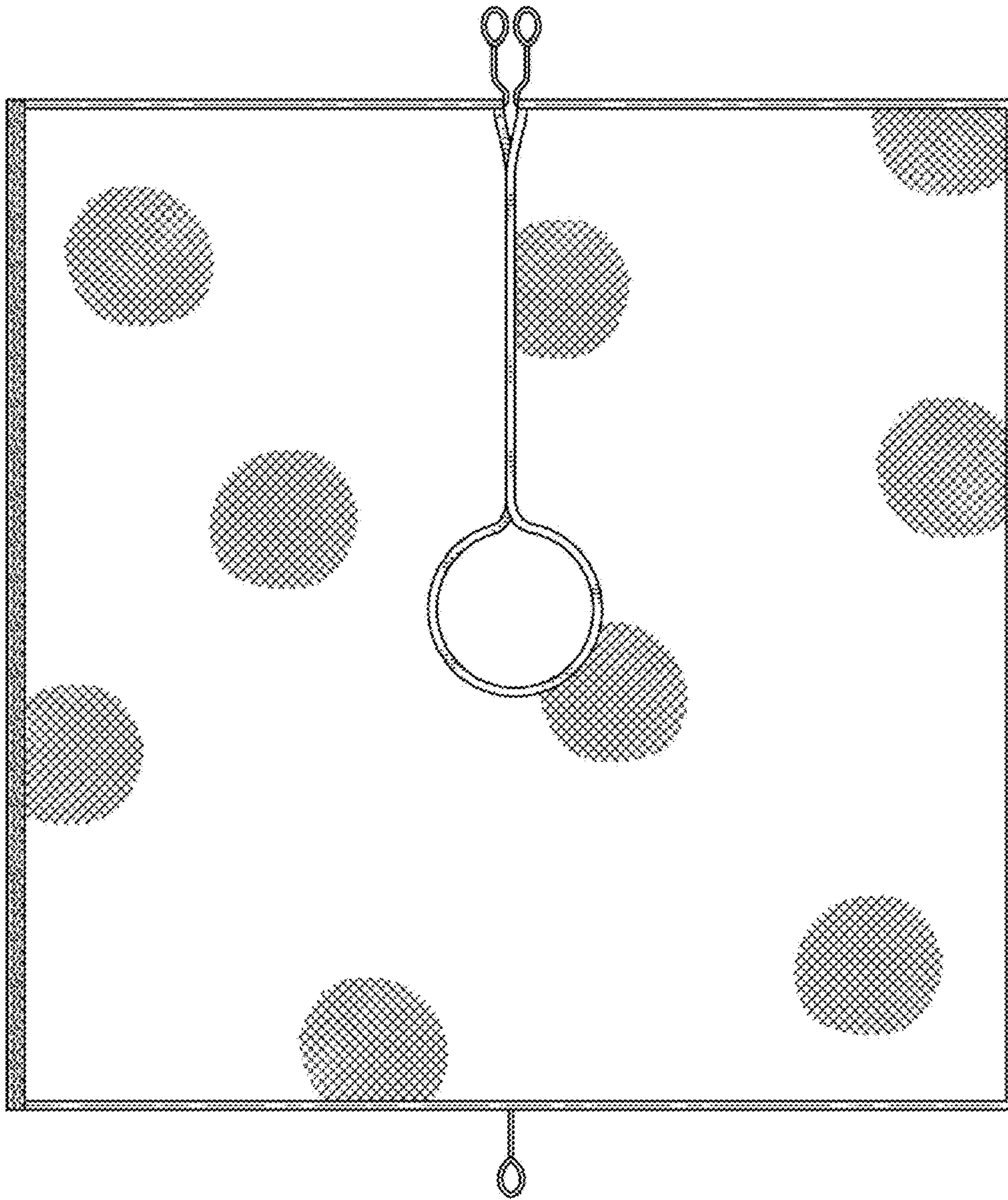


Fig. 2

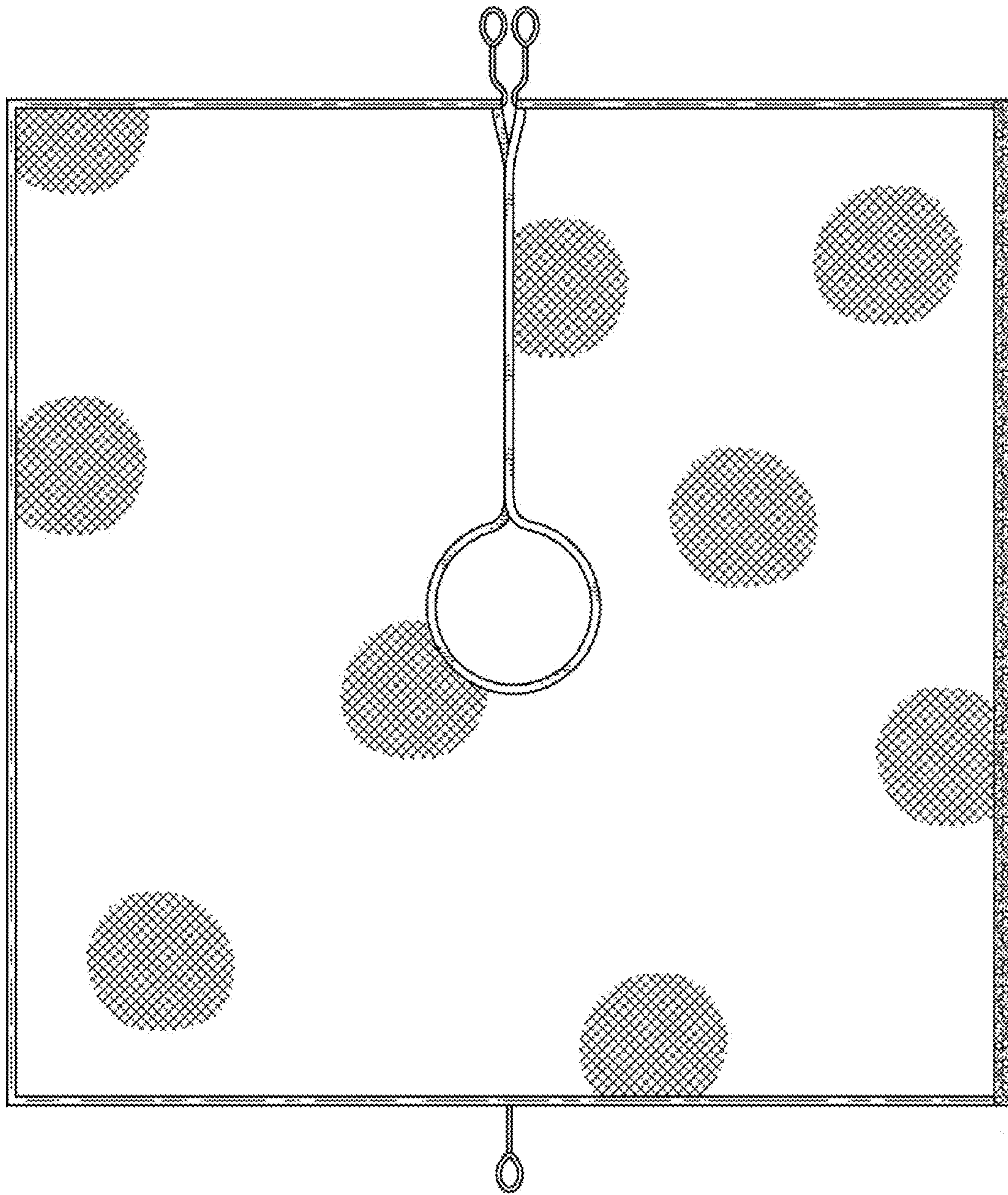


Fig. 3



Fig. 4



Fig. 5



Fig. 6