



US00D771327S

(12) **United States Design Patent** (10) **Patent No.:** **US D771,327 S**  
**Hu** (45) **Date of Patent:** **\*\* Nov. 8, 2016**

(54) **HANDHELD CONTROL UNIT FOR ELECTRONIC REMOTE TRAINING COLLAR SYSTEM**

(71) Applicant: **Shenzhen Jiayiyang Electronics Co., Ltd., Shenzhen (CN)**

(72) Inventor: **Jun Hu, Shenzhen (CN)**

(73) Assignee: **Shenzhen Jiayiyang Electronics Co., Ltd., Shenzhen (CN)**

(\*\*) Term: **15 Years**

(21) Appl. No.: **29/556,645**

(22) Filed: **Mar. 2, 2016**

(51) **LOC (10) Cl.** ..... **30-99**

(52) **U.S. Cl.**  
USPC ..... **D30/199; D10/104.1**

(58) **Field of Classification Search**  
USPC ..... D30/199, 155; 119/718-721, 712, 905, 119/908, 859; D10/104.1, 106.1, 104.2, D10/106.3; D14/137, 496, 218, 159; 340/573.3, 573.1, 384.2, 825.76, 340/538.15, 538.16, 539.1, 539.11, 539.14, 340/539.15, 539.16, 539.17, 539.18, 340/539.19, 572.7, 572.8, 572.9, 573.2, 340/573.4; D13/168  
CPC ..... A01K 15/021; A01K 15/022; A01K 15/023; A01K 15/029; A01K 15/04; A01K 15/00; A01K 15/02; A01K 15/006; A01K 27/009; A01K 29/005; A01K 29/00

See application file for complete search history.

(56) **References Cited**

**U.S. PATENT DOCUMENTS**

D265,904 S	*	8/1982	Aoijis	.....	D14/194
D326,853 S	*	6/1992	Ogasawara	.....	D14/188
D341,137 S	*	11/1993	Hattori	.....	D14/137
D358,147 S	*	5/1995	Siddoway	.....	D14/137
D364,164 S	*	11/1995	Hanig	.....	D14/192
D376,593 S	*	12/1996	Riggs	.....	D14/137

D389,827 S	*	1/1998	Oross	.....	D14/137
D395,882 S	*	7/1998	Oross	.....	D14/137
D398,923 S	*	9/1998	Tokiyama	.....	D14/137
D404,034 S	*	1/1999	Bhavnani	.....	D14/194
D407,403 S	*	3/1999	Lee	.....	D14/192
D408,396 S	*	4/1999	Tyneski	.....	D14/137
D418,137 S	*	12/1999	Zeitman	.....	D14/194
D418,833 S	*	1/2000	Seo	.....	D14/137
D430,126 S	*	8/2000	Lee	.....	D14/137
D442,940 S	*	5/2001	Huthmaker	.....	D14/192
D445,706 S	*	7/2001	Myers	.....	D10/104.1
D446,144 S	*	8/2001	Christensen	.....	D10/104.1
D451,896 S	*	12/2001	Kim	.....	D14/137
D453,484 S	*	2/2002	Christianson	.....	D10/104.1
D455,411 S	*	4/2002	Wong	.....	D14/137
D462,916 S	*	9/2002	Fleetwood	.....	D10/104.1
D480,694 S	*	10/2003	Heath	.....	D10/104.1
D482,630 S	*	11/2003	So	.....	D30/199
D487,026 S	*	2/2004	Fleetwood	.....	D10/104.1
D535,973 S	*	1/2007	Goetzl	.....	D14/155
D545,790 S	*	7/2007	Jameson	.....	D10/104.1

(Continued)

*Primary Examiner* — Susan Moon Lee

(74) *Attorney, Agent, or Firm* — Mann Law Group

(57) **CLAIM**

I claim the ornamental design for a handheld control unit for electronic remote training collar system, as shown and described.

**DESCRIPTION**

FIG. 1 is a front perspective view of the handheld control unit for electronic remote training collar system showing my new design;

FIG. 2 is a front elevation view thereof;

FIG. 3 is a rear elevation view thereof;

FIG. 4 is a left side elevation view thereof;

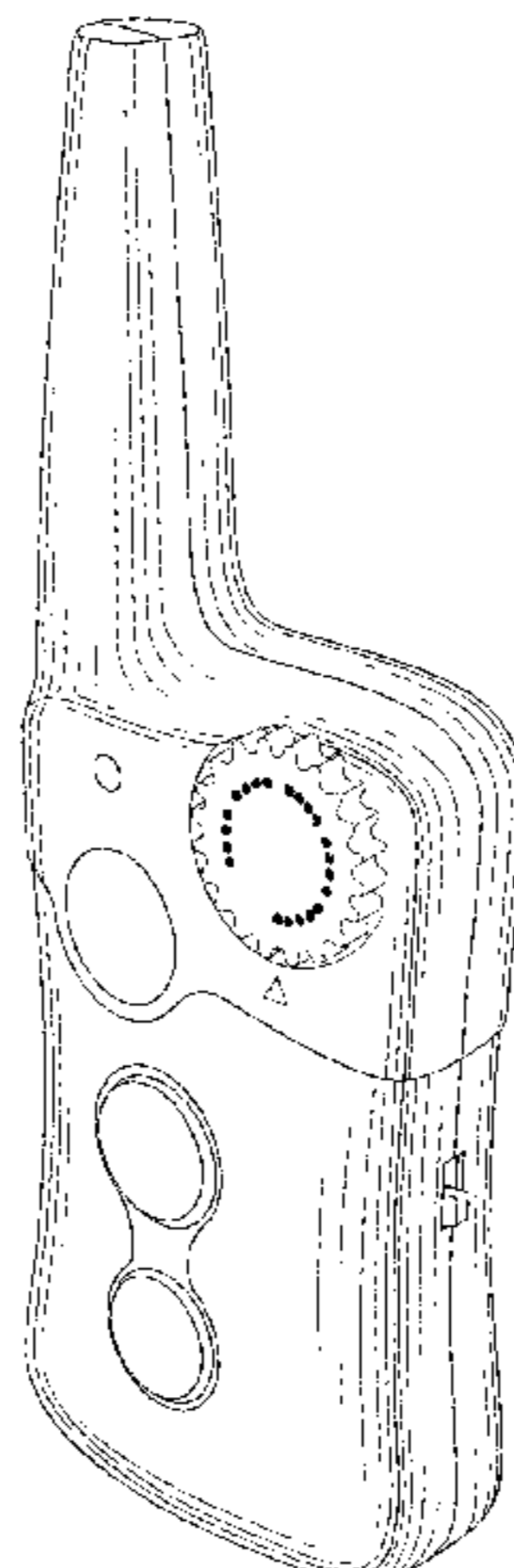
FIG. 5 is a right side elevation view thereof;

FIG. 6 is a top plan view thereof; and,

FIG. 7 is a bottom plan view thereof.

Broken lines and unshaded areas contained within broken lines depict portions of the handheld control unit that form no part of the claimed design.

**1 Claim, 3 Drawing Sheets**



(56)

References Cited

U.S. PATENT DOCUMENTS

D545,791 S \* 7/2007 Jameson ..... D10/104.1  
 D561,143 S \* 2/2008 Mukai ..... D14/137  
 D564,998 S \* 3/2008 Tran ..... D14/137  
 D573,564 S \* 7/2008 Goetzl ..... D10/104.1  
 D576,128 S \* 9/2008 Tran ..... D14/137  
 D587,690 S \* 3/2009 Onodera ..... D14/225  
 D618,229 S \* 6/2010 de Jong ..... D14/250  
 D632,269 S \* 2/2011 Garra ..... D14/137  
 D635,946 S \* 4/2011 Garra ..... D14/137  
 D651,996 S \* 1/2012 Wilson ..... D14/137  
 D685,757 S \* 7/2013 Liu ..... D14/155  
 D736,486 S \* 8/2015 Goetzl ..... D30/199  
 D759,908 S \* 6/2016 Russell ..... D30/199  
 2002/0092478 A1\* 7/2002 Duncan ..... A01K 15/021  
 119/720

2005/0172912 A1\* 8/2005 Crist ..... A01K 15/021  
 119/720  
 2006/0000194 A1\* 1/2006 Duncan ..... A01K 15/021  
 54/71  
 2008/0036610 A1\* 2/2008 Hokuf ..... A01K 11/008  
 340/573.3  
 2009/0139462 A1\* 6/2009 So ..... A01K 15/021  
 119/719  
 2012/0272924 A1\* 11/2012 So ..... A01K 15/021  
 119/720  
 2013/0118418 A1\* 5/2013 Lalor ..... A01K 15/021  
 119/720  
 2014/0232541 A1\* 8/2014 Trenkle ..... G08B 25/10  
 340/539.13  
 2014/0261233 A1\* 9/2014 So ..... A01K 15/021  
 119/720  
 2016/0100552 A1\* 4/2016 So ..... A01K 15/021  
 119/719

\* cited by examiner

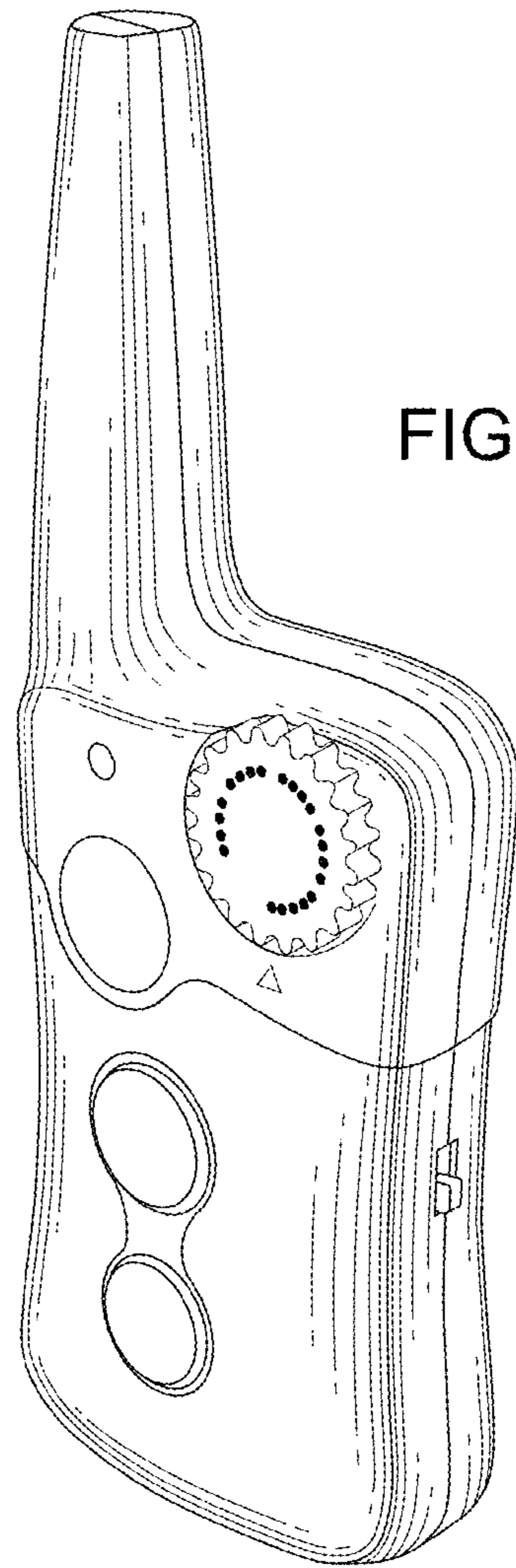


FIG. 1

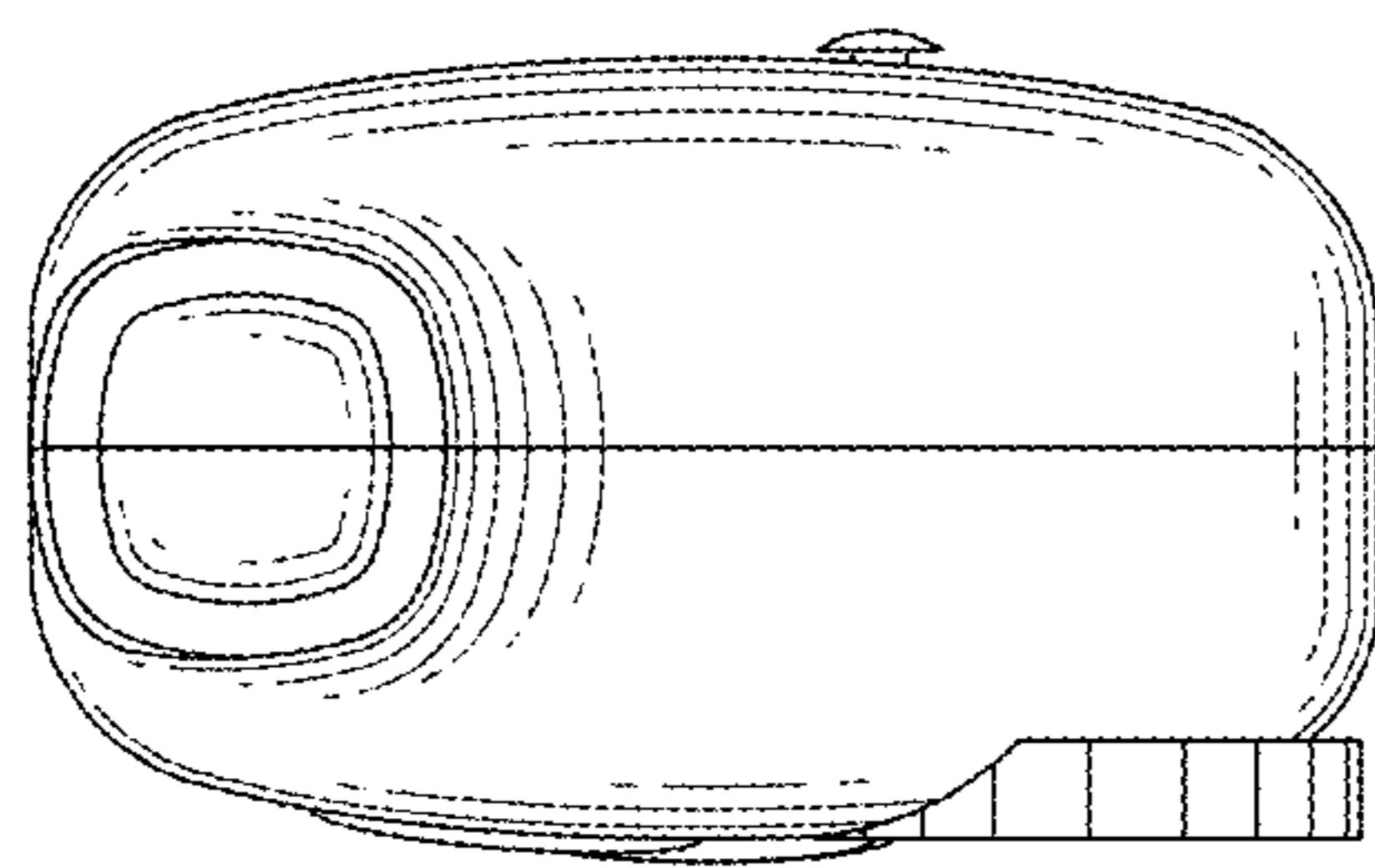


FIG. 6

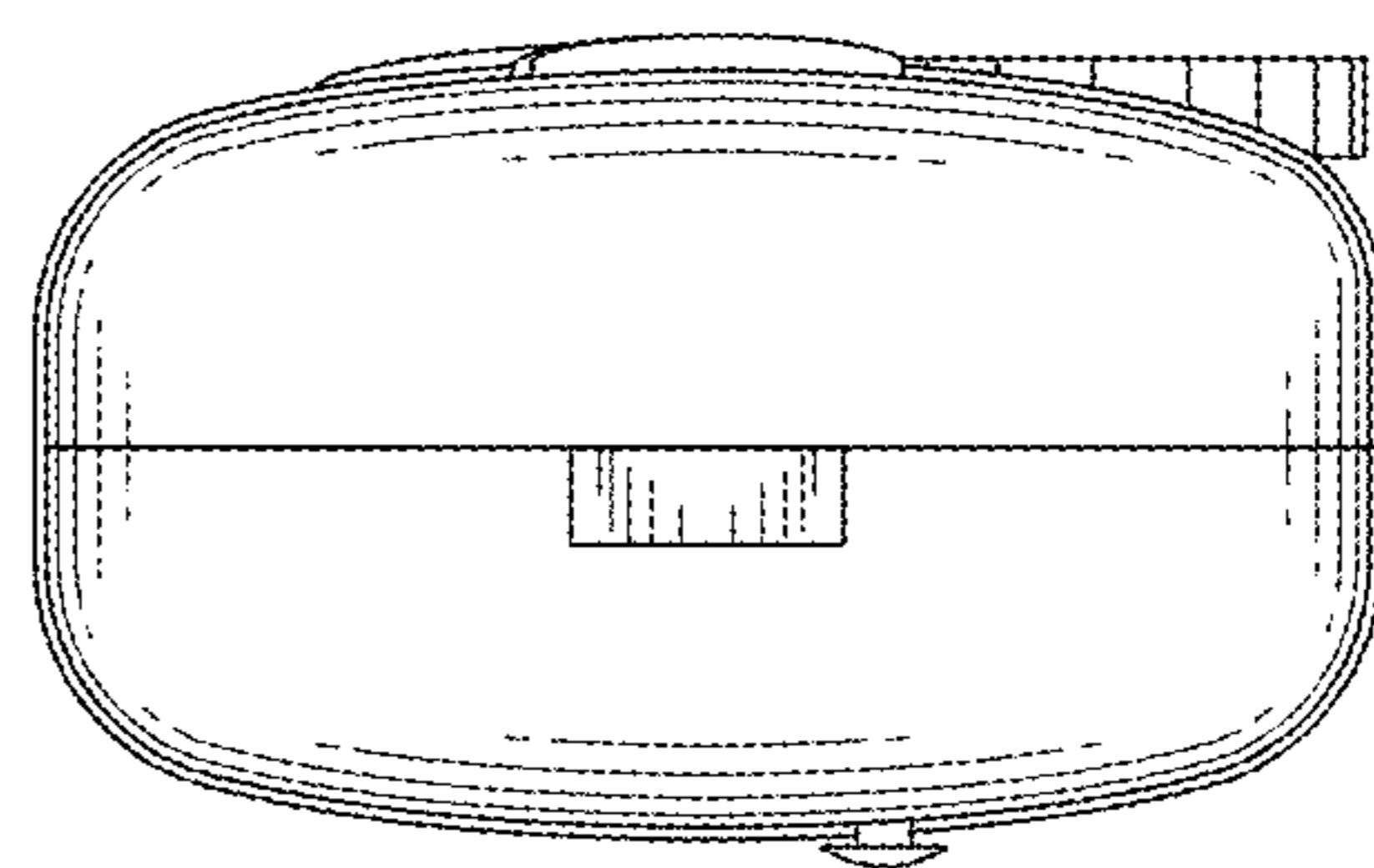


FIG. 7

FIG. 2

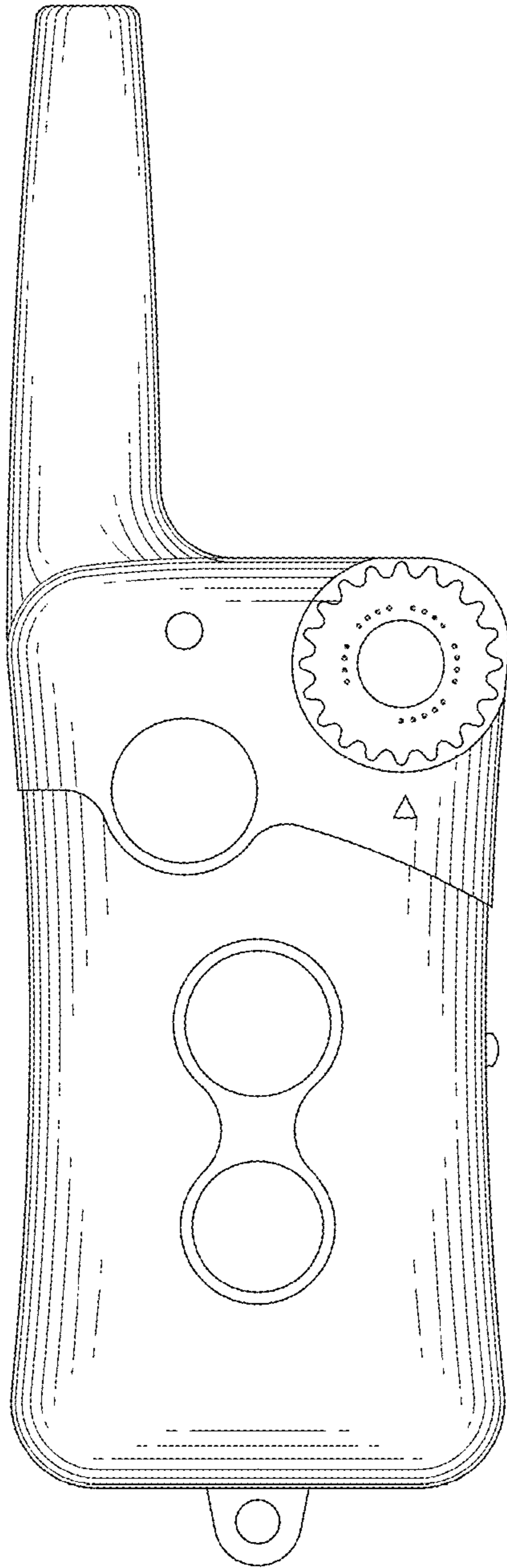


FIG. 3

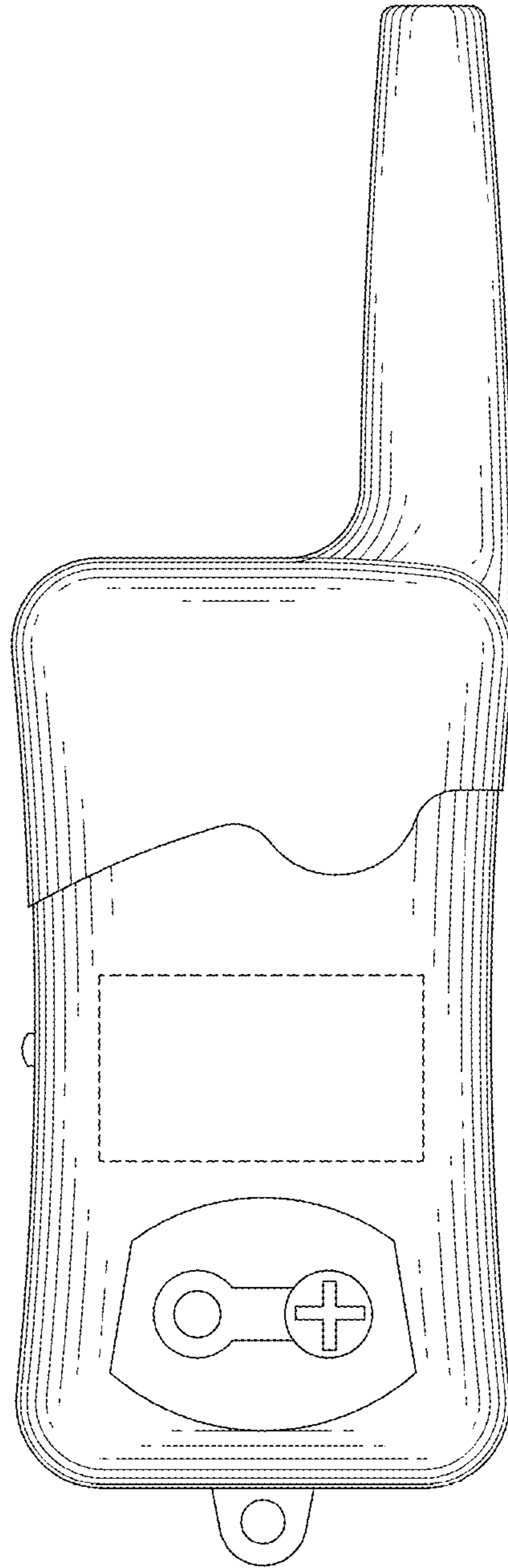


FIG. 4

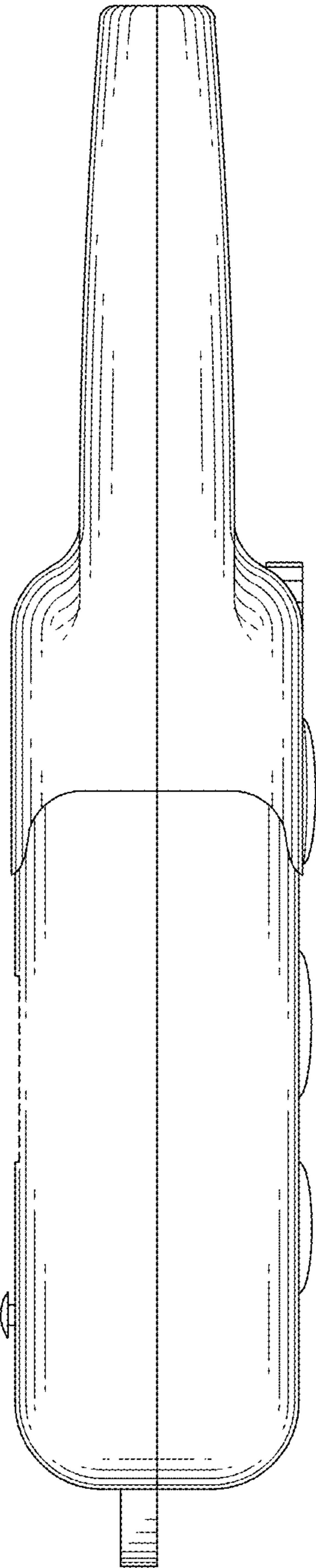


FIG. 5

