



US00D771326S

(12) **United States Design Patent** (10) **Patent No.:** **US D771,326 S**
Lai (45) **Date of Patent:** **** Nov. 8, 2016**

(54) **PET TOY**
(71) Applicant: **Chia-Sheng Lai**, Taipei (TW)
(72) Inventor: **Chia-Sheng Lai**, Taipei (TW)
(**) Term: **14 Years**
(21) Appl. No.: **29/513,135**
(22) Filed: **Dec. 27, 2014**
(51) **LOC (10) Cl.** **30-99**
(52) **U.S. Cl.**
USPC **D30/160**
(58) **Field of Classification Search**
USPC D30/160, 121; D24/211–212, 194–195;
D21/405–408, 475–476, 713
CPC A01K 15/025; A01K 15/026; A01K
15/027; A01K 5/0114; A61J 17/00; A61H
13/00; A61H 15/0078; A61H 15/0092;
A61H 2201/0207
See application file for complete search history.

(56) **References Cited**

U.S. PATENT DOCUMENTS

2,103,083	A *	12/1937	Lynch	A46B 1/00 D30/160
D256,958	S *	9/1980	Markham	D30/160
D307,339	S *	4/1990	Markham	D30/160
D333,937	S *	3/1993	Prosser	D30/160
D407,868	S *	4/1999	Axelrod	D30/160
D435,660	S *	12/2000	Yoo	D24/211
D453,400	S *	2/2002	Kaplan	D30/160
D462,487	S *	9/2002	Axelrod	D30/160
D473,683	S *	4/2003	Willinger	D30/160
D497,457	S *	10/2004	Willinger	D24/211
7,017,523	B2 *	3/2006	Handelsman	A01K 15/026 119/707
D540,496	S *	4/2007	Axelrod	D30/160
D544,655	S *	6/2007	Hass	D30/160
D564,714	S *	3/2008	Axelrod	D30/160
D583,519	S *	12/2008	Roberts	D32/29.1

D643,540	S *	8/2011	Jian	D24/211
D658,825	S *	5/2012	Wolfe, Jr.	D30/160
D680,698	S *	4/2013	McWilliams	D30/121
D712,469	S *	9/2014	Riddle	D19/59
D742,601	S *	11/2015	Holterhaus	D30/121
2004/0244719	A1 *	12/2004	Jager	A01K 15/026 119/709

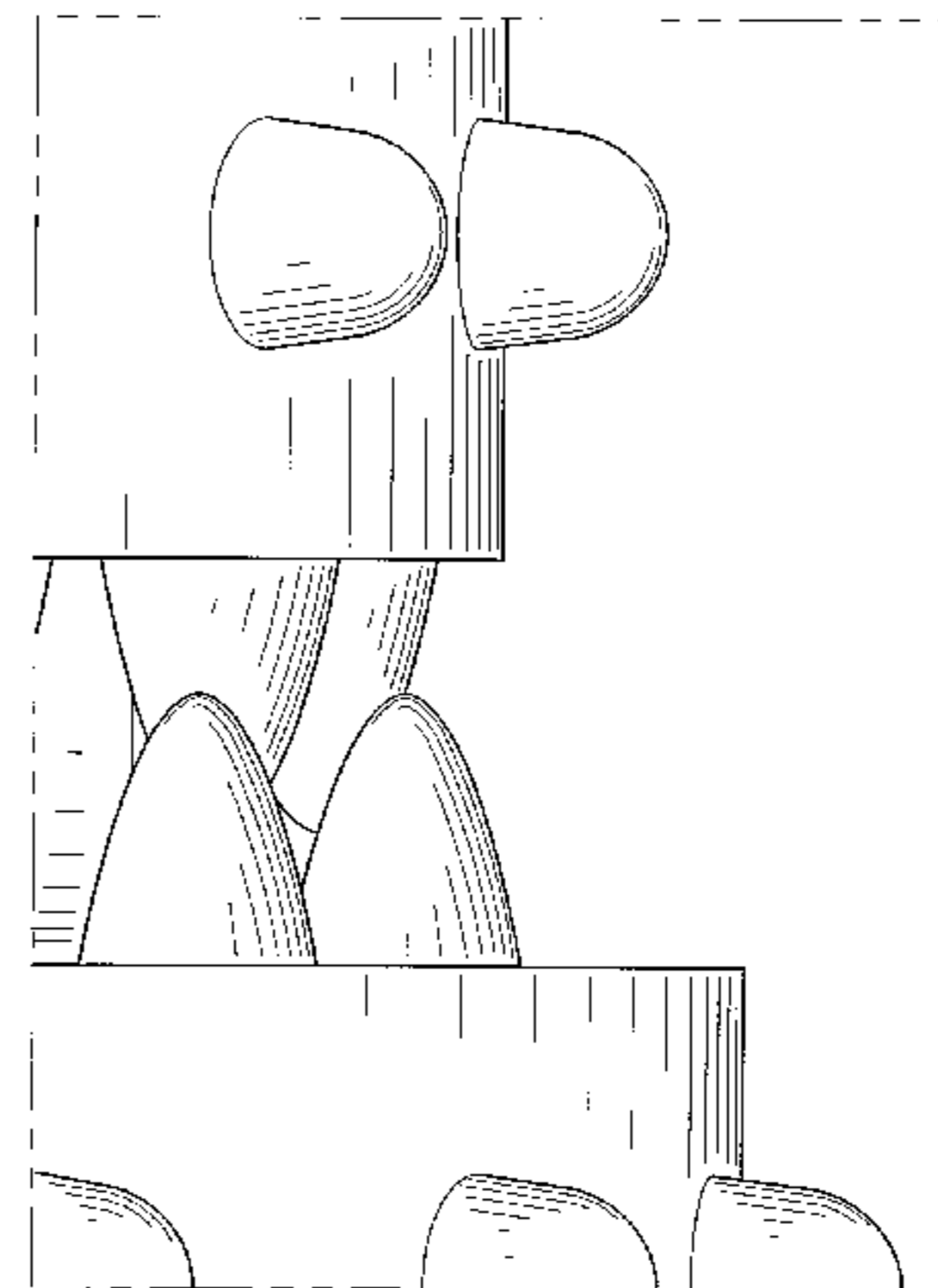
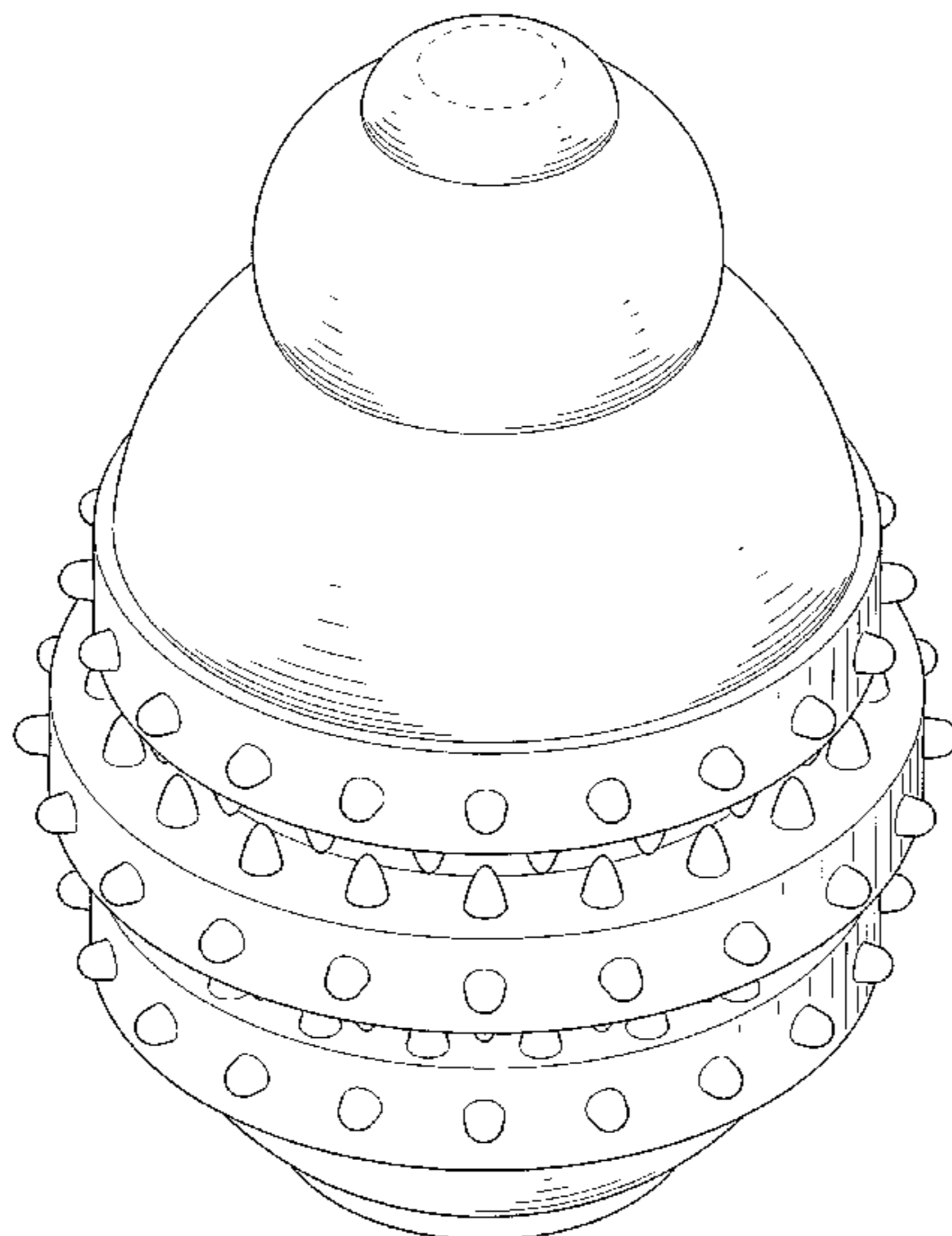
* cited by examiner
Primary Examiner — Cathy Anne MacCormac
(74) *Attorney, Agent, or Firm* — Alan D. Kamrath;
Kamrath IP Lawfirm, P.A.

(57) **CLAIM**
The ornamental design for a pet toy, as shown.

DESCRIPTION

FIG. 1 is a perspective view of a pet toy showing my new design;
FIG. 2 is a front view thereof;
FIG. 3 is a rear view thereof;
FIG. 4 is a left side view thereof;
FIG. 5 is a right side view thereof;
FIG. 6 is a top view thereof;
FIG. 7 is a bottom view thereof;
FIG. 8 is another perspective view thereof;
FIG. 9 is an enlarged detail view showing a connecting part between upper and middle sections according to Rectangular Area 9 circumscribed within FIG. 2; and,
FIG. 10 is an enlarged detail view showing a connecting part between lower and middle sections according to Rectangular Area 10 circumscribed within FIG. 2.
The evenly spaced broken lines depict environmental subject matter, are shown for illustrative purposes only and form no part of the claimed design.
The line-dot-line broken lines that circumscribe the Rectangular Area on FIGS. 2, 9 and 10 depict environmental subject matter, are shown for illustrative purposes only and form no part of the claimed design.

1 Claim, 10 Drawing Sheets



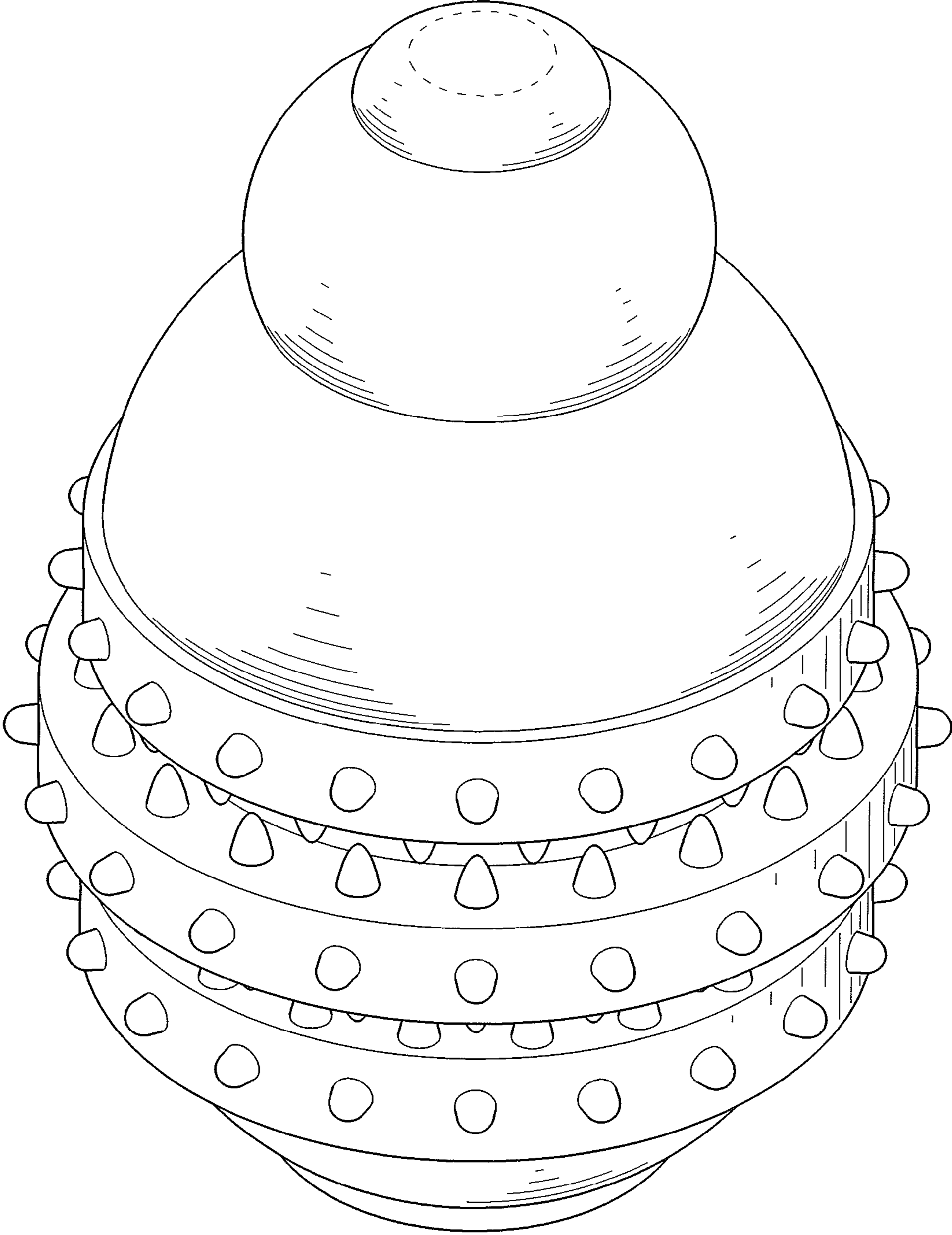


FIG.1

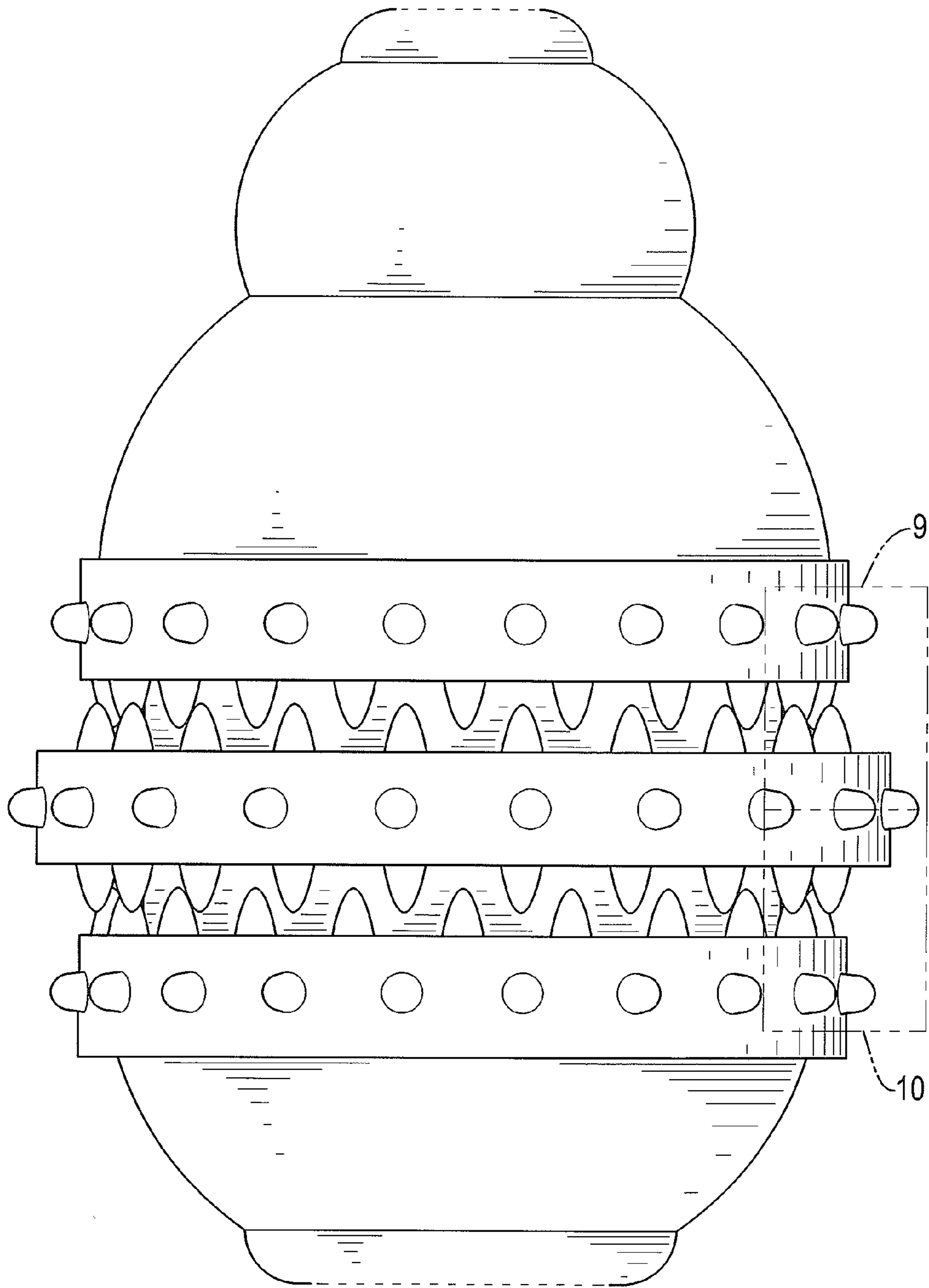


FIG. 2

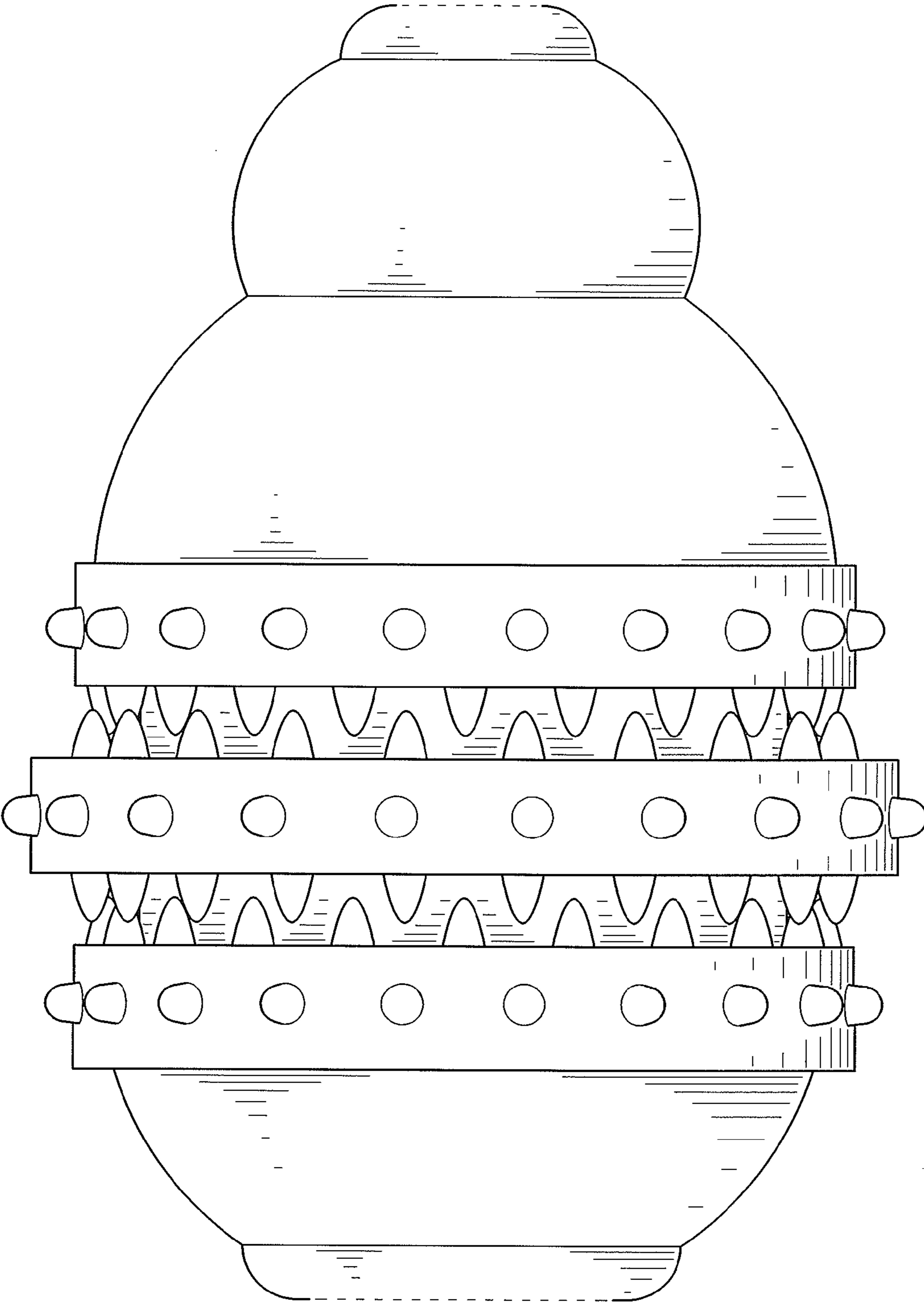


FIG.3

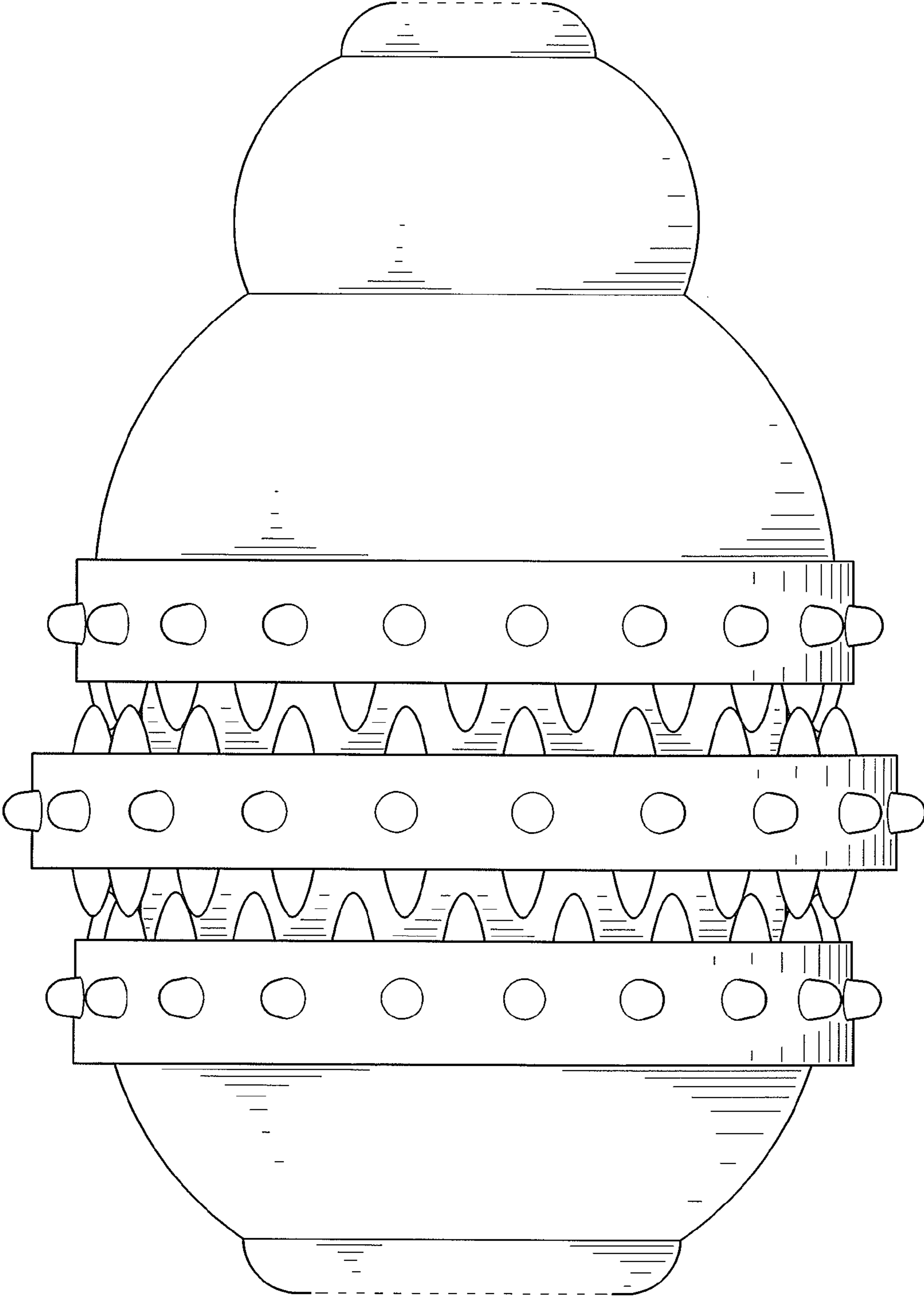


FIG.4

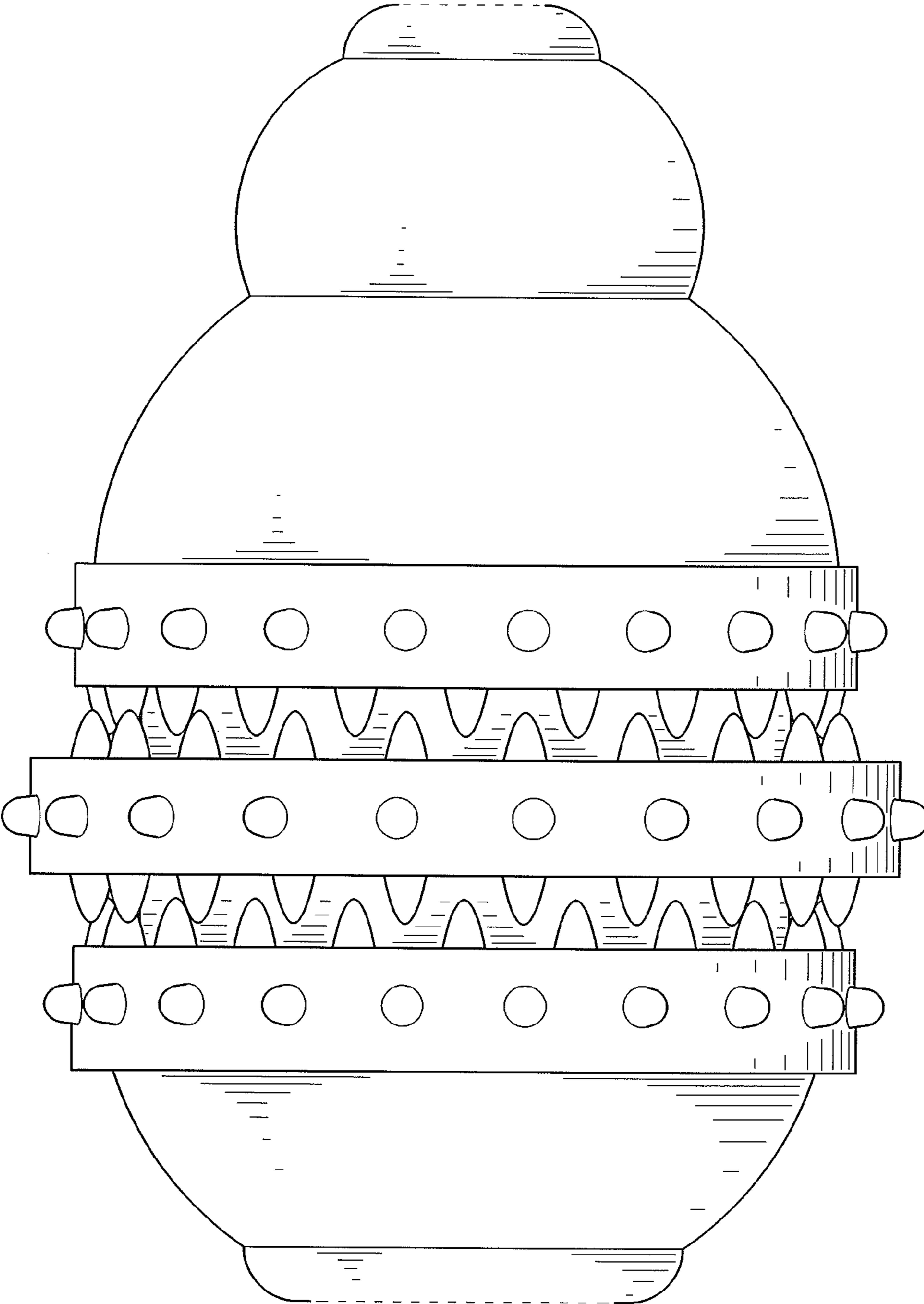


FIG.5

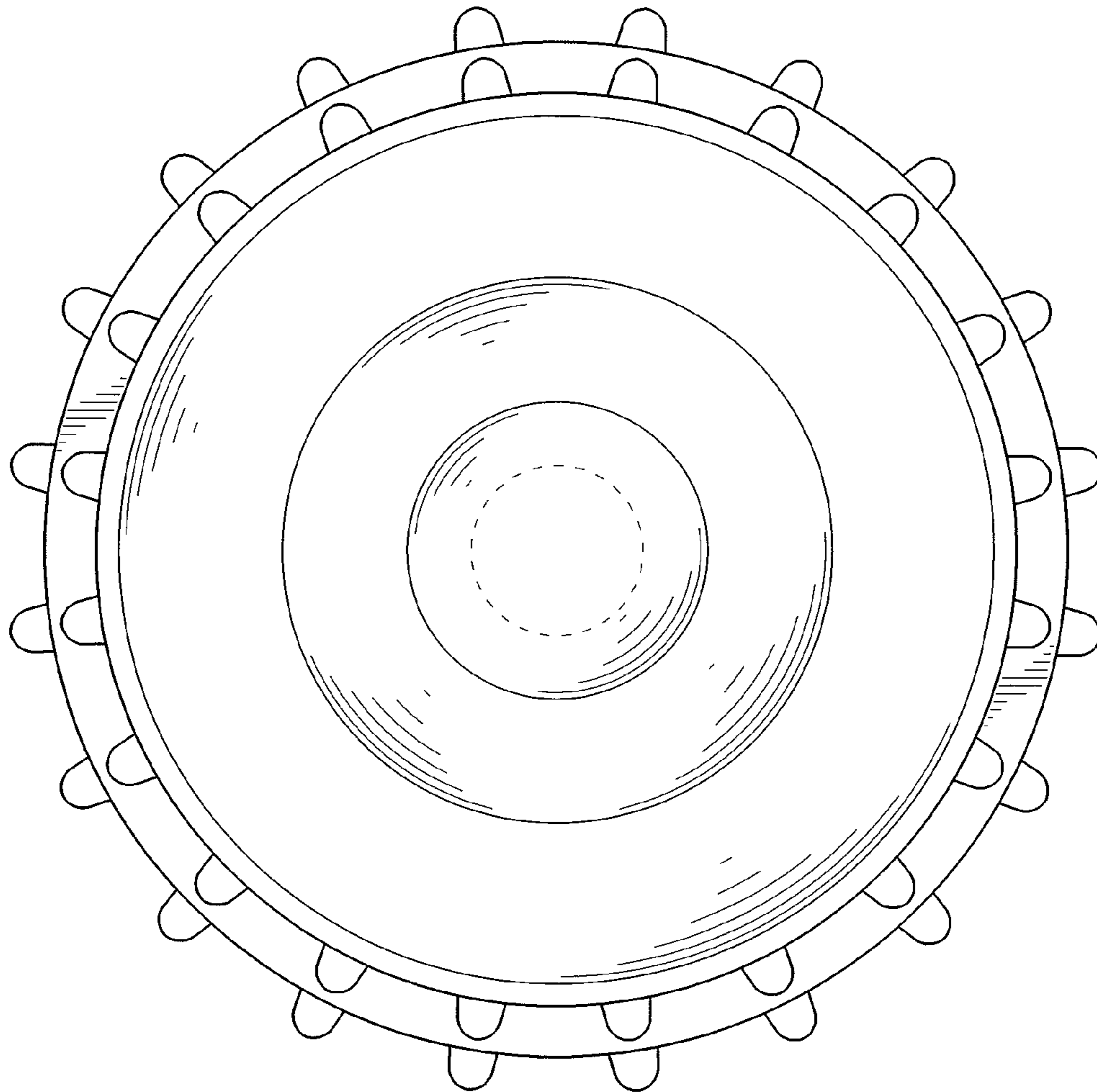


FIG.6

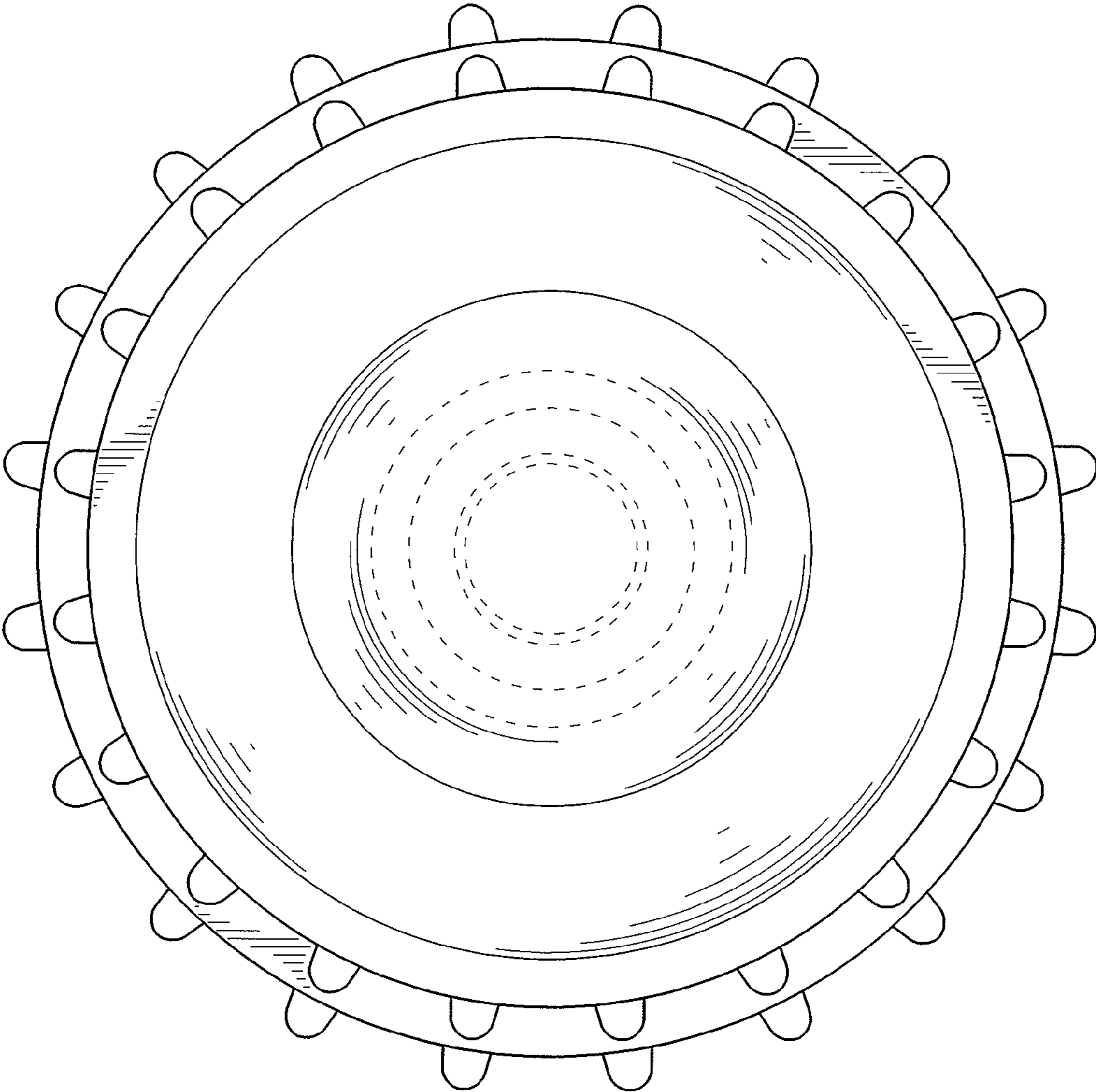


FIG.7

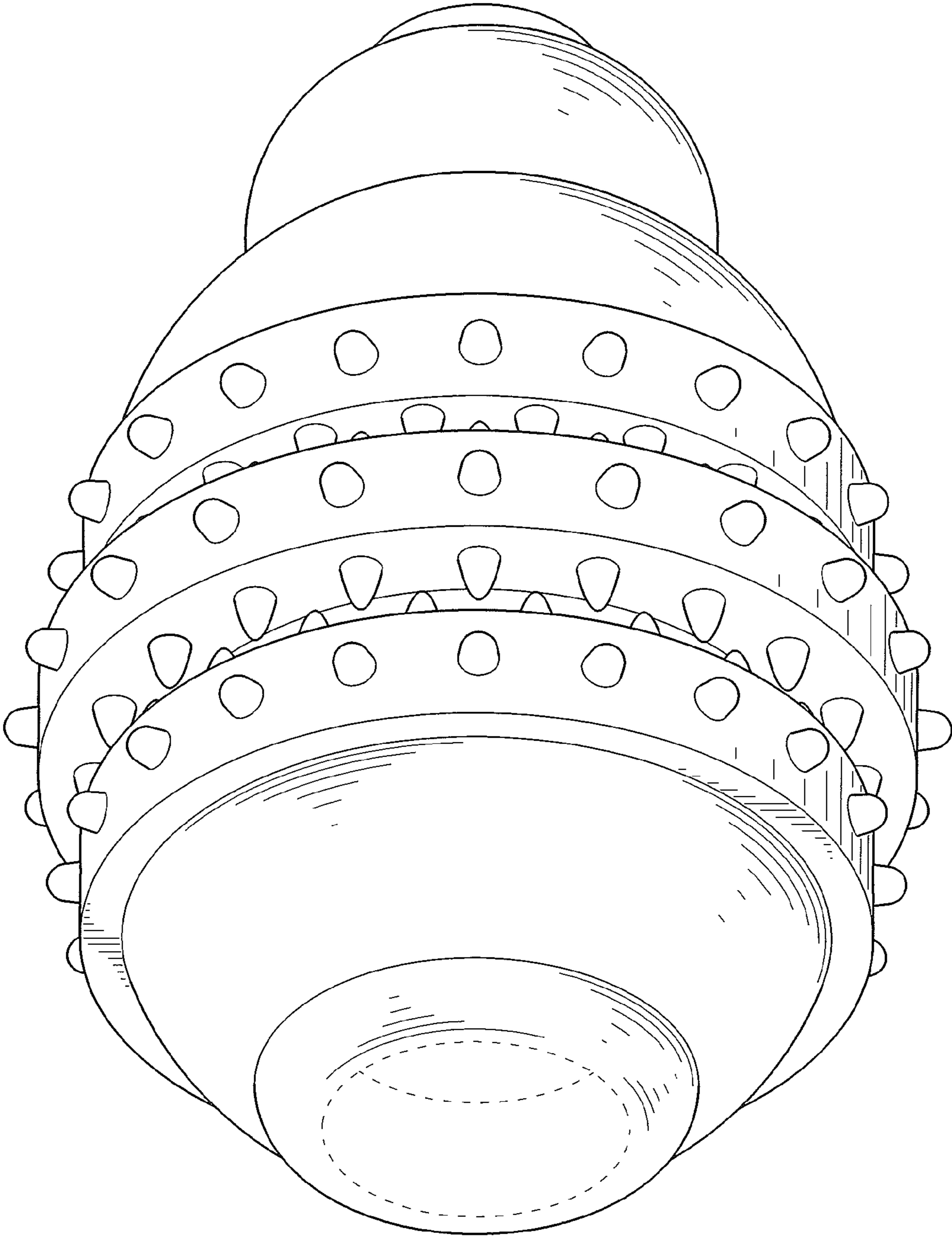


FIG.8

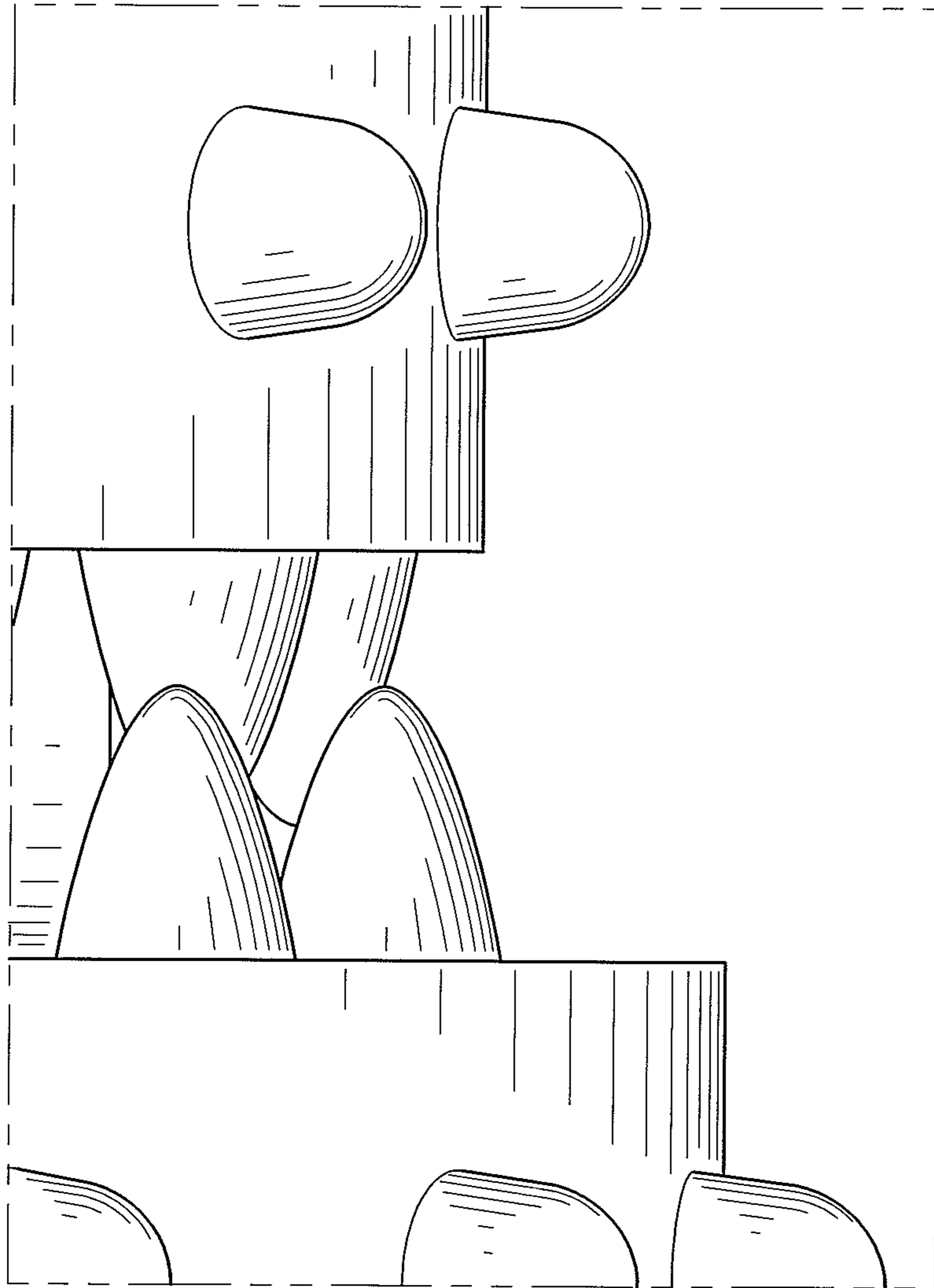


FIG.9

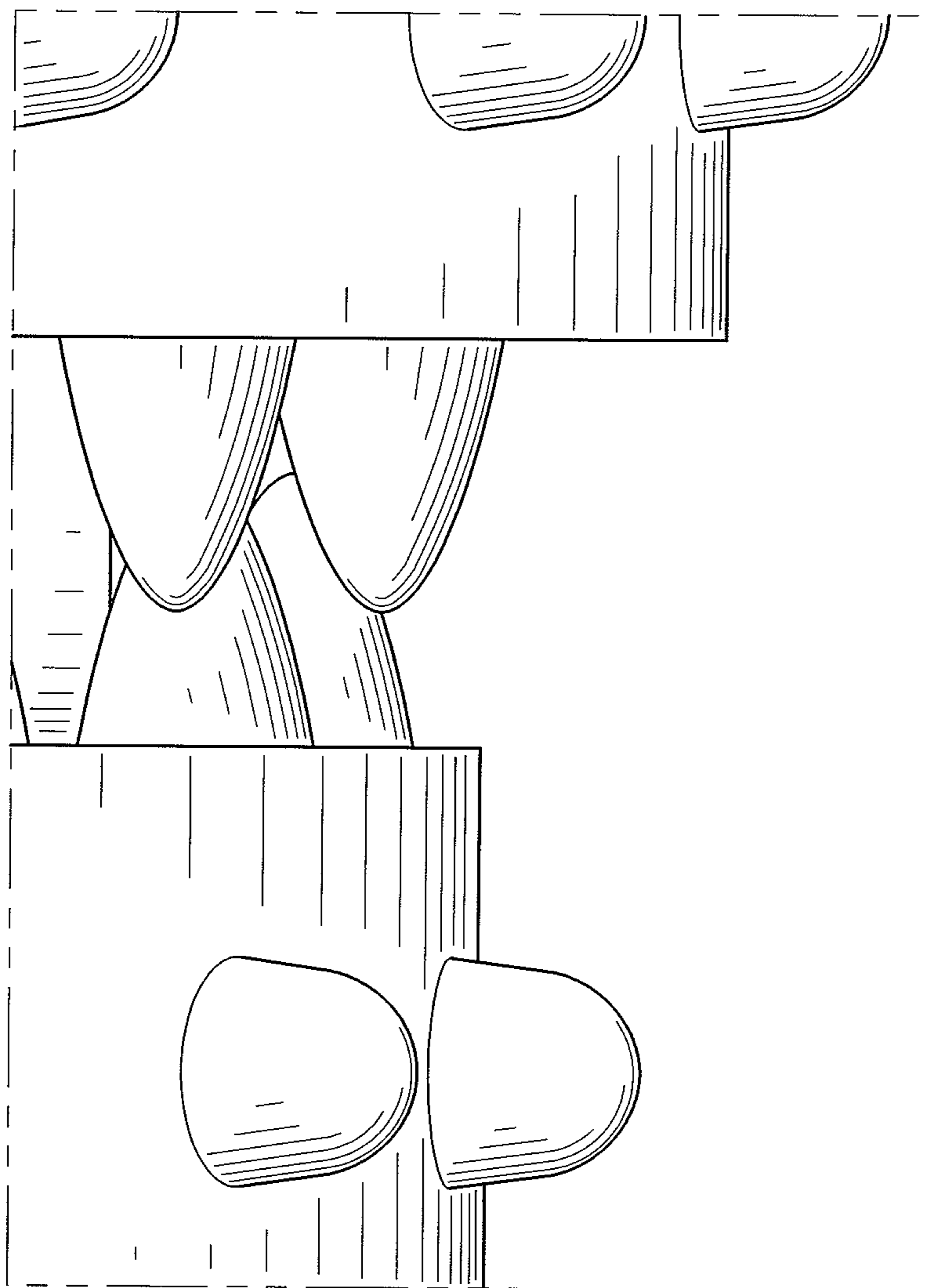


FIG.10