



US00D771323S

(12) **United States Design Patent** (10) **Patent No.:** **US D771,323 S**
Whitefield (45) **Date of Patent:** **** Nov. 8, 2016**

(54) **PET LEASH POUCH SET**

(71) Applicant: **Carol Whitefield**, De Pere, WI (US)

(72) Inventor: **Carol Whitefield**, De Pere, WI (US)

(**) Term: **14 Years**

(21) Appl. No.: **29/510,442**

(22) Filed: **Nov. 27, 2014**

(51) **LOC (10) Cl.** **30-04**

(52) **U.S. Cl.**
USPC **D30/153**

(58) **Field of Classification Search**

USPC D30/144, 151, 152, 153, 199; D3/231;
D8/300, 305, 308, 313; D15/18;
119/712, 720, 769, 770, 776, 792, 794,
119/795, 796, 797, 798; 441/69; 242/377,
242/381.2

CPC A01K 27/003; A01K 27/004
See application file for complete search history.

(56) **References Cited**

U.S. PATENT DOCUMENTS

D258,098 S *	2/1981	Norinsky	D3/231
D292,847 S *	11/1987	Barker	D3/231
D313,677 S *	1/1991	Hammon	D30/152
5,718,192 A *	2/1998	Sebastian	A01K 27/006 119/795
D425,266 S *	5/2000	Rubinstein	D30/153
6,199,737 B1 *	3/2001	Ringelstetter	E01H 1/1206 150/108
D492,454 S *	6/2004	Saunders	D30/153
D527,495 S *	8/2006	Bird	D30/153
D607,638 S *	1/2010	Hensley	D3/231
D619,358 S *	7/2010	Dillard	D3/243
2003/0111022 A1 *	6/2003	Woolley	A01K 27/004 119/868
2006/0054107 A1 *	3/2006	Baker	A01K 27/006 119/795
2015/0257370 A1 *	9/2015	Craig	A01K 27/008 224/218

OTHER PUBLICATIONS

“Poo Bag Pouches”. Found online Apr. 14, 2016 at auburndirect.com. Page dated Nov. 31, 2014. Retrieved from <http://web.archive.org/web/20141130002838/http://www.auburndirect.com/Toys-Accessories/PooBagPouch.php>.*

“Going to the Dogs—In Style!” Found online Apr. 14, 2016 at community.annthegran.com. Page dated Mar. 29, 2013. Retrieved from <http://community.annthegran.com/post/2013/03/29/going-to-the-dogs-in-style!>.*

“Flexi Leash Accessory Bag”. Found online Apr. 14, 2016 at amazon.com. Page dated Jan. 16, 2007. Retrieved from http://www.amazon.com/Flexi-LB-Leash-Accessory-Bag-Black/dp/B0002DH396/ref=cm_cr_arp_d_product_top?ie=UTF8.*

“Outward Hound Kyjen Leash Mate”. Found online Apr. 13, 2016 at amazon.com. Page dated Sep. 12, 2012. Retrieved from http://www.amazon.com/Kyjen-2532-Accessary-Easy-Attach-Convenience/dp/B0081XIMSK/ref=cm_cr_arp_d_product_top?ie=UTF8.*

* cited by examiner

Primary Examiner — Robert M Spear

Assistant Examiner — Kendra L Hamilton

(74) *Attorney, Agent, or Firm* — Rathe Lindenbaum LLP

(57) **CLAIM**

I claim the ornamental design for a pet leash pouch set, as shown and described.

DESCRIPTION

FIG. 1 is a front-top-left perspective view of a pet leash pouch set, showing my new design;

FIG. 2 is a top-left perspective view of a pet leash pouch set, shown separated for clarity of disclosure;

FIG. 3 is a front elevational view of the pet leash pouch set of FIG. 1;

FIG. 4 is a rear elevational view thereof;

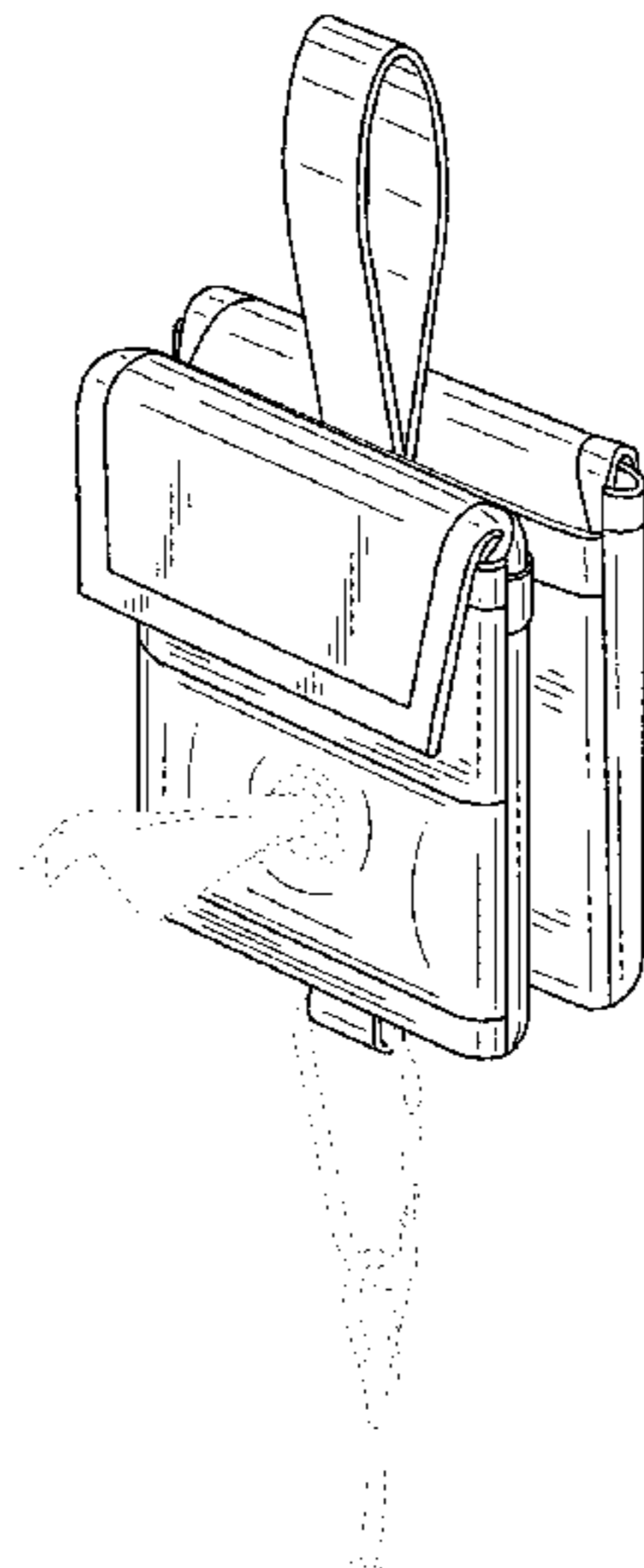
FIG. 5 is a left elevational view thereof;

FIG. 6 is a top plan view thereof; and,

FIG. 7 is a bottom plan view thereof.

The broken line showing of portions of the pet leash pouch set depicts environment and forms no part of the claim.

1 Claim, 5 Drawing Sheets



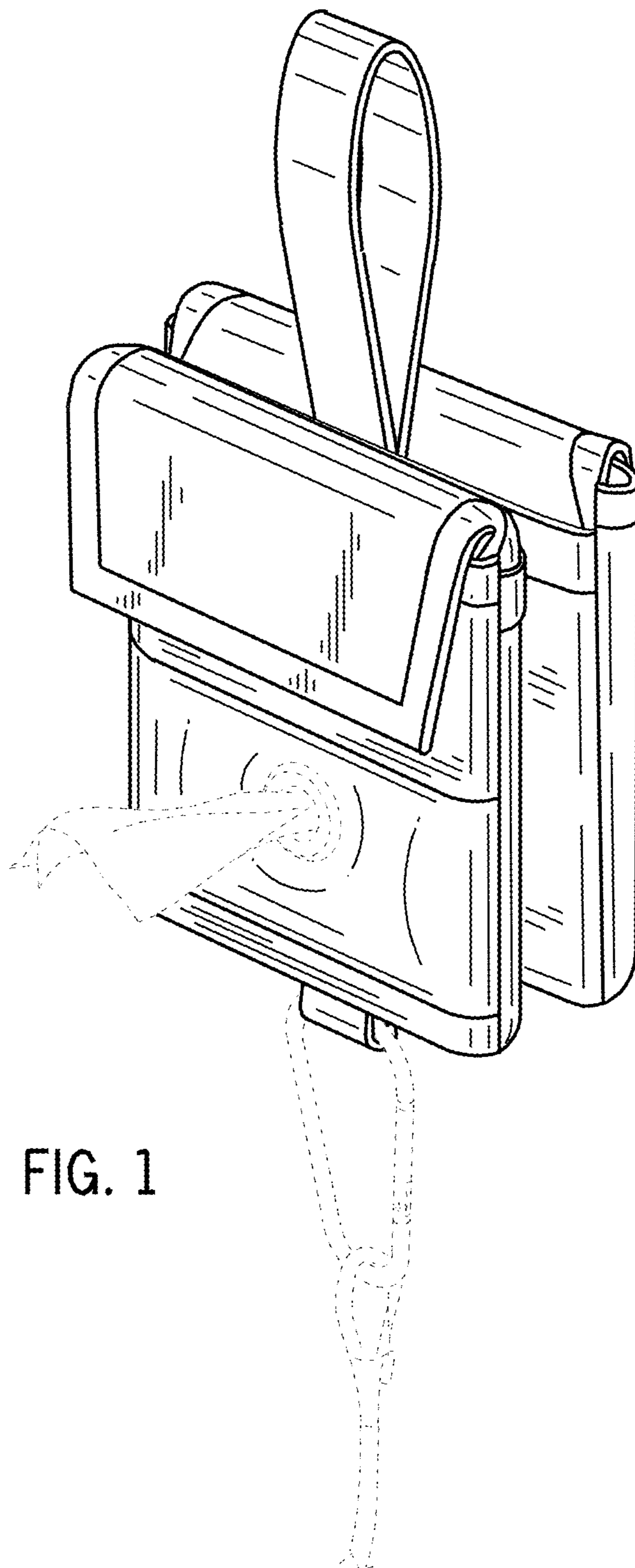


FIG. 1

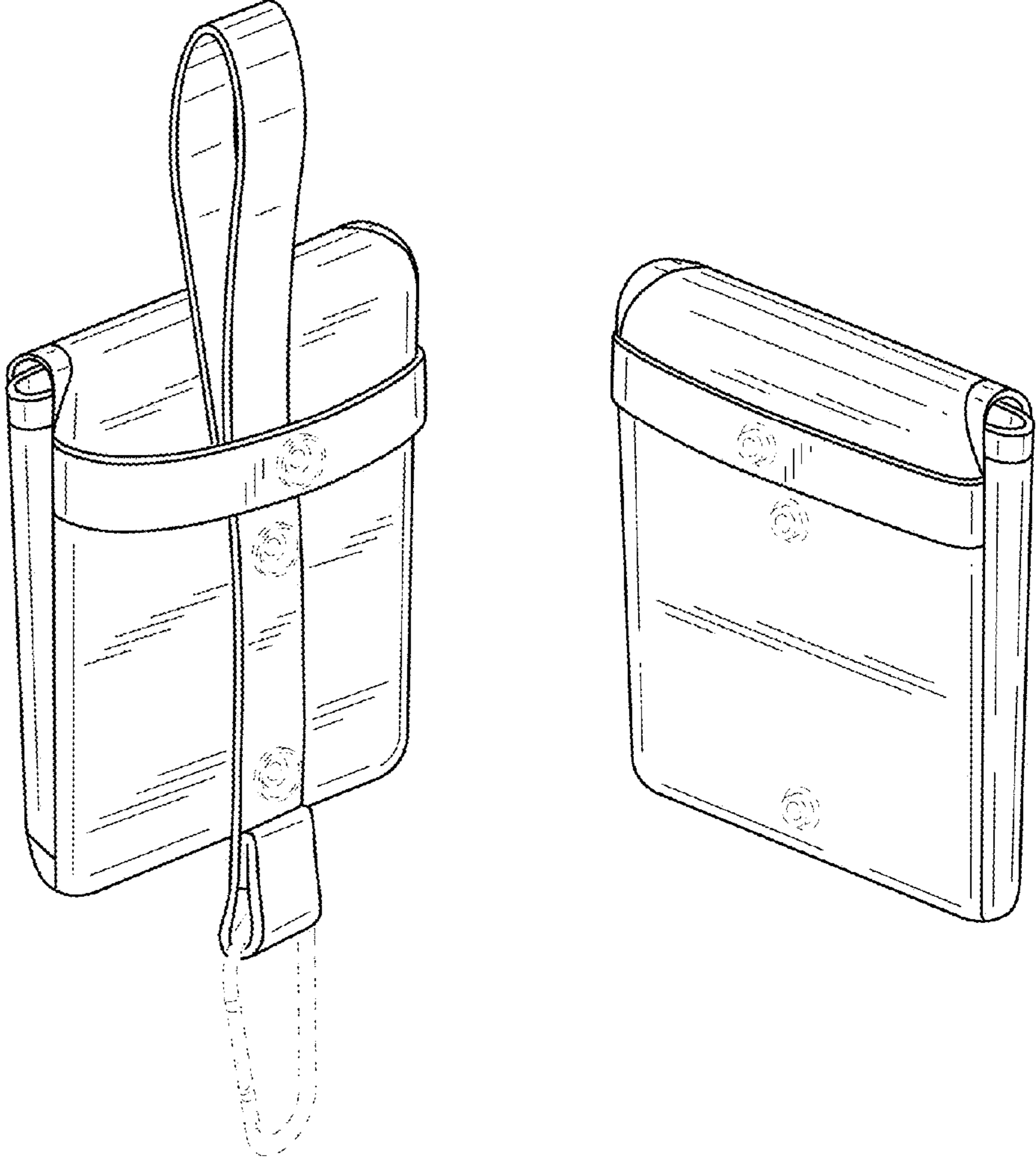


FIG. 2

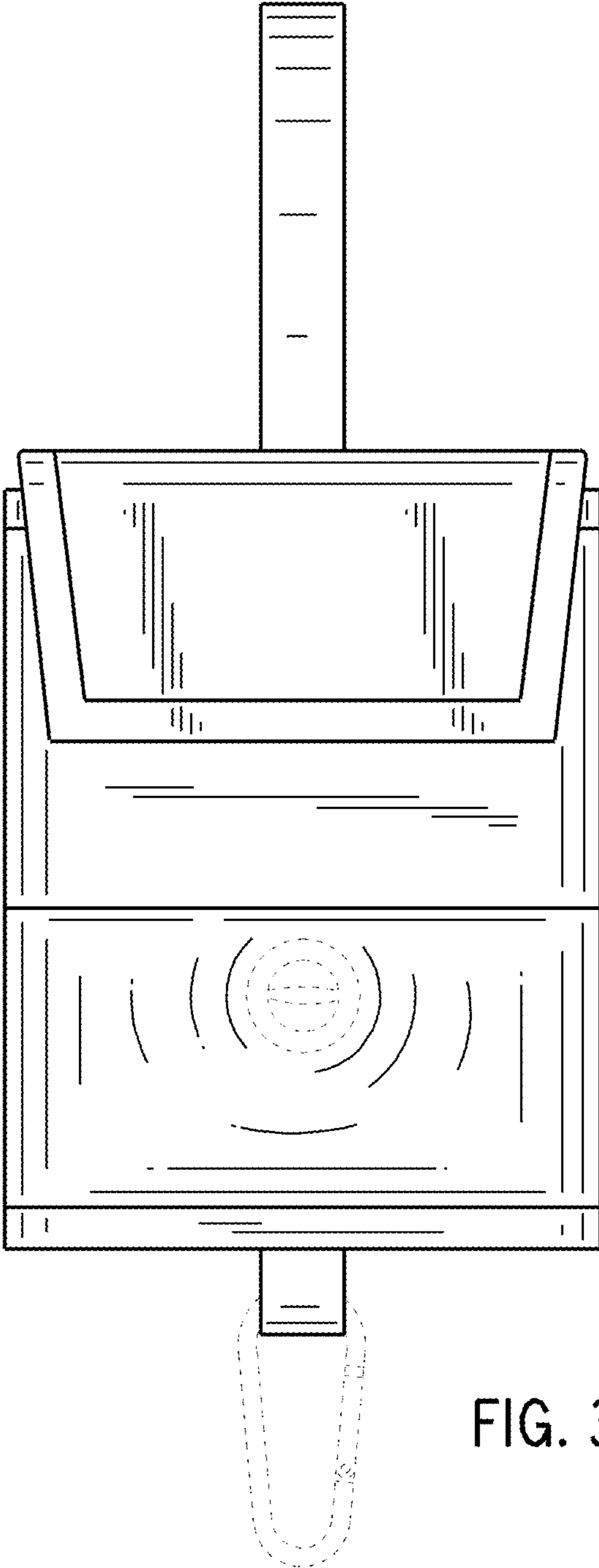


FIG. 3

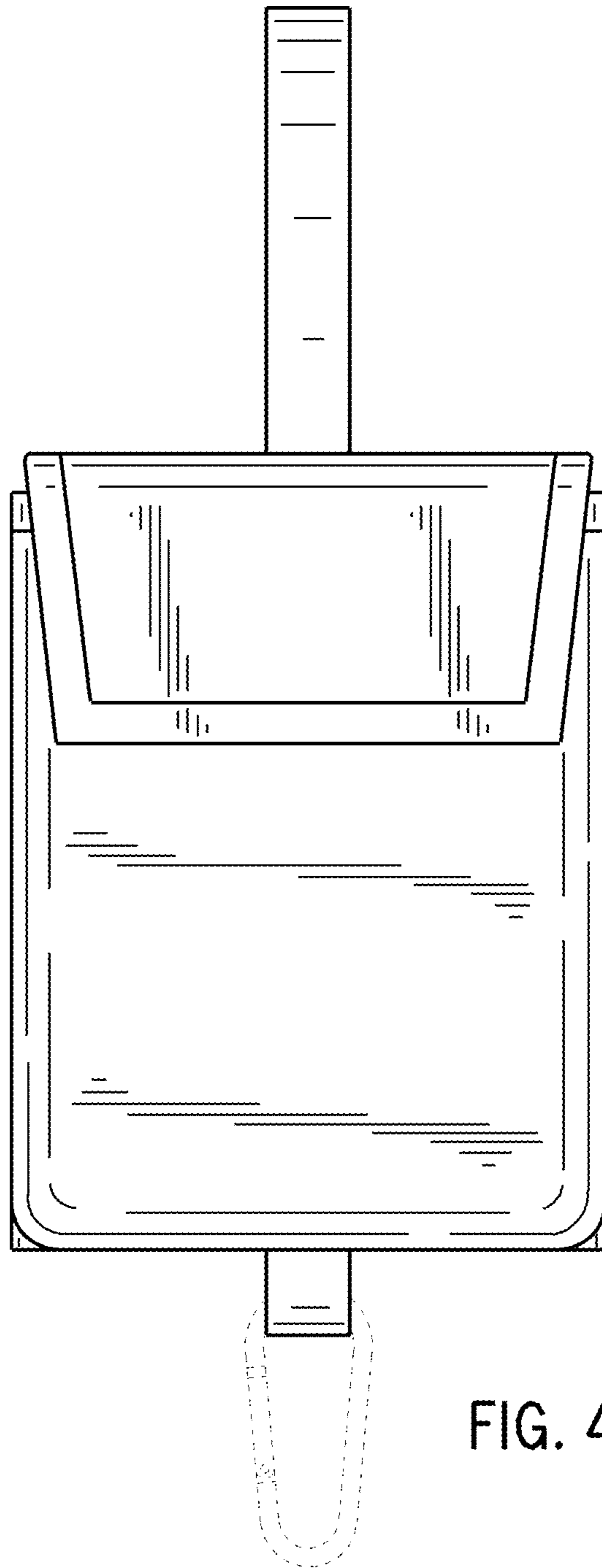


FIG. 4

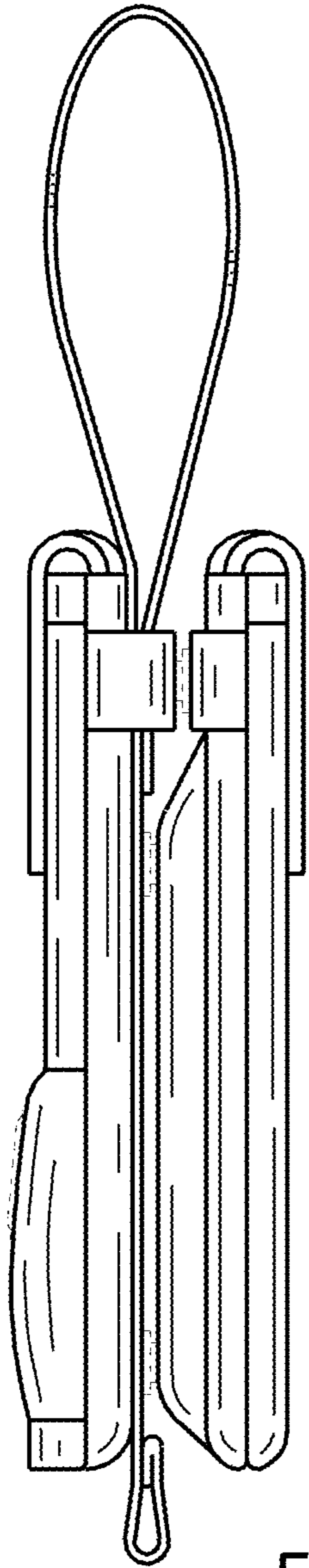


FIG. 5

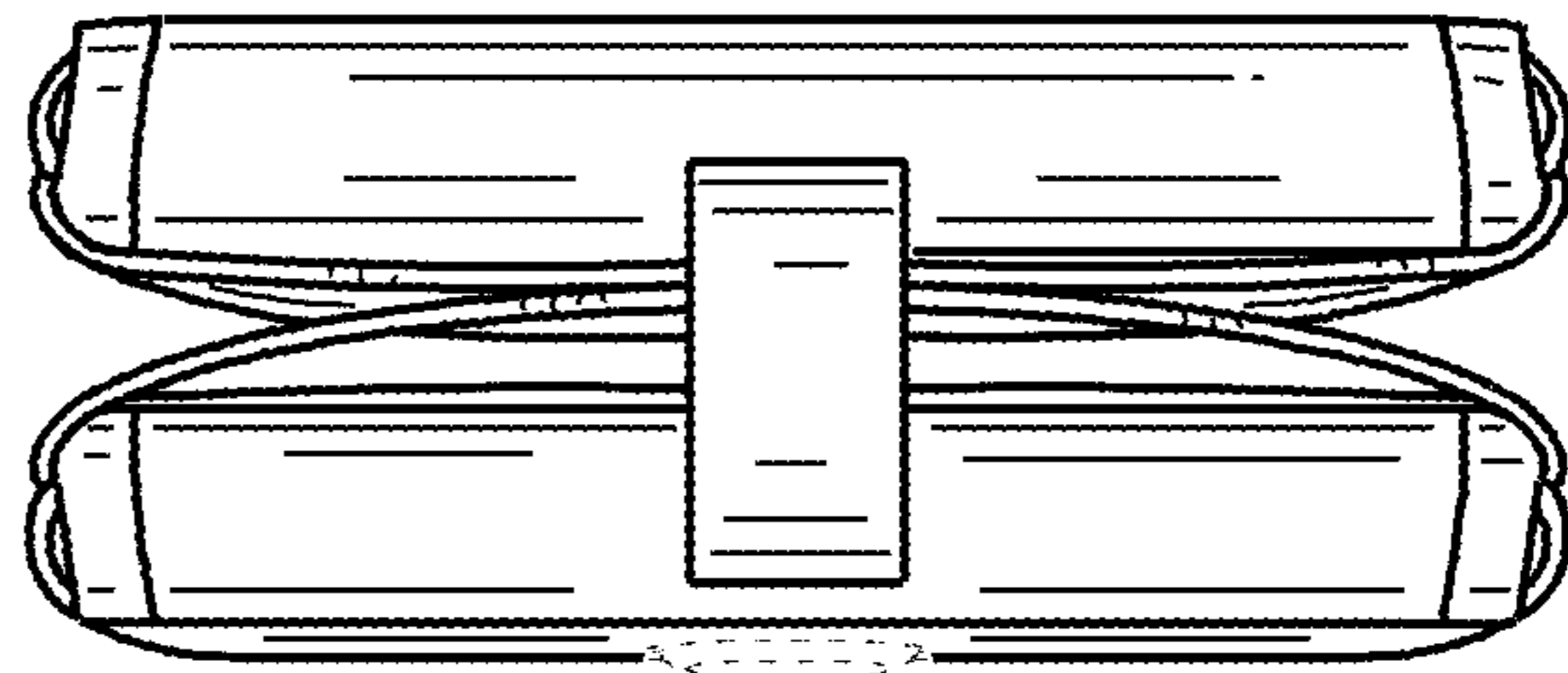


FIG. 6

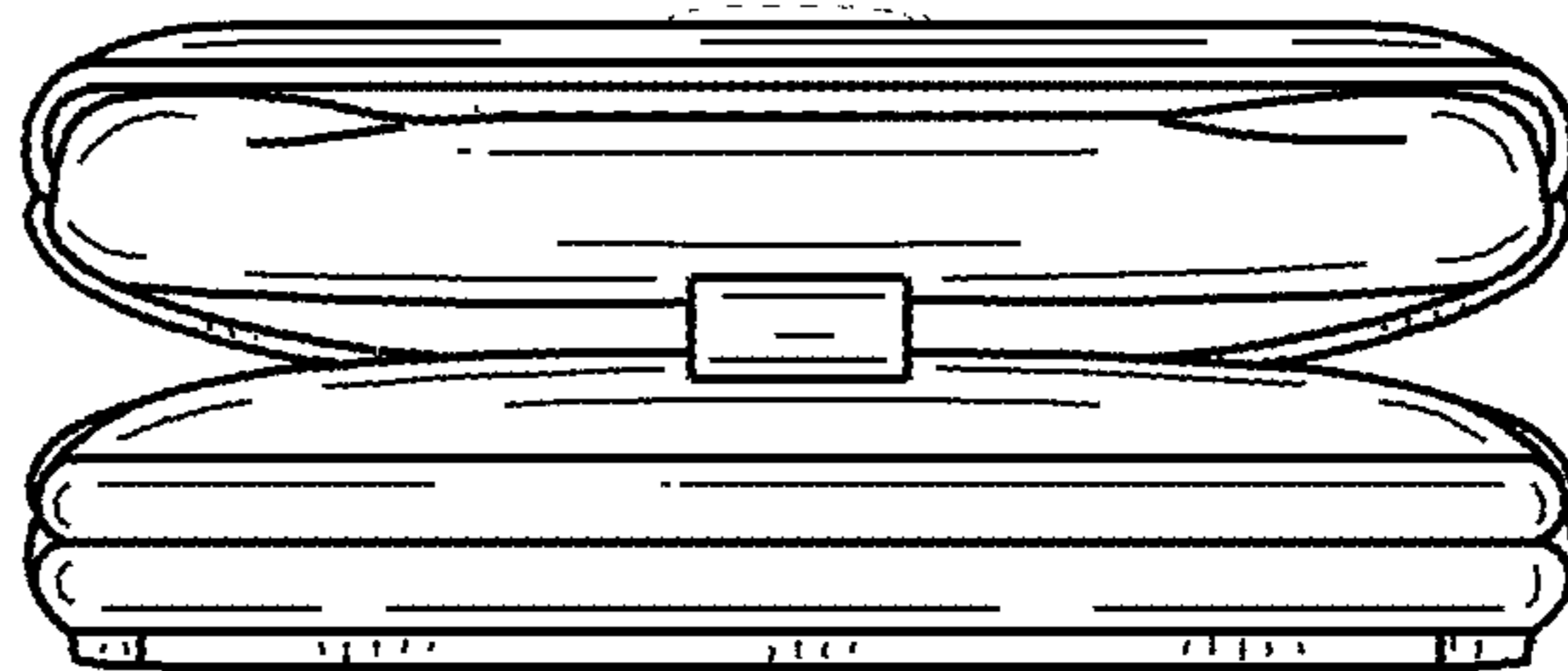


FIG. 7