



US00D771312S

(12) **United States Design Patent** (10) **Patent No.:** **US D771,312 S**
Costanz (45) **Date of Patent:** **** Nov. 8, 2016**

(54) **RAISED BOW** 5,694,955 A * 12/1997 Grooms A45D 2/2435
132/212
(71) Applicant: **Teresa Costanz**, Highland Mills, NY D421,665 S * 3/2000 Farmer-Abney D11/184
(US) D463,899 S * 10/2002 Young D2/875
D475,804 S * 6/2003 Stachowski D28/41
(72) Inventor: **Teresa Costanz**, Highland Mills, NY D618,587 S * 6/2010 Weldon D11/215
(US) D668,815 S * 10/2012 Hsu D28/41
D712,094 S * 8/2014 Branson D28/41
D717,489 S * 11/2014 Haas D28/10
(**) Term: **15 Years** D728,158 S * 4/2015 Beaugureau D28/41
D749,304 S * 2/2016 Woolf D2/878
(21) Appl. No.: **29/544,672** 2014/0130819 A1* 5/2014 Karam A41G 5/0093
132/54

(22) Filed: **Nov. 5, 2015**
(51) **LOC (10) Cl.** **28-03**
(52) **U.S. Cl.**
USPC **D28/41**
(58) **Field of Classification Search**
USPC D28/41, 42, 43, 39, 32, 33; D11/3-6,
D11/74; D2/871, 875, 866; 132/101, 126,
132/128-131, 144, 273, 275
CPC A45D 2008/004; A45D 8/36; A45D 8/00
See application file for complete search history.

* cited by examiner

Primary Examiner — Susan Bennett Hattan
Assistant Examiner — Rebecca Tsehaye
(74) *Attorney, Agent, or Firm* — Michael J. Feigin, Esq.;
Feigin & Fridman

(57) **CLAIM**
The ornamental design for a raised bow, as shown and described.

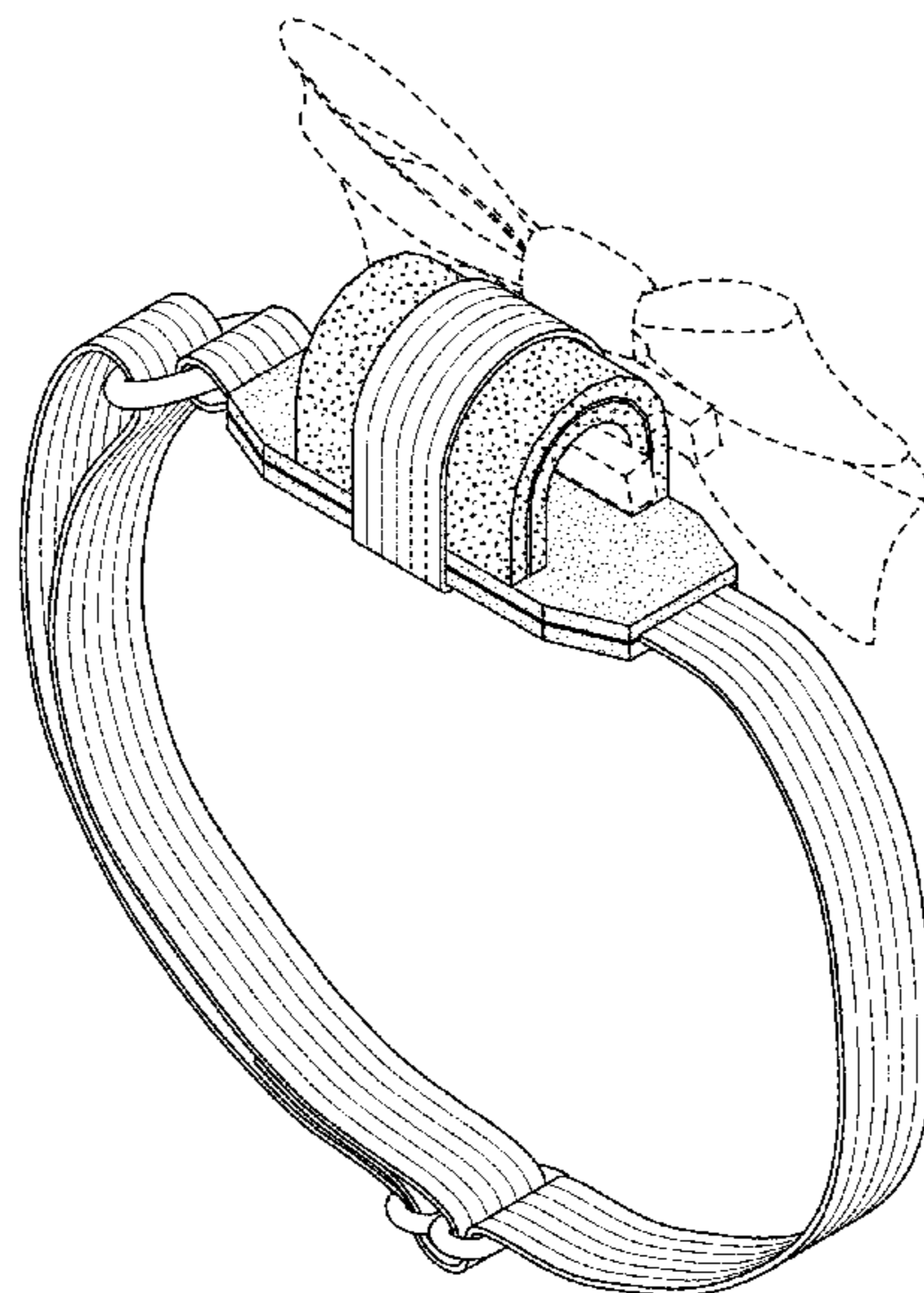
(56) **References Cited**
U.S. PATENT DOCUMENTS

D127,898 S * 6/1941 Behr D11/74
2,795,232 A * 6/1957 Klein A45D 8/34
132/275
3,034,134 A * 5/1962 Peterson A41D 25/04
2/151
5,144,696 A * 9/1992 Kahl A42B 1/041
2/103
5,361,413 A * 11/1994 Schaefer A41D 25/04
2/144
D378,948 S * 4/1997 Ragus D2/866
5,636,384 A * 6/1997 Draughon D04D 7/10
2/151
5,655,224 A * 8/1997 Sears A45D 8/34
132/273

DESCRIPTION

FIG. 1 shows a top and rear side perspective view of a raised bow.
FIG. 2 shows a bottom front side perspective view thereof.
FIG. 3 shows a front side elevation view thereof.
FIG. 4 shows a back side elevation view thereof.
FIG. 5 shows a top plan view thereof.
FIG. 6 shows a bottom plan view thereof.
FIG. 7 shows a right side elevation view thereof; and,
FIG. 8 shows a left side elevation view thereof.
The broken lines in the drawings depict portions of the raised bow that form no part of the claimed design.

1 Claim, 6 Drawing Sheets



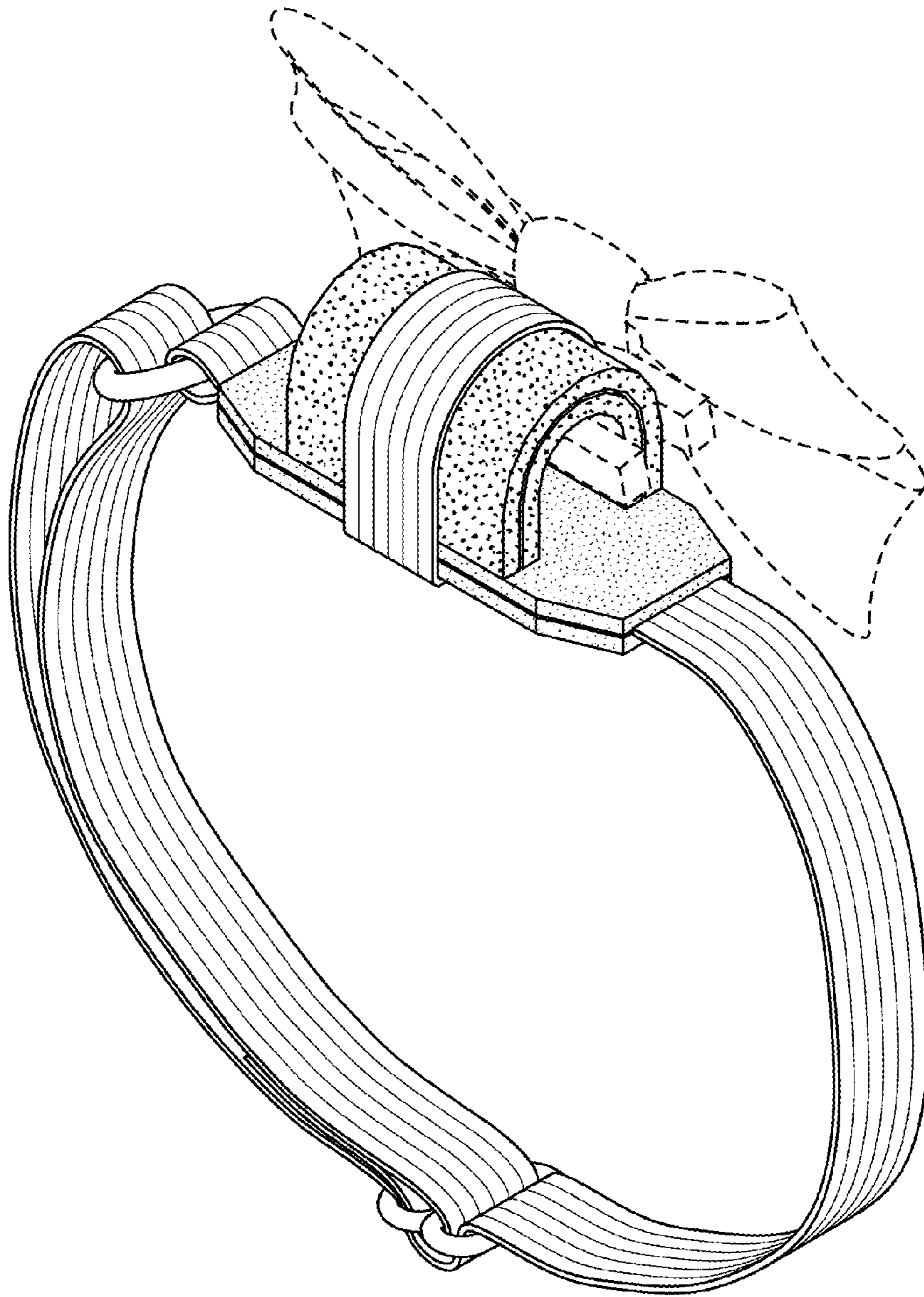


FIG. 1

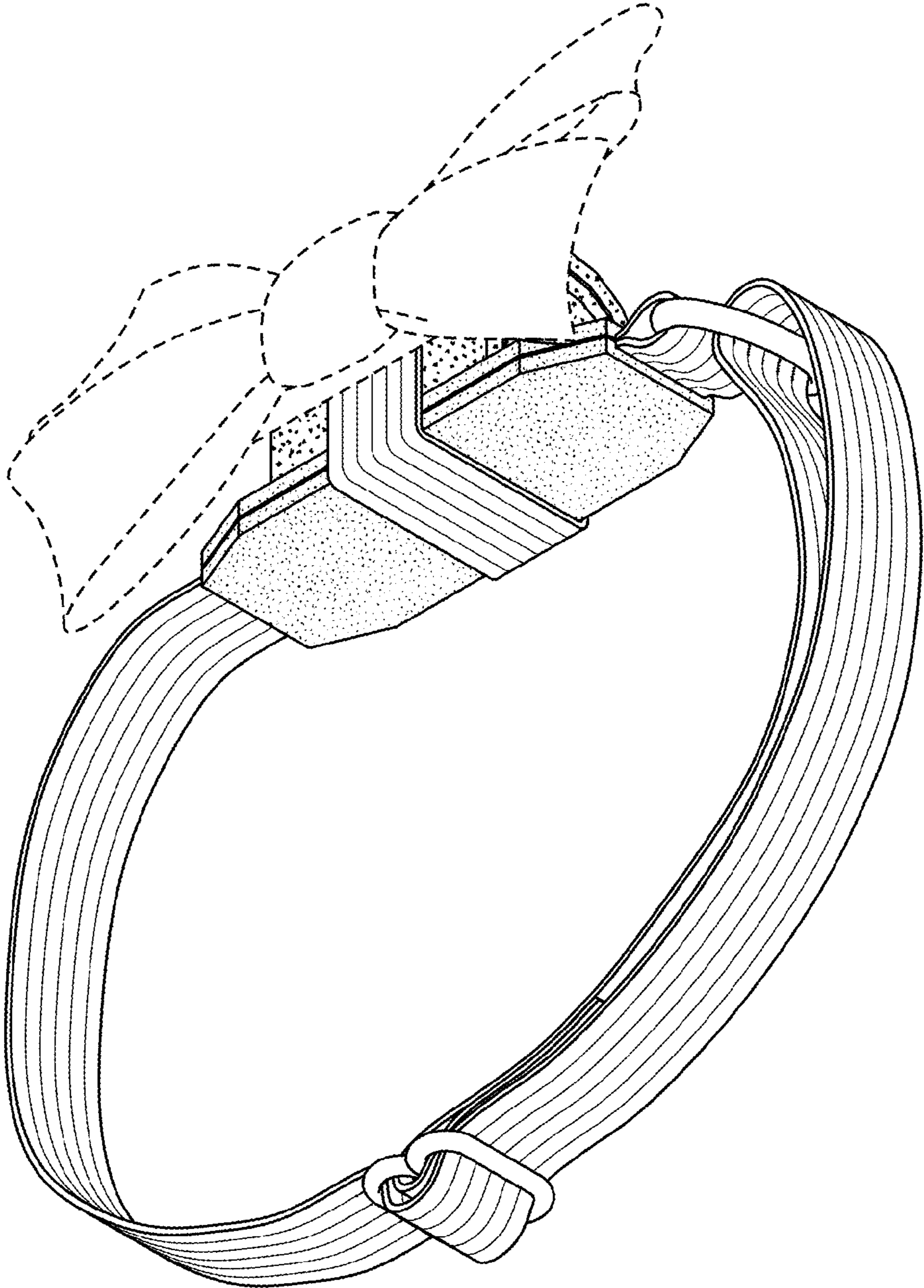


FIG. 2

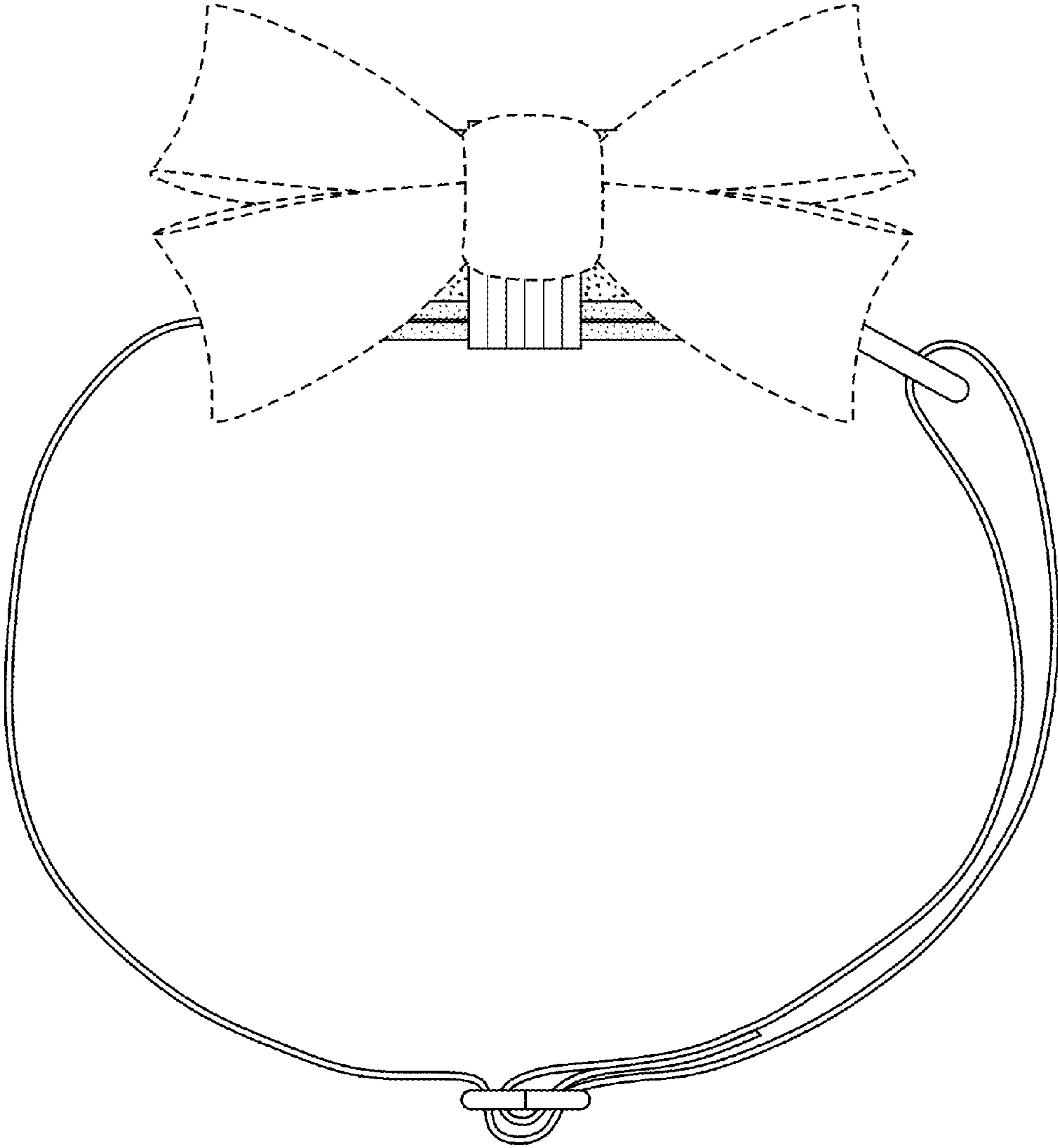


FIG. 3

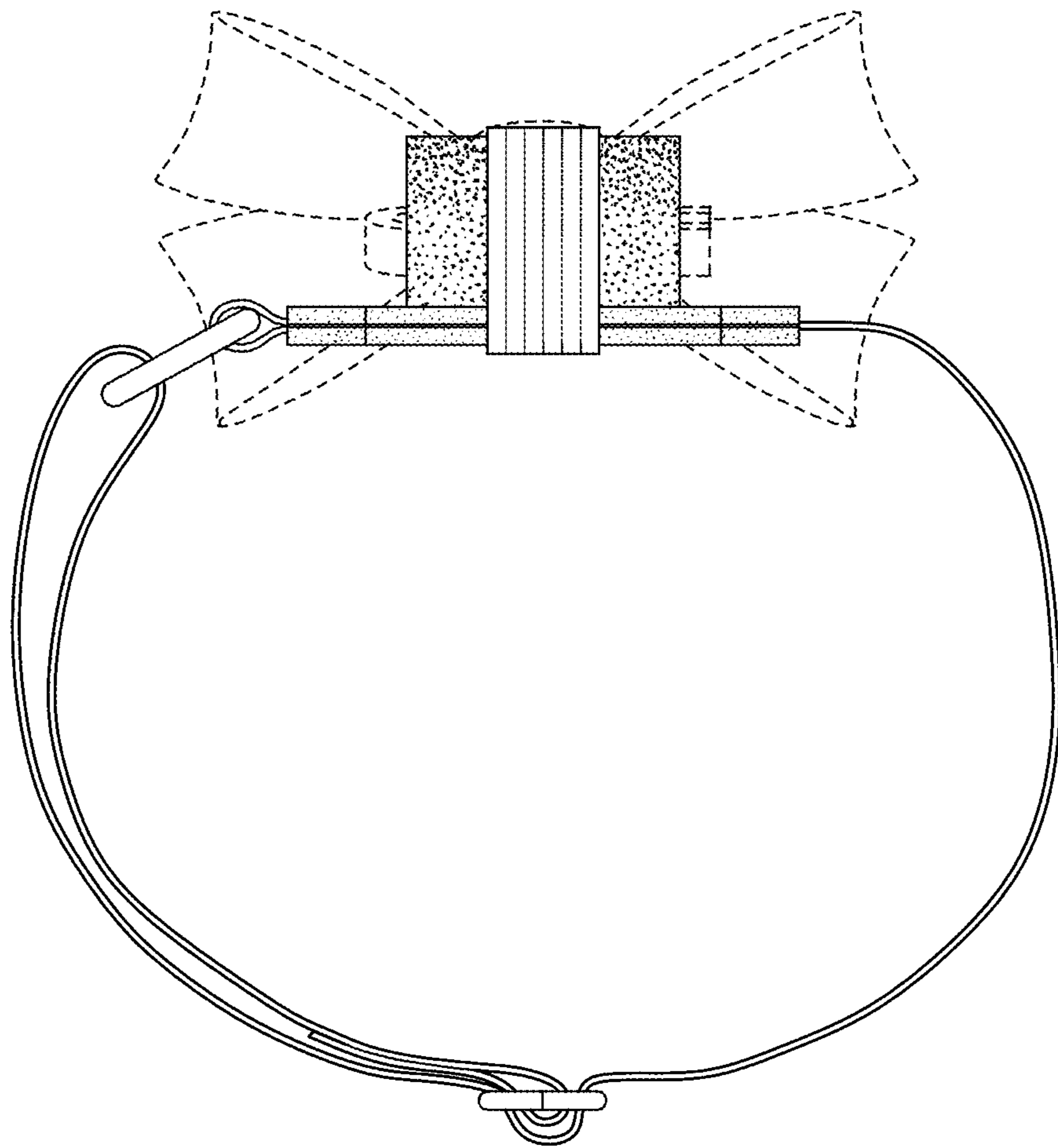


FIG. 4

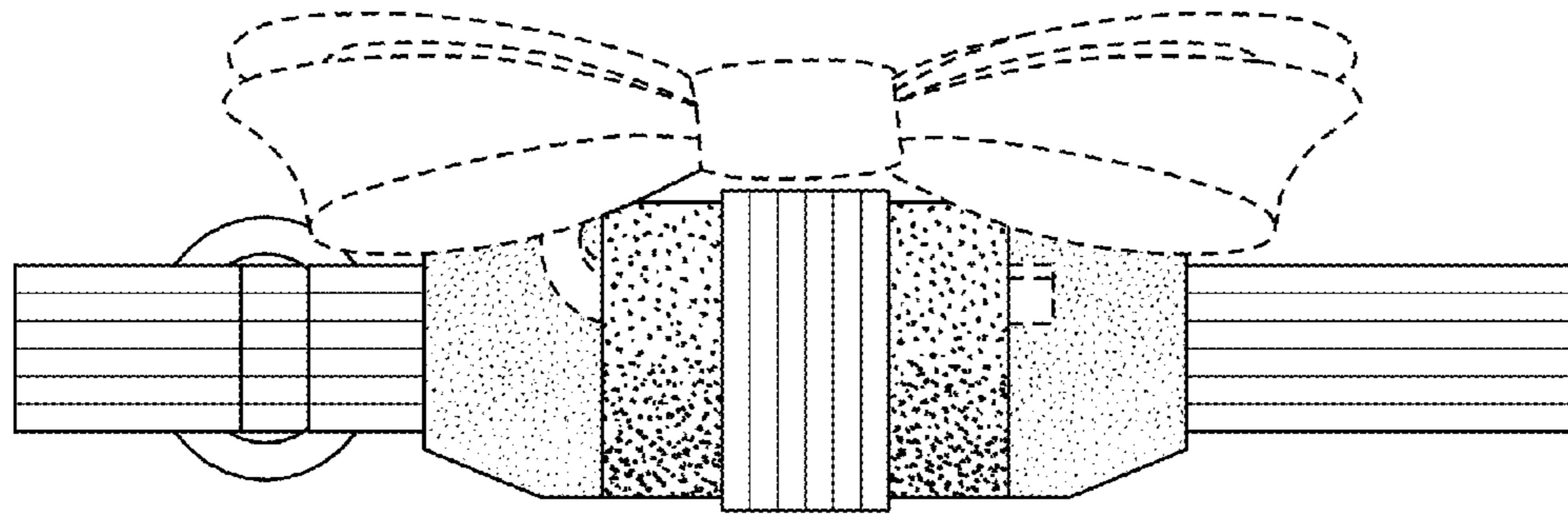


FIG. 5

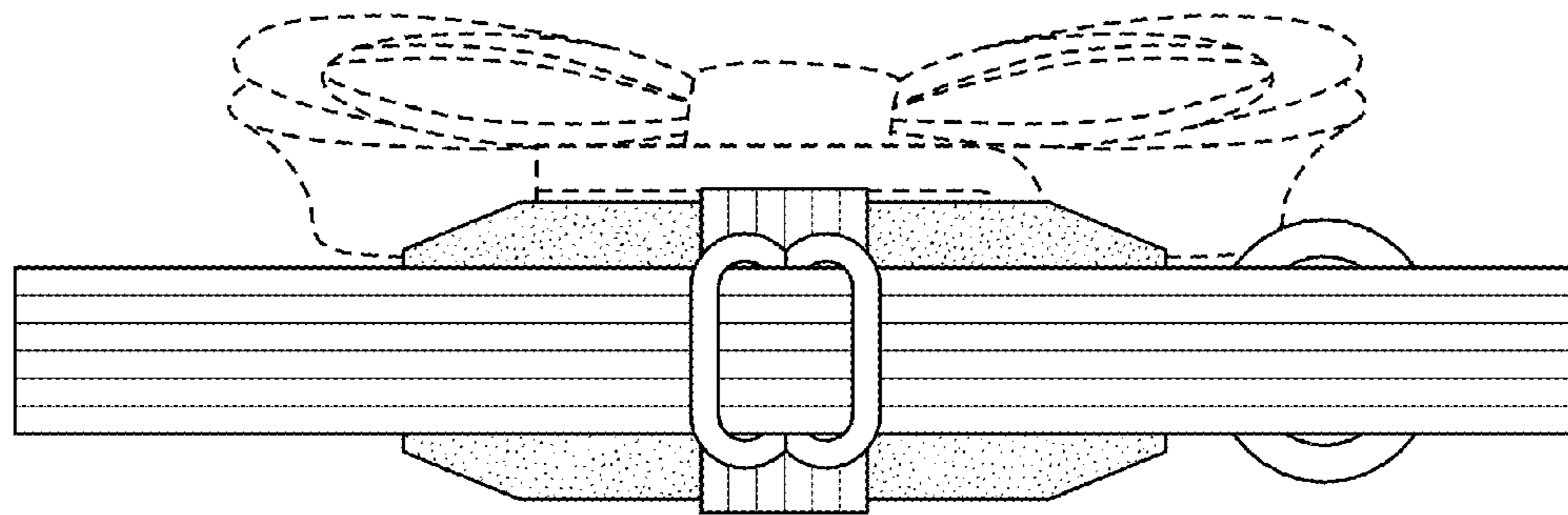


FIG. 6

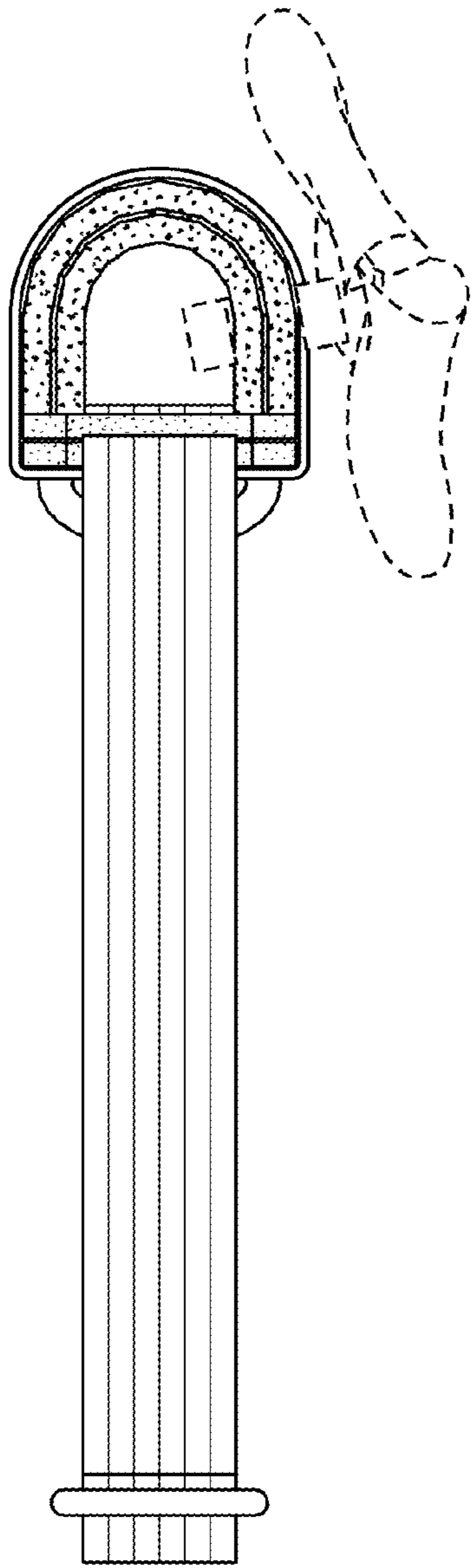


FIG. 7

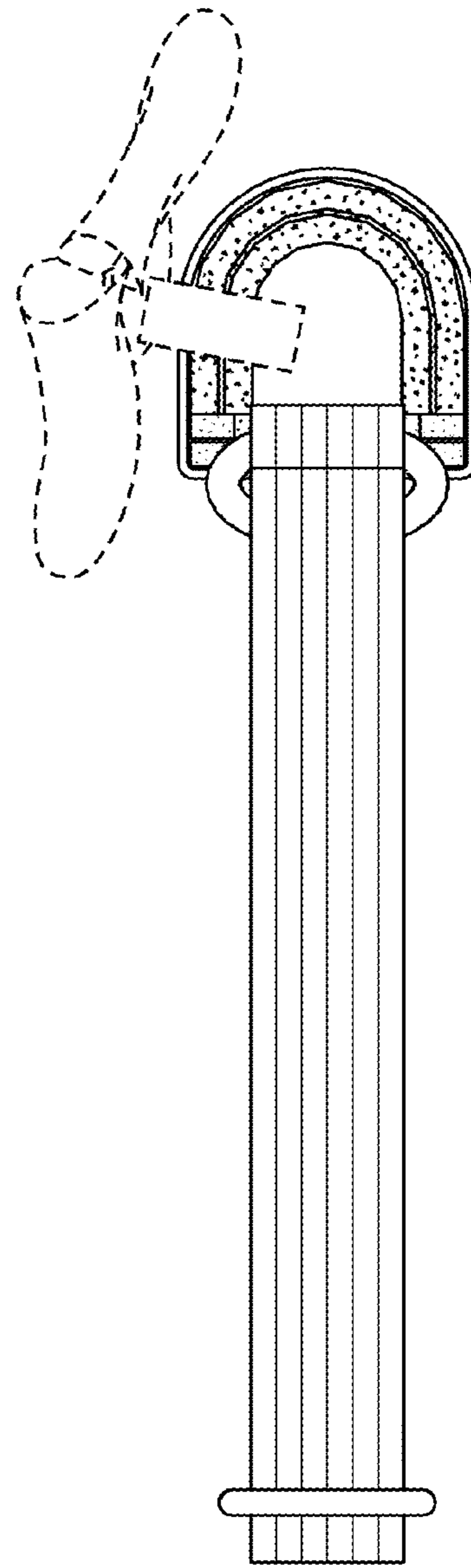


FIG. 8