



US00D771311S

(12) **United States Design Patent**
Jung

(10) **Patent No.:** **US D771,311 S**
(45) **Date of Patent:** **** Nov. 8, 2016**

- (54) **HAIR PIN**
- (71) Applicant: **Hae Min Jung**, Incheon (KR)
- (72) Inventor: **Hae Min Jung**, Incheon (KR)
- (**) Term: **15 Years**
- (21) Appl. No.: **29/533,207**
- (22) Filed: **Jul. 15, 2015**
- (51) **LOC (10) Cl.** **28-03**
- (52) **U.S. Cl.**
USPC **D28/40**
- (58) **Field of Classification Search**
USPC D28/39-43, 32, 33, 34; 132/276-279,
132/144, 145, 146
CPC A45D 8/20; A45D 8/24; A45D 8/00;
A45D 8/34; A45D 8/22
See application file for complete search history.

- 6,446,639 B1 * 9/2002 Shyu A45D 8/20
132/275
- 6,581,611 B2 * 6/2003 Sartena A45D 8/24
132/275
- D615,244 S * 5/2010 Hsu D28/32
- 7,992,579 B2 * 8/2011 Longoria A45D 8/20
132/279
- D646,434 S * 10/2011 Libman D28/33

* cited by examiner

Primary Examiner — Susan Bennett Hattan
Assistant Examiner — Rebecca Tsehaye
(74) *Attorney, Agent, or Firm* — John K. Park; Park Law Firm

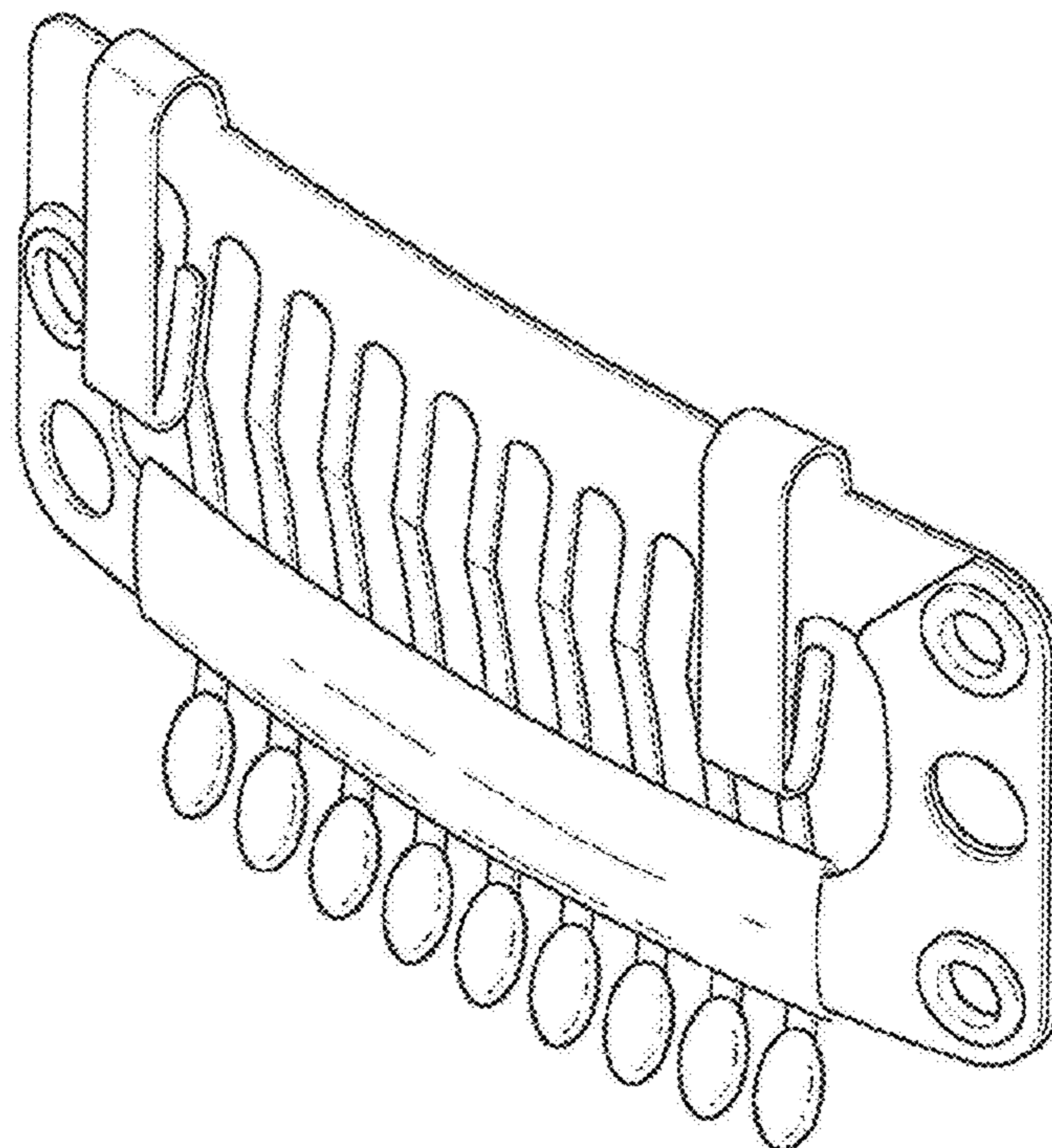
(57) **CLAIM**
The ornamental design for a hair pin, as shown and described.

DESCRIPTION

FIG. 1 is a perspective view of a hair pin showing my new design;
FIG. 2 is a front plan view thereof;
FIG. 3 is a rear plan view thereof;
FIG. 4 is a left side plan view thereof;
FIG. 5 is a right side plan view thereof;
FIG. 6 is a top plan view thereof; and,
FIG. 7 is a bottom plan view thereof.

1 Claim, 4 Drawing Sheets

- (56) **References Cited**
U.S. PATENT DOCUMENTS
2,577,098 A * 12/1951 Wood A45D 8/12
132/145
- 5,533,533 A * 7/1996 Shing A45D 8/12
132/276
- 6,186,151 B1 * 2/2001 Newlin A45D 8/00
132/273
- 6,427,702 B1 * 8/2002 Silva A45D 8/12
132/144



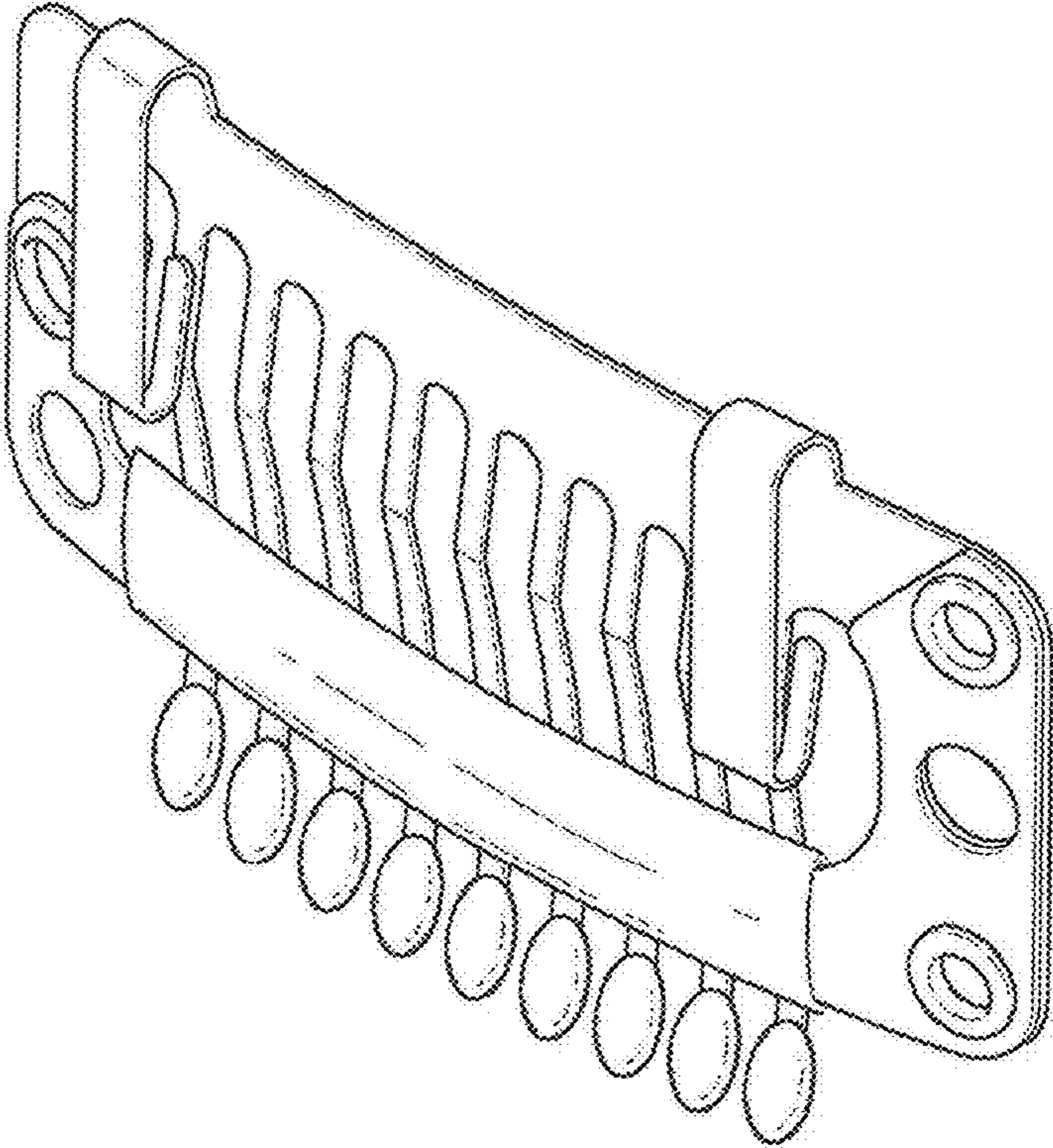


Fig. 1

Fig. 2

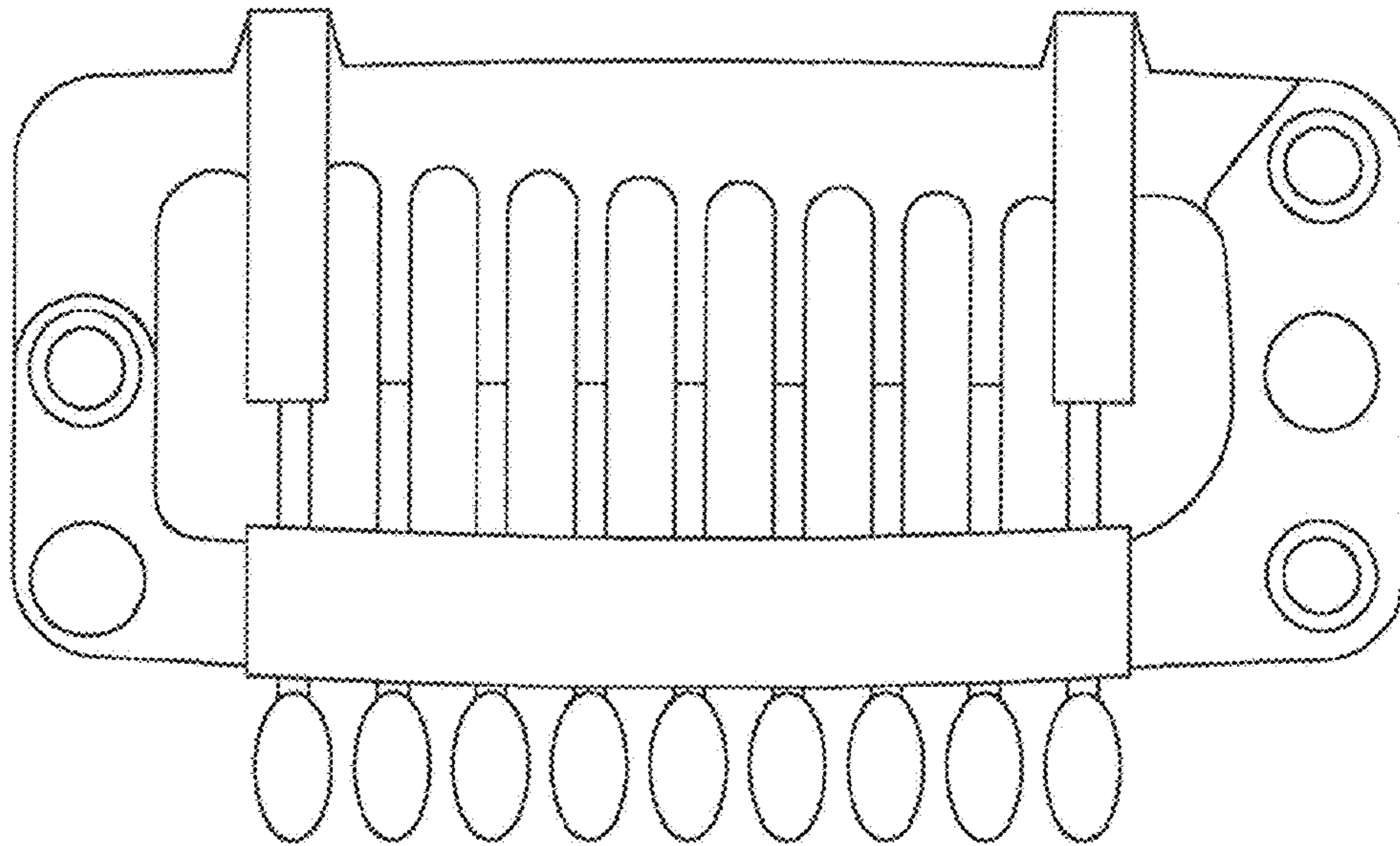


Fig. 3

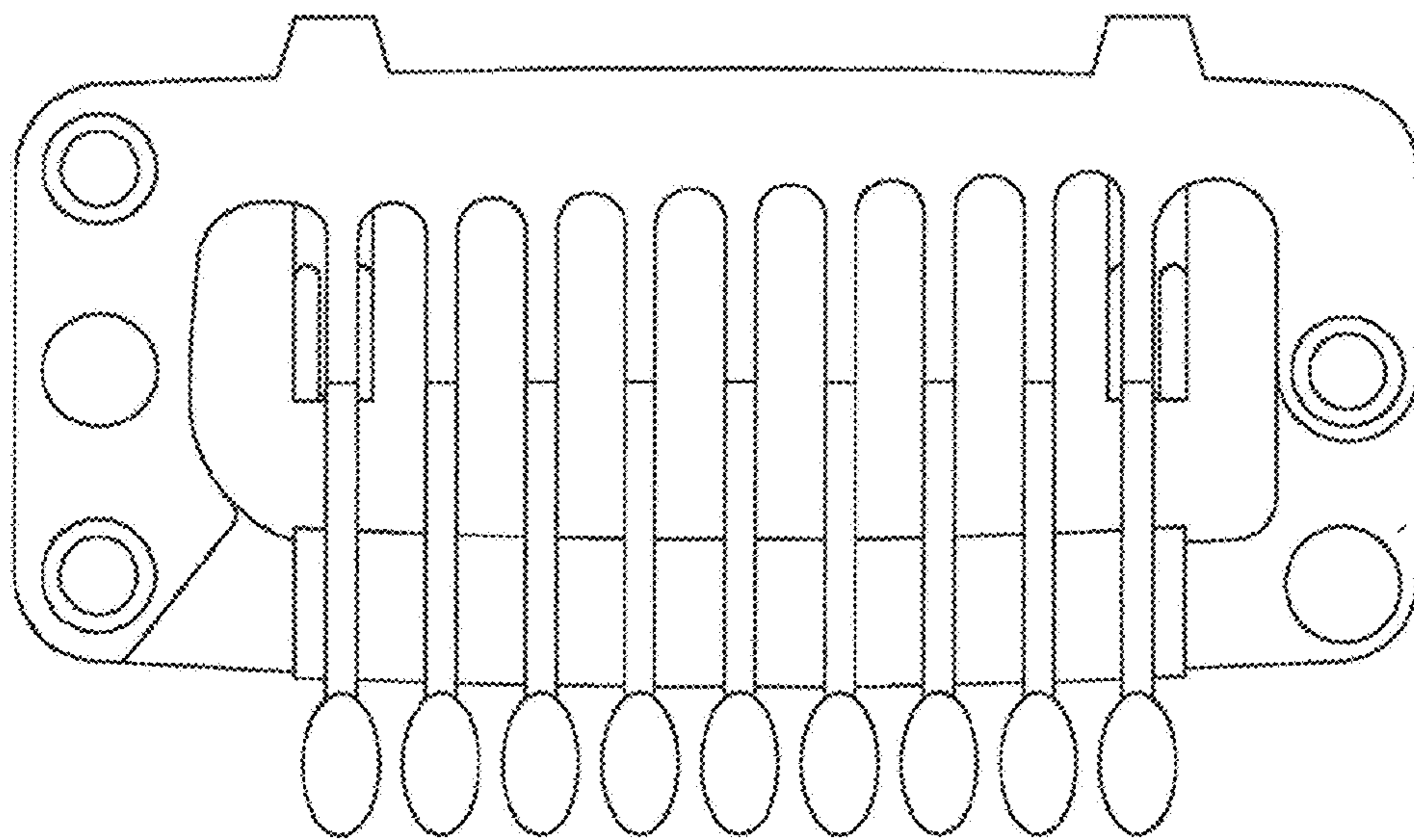


Fig. 4

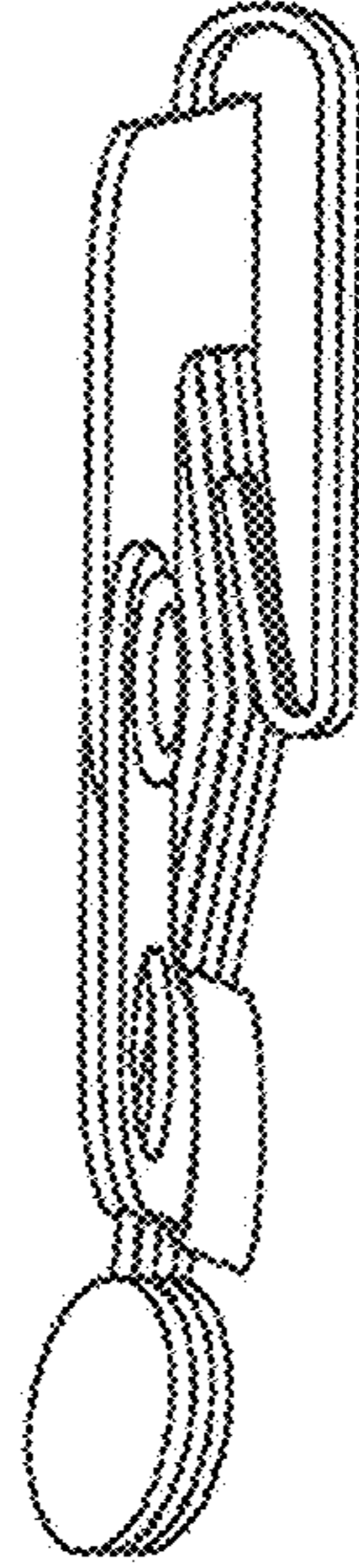


Fig. 5

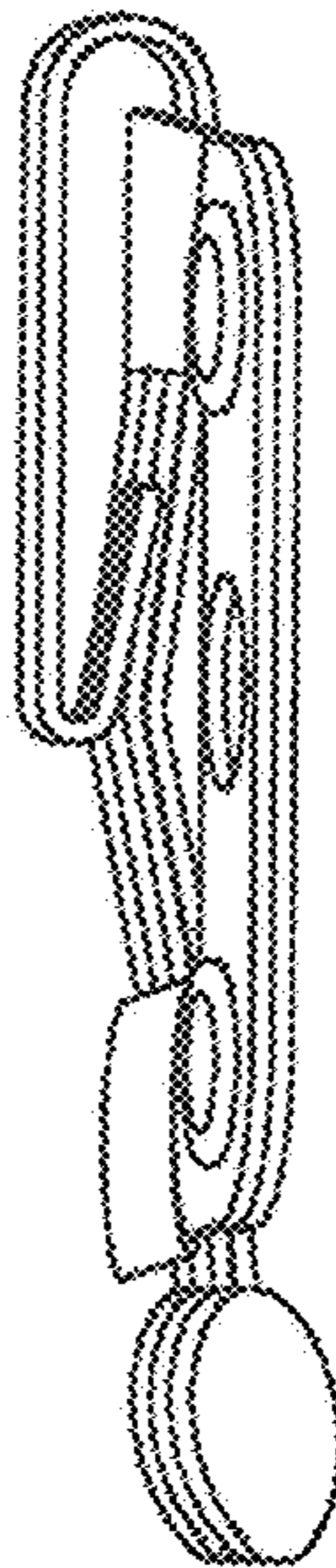


Fig. 6

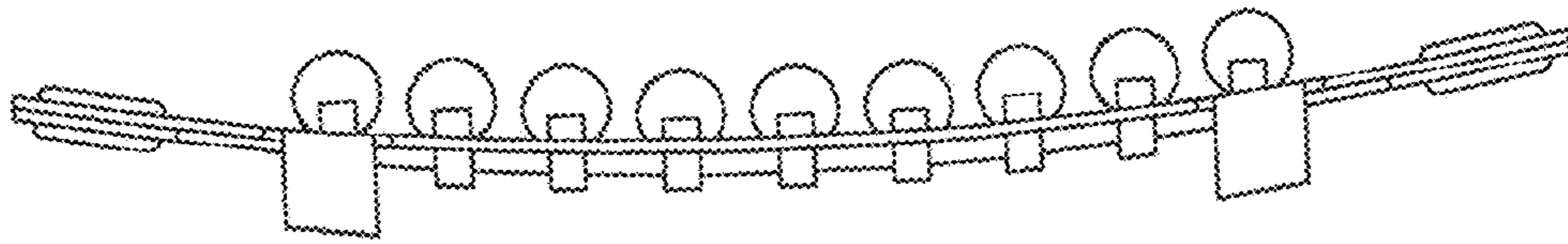


Fig. 7

