



US00D771307S

(12) **United States Design Patent** (10) **Patent No.:** **US D771,307 S**
Wu (45) **Date of Patent:** **** Nov. 8, 2016**

(54) **ELECTRONIC CIGARETTE**
(71) Applicant: **SHENZHEN JIESHIBO TECHNOLOGY CO., LTD.**,
Guangdong (CN)
(72) Inventor: **Jianyong Wu**, Guangdong (CN)
(**) Term: **15 Years**
(21) Appl. No.: **29/541,681**
(22) Filed: **Oct. 7, 2015**
(30) **Foreign Application Priority Data**

2015/0257446 A1* 9/2015 Chung A24F 47/008
131/329
2015/0335073 A1* 11/2015 Li A24F 47/008
131/329
2015/0374039 A1* 12/2015 Zhu A24F 47/008
131/329
2016/0000145 A1* 1/2016 Liu A24F 47/002
131/329
2016/0000146 A1* 1/2016 Zhu A24F 47/008
392/404
2016/0007654 A1* 1/2016 Zhu A24F 47/008
131/328
2016/0113327 A1* 4/2016 Wu H05B 3/06
131/329
2016/0120226 A1* 5/2016 Rado A24F 47/008
131/329
2016/0121058 A1* 5/2016 Chen A61M 11/04
128/200.19

Aug. 21, 2015 (CN) 2015 3 0317095
(51) **LOC (10) Cl.** **27-01**
(52) **U.S. Cl.**
USPC **D27/101**
(58) **Field of Classification Search**
USPC D27/100, 101, 162, 163-167, 169, 170,
D27/171, 193, 194; D23/202; D13/103
CPC A24F 47/008; A24F 47/002; A24F 15/12;
A24F 47/00
See application file for complete search history.

* cited by examiner

Primary Examiner — Robert M Spear
Assistant Examiner — Marissa J Cash
(74) *Attorney, Agent, or Firm* — Prakash Nama; Global IP Services, PLLC

(57) **CLAIM**
The ornamental design for an electronic cigarette, as shown and described.

(56) **References Cited**

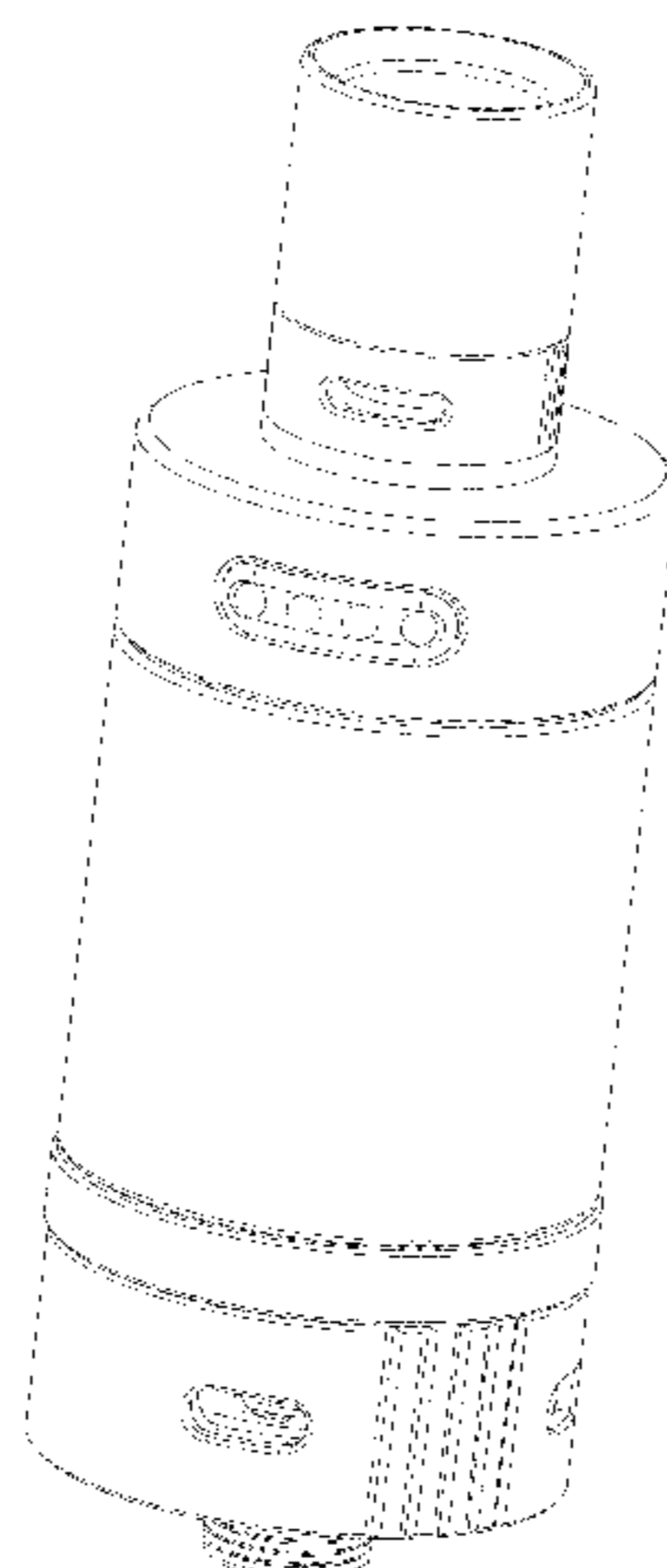
DESCRIPTION

U.S. PATENT DOCUMENTS

D644,375 S * 8/2011 Zhou D27/101
D652,571 S * 1/2012 Shenassa D27/163
D683,897 S * 6/2013 Liu D27/170
D702,876 S * 4/2014 Liu D27/194
D720,499 S * 12/2014 Alima D27/167
D727,562 S * 4/2015 Li D27/101
D729,441 S * 5/2015 Hua D27/101
D749,261 S * 2/2016 Chen D27/162
D752,280 S * 3/2016 Verleur D27/167
D758,649 S * 6/2016 Liu D27/101
2014/0360514 A1* 12/2014 Zhu A24F 47/008
131/329
2014/0376895 A1* 12/2014 Han A24F 47/008
392/395
2015/0128977 A1* 5/2015 Li H05B 3/06
131/329

FIG. 1 is a front elevational view of an electronic cigarette showing my new design;
FIG. 2 is a rear elevational view thereof;
FIG. 3 is a left side view thereof;
FIG. 4 is a right side view thereof;
FIG. 5 is a top plan view thereof;
FIG. 6 is a bottom plan view thereof;
FIG. 7 is a top front perspective view thereof;
FIG. 8 is a bottom front perspective view thereof;
FIG. 9 is a top rear perspective view thereof; and,
FIG. 10 is a bottom rear perspective view thereof.
The broken lines shown in FIG. 5 form no part of the claimed design.

1 Claim, 9 Drawing Sheets



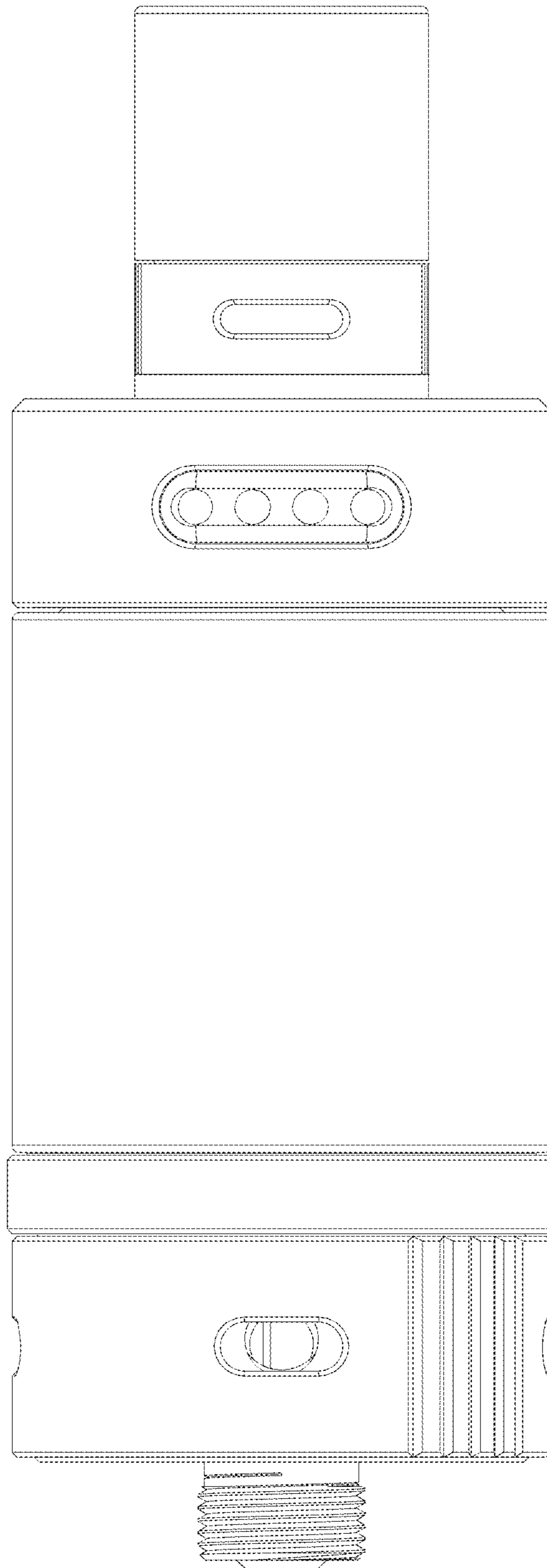


FIG. 1

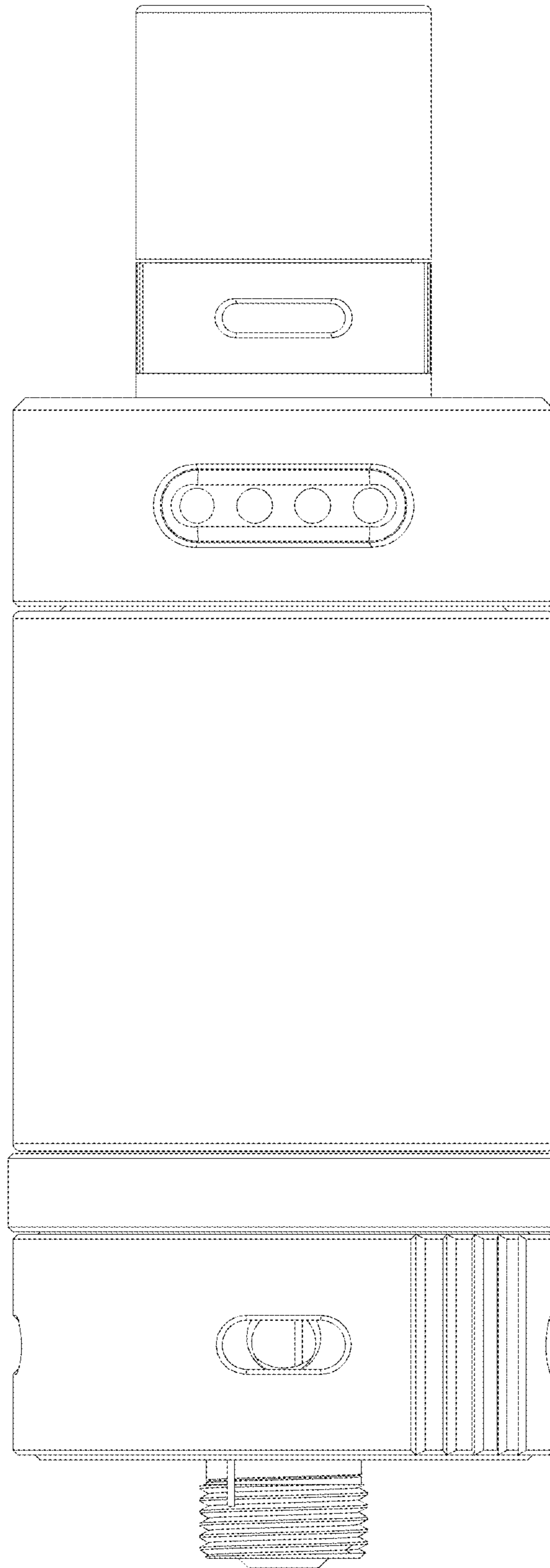


FIG. 2

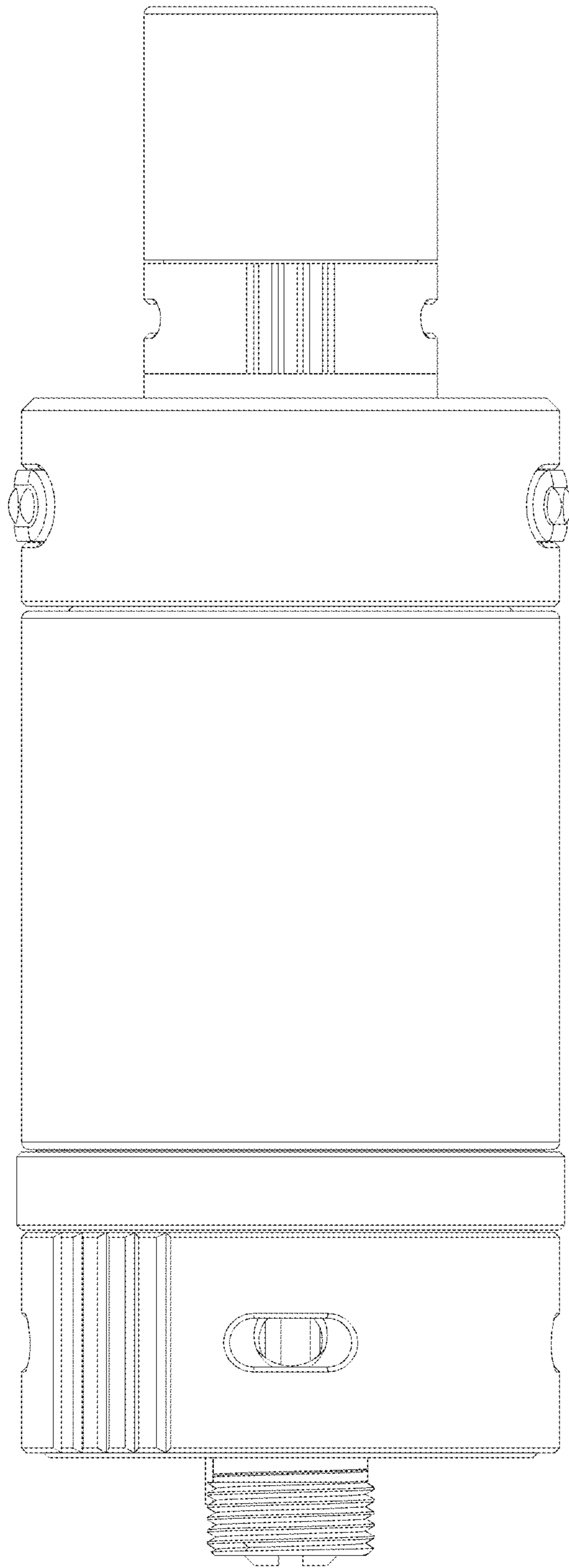


FIG. 3

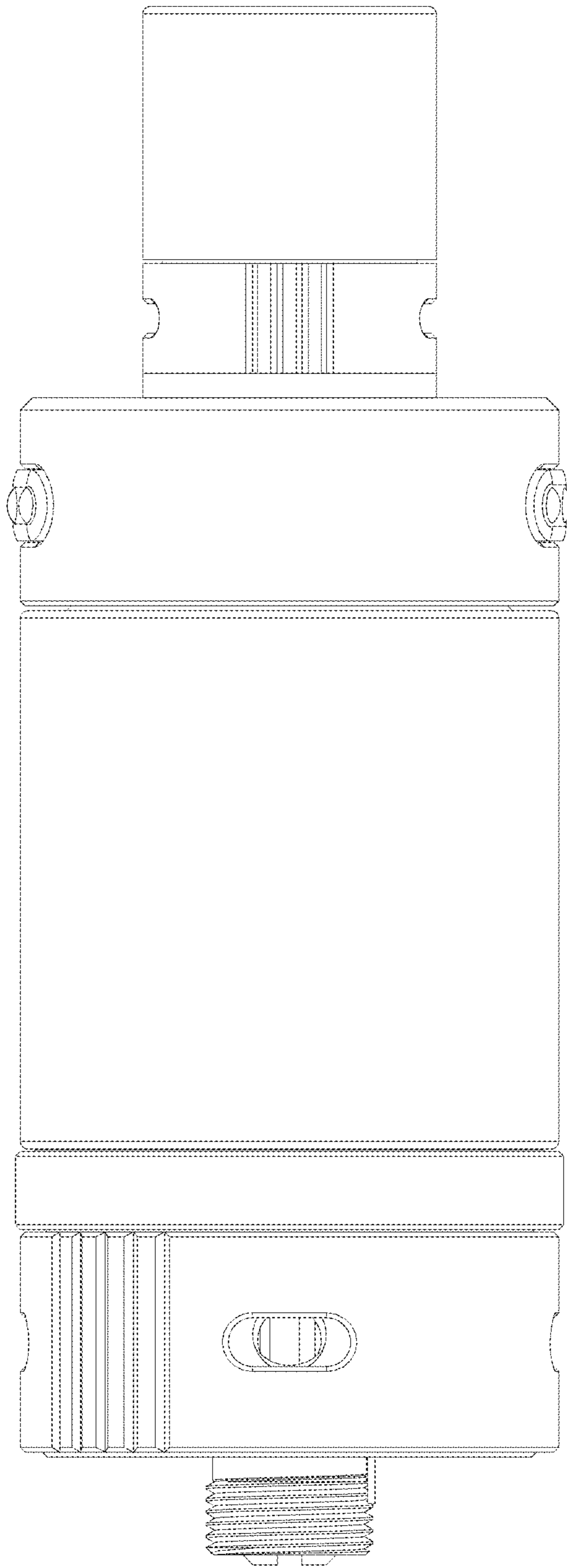


FIG. 4

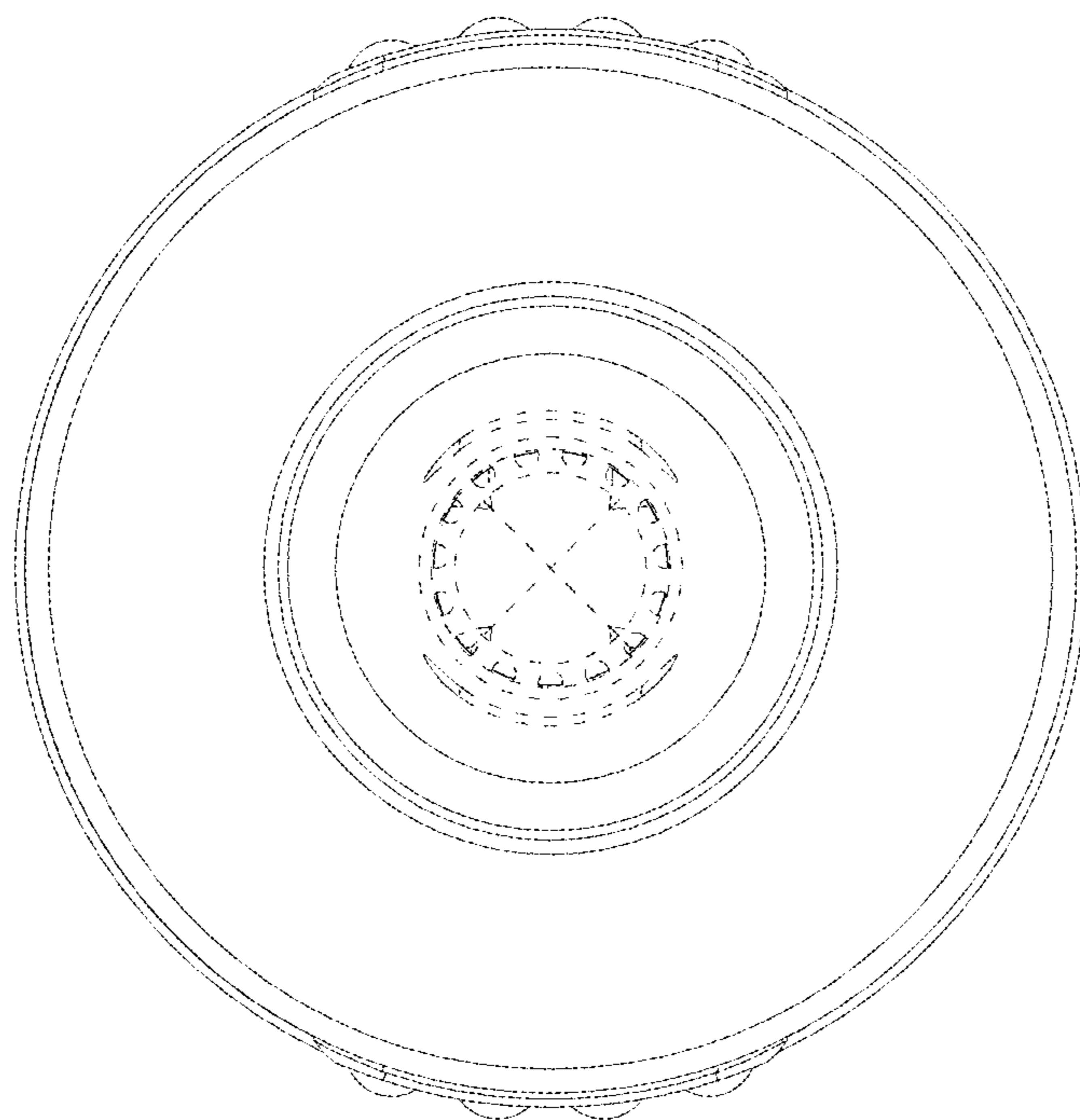


FIG. 5

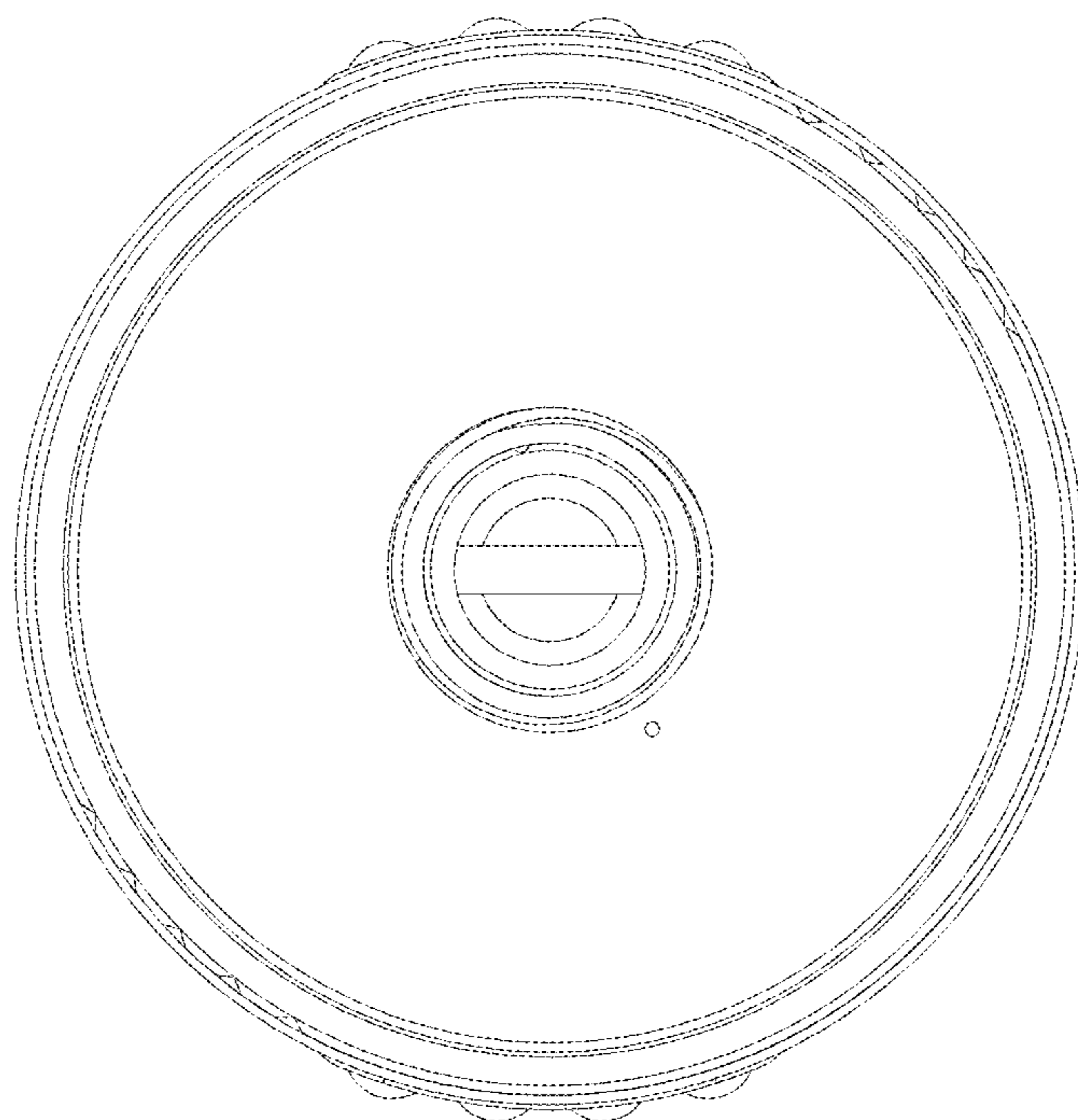


FIG. 6

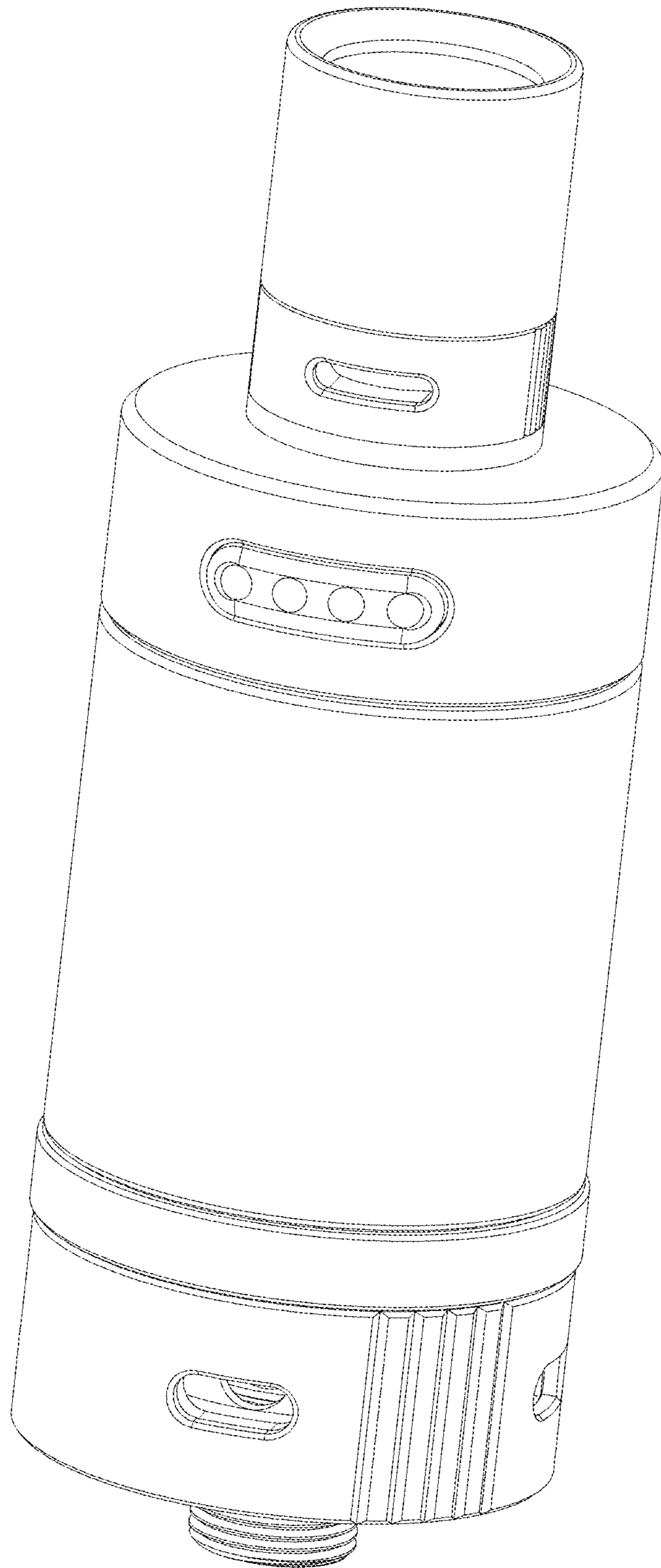


FIG. 7

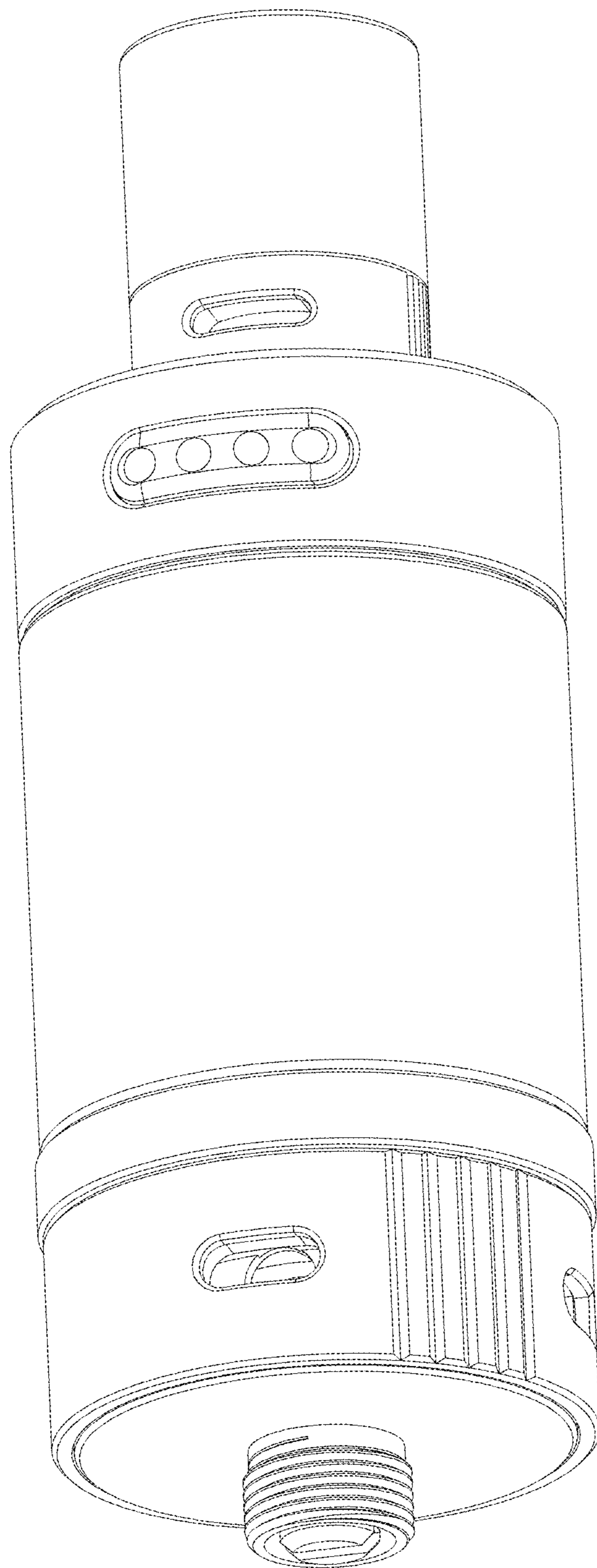


FIG. 8

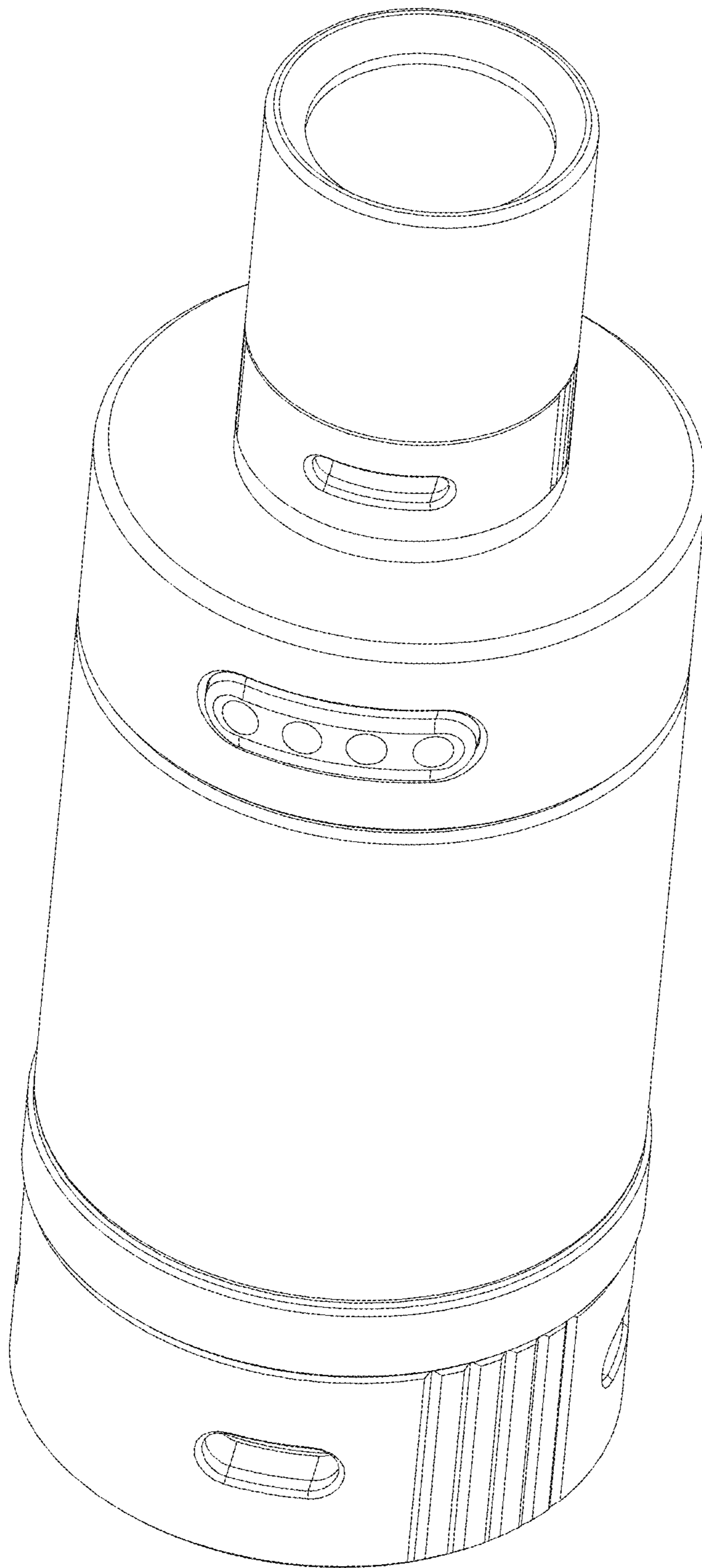


FIG. 9

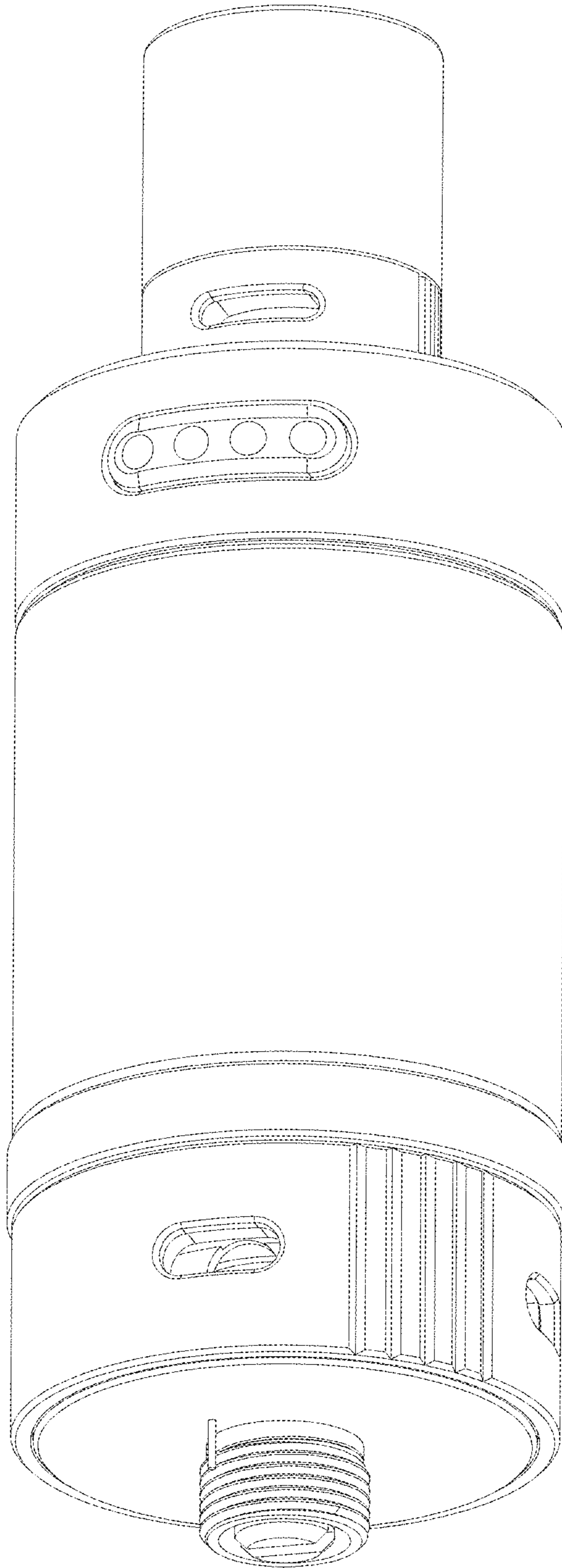


FIG. 10