



US00D771306S

(12) **United States Design Patent** (10) **Patent No.:** **US D771,306 S**  
**Dietel** (45) **Date of Patent:** **\*\* Nov. 8, 2016**

(54) **LED LAMP**

(71) Applicant: **PHOENIX CONTACT GmbH & Co. KG, Blomberg (DE)**

(72) Inventor: **Karl Clauss Dietel, Chemnitz (DE)**

(73) Assignee: **PHOENIX CONTACT GMBH & CO. KG, Blomberg (DE)**

(\*\*) Term: **15 Years**

(21) Appl. No.: **29/533,896**

(22) Filed: **Jul. 23, 2015**

**Related U.S. Application Data**

(62) Division of application No. 29/467,300, filed on Sep. 18, 2013, now Pat. No. Des. 747,541.

**Foreign Application Priority Data**

Mar. 20, 2013 (EM) ..... 002205567-0001  
Mar. 20, 2013 (EM) ..... 002205567-0002  
Mar. 20, 2013 (EM) ..... 002205567-0003  
Mar. 20, 2013 (EM) ..... 002205567-0004  
Mar. 20, 2013 (EM) ..... 002205567-0005

(51) **LOC (10) Cl.** ..... **26-99**

(52) **U.S. Cl.**  
USPC ..... **D26/141**

(58) **Field of Classification Search**  
USPC ..... D26/3, 24, 35, 39, 42, 71, 72, 75, 76,  
D26/78, 79, 80, 81, 82, 83, 85, 88, 90, 118,  
D26/119, 120, 121, 122, 138  
CPC ..... F21S 4/00; F21S 4/003; F21S 4/006;  
F21S 4/007; F21S 4/008; F21S 6/004;  
F21S 6/005; F21K 9/54; F21V 15/01; F21V  
15/013

See application file for complete search history.

(56) **References Cited**

U.S. PATENT DOCUMENTS

D291,928 S \* 9/1987 Morten ..... D26/76  
D306,773 S \* 3/1990 Roulstone ..... D26/78  
D348,947 S \* 7/1994 Holcomb ..... D26/76  
D569,025 S \* 5/2008 Hakamada ..... D26/74  
D569,027 S \* 5/2008 Hakamada ..... D26/76  
D583,496 S \* 12/2008 Kuo ..... D26/76  
D667,584 S \* 9/2012 Beghelli ..... D26/75  
D710,528 S \* 8/2014 Wardenburg ..... D26/75  
D715,466 S \* 10/2014 Wang ..... D26/24  
D745,853 S \* 12/2015 Andresen ..... D13/184  
D747,281 S \* 1/2016 Andresen ..... D13/199

(Continued)

OTHER PUBLICATIONS

U.S. Appl. No. 29/533,754, filed Jul. 22, 2015.

(Continued)

*Primary Examiner* — George D Kirschbaum

*Assistant Examiner* — Natasha Vujcic

(74) *Attorney, Agent, or Firm* — Leydig, Voit & Mayer, Ltd.

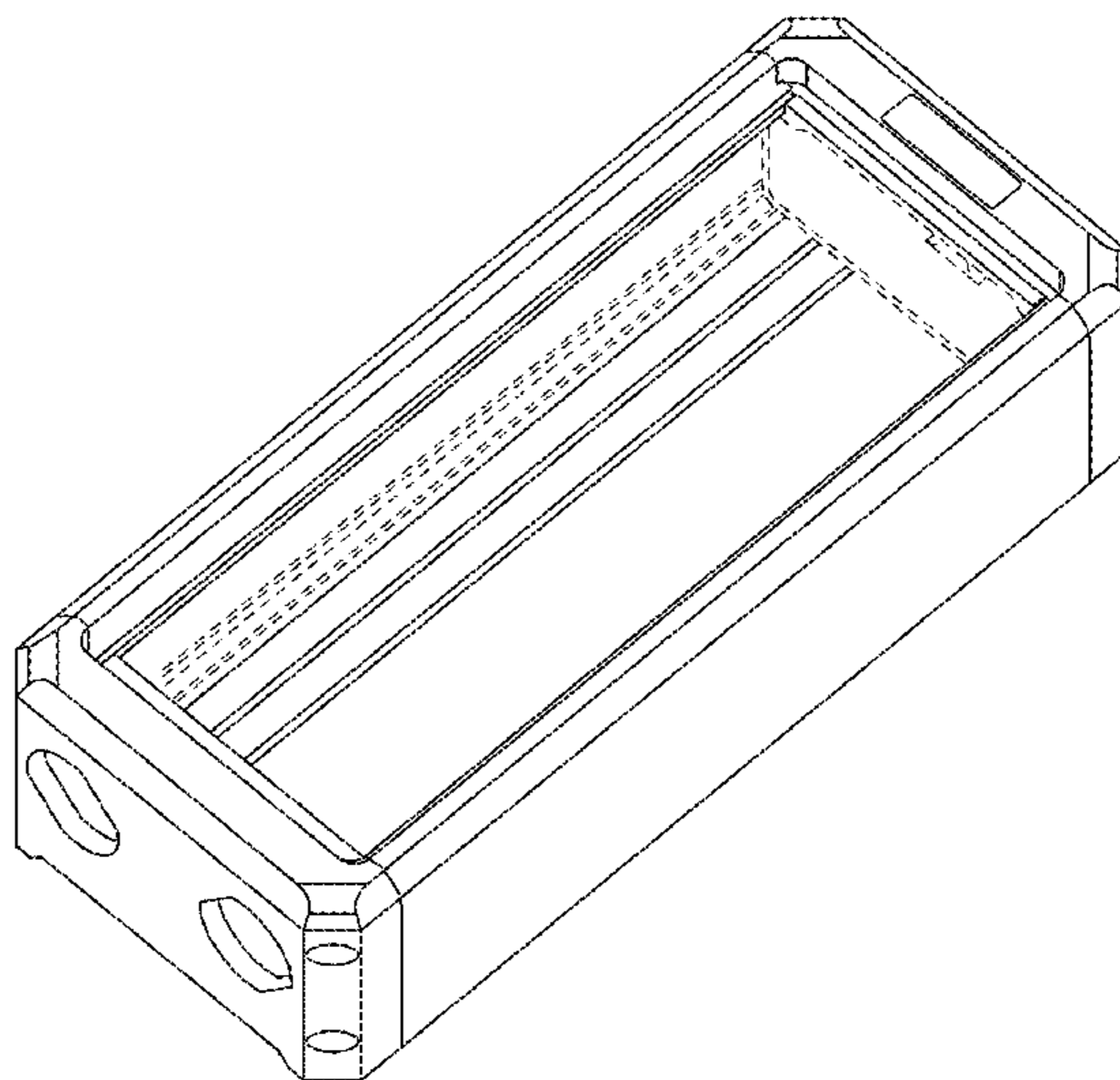
(57) **CLAIM**

The ornamental design for an LED lamp, as shown and described.

**DESCRIPTION**

FIG. 1 is a top right front perspective view of an embodiment of the LED lamp showing my new design; FIG. 2 is a top plan view thereof; FIG. 3 is a front elevational view thereof; FIG. 4 is a rear elevational view thereof; FIG. 5 is a left side elevational view thereof, the right side elevational view being a mirror image thereof; and, FIG. 6 is a bottom plan view thereof. The broken lines in the drawings illustrate portions of the LED Lamp, which forms no part of the claimed design.

**1 Claim, 6 Drawing Sheets**



(56)

**References Cited**

OTHER PUBLICATIONS

U.S. PATENT DOCUMENTS

D747,541 S \* 1/2016 Dietel ..... D26/141  
2013/0286637 A1\* 10/2013 Lay ..... F21K 9/17  
362/147

U.S. Appl. No. 29/467,300, filed Sep. 18, 2013.

\* cited by examiner

FIG. 1

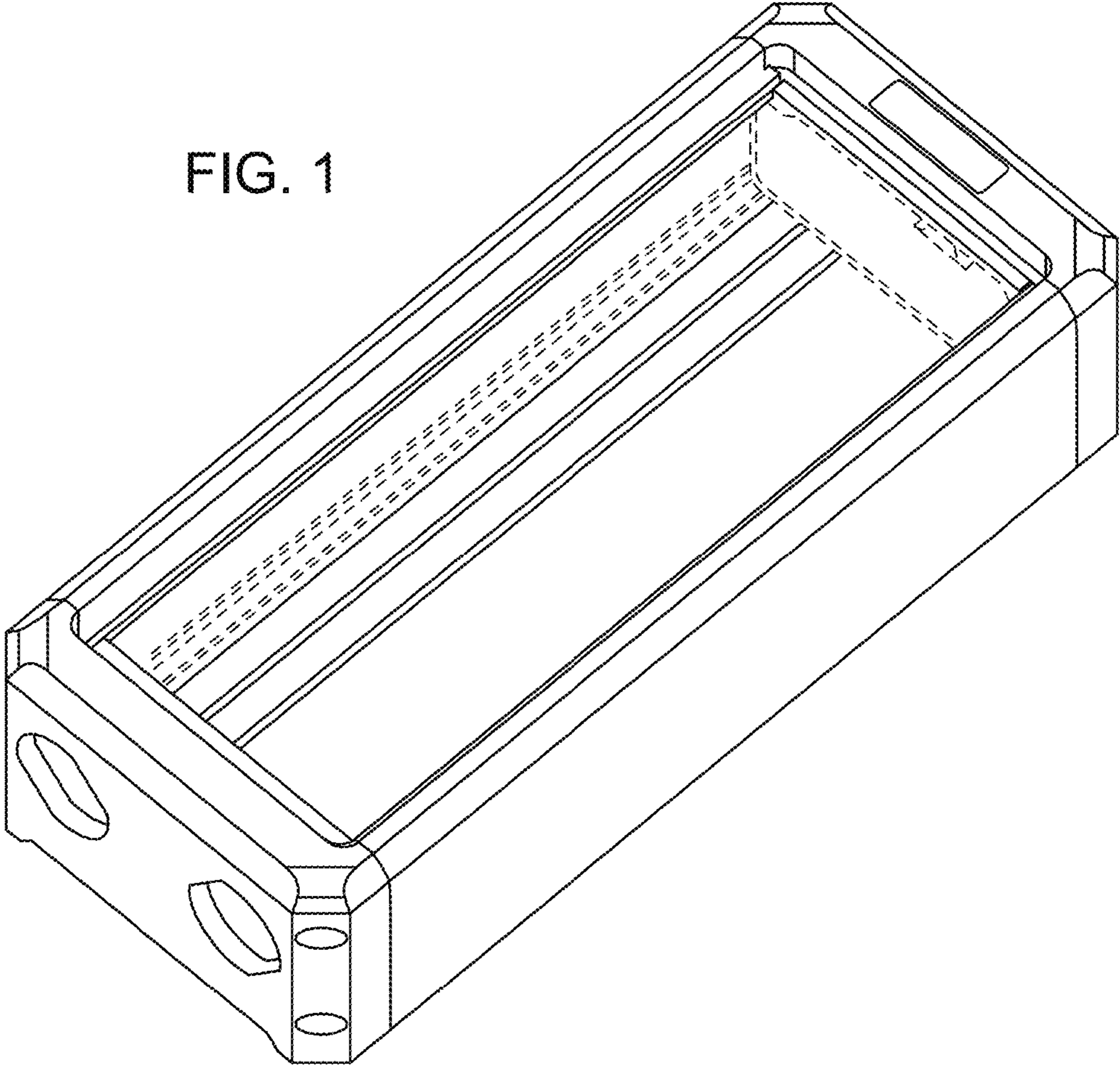


FIG. 2

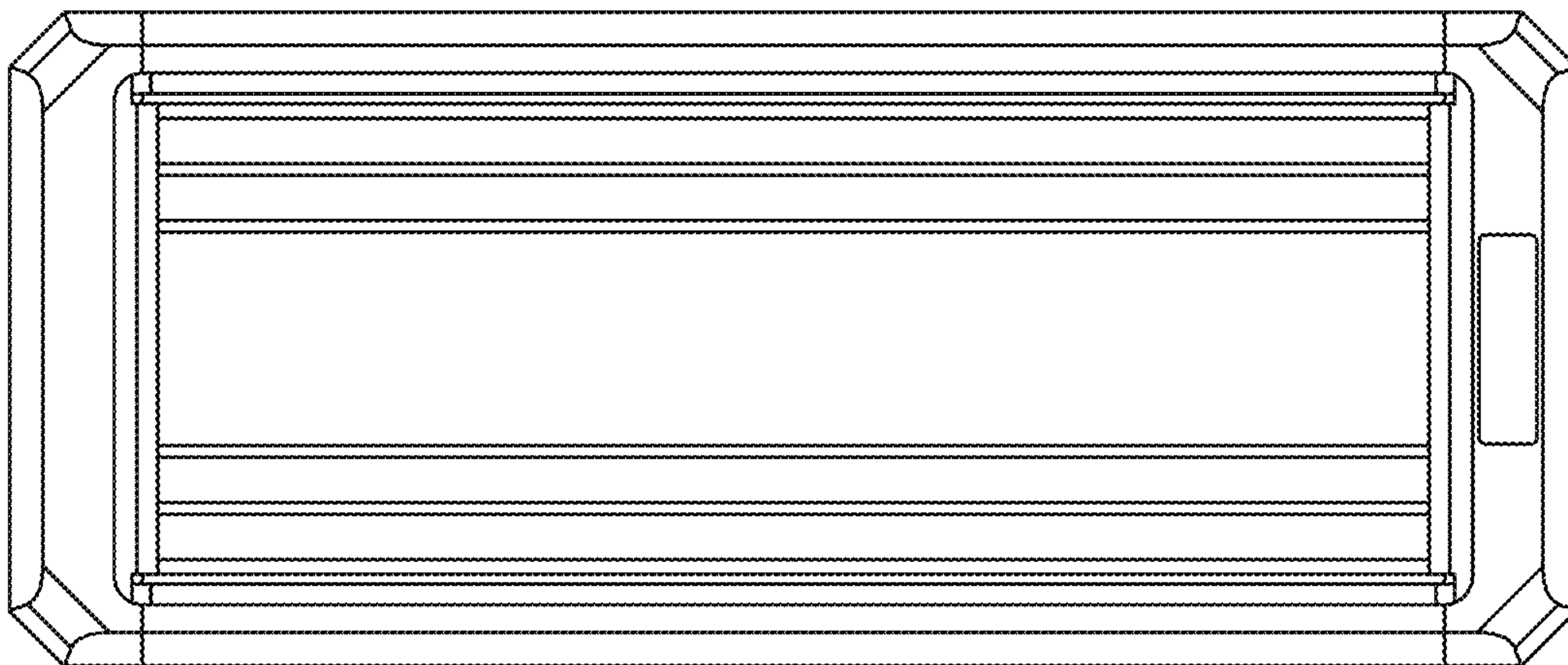


FIG. 3

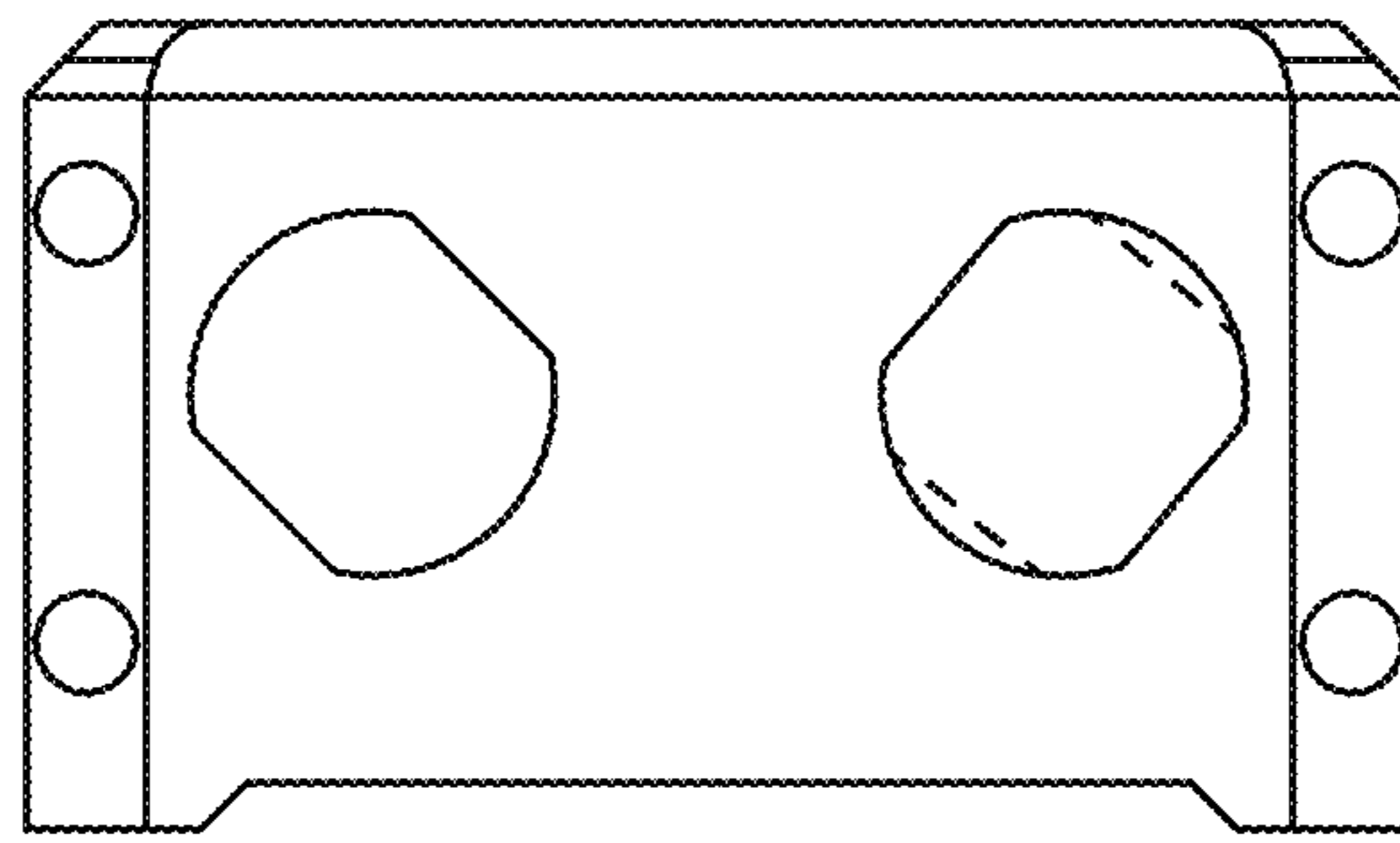


FIG. 4

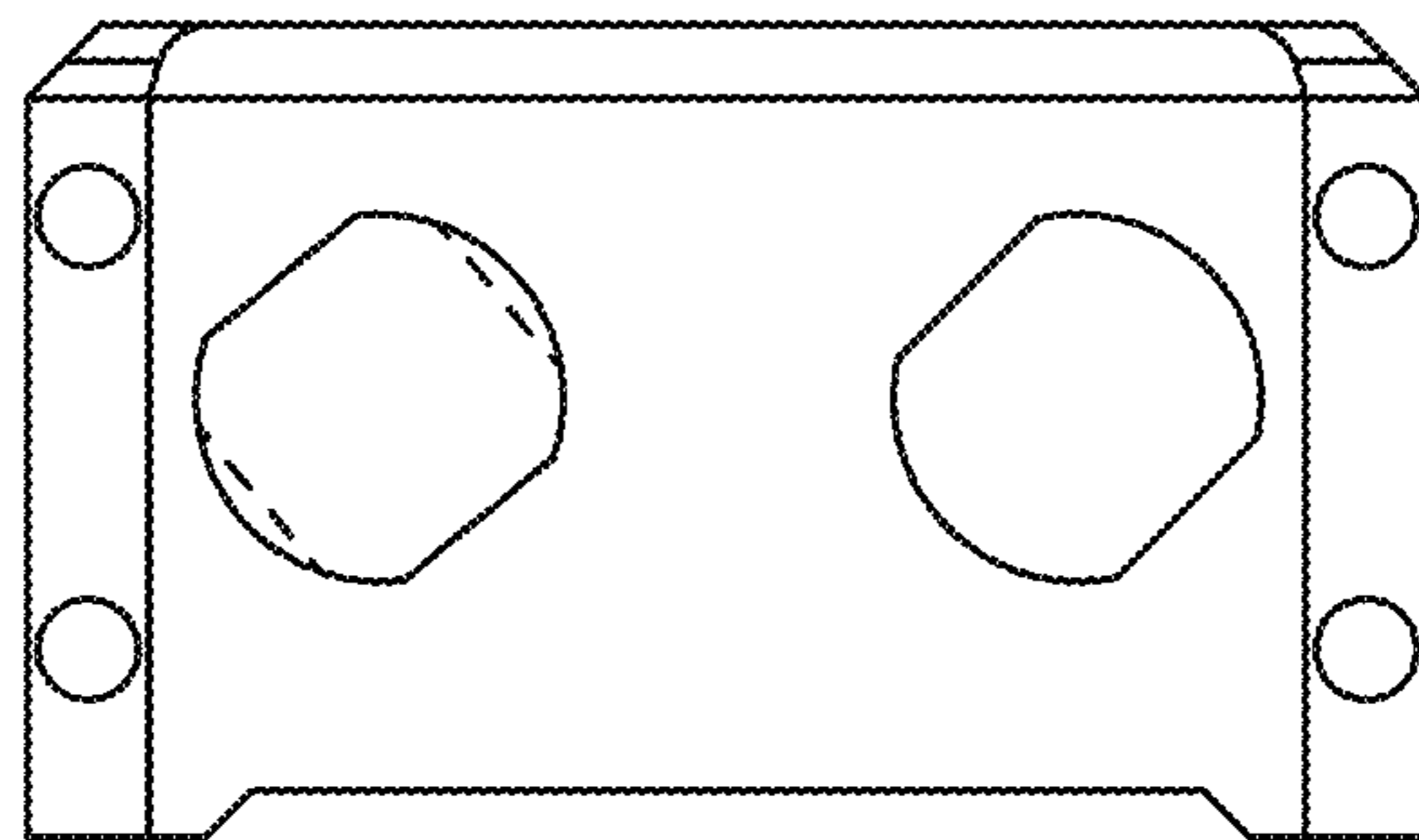


FIG. 5

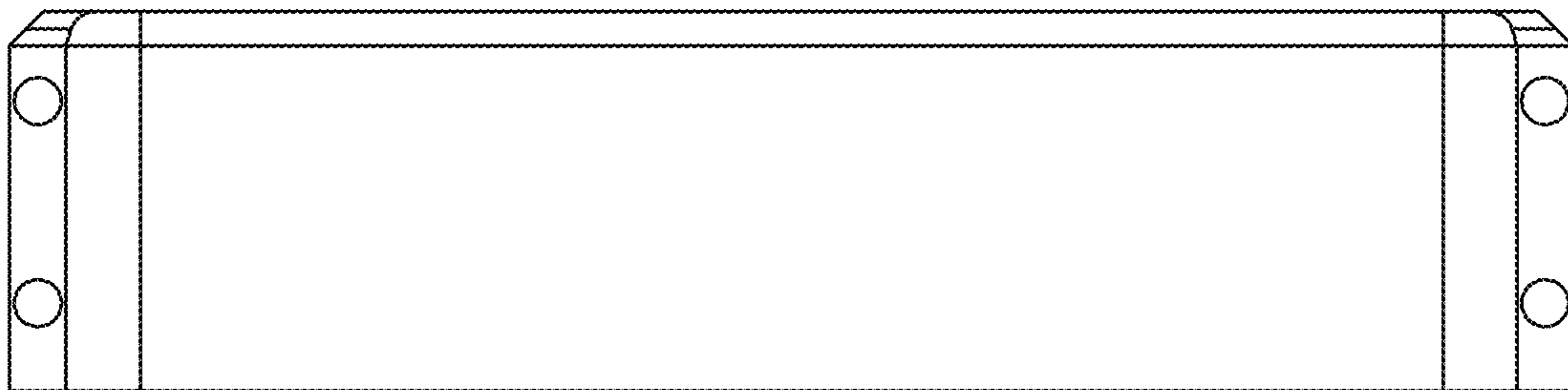


FIG. 6

