



US00D771305S

(12) **United States Design Patent**
Woller

(10) **Patent No.:** **US D771,305 S**
(45) **Date of Patent:** **** Nov. 8, 2016**

(54) **FLASHLIGHT HOLDER**

(71) Applicant: **Viking Solutions, LLC**, Decatur, AL (US)

(72) Inventor: **Ronald R. Woller**, Decatur, AL (US)

(73) Assignee: **Viking Solutions, LLC**, Decatur, AL (US)

(**) Term: **14 Years**

(21) Appl. No.: **29/508,673**

(22) Filed: **Nov. 10, 2014**

(51) **LOC (10) Cl.** **26-99**

(52) **U.S. Cl.**
USPC **D26/138**

(58) **Field of Classification Search**
USPC D26/76, 78, 79, 80, 81, 82, 83, 85, 88,
D26/90, 93, 110, 118, 119, 120, 121, 122,
D26/138, 140-142
CPC F21S 4/00; F21S 4/003; F21S 4/006;
F21S 4/007; F21S 4/008; F21S 6/004;
F21S 6/005; F21K 9/54; F21V 15/01; F21V
15/013
See application file for complete search history.

(56) **References Cited**

U.S. PATENT DOCUMENTS

2,052,120 A 8/1936 Vaughan
2,402,877 A 6/1946 Dial

(Continued)

FOREIGN PATENT DOCUMENTS

CA 2494836 A1 1/2005
WO 92/00486 A1 1/1992

Primary Examiner — George D Kirschbaum

Assistant Examiner — Natasha Vujcic

(74) *Attorney, Agent, or Firm* — Bush Intellectual
Property Law; Kenneth M. Bush

(57) **CLAIM**

I claim the ornamental design for a flashlight holder, as shown and described.

DESCRIPTION

FIG. 1 is a top, left, front perspective view of a flashlight holder showing my new design, wherein the mounting screw is shown retracted and an exemplary flashlight is shown in broken lines;

FIG. 2 is another top, left, front perspective view of the flashlight holder with the mounting screw shown retracted, wherein the flashlight is not shown;

FIG. 3 is a bottom, left, rear perspective view of the flashlight holder of FIG. 2;

FIG. 4 is a rear elevation view of the flashlight holder of FIG. 2;

FIG. 5 is a front elevation view of the flashlight holder of FIG. 2;

FIG. 6 is a right side elevation view of the flashlight holder of FIG. 2;

FIG. 7 is a top plan view of the flashlight holder of FIG. 2;

FIG. 8 is a left side elevation view of the flashlight holder of FIG. 2; and

FIG. 9 is a bottom plan view of the flashlight holder of FIG. 2.

FIG. 10 is a top, left, front perspective view of the flashlight holder with the mounting screw shown deployed and an exemplary flashlight shown in broken lines;

FIG. 11 is another top, left, front perspective view of the flashlight holder with the mounting screw shown deployed, wherein the flashlight is not shown;

FIG. 12 is a bottom, left, rear perspective view of the flashlight holder of FIG. 11;

FIG. 13 is a rear elevation view of the flashlight holder of FIG. 11;

FIG. 14 is a front elevation view of the flashlight holder of FIG. 11;

FIG. 15 is a right side elevation view of the flashlight holder of FIG. 11;

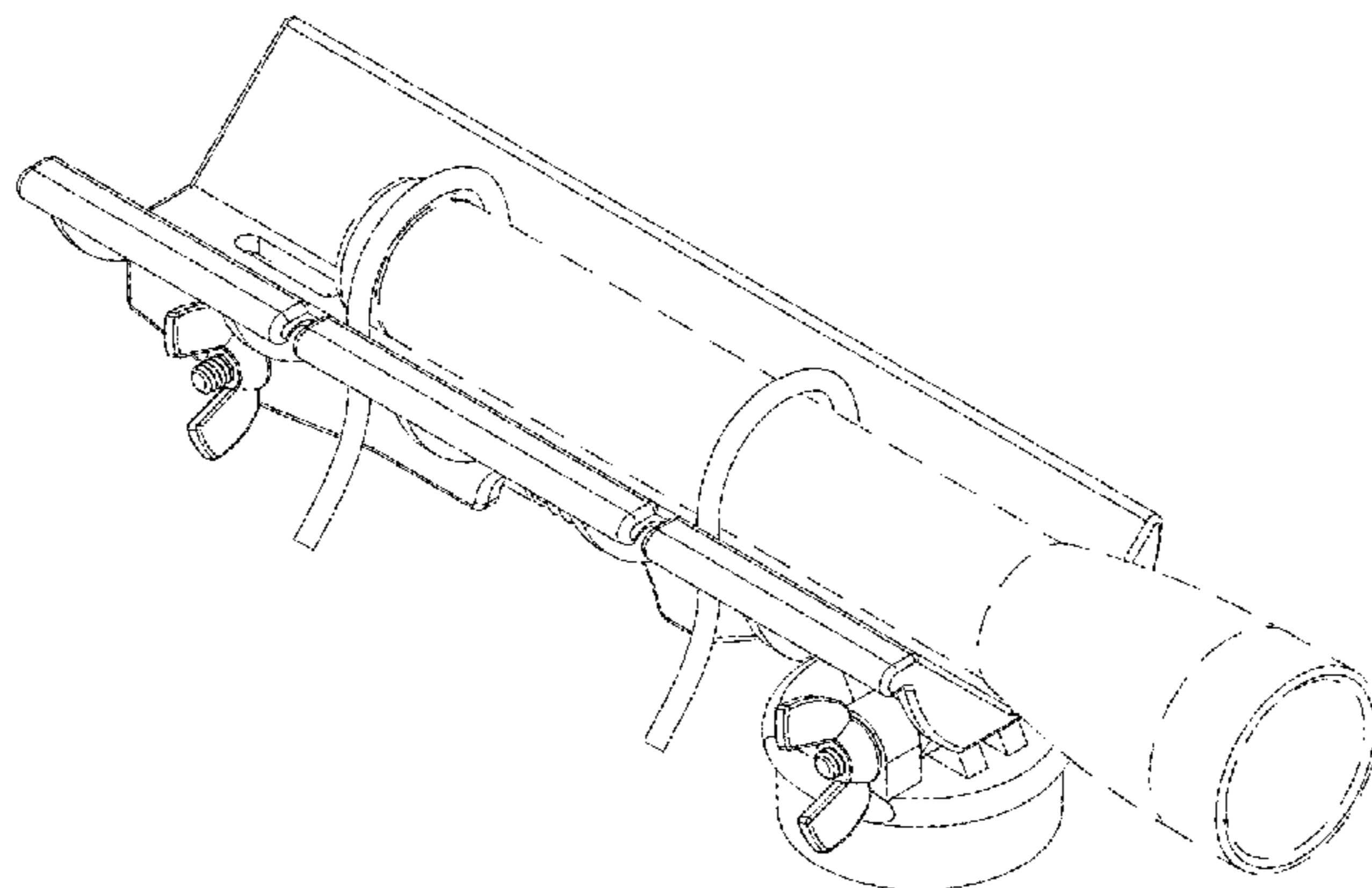
FIG. 16 is a top plan view of the flashlight holder of FIG. 11;

FIG. 17 is a left side elevation view of the flashlight holder of FIG. 11; and,

FIG. 18 is a bottom plan view of the flashlight holder of FIG. 11.

The broken lines in the drawings illustrate portions of the flashlight holder which form no part of the claimed design. The ornamental design for a portable, mountable flashlight holder having a mounting magnet and a pivotable mounting screw.

1 Claim, 6 Drawing Sheets



(56)

References Cited

U.S. PATENT DOCUMENTS

3,713,614 A 1/1973 Taylor
4,058,719 A 11/1977 Chopp
4,506,317 A 3/1985 Duddy
D279,612 S * 7/1985 Bacevius D26/138
4,897,768 A 1/1990 Thul
D312,706 S * 12/1990 Janesko D26/138
D326,927 S * 6/1992 Catalina D26/138

5,163,752 A 11/1992 Copeland et al.
5,577,697 A 11/1996 Accordino
D393,920 S * 4/1998 Palmer D26/138
D426,671 S * 6/2000 Soefje D26/138
D544,984 S * 6/2007 Hargreaves D26/76
D598,603 S * 8/2009 Cunius D26/138
7,594,631 B1 * 9/2009 Carnevali B60R 11/0241
248/219.4
D632,838 S * 2/2011 Cunius D26/138

* cited by examiner

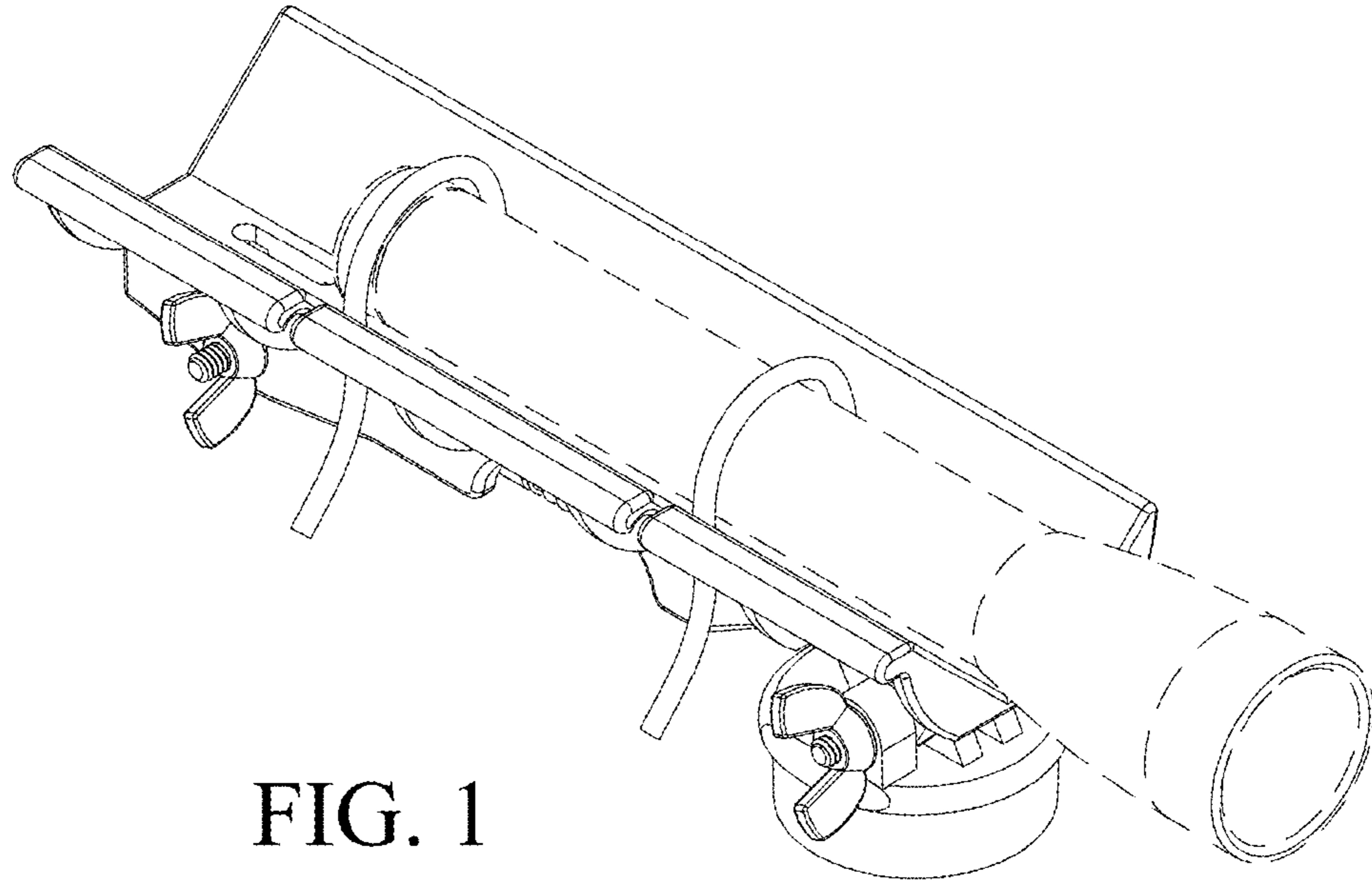


FIG. 1

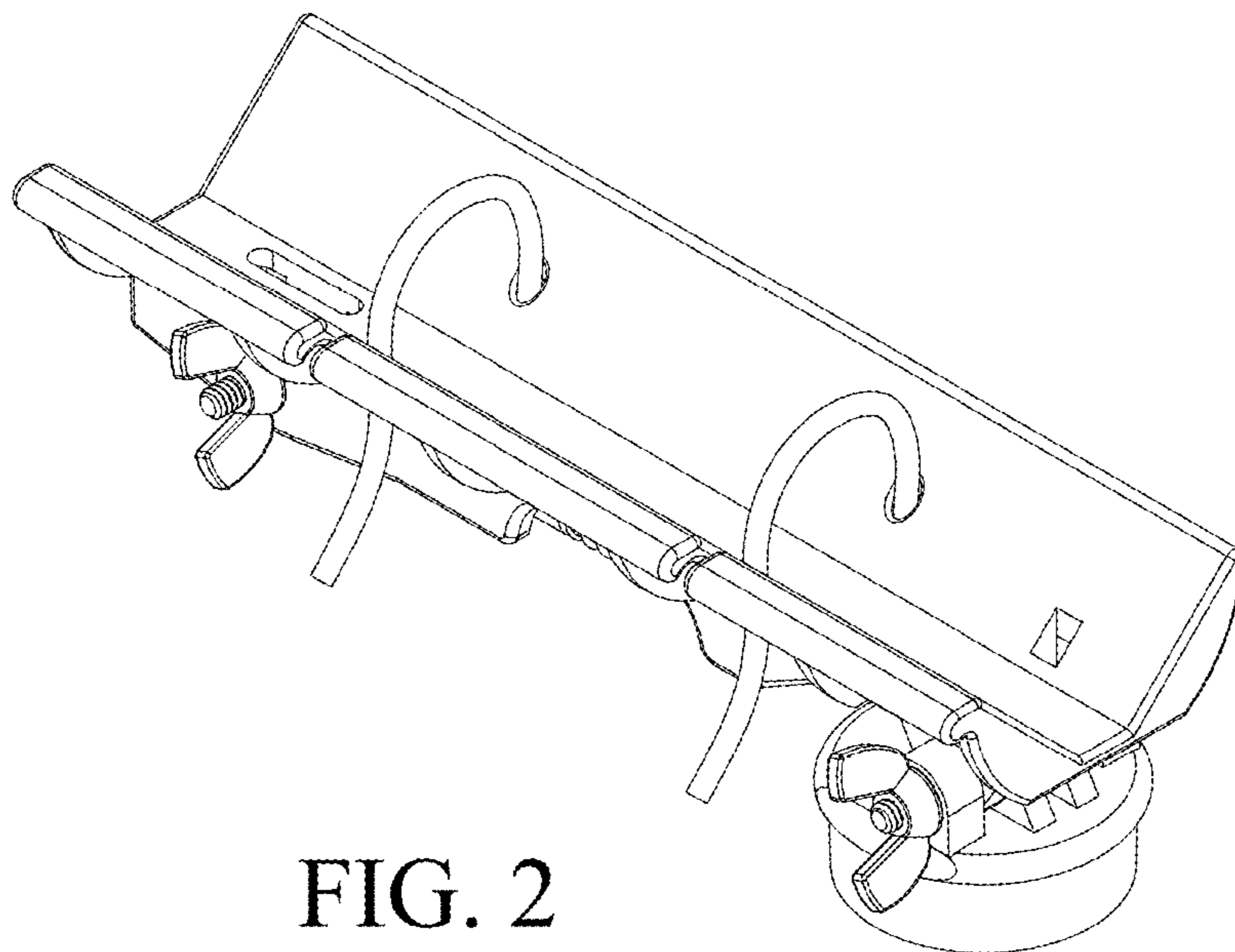


FIG. 2

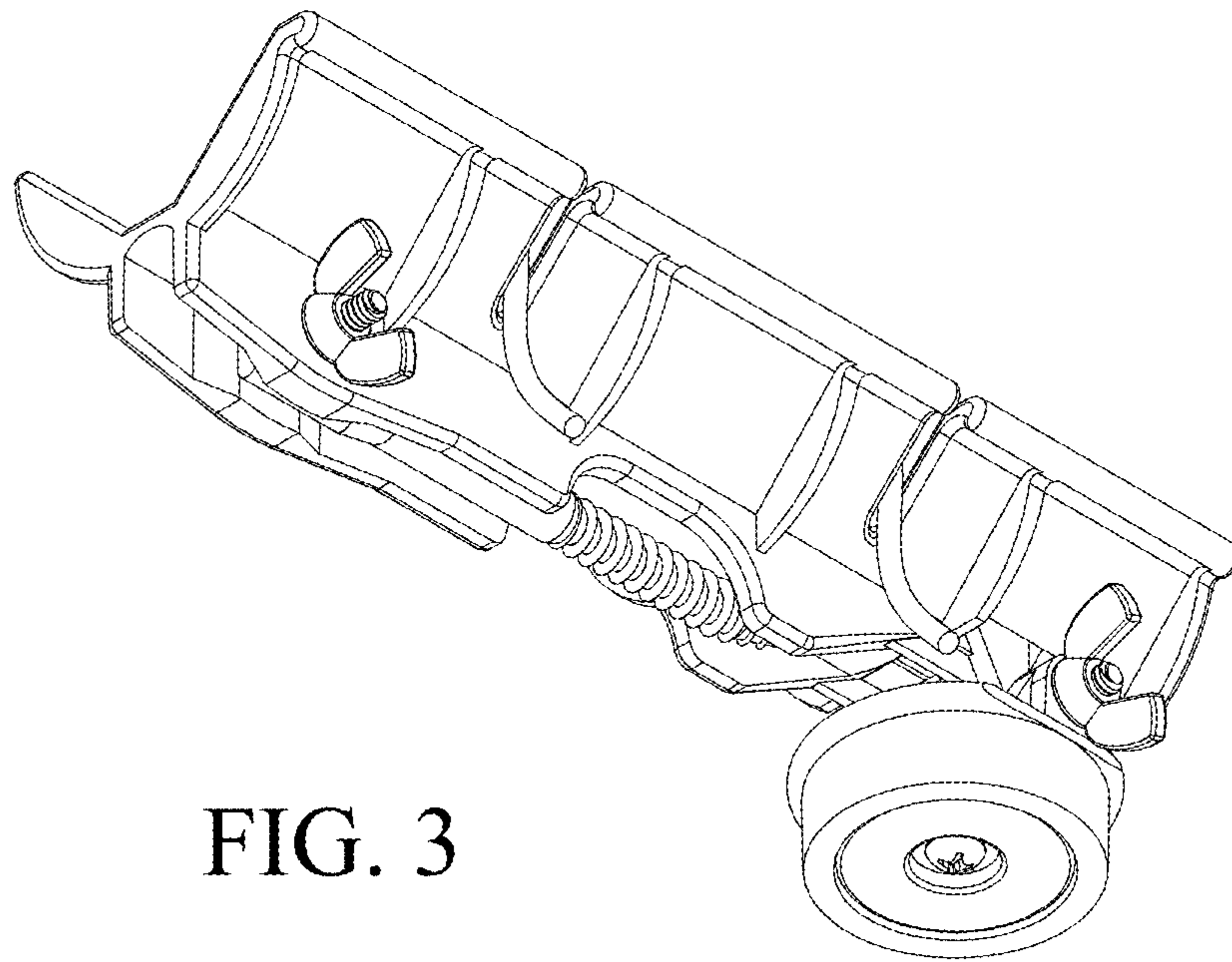


FIG. 3

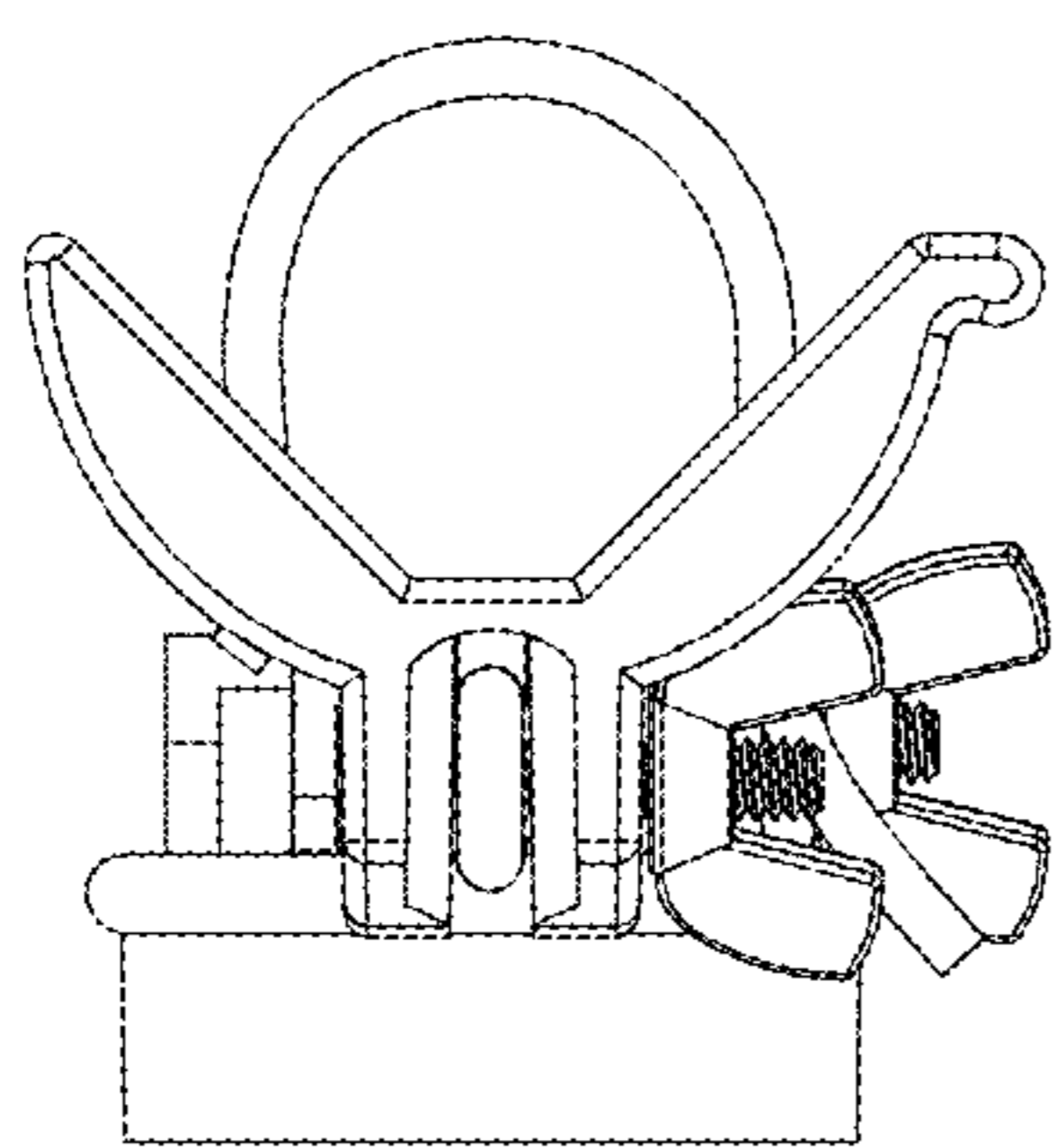


FIG. 4

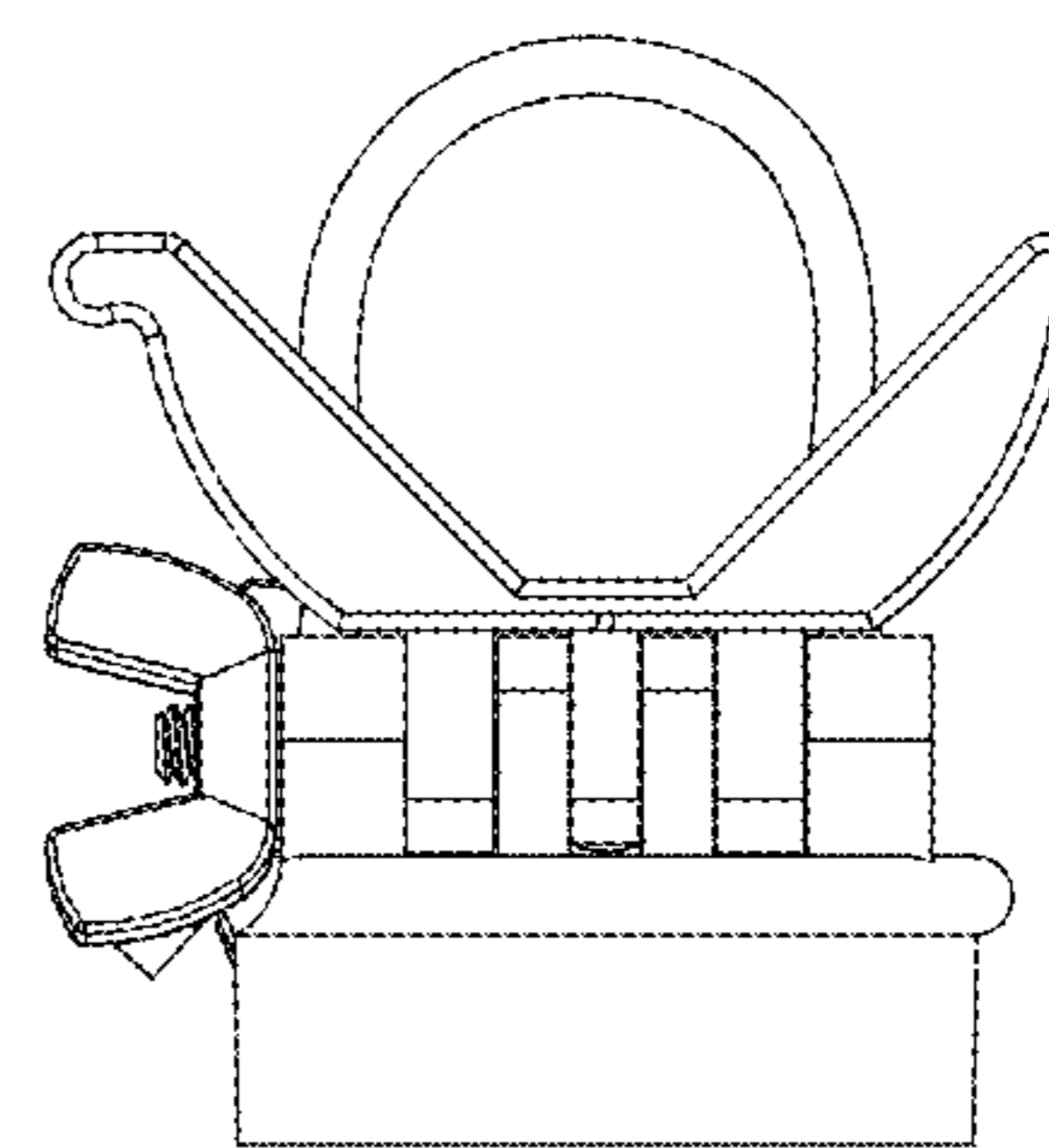
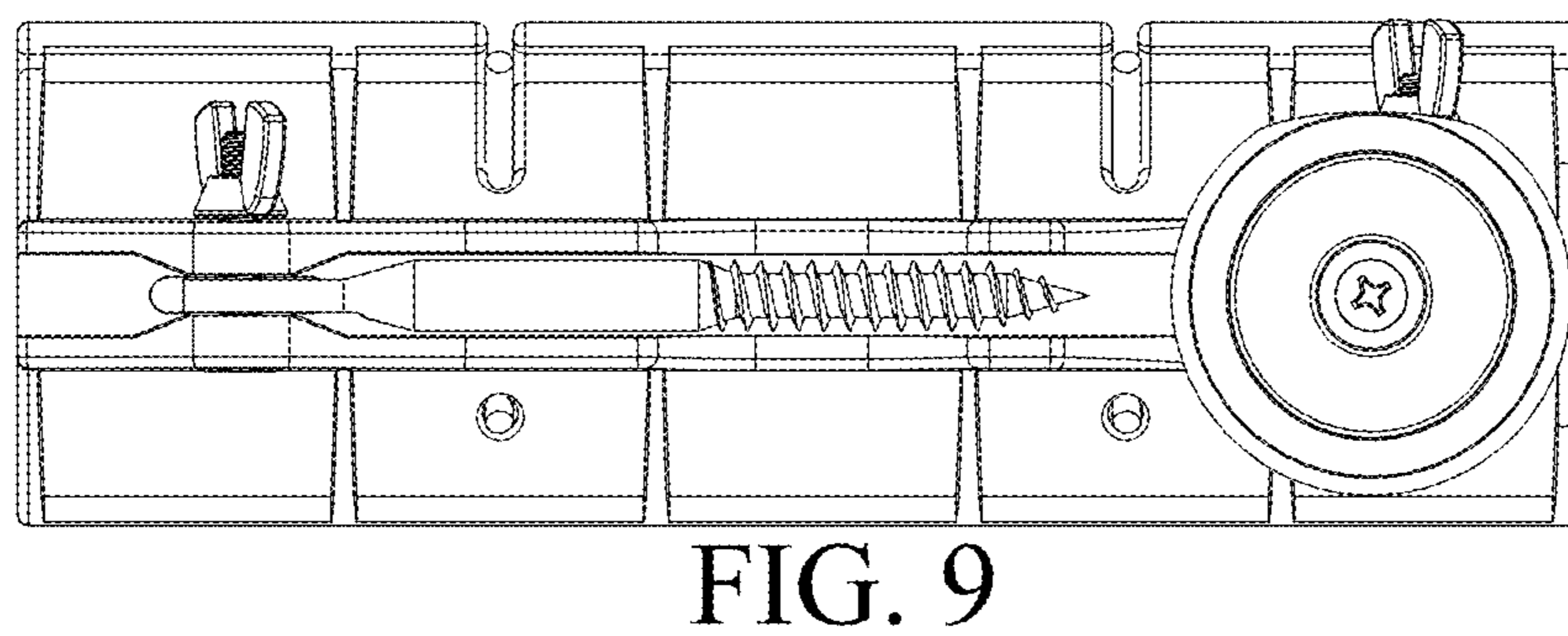
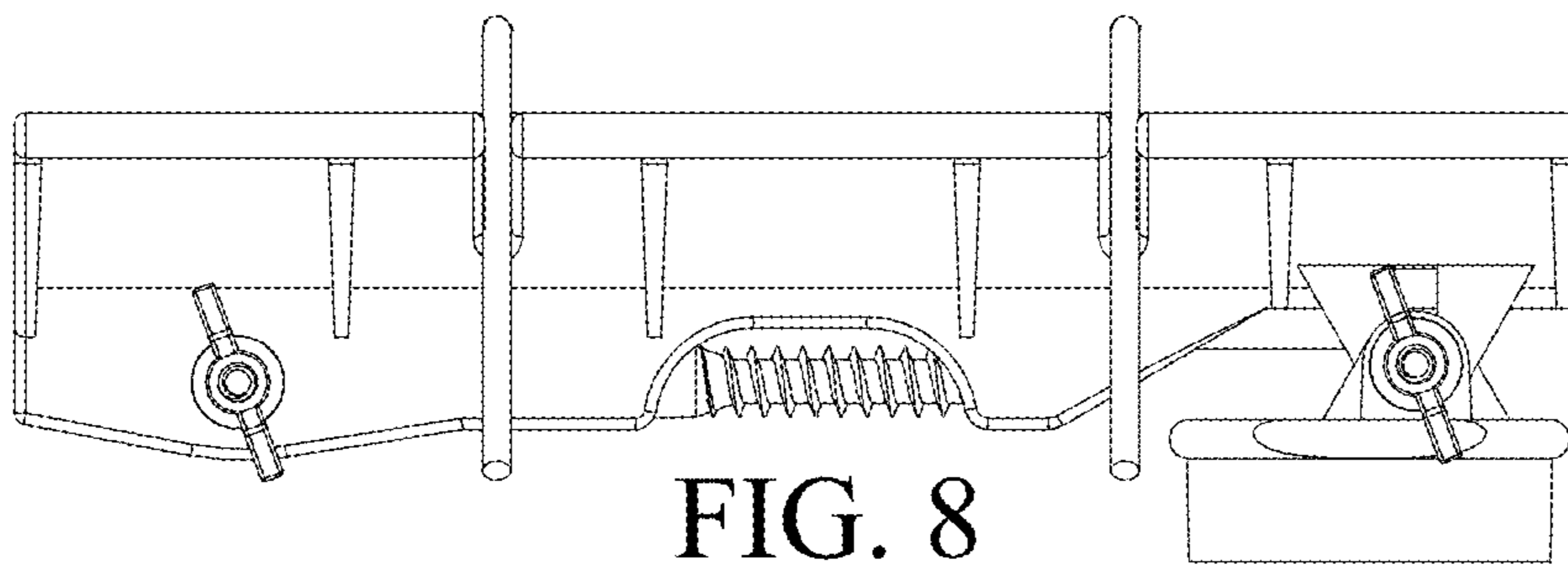
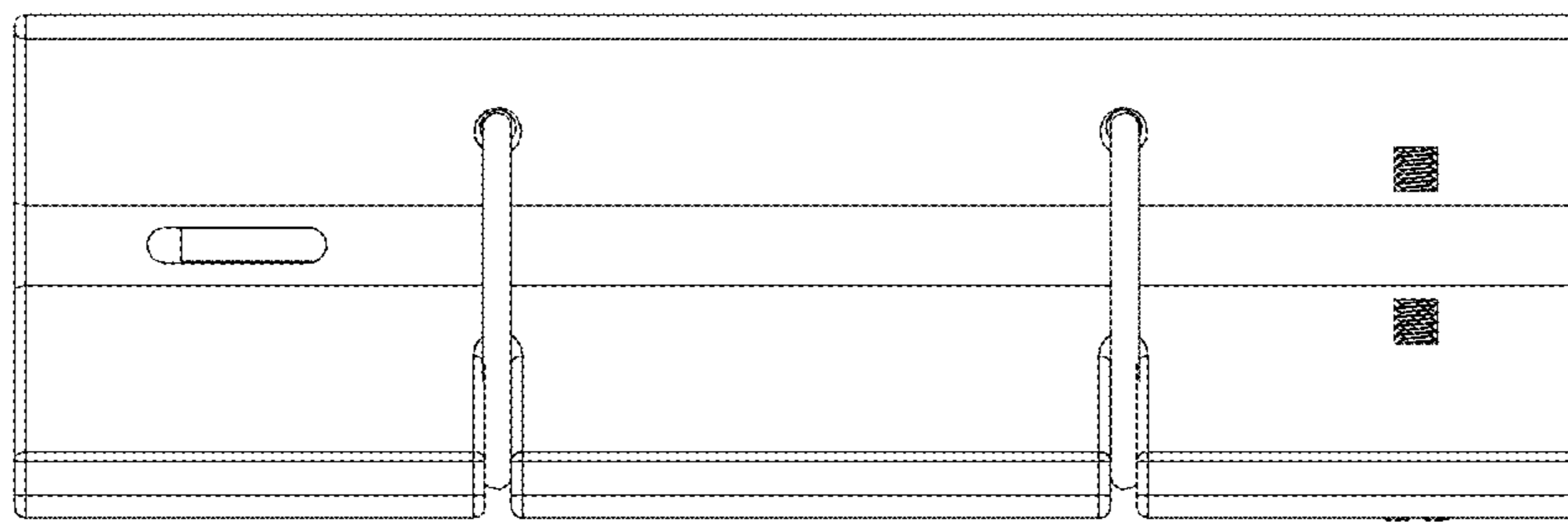
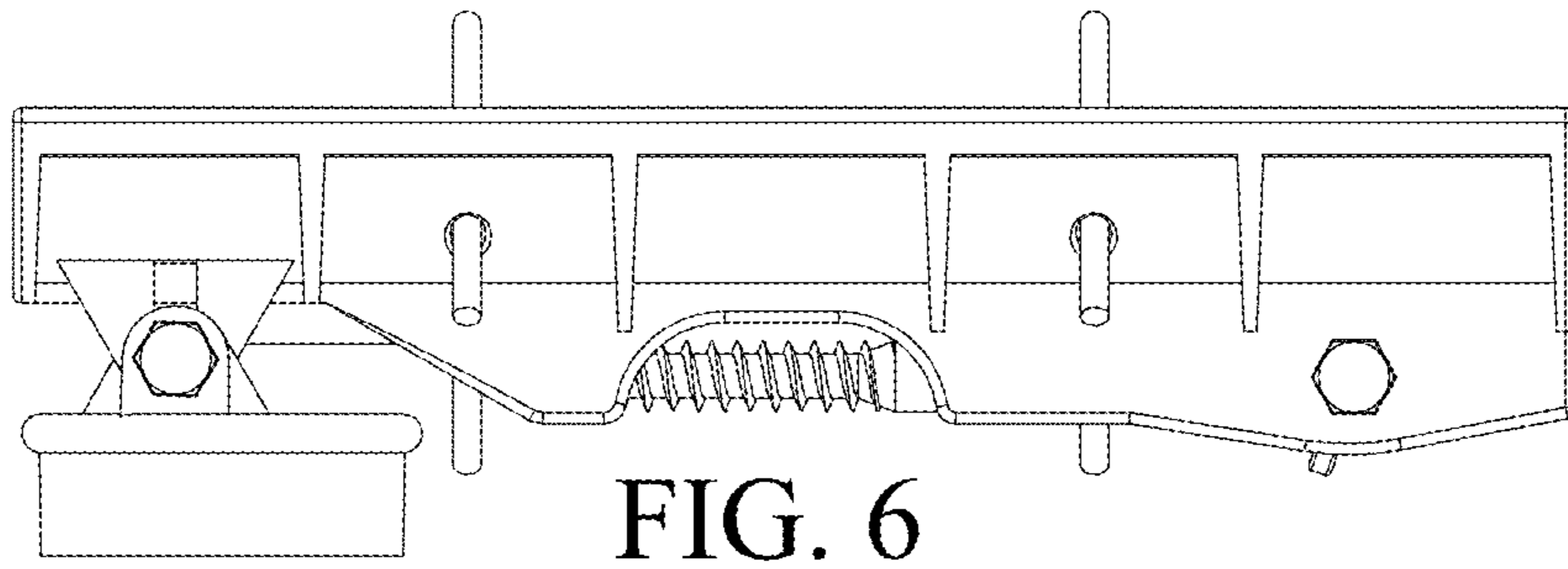


FIG. 5



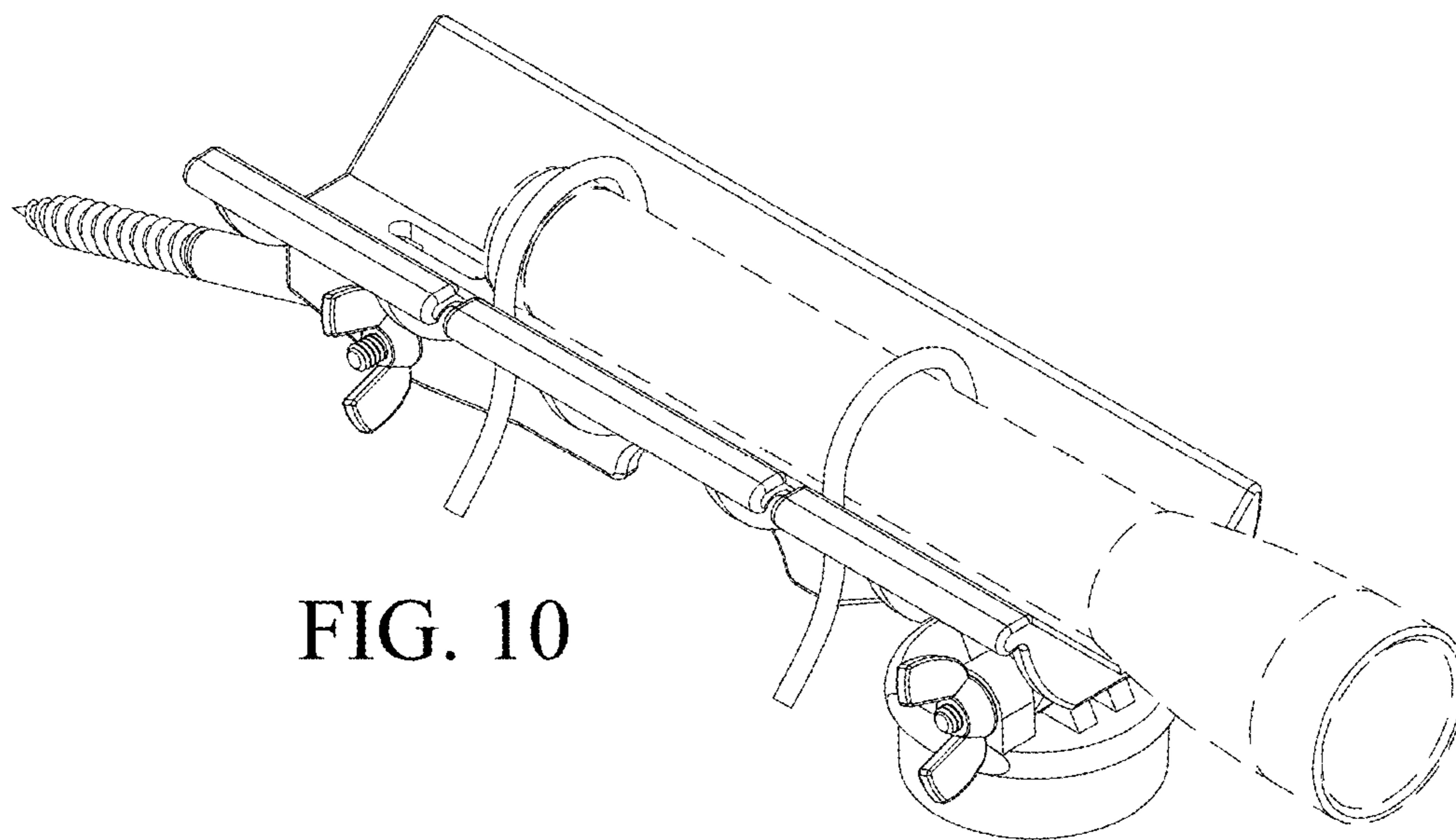


FIG. 10

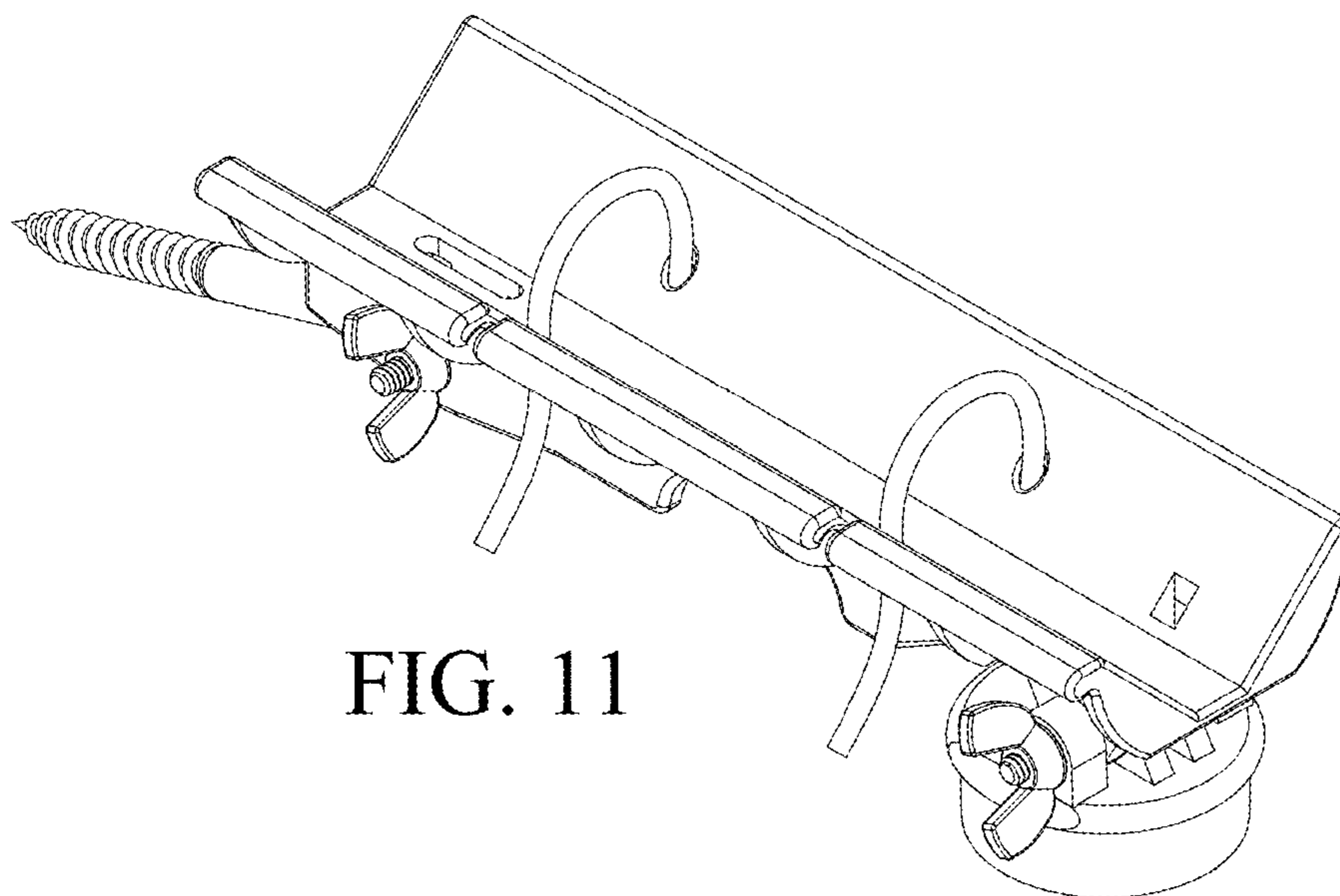


FIG. 11

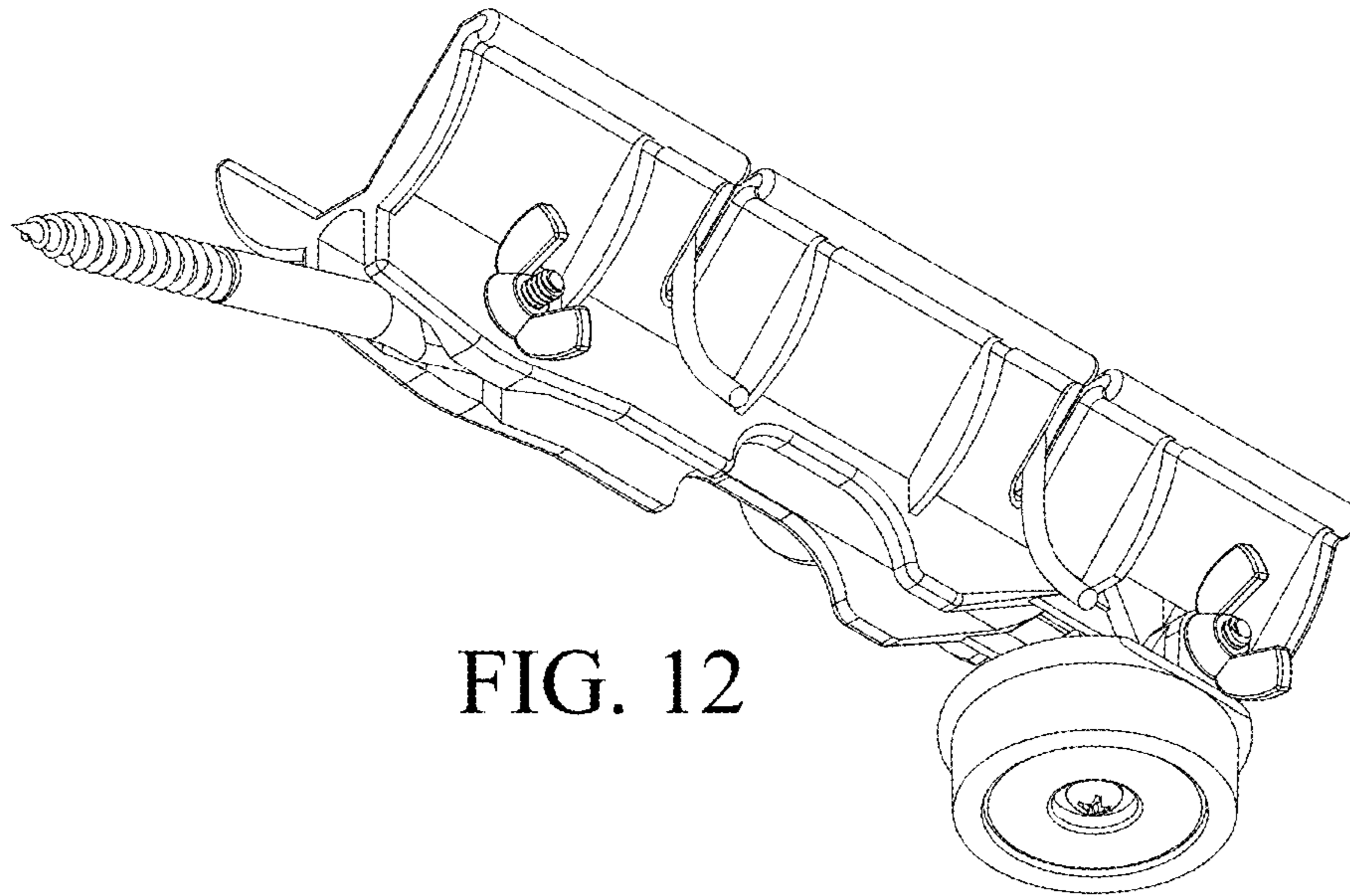


FIG. 12

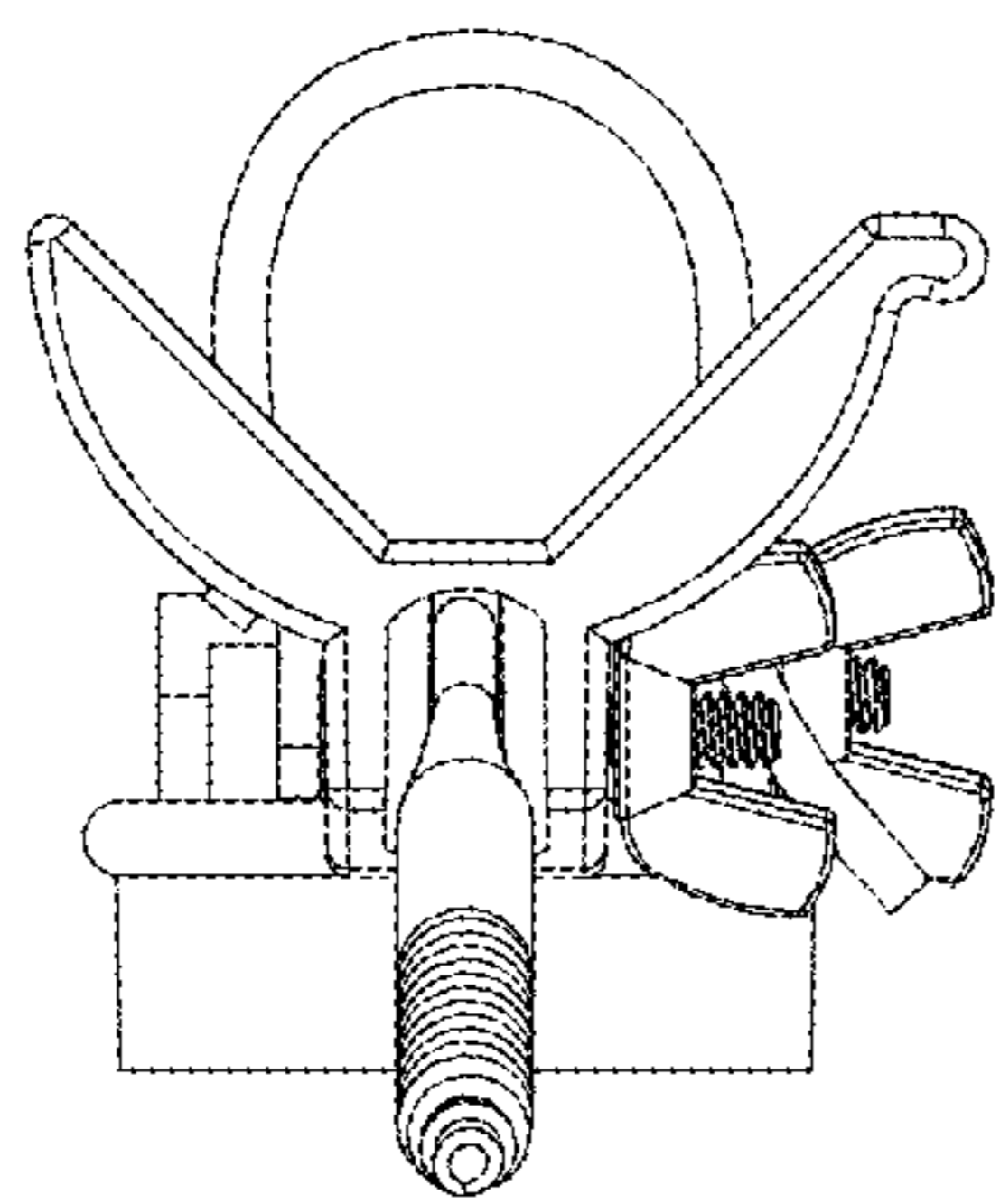


FIG. 13

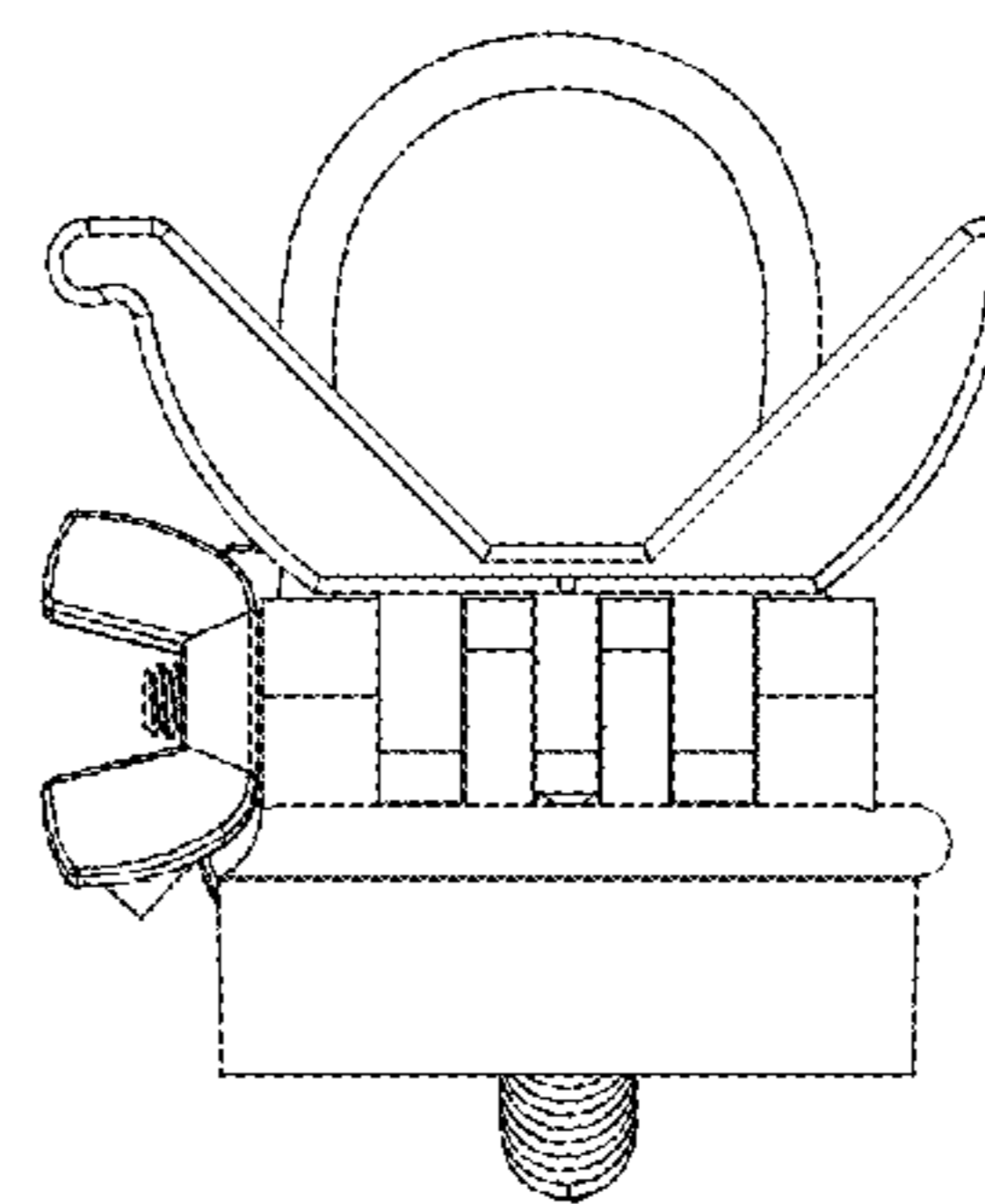


FIG. 14

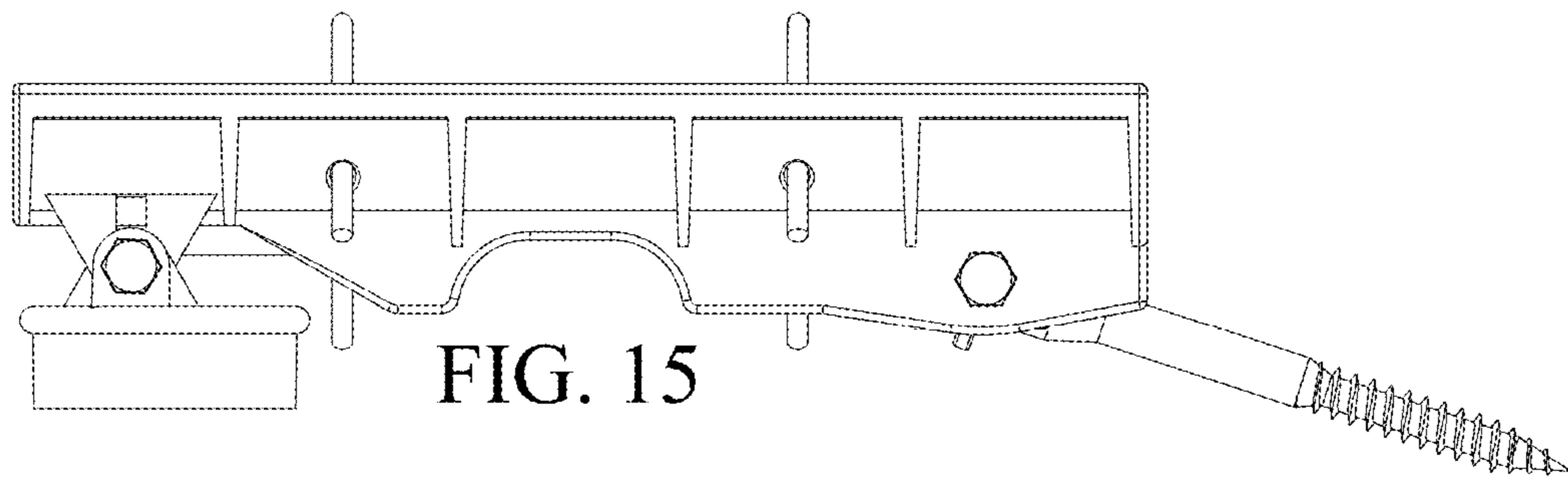


FIG. 15

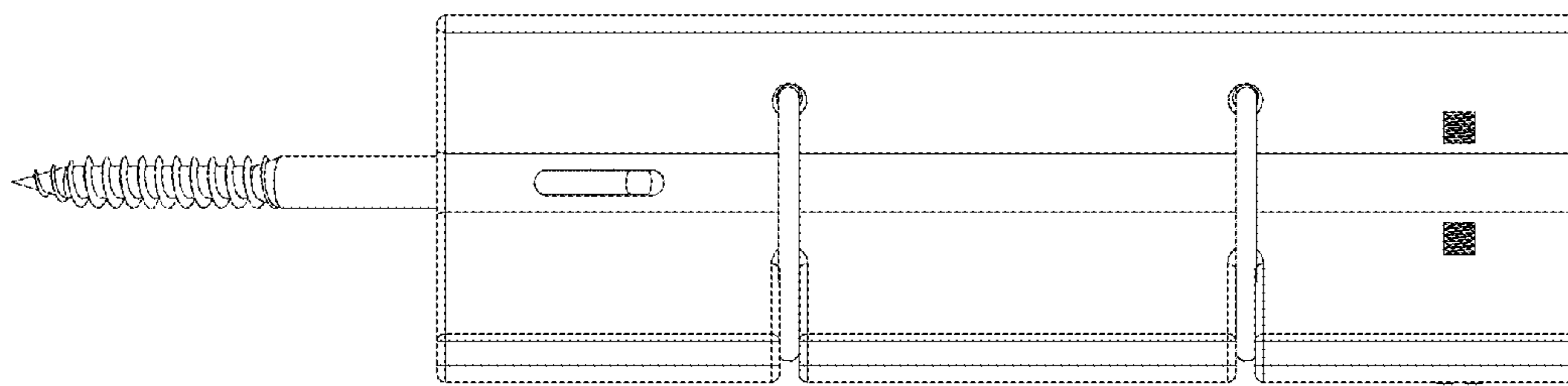


FIG. 16

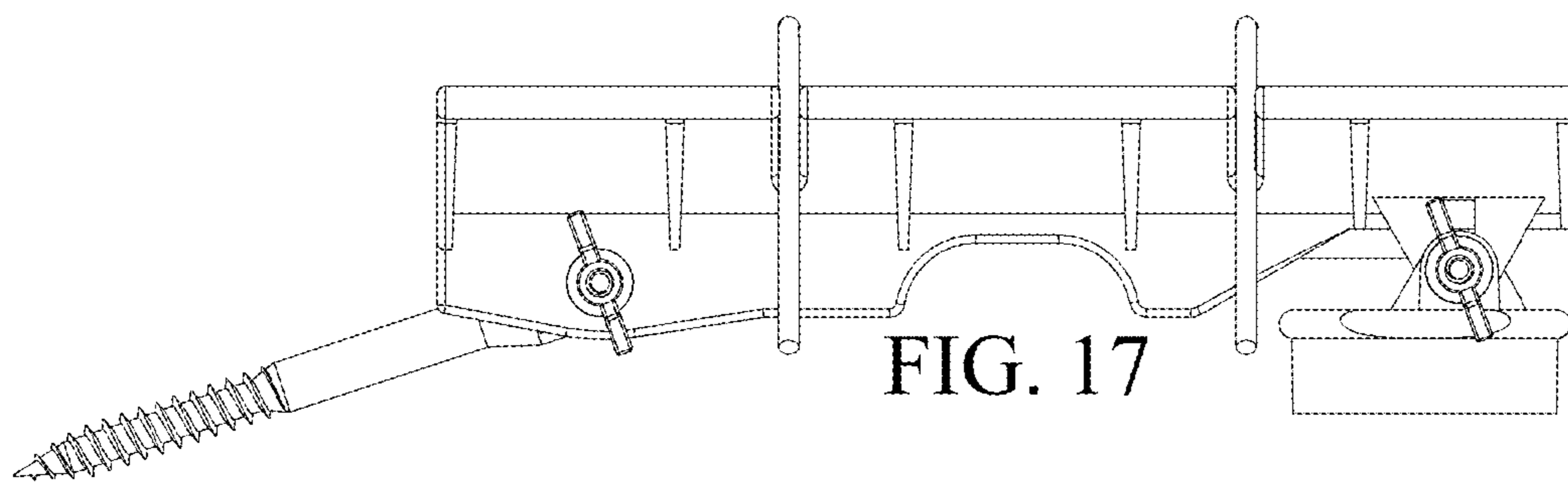


FIG. 17

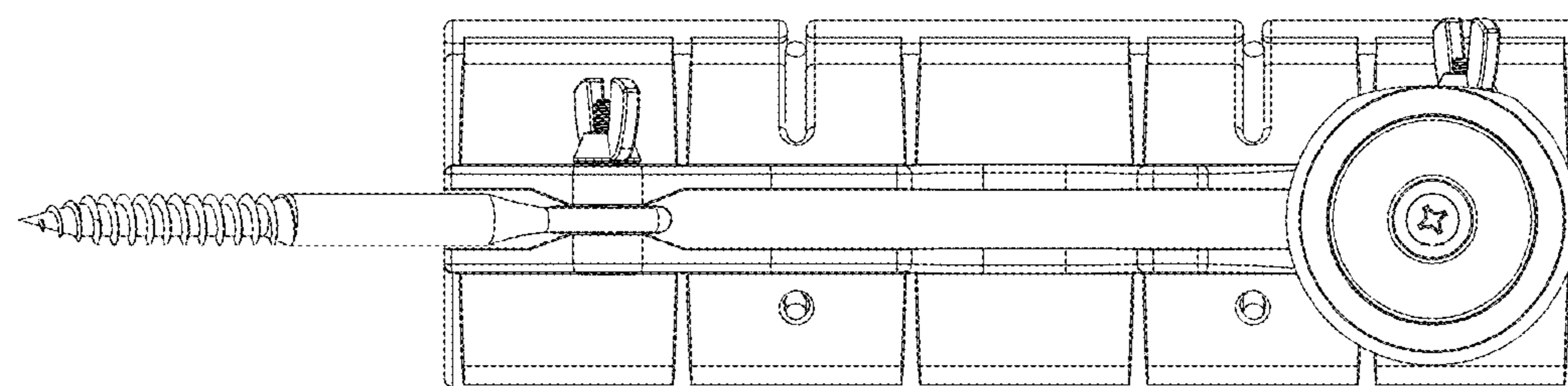


FIG. 18