



US00D771304S

(12) **United States Design Patent** (10) **Patent No.:** **US D771,304 S**  
**Goltche** (45) **Date of Patent:** **\*\* Nov. 8, 2016**

(54) **LED LIGHT LENS**  
(71) Applicant: **Yehuda Goltche**, Great Neck, NY (US)  
(72) Inventor: **Yehuda Goltche**, Great Neck, NY (US)  
(\*\*) Term: **15 Years**

D681,866 S \* 5/2013 Lin ..... D26/120  
D700,098 S \* 2/2014 Deyaf ..... D10/114.4  
D709,221 S \* 7/2014 Tsai ..... D26/28  
D712,086 S \* 8/2014 Barbato ..... D26/122  
D740,471 S \* 10/2015 Yu ..... D26/28  
D747,018 S \* 1/2016 Hansen ..... D26/28  
D760,104 S \* 6/2016 Jacobs ..... D10/114.4

(21) Appl. No.: **29/546,842**  
(22) Filed: **Nov. 25, 2015**  
(51) **LOC (10) Cl.** ..... **26-99**  
(52) **U.S. Cl.**  
USPC ..... **D26/120**  
(58) **Field of Classification Search**  
USPC ..... D26/120, 118, 47, 73, 94, 113, 122,  
D26/125, 128, 147, 72, 85; D10/114.4,  
D10/114.3; 362/335, 336, 293, 334, 147,  
362/241, 291, 319, 341, 347, 361, 806  
CPC ..... F21V 11/00; F21V 21/02; F21V 5/04;  
F21V 5/08; B60Q 1/2611; B60R 1/12  
See application file for complete search history.

**OTHER PUBLICATIONS**

Blazer Running Light, posted on autozone.com, no availability date given, no production date given, [online], [site visited Sep. 7, 2016], Available from Internet, <URL: [http://www.autozone.com/exterior-lighting/running-light/blazer-led-running-board-light/415816/?\\_requestid=5648031](http://www.autozone.com/exterior-lighting/running-light/blazer-led-running-board-light/415816/?_requestid=5648031)>.\*

(Continued)

*Primary Examiner* — Eric Goodman  
*Assistant Examiner* — Fritzgerald Butac  
(74) *Attorney, Agent, or Firm* — Dunlap Bennett & Ludwig PLLC

(56) **References Cited**

(57) **CLAIM**  
The ornamental design for a LED light lens, as shown and described.

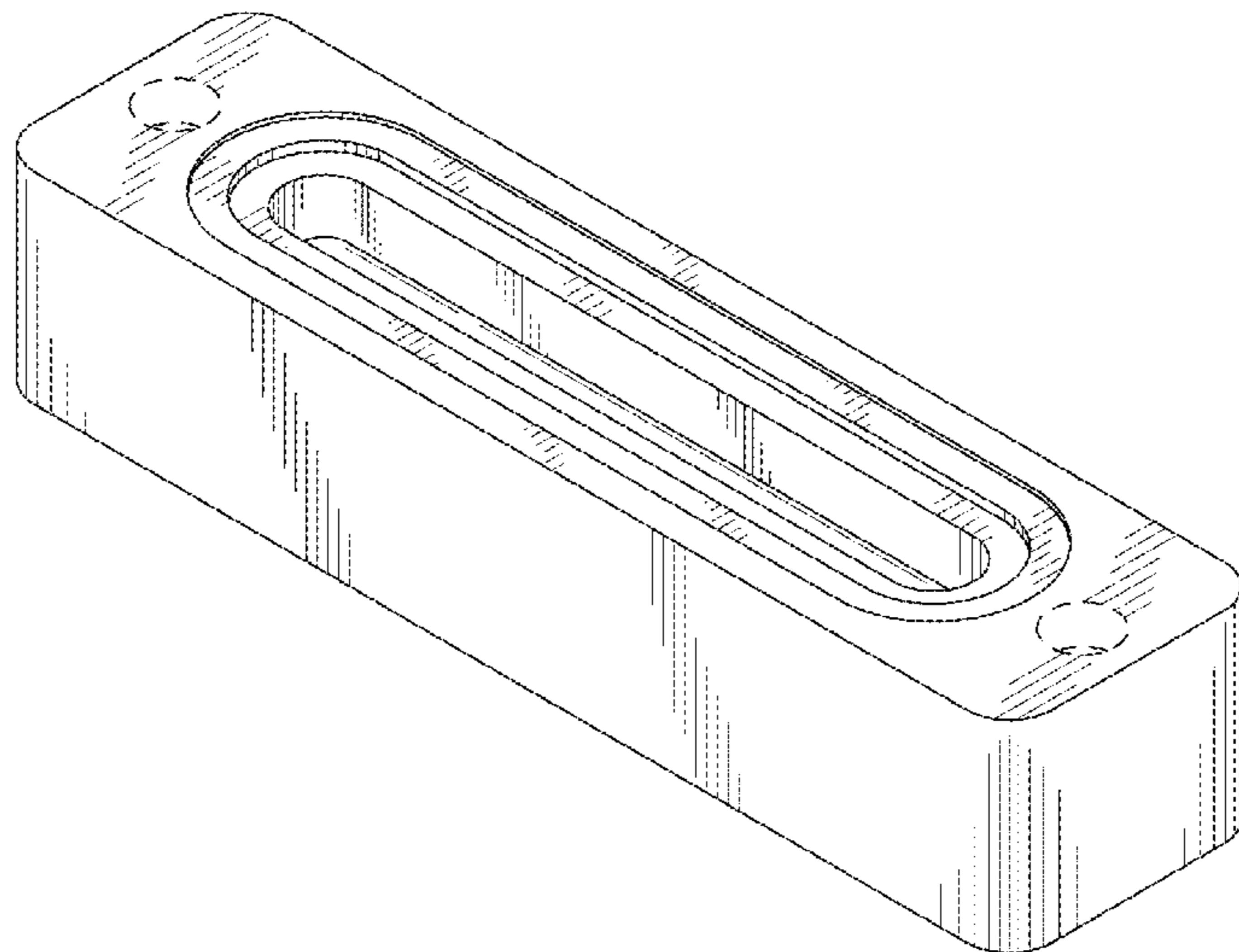
**U.S. PATENT DOCUMENTS**

**DESCRIPTION**

D118,717 S \* 1/1940 Alm ..... D26/120  
D284,557 S \* 7/1986 Ferenc ..... D10/114.4  
D345,316 S \* 3/1994 Green ..... D10/114.4  
D494,081 S \* 8/2004 Boilen ..... D10/114.4  
D499,976 S \* 12/2004 Neufeglise ..... D10/114.4  
D617,226 S \* 6/2010 Cai ..... D10/114.4  
D627,672 S \* 11/2010 Shin ..... D10/114.1  
D627,921 S \* 11/2010 Chen ..... D26/138  
D632,199 S \* 2/2011 Jacobs ..... D10/114.4  
D642,726 S \* 8/2011 Khubani ..... D26/37  
D644,135 S \* 8/2011 Cai ..... D10/114.4  
D658,526 S \* 5/2012 Shin ..... D10/114.4  
D671,674 S \* 11/2012 Cho ..... D26/118  
D672,913 S \* 12/2012 Lin ..... D26/120  
D675,370 S \* 1/2013 Lin ..... D26/120  
D677,422 S \* 3/2013 Lin ..... D26/120

FIG. 1 is a front perspective view of a LED light lens; FIG. 2 is a top plan view thereof; FIG. 3 is a bottom plan view thereof; FIG. 4 is a right elevation view thereof, the left elevation view being a mirror image thereof; FIG. 5 is a front elevation view thereof, the rear elevation view being a mirror image thereof; and, FIG. 6 is a section view taken along line 6-6 in FIG. 2. The remaining broken lines shown in the drawings depict portions of the LED light lens that form no part of the claimed design.

**1 Claim, 3 Drawing Sheets**



(56)

**References Cited**

OTHER PUBLICATIONS

USB 3.1 Adapter [1x USB-C Stecker—Buchse, HDMI-Buchse, USB 3.0 Buchse A] Weiss Apple, posted on conrad.at, no availability date given, no production date given, [online], [site visited on Sep. 7, 2016], Available from Internet, <URL: <https://www.conrad.at/de/usb-31-adapter-1x-usb-c-stecker-1x-usb-c-buchse-hdmi-buchse-usb-30-buchse-a-weiss-apple-1>>.\*

Grand General 77650 Amber Thin Line 6-LED Marker and Clearance Sealed Light, posted on amazon.com, no production date given, first available Aug. 6, 2013, [online], [site visited Sep. 8, 2016], Available from Internet, <URL: [https://www.amazon.com/Grand-General-77650-Marker-Clearance/dp/B00ECTQNF6/ref=pd\\_sim\\_263\\_2?ie=UTF8&psc=1&refRID=8X63MSVGJGFC4](https://www.amazon.com/Grand-General-77650-Marker-Clearance/dp/B00ECTQNF6/ref=pd_sim_263_2?ie=UTF8&psc=1&refRID=8X63MSVGJGFC4)>.\*

\* cited by examiner

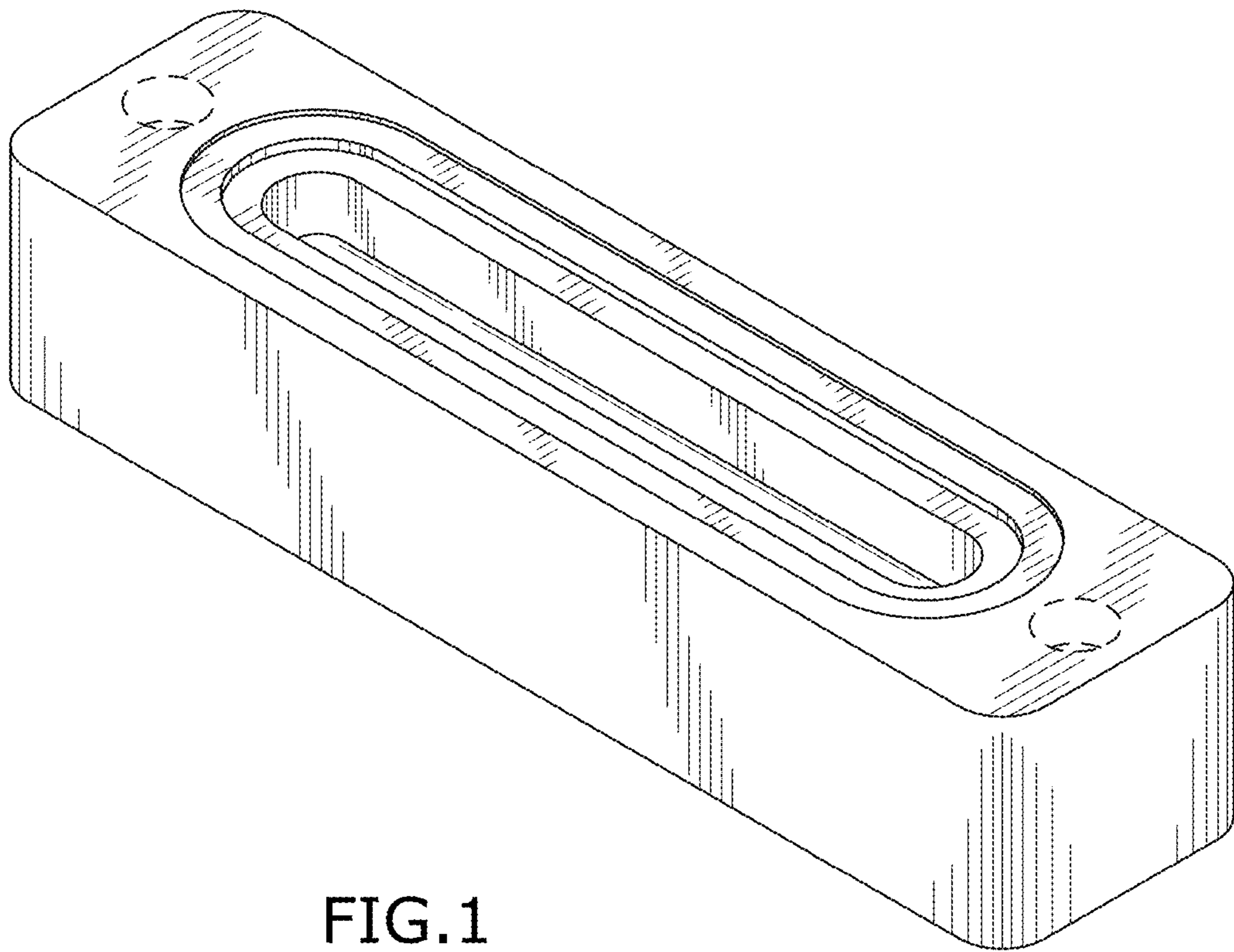


FIG.1

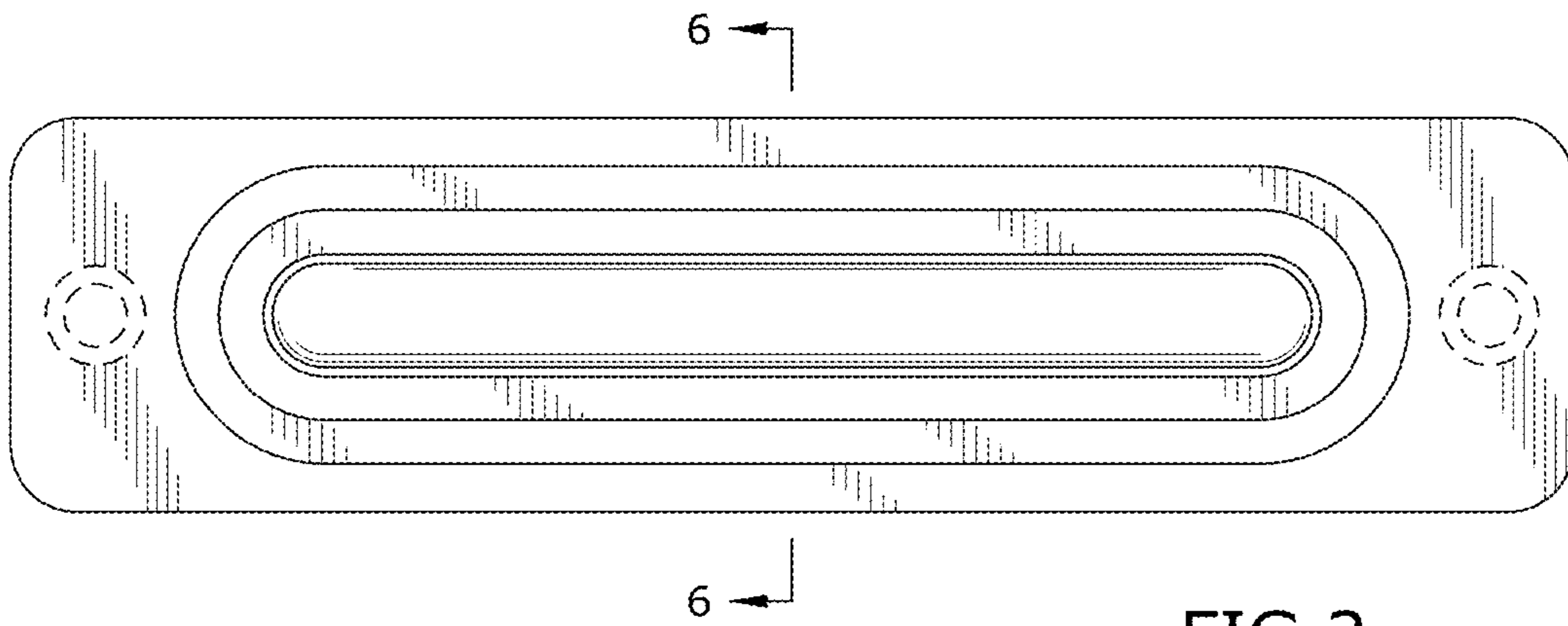


FIG. 2

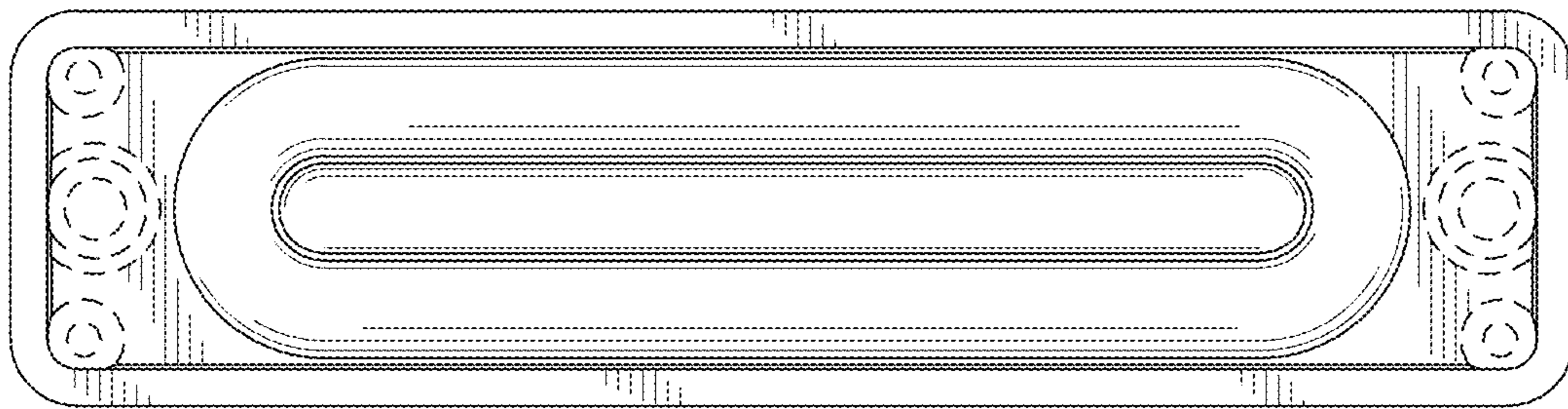


FIG. 3



FIG. 4

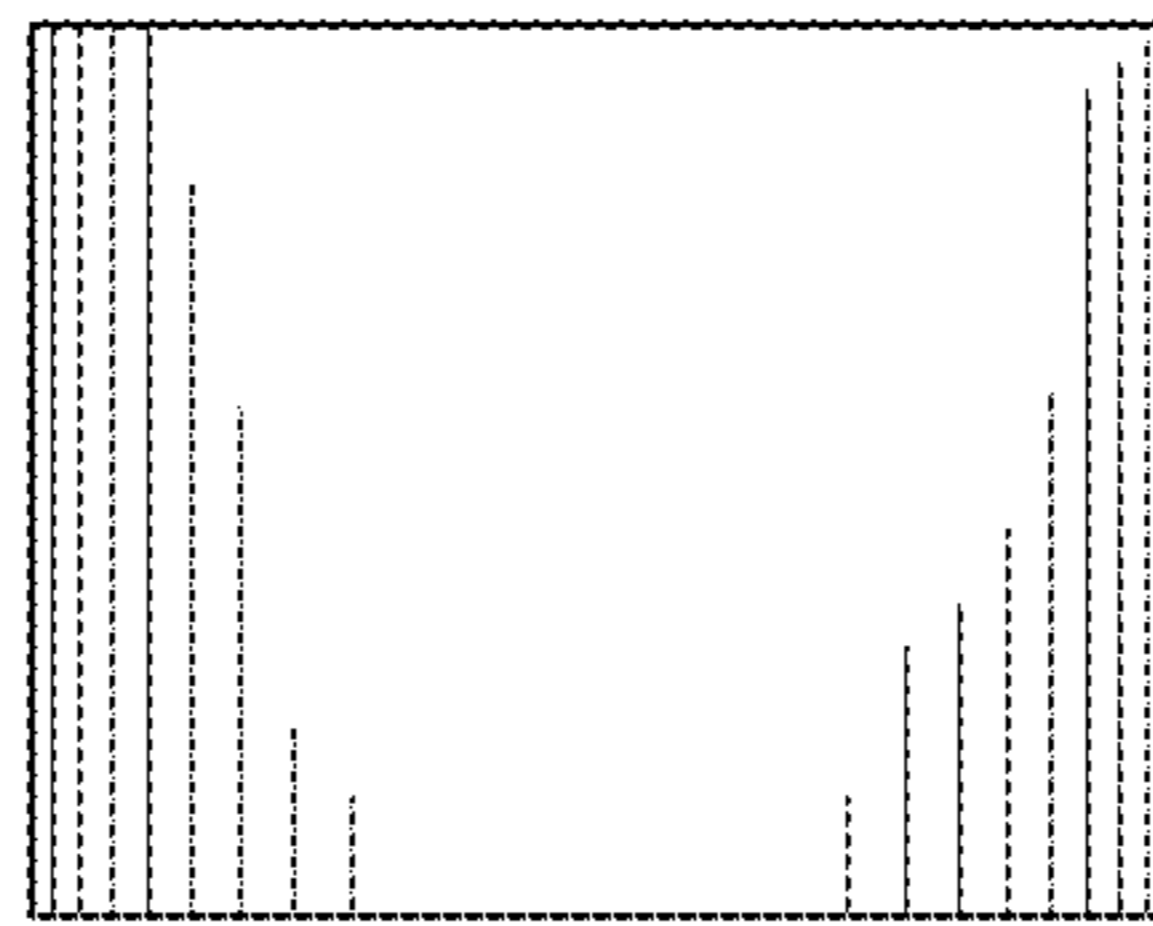


FIG. 5

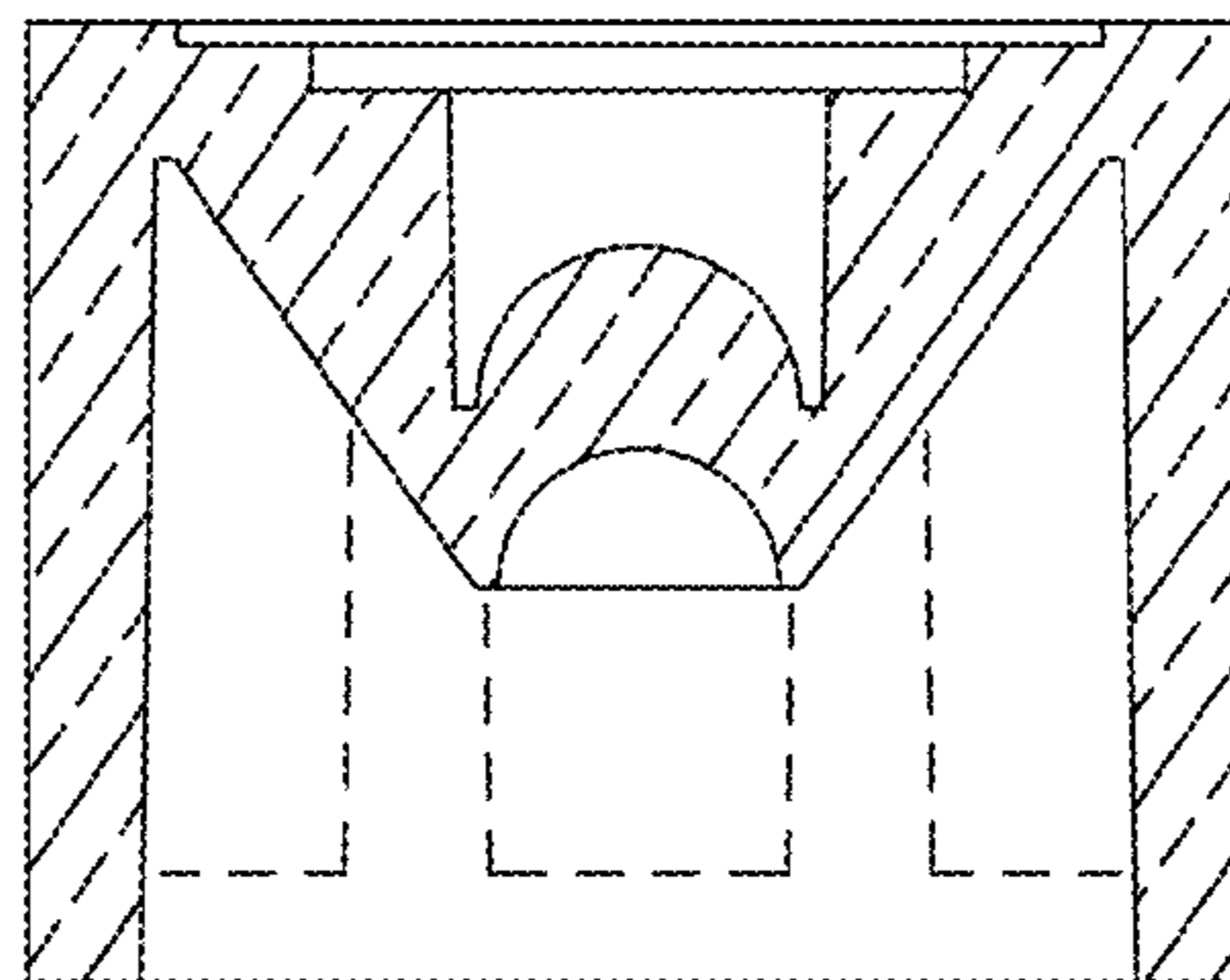


FIG. 6