



US00D771302S

(12) **United States Design Patent** (10) **Patent No.:** **US D771,302 S**
Ross (45) **Date of Patent:** **** Nov. 8, 2016**

(54) **ILLUMINATION DIFFUSER**
(71) Applicant: **Big Trike Inc.**, Lebanon, NH (US)
(72) Inventor: **Elizabeth Ross**, Windsor, VT (US)
(73) Assignee: **BIG TRIKE INC.**, Lebanon, NH (US)
(**) Term: **14 Years**

(21) Appl. No.: **29/501,339**
(22) Filed: **Sep. 3, 2014**
(51) **LOC (10) Cl.** **26-99**
(52) **U.S. Cl.**
USPC **D26/118**
(58) **Field of Classification Search**
USPC D26/2, 28, 72, 89, 113, 118, 119, 120,
D26/122, 124, 128, 138, 142, 143, 145, 60;
D13/180
CPC F41C 27/00; F41C 33/0254; G02B 5/045;
G02B 5/189; F21S 8/00; F21S 8/03; F21S
8/026; F21S 8/02; F21S 8/003; F21S 8/043;
F21S 8/06; F21S 8/04; F21V 7/005; F21V
15/01; F21V 15/04; F21V 25/00; G02F
2001/133607; F21Y 2103/00
See application file for complete search history.

(56) **References Cited**
U.S. PATENT DOCUMENTS
65,124 A 5/1867 Saunders
1,020,557 A * 3/1912 Hunter A47F 3/005
312/107
1,406,645 A * 2/1922 Heany H01K 1/14
313/15
D65,124 S 7/1924 Look
1,535,408 A 4/1925 Fricke
1,545,711 A * 7/1925 Townsend F21S 8/033
362/305
1,730,632 A 10/1929 Shoenberg
1,803,571 A * 5/1931 Ulman A01K 63/06
119/267
D96,763 S 9/1935 Kennedy
2,063,504 A * 12/1936 Horwitt F21V 1/00
362/320

2,075,364 A * 3/1937 Smith F21L 14/00
200/51.02
2,217,877 A * 10/1940 Petry A47G 33/0836
362/121
2,551,029 A * 5/1951 MacKay F21V 19/04
362/20
2,551,954 A * 5/1951 Lehman F21V 5/02
359/592

(Continued)

OTHER PUBLICATIONS

Crystal Box Ceiling Light , image post date Dec. 17, 2013, site visited Nov. 17, 2015, (online), <<https://www.tineye.com/search/6fedd7f540adc0360011b962d3aa249811d37fdf/>>.*

(Continued)

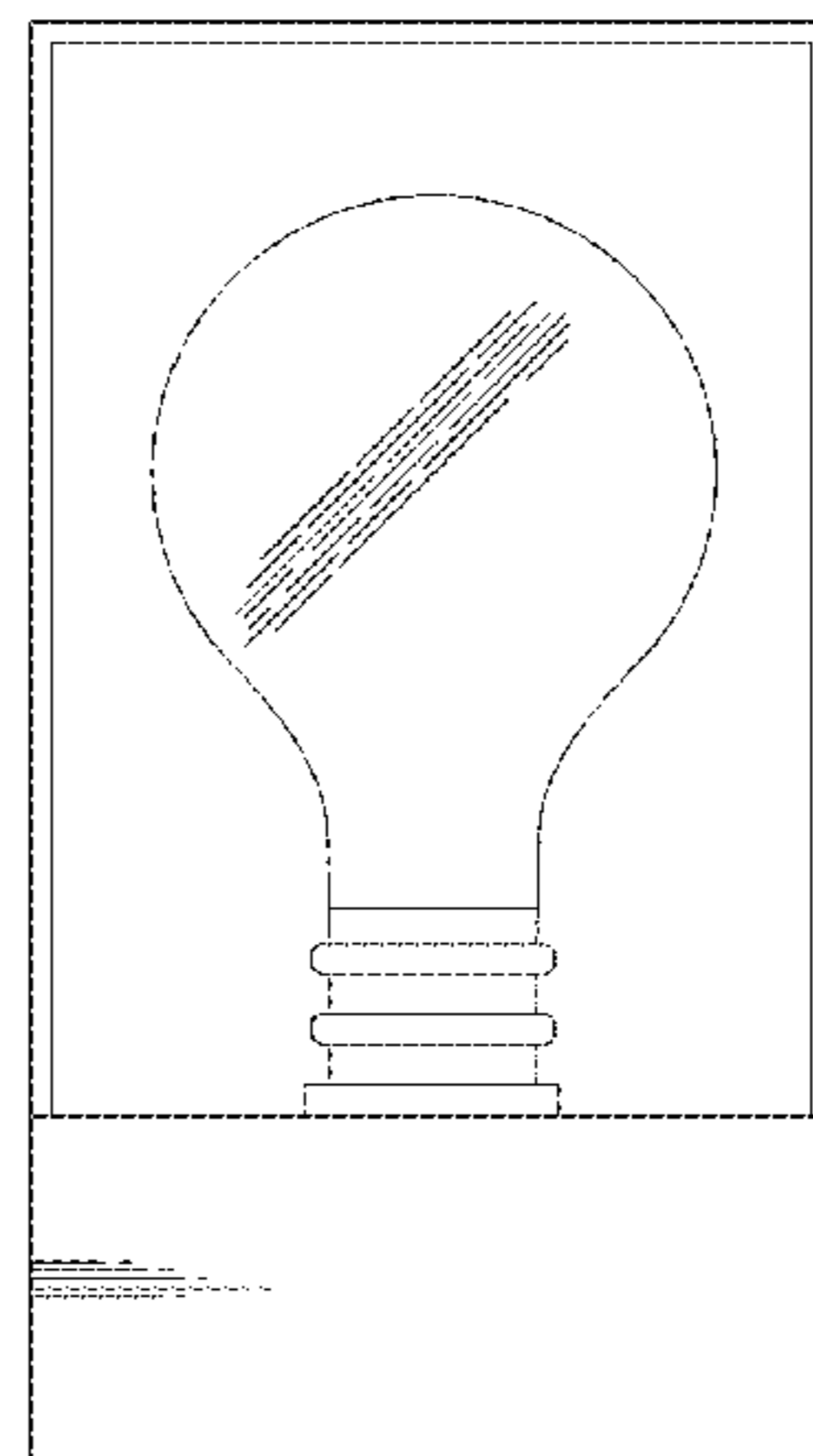
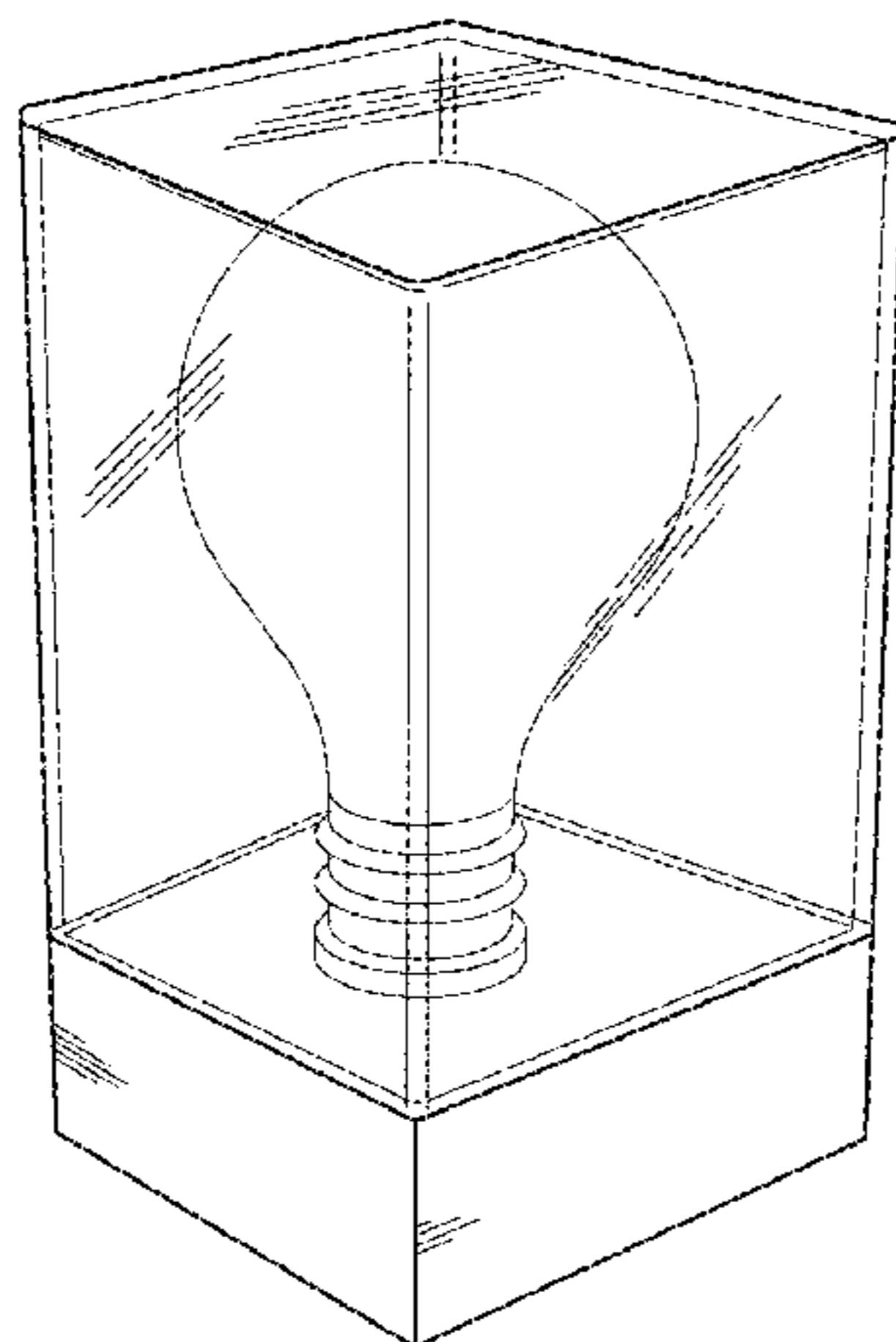
Primary Examiner — Kevin Rudzinski
Assistant Examiner — Sean D Lough
(74) *Attorney, Agent, or Firm* — Dorsey & Whitney LLP

(57) **CLAIM**
The ornamental design for the illumination diffuser, as shown and described.

DESCRIPTION

FIG. 1 is a perspective view of an illumination diffuser, according to a first embodiment;
FIG. 2 is a side view of the illumination diffuser, according to a first embodiment;
FIG. 3 is a top view of the illumination diffuser, according to a first embodiment;
FIG. 4 is a bottom view of the illumination diffuser, according to a first embodiment;
FIG. 5 is a perspective view of an illumination diffuser, according to a second embodiment;
FIG. 6 is a side view of the illumination diffuser, according to a second embodiment;
FIG. 7 is a top view of the illumination diffuser, according to a second embodiment; and,
FIG. 8 is a bottom view of the illumination diffuser, according to a second embodiment.
The broken lines present in the second embodiment (FIGS. 5-8) illustrate portions of the illumination diffuser that form no part of the claimed design.

1 Claim, 4 Drawing Sheets



(56)

References Cited

U.S. PATENT DOCUMENTS

- 3,009,053 A * 11/1961 Shaw F21S 8/06
362/294
- 3,059,373 A * 10/1962 Gardner A01M 1/04
362/388
- 3,106,318 A 10/1963 Cook
- 3,109,252 A 11/1963 Schellenberg
- D204,899 S 5/1966 Curry
- 3,358,133 A * 12/1967 Hoxie F21S 8/086
362/282
- D214,186 S 5/1969 Meltzer
- 3,610,918 A * 10/1971 Barlow F21S 10/00
362/232
- 3,658,413 A * 4/1972 Cornell G02B 27/022
40/720
- D225,259 S 11/1972 Skupien
- 3,840,732 A * 10/1974 Cohen G09F 19/16
362/294
- D244,875 S 6/1977 Boca
- 4,079,245 A * 3/1978 Baker F21S 8/06
362/355
- 4,121,279 A * 10/1978 Whitesel F21S 2/005
362/297
- 4,211,959 A * 7/1980 Deavenport F21V 23/04
200/600
- D259,514 S * 6/1981 Welch D26/26
- D263,084 S * 2/1982 Suzuki D26/104
- D265,001 S * 6/1982 Graham D26/104
- 4,400,766 A 8/1983 Munson
- D271,046 S 10/1983 Perkins
- D280,238 S * 8/1985 Hermanson D26/2
- 4,553,680 A * 11/1985 Griggs A47F 3/005
220/4.33
- 4,617,614 A * 10/1986 Lederer F21S 6/001
362/212
- D291,012 S 7/1987 Liljeqvist
- 4,754,377 A 6/1988 Wenman
- D299,557 S 1/1989 Porcelli
- D300,669 S 4/1989 Russello et al.
- D307,638 S * 5/1990 Perkins D26/104
- D309,787 S 8/1990 Chien
- D316,152 S 4/1991 Barbuto
- D316,459 S 4/1991 Kira
- D318,131 S 7/1991 Bonander
- D318,681 S 7/1991 Savage
- 5,068,772 A 11/1991 Shapiro et al.
- 5,125,726 A * 6/1992 Hahn A47F 3/12
312/114
- D328,503 S * 8/1992 Masahara D26/104
- D328,651 S * 8/1992 Leonard D11/131
- D328,799 S * 8/1992 Leonard D11/131
- D328,956 S * 8/1992 Leonard D11/131
- D329,301 S * 9/1992 Leonard D11/131
- D336,244 S * 6/1993 Arai D9/414
- D346,869 S * 5/1994 Houssian D26/26
- 5,372,269 A 12/1994 Sutton
- D354,146 S * 1/1995 Chamberlain D26/3
- D361,071 S 8/1995 Mark
- 5,558,416 A * 9/1996 Dumitru A47F 3/12
16/82
- D377,229 S 1/1997 Shalvi
- D377,402 S * 1/1997 Perkins D26/135
- 5,597,234 A 1/1997 Winkelhake
- 5,622,424 A * 4/1997 Brady A47G 1/0622
362/644
- 5,676,446 A * 10/1997 Gold G02B 6/4298
362/263
- D389,267 S * 1/1998 Sutton D11/131
- D392,407 S 3/1998 Johnson
- D396,316 S * 7/1998 Wang D26/107
- D397,489 S * 8/1998 Alexander D26/118
- D398,066 S 9/1998 Noel
- D399,330 S 10/1998 Geier et al.
- D400,289 S * 10/1998 Wardenburg D26/118
- D402,391 S 12/1998 Manarin
- 5,860,724 A * 1/1999 Cheng F21K 2/06
206/219
- D421,313 S * 2/2000 Bowker D26/24
- D426,668 S * 6/2000 Hollinger D26/125
- 6,186,637 B1 2/2001 Murrietta
- D449,525 S * 10/2001 Sturgess D9/432
- 6,336,735 B1 1/2002 Eddins
- D465,874 S * 11/2002 Garvin D26/104
- D472,009 S * 3/2003 Eisenberg D26/96
- 6,550,936 B2 4/2003 Foley
- D482,158 S * 11/2003 Velikov D26/128
- D485,003 S * 1/2004 Olson D26/104
- D485,004 S 1/2004 Olson
- D487,524 S 3/2004 Lin
- D488,249 S 4/2004 Opolka
- D488,581 S 4/2004 Shieh
- 6,729,748 B2 * 5/2004 Reilly F21S 6/001
313/315
- D490,616 S * 6/2004 Ljahnicky D6/329
- D492,799 S * 7/2004 Friedman D26/26
- D494,309 S 8/2004 Becker
- D495,819 S 9/2004 Krieger
- D498,502 S * 11/2004 Duke D20/10
- D500,571 S * 1/2005 Burke D26/92
- D501,059 S * 1/2005 Curtin D26/118
- D506,025 S * 6/2005 Chen D26/2
- D507,374 S 7/2005 Chen
- D512,661 S * 12/2005 Morris D11/131
- 7,016,802 B2 3/2006 Flaherty
- D518,408 S * 4/2006 Harrity D11/131
- D518,857 S * 4/2006 Miller D20/29
- D537,201 S * 2/2007 McLeish D28/8.1
- D540,961 S * 4/2007 Hrubowchak D26/2
- D541,461 S 4/2007 Flaherty
- D552,633 S * 10/2007 Volkan D11/157
- D556,077 S 11/2007 O'Neill
- D564,258 S 3/2008 Palmer
- D564,693 S 3/2008 Ziliani
- D566,882 S 4/2008 Min
- D567,401 S 4/2008 Mason, II
- D570,035 S 5/2008 Franklin
- D572,581 S * 7/2008 Steele, IV D9/517
- 7,401,935 B2 * 7/2008 VanderSchuit F21V 33/0028
362/101
- D575,183 S 8/2008 Seitz
- D575,899 S 8/2008 Meeker
- D576,752 S * 9/2008 Kubicek D26/20
- D576,759 S 9/2008 Meeker et al.
- D581,091 S * 11/2008 Hofer D26/142
- D581,568 S 11/2008 Bertken
- D583,492 S 12/2008 Jen
- D583,976 S * 12/2008 Horn D26/72
- 7,476,002 B2 * 1/2009 Wolf A01M 1/2083
362/231
- D589,203 S * 3/2009 Sabernig D26/104
- D591,895 S 5/2009 Sabernig
- D592,784 S * 5/2009 van den Dool D26/75
- D596,074 S * 7/2009 Bodum D11/155
- D600,396 S 9/2009 Luinstra
- D601,294 S 9/2009 Leon
- D603,546 S 11/2009 Kay
- D605,976 S * 12/2009 Beier D11/184
- D608,840 S * 1/2010 Crutchfield D21/373
- D609,562 S 2/2010 Zimmerman
- D611,726 S * 3/2010 DeVelde D6/661
- D612,093 S 3/2010 Espiau et al.
- D612,976 S * 3/2010 Meeker D26/101
- D617,480 S 6/2010 DeBrunner
- D622,959 S * 9/2010 Zalewski D3/273
- D623,780 S * 9/2010 Seum D26/6
- D626,280 S 10/2010 Feigenbaum
- D629,153 S * 12/2010 Chen D26/128
- D638,112 S * 5/2011 Hisey D23/366
- D639,494 S 6/2011 Schrimmer
- D639,702 S * 6/2011 Jean-Denis D11/131
- D643,567 S 8/2011 Gutting
- D643,969 S * 8/2011 Abate D26/118
- 8,031,910 B2 10/2011 Jones et al.
- D648,888 S * 11/2011 Spoth D26/88

(56)

References Cited

U.S. PATENT DOCUMENTS

D650,121 S 12/2011 Volkan
 D656,598 S * 3/2012 Motylinski D23/366
 D656,666 S * 3/2012 McGregor D26/154
 8,162,140 B2 * 4/2012 Hansen A61B 10/0096
 206/438
 D659,281 S 5/2012 Patkus et al.
 D660,492 S 5/2012 Williams et al.
 D661,009 S * 5/2012 Bennett D26/93
 D661,832 S 6/2012 Williams et al.
 D663,471 S * 7/2012 Bennett D26/93
 D664,277 S 7/2012 Reo
 D664,471 S 7/2012 Fernandez
 D669,289 S * 10/2012 Rogers D6/552
 D670,646 S 11/2012 Canova
 D674,129 S * 1/2013 Johnston D26/113
 8,360,589 B2 * 1/2013 Friedson F21K 2/06
 362/101
 8,382,309 B1 2/2013 Johnston
 D689,180 S * 9/2013 Furner D23/366
 D713,286 S * 9/2014 Malaspina D11/157
 D713,819 S * 9/2014 Millen D14/211
 8,833,954 B2 9/2014 Griffin
 8,841,864 B2 9/2014 Maxik et al.
 8,853,712 B2 10/2014 Hussell
 D717,973 S * 11/2014 Sherman D26/2
 D720,492 S 12/2014 Gatchel
 8,915,607 B2 12/2014 Yang
 D721,446 S * 1/2015 Carroll D26/2
 8,931,192 B2 1/2015 Acworth et al.
 D723,766 S * 3/2015 Kamakura D1/127
 D725,047 S * 3/2015 Wai D13/158
 D728,089 S * 4/2015 Crisa' D23/366
 D728,836 S * 5/2015 Metlen D26/41
 D729,739 S * 5/2015 Paolo D13/134
 9,028,113 B1 * 5/2015 Giliberti F21V 33/0028
 362/101
 D731,211 S * 6/2015 Denby D6/672
 D733,279 S * 6/2015 Furner D23/366
 D739,054 S * 9/2015 Carroll D26/2
 D739,978 S * 9/2015 Oliveras D26/118
 D742,593 S * 11/2015 Corey D28/83
 D743,613 S 11/2015 Bonadonna
 9,194,563 B2 11/2015 Snyder
 9,222,655 B2 * 12/2015 Radermacher F21S 2/005
 9,234,635 B2 * 1/2016 Kwisthout F21K 9/52

2002/0080604 A1 * 6/2002 Niermann F21S 6/00
 362/173
 2002/0174578 A1 * 11/2002 Ross G09F 19/02
 40/409
 2003/0057809 A1 * 3/2003 House, II A47F 3/005
 312/114
 2004/0094437 A1 * 5/2004 Dailey, III B65D 83/0805
 206/205
 2005/0168114 A1 * 8/2005 Zinn A47F 3/005
 312/138.1
 2008/0273319 A1 * 11/2008 VanderSchuit A47G 19/2222
 362/101
 2009/0212698 A1 * 8/2009 Bailey F21K 9/52
 313/512
 2009/0251882 A1 * 10/2009 Ratcliffe F21K 9/135
 362/84
 2011/0103053 A1 5/2011 Chen et al.
 2012/0257395 A1 10/2012 Cotzias
 2013/0070446 A1 3/2013 Chen
 2013/0128567 A1 5/2013 Lee
 2014/0000139 A1 1/2014 Wieland
 2016/0076716 A1 * 3/2016 Ho F21S 10/002
 362/101

OTHER PUBLICATIONS

Light Box, image post date Oct. 7, 2009, site visited Nov. 17, 2015, (online), <<https://jasmineray.wordpress.com/2009/10/07/light-box-tracing/>>.*
 Glow Brick, image post date Oct. 30, 2009, site visited Mar. 27, 2016, (online), <http://inventorspot.com/articles/glowinthedark_glow_bricks_30846>.*
 LED Candle Light Lamp—Tin Eye, image post date Nov. 26, 2014, site visited Dec. 10, 2015, (online), <<https://www.tineye.com/search/4ce308def8cdf5da3e0b8850f872ba738daf258/?pluginver=>>>.
 LED Cube Night Light, image post date 2000, site visited Dec. 10, 2015, (online), <<http://www.instructables.com/id/LED-Cube-Night-Light!>>.
 Night Light Glow Brick—Tin Eye, image post date Feb. 7, 2008, site visited Dec. 10, 2015, (online), <<https://www.tineye.com/search/f2f68ac8af9326b21b541ceb1f757e57e096fcb6/>>.
 Glow Brick! Innovative, Modern, Glow in the Dark Light Bulb in Clear Acrylic for Fun <http://www.uncommongoods.com/product/glow-brick?country=US&gclid=CMCBtYDkqco> Feb. 9, 2016.
 GlowBrick Glow-in-the-dark Bulb, <http://www.suck.uk.com/products/glowbrick/?search=glo>.

* cited by examiner

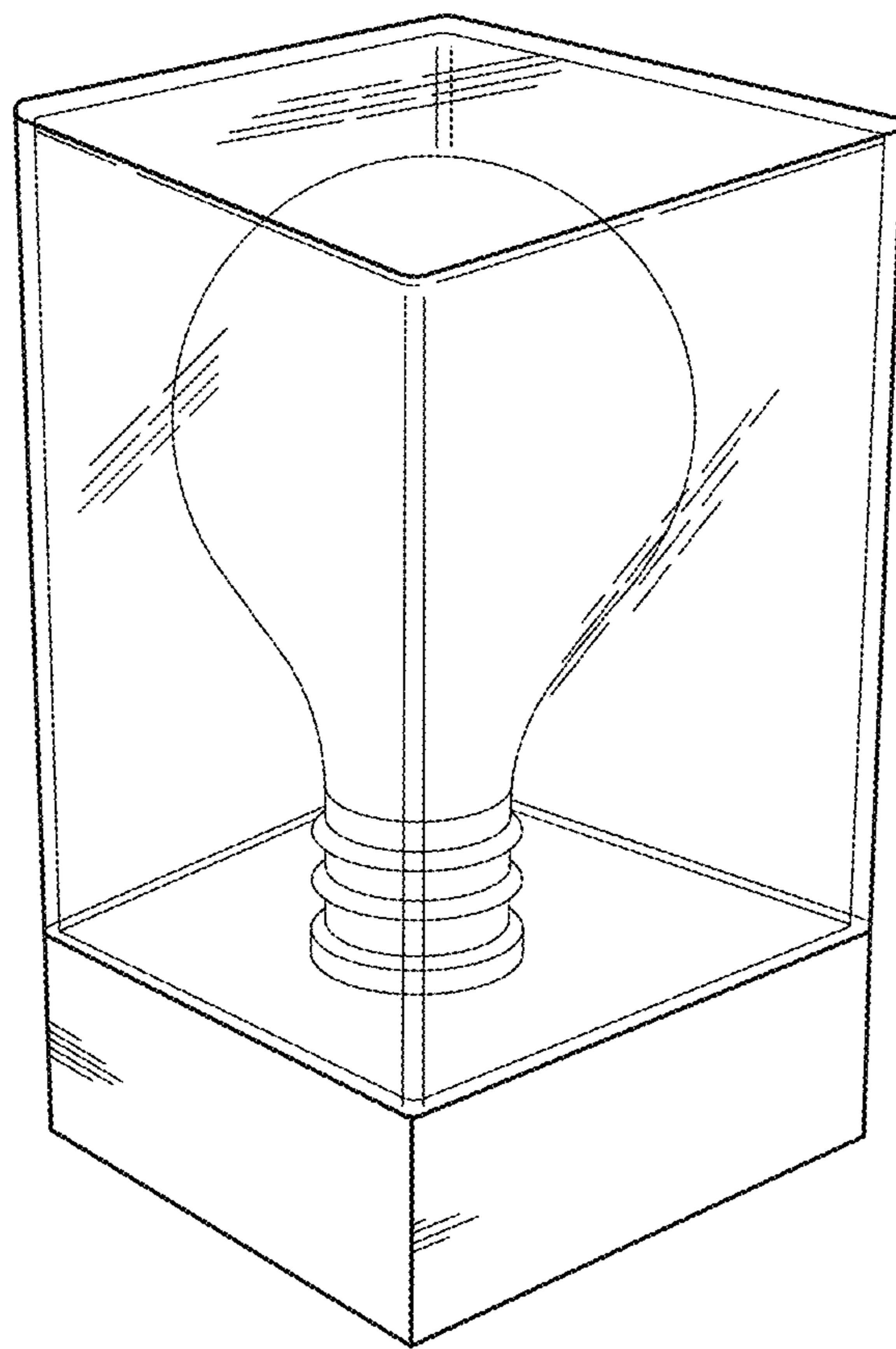


FIG. 1

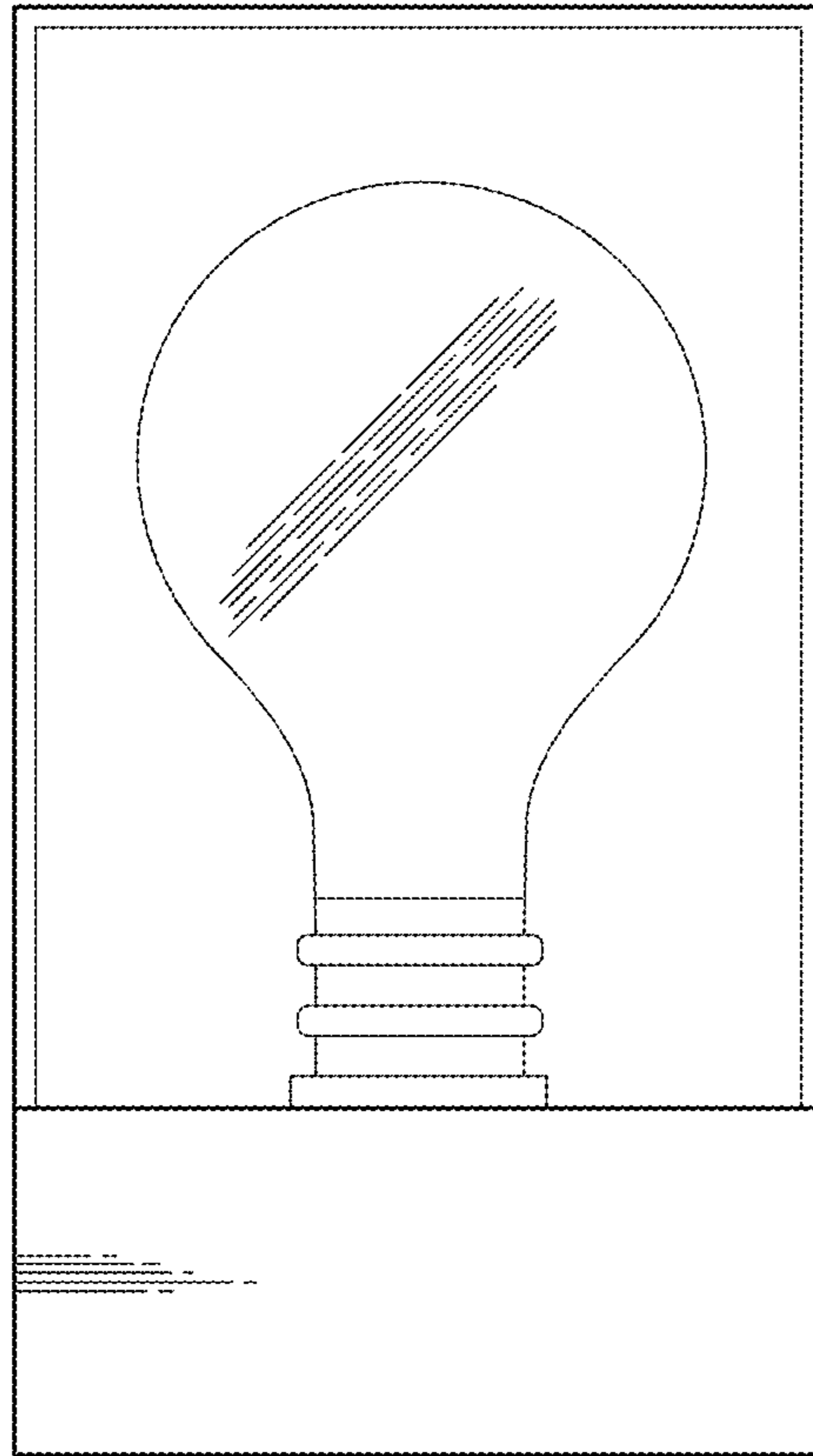


FIG. 2

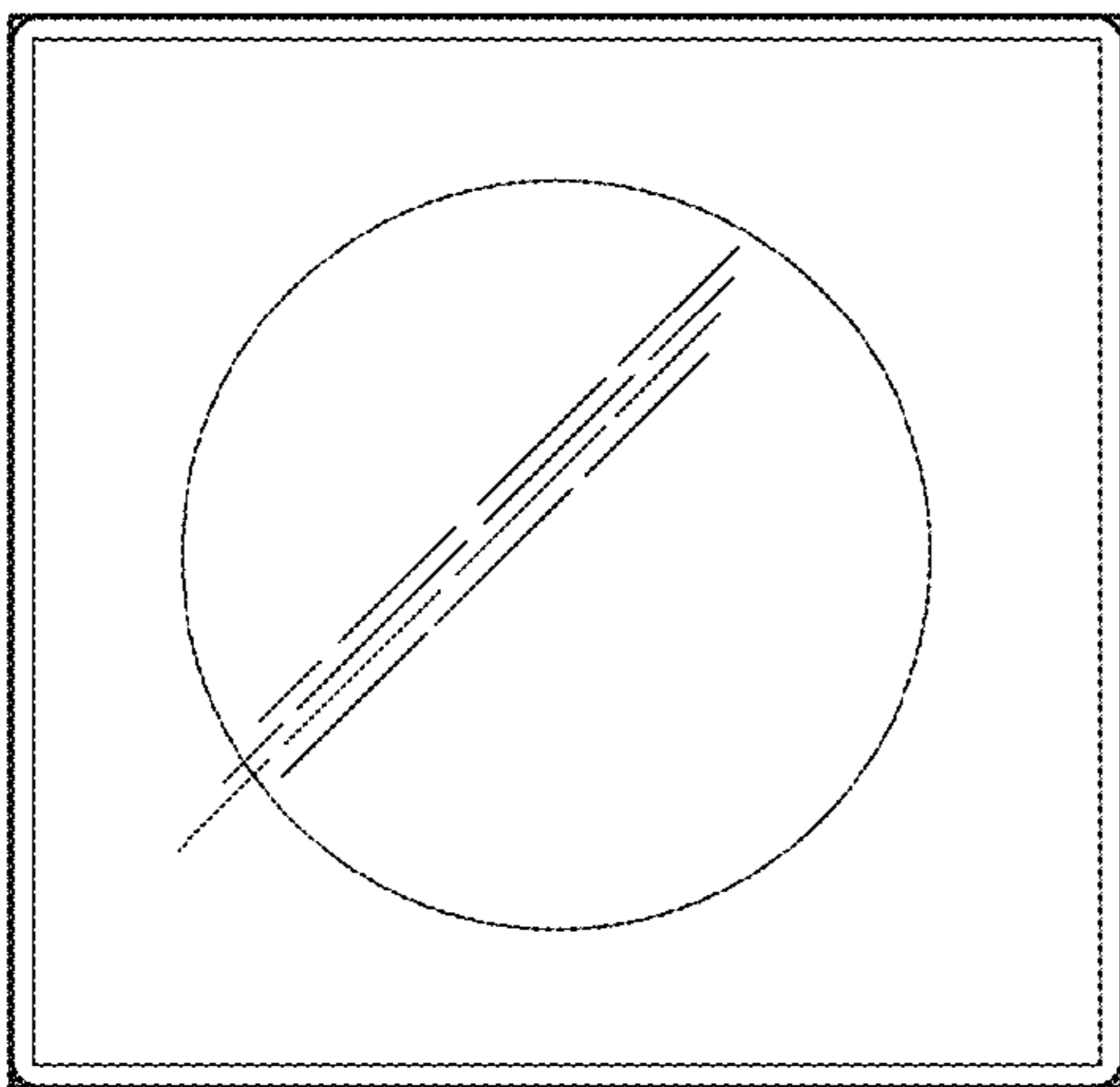


FIG. 3

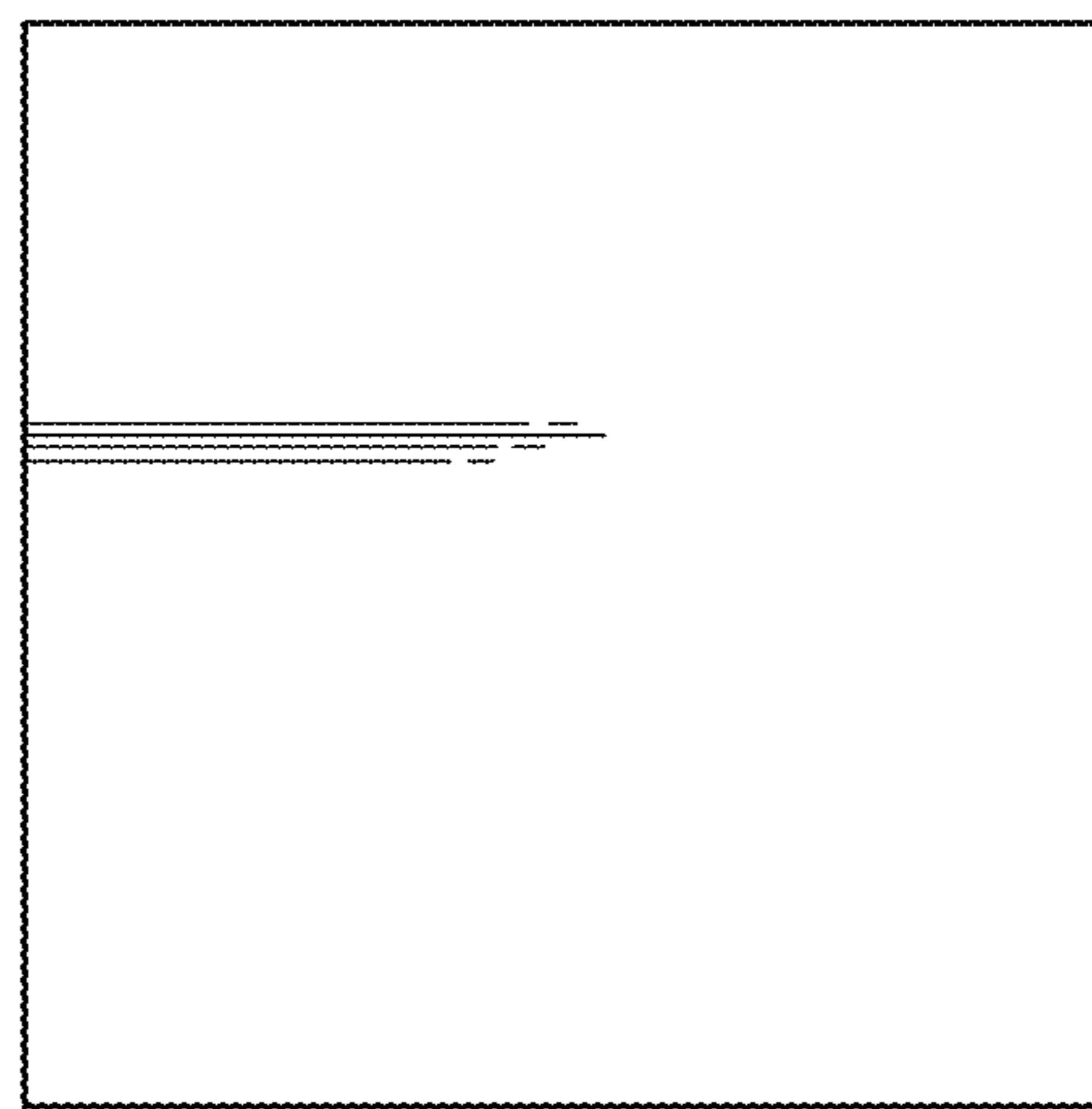


FIG. 4

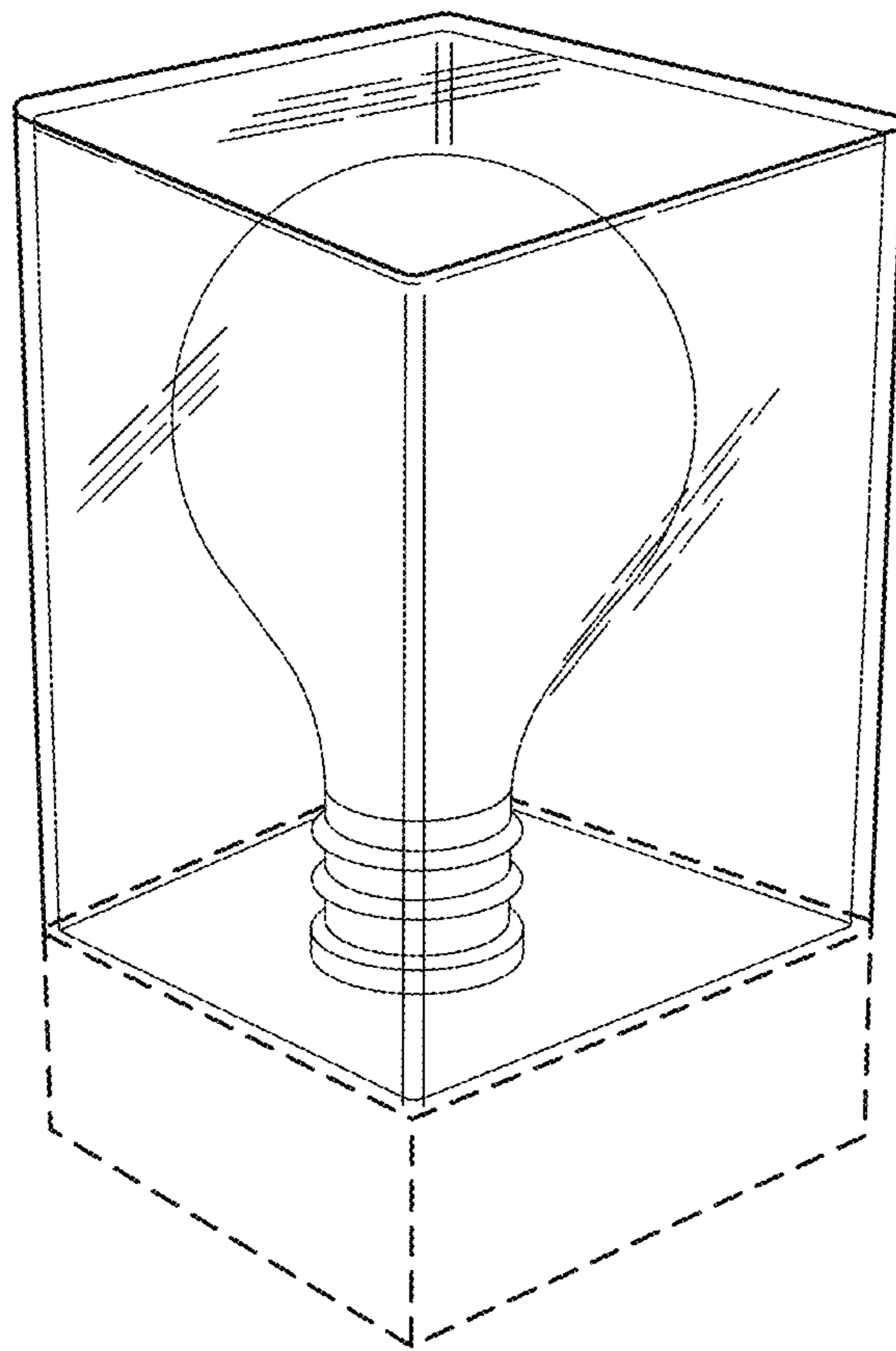


FIG.5

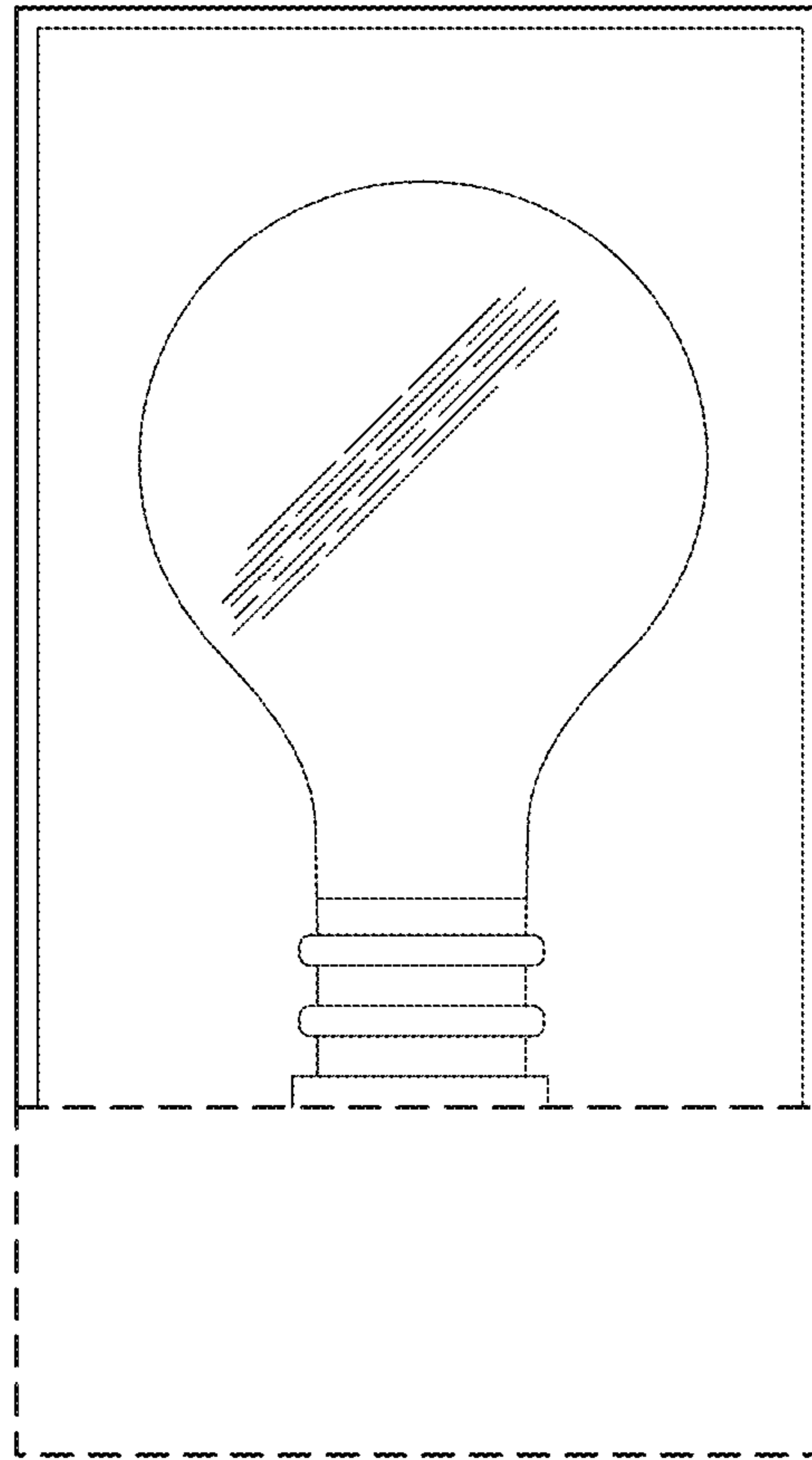


FIG. 6

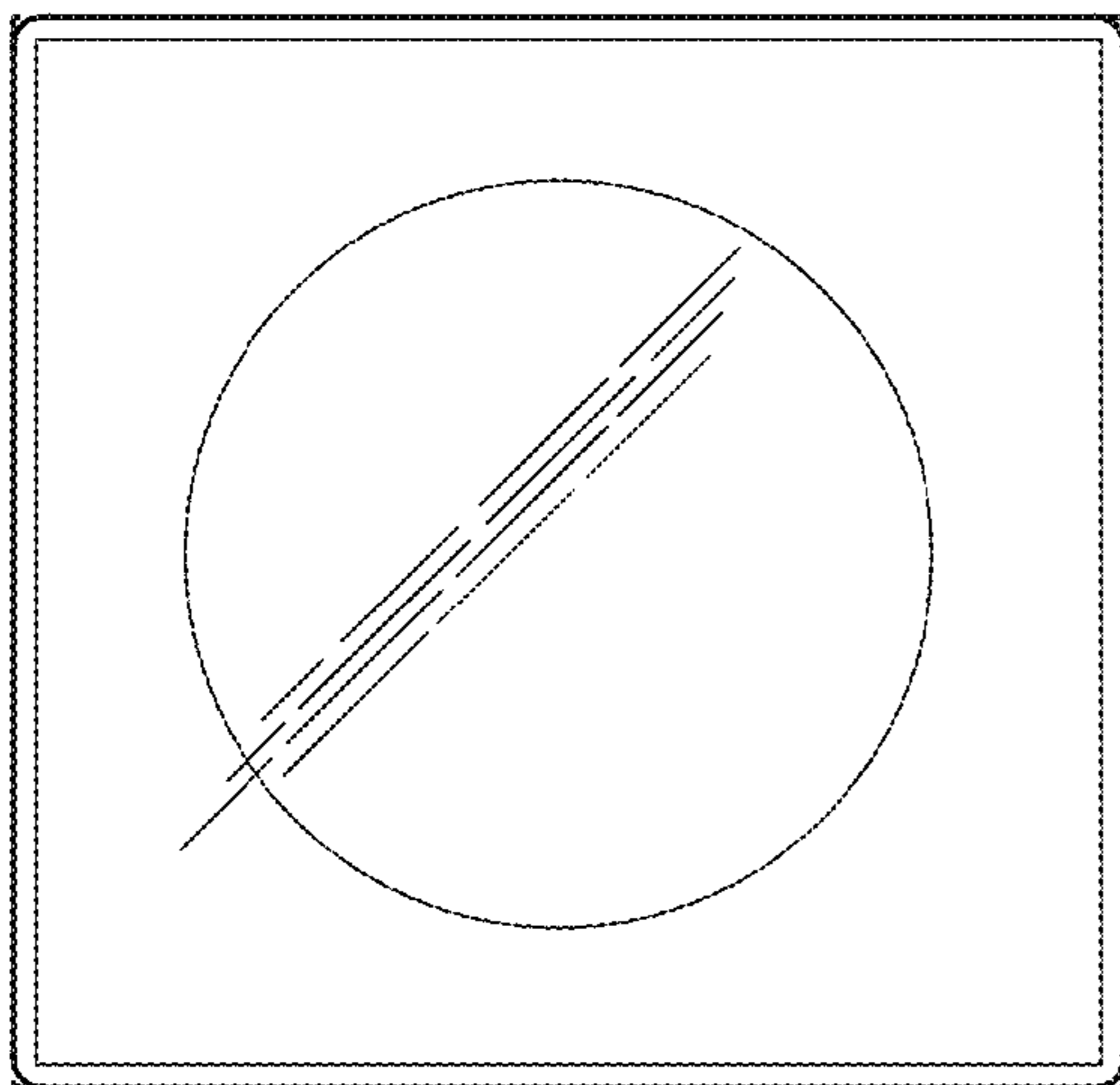


FIG. 7

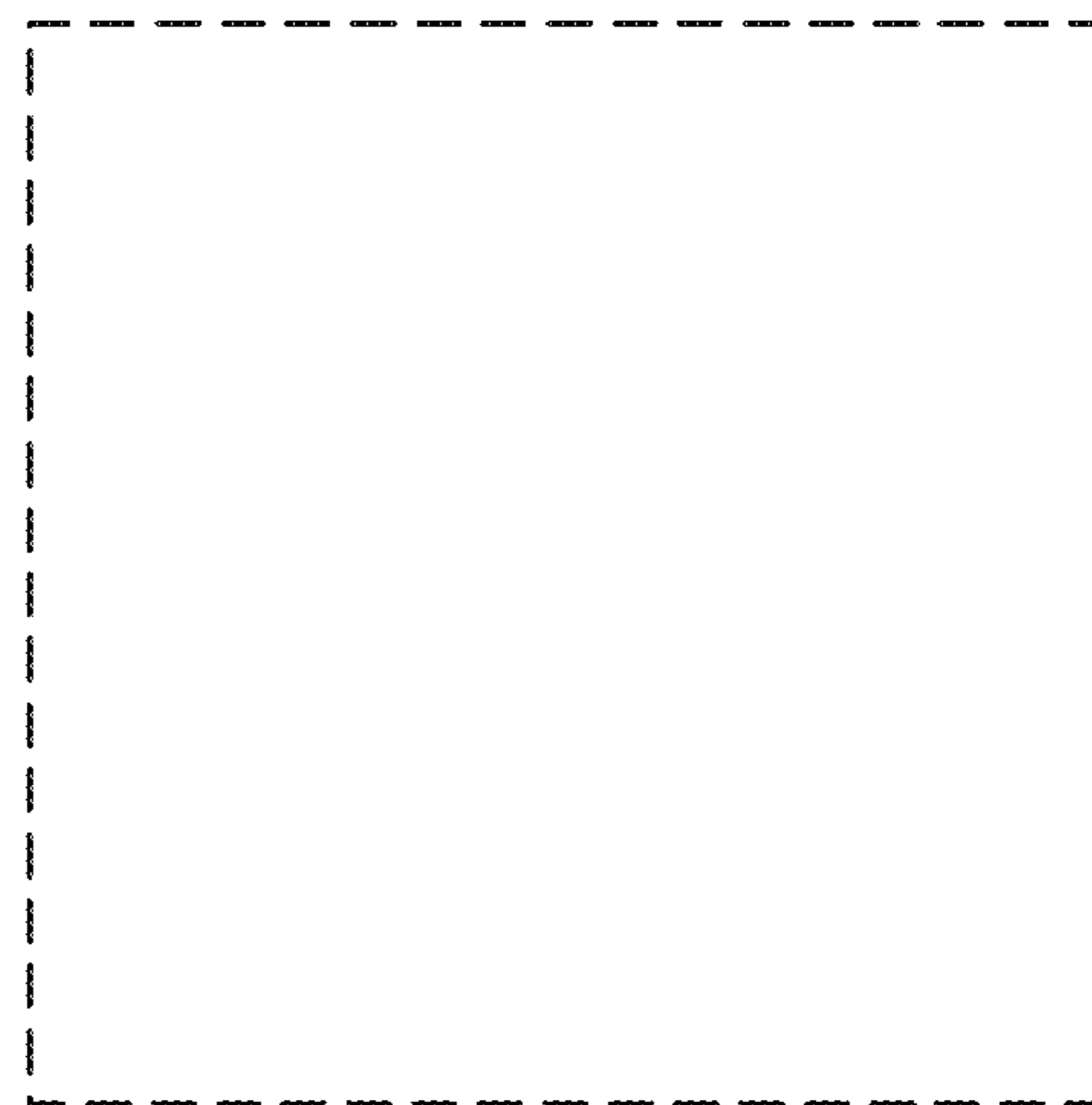


FIG. 8