



US00D771301S

(12) **United States Design Patent**  
**Stanley**

(10) **Patent No.:** **US D771,301 S**  
(45) **Date of Patent:** **\*\* Nov. 8, 2016**

(54) **HORTICULTURE GROW LIGHT FIXTURE**

(71) Applicant: **IP Holdings, LLC**, Vancouver, WA (US)

(72) Inventor: **John Stanley**, Vancouver, WA (US)

(73) Assignee: **IP Holdings, LLC**, Vancouver, WA (US)

(\*\*) Term: **14 Years**

(21) Appl. No.: **29/500,428**

(22) Filed: **Aug. 25, 2014**

**Related U.S. Application Data**

(63) Continuation of application No. 29/477,993, filed on Dec. 30, 2013, now Pat. No. Des. 737,498, which is a continuation of application No. 29/458,595, filed on Jun. 20, 2013, now Pat. No. Des. 698,987.

(51) **LOC (10) Cl.** ..... **26-99**

(52) **U.S. Cl.**  
USPC ..... **D26/118; D26/72**

(58) **Field of Classification Search**  
USPC ..... D26/5, 6, 9, 10, 11, 12, 13, 15, 16, 24, D26/51, 61, 72, 76, 79, 80, 81, 85, 86, 88, D26/90, 113, 114, 116, 118, 119, 120, 121, D26/122, 127, 128, 129, 131, 135, 137, 138, D26/143, 144, 180

CPC ..... B01D 46/10; A61L 9/037; B60Q 1/04; B60Q 1/26; F21L 19/00; F21S 8/04; F21S 8/026; F21V 7/00; F21V 7/22; F21V 21/02; F21V 21/04; F21V 29/004; F21V 29/83; F21V 29/2212; F21V 37/002; F21Y 2101/02; F23D 11/443

See application file for complete search history.

(56) **References Cited**

**U.S. PATENT DOCUMENTS**

D106,614 S 10/1937 Waterbury  
D123,768 S 12/1940 Scribner

2,242,590 A \* 5/1941 Moreau ..... F21V 7/05  
362/341  
2,492,946 A \* 1/1950 Barber ..... F21V 7/04  
362/348

D174,221 S 3/1955 Hatch et al.

(Continued)

**FOREIGN PATENT DOCUMENTS**

CA 2034710 A1 8/1991  
CA 1314529 3/1993

(Continued)

**OTHER PUBLICATIONS**

1000 Watt Galaxy Grow Amp Double Ended Grow Light Packages, image post date Jan. 30, 2014, site visited Jul. 8, 2016, (online), <<http://www.ehydroponics.com/1000-watt-galaxy-grow-amp-double-ended-grow-light-package.html>>.\*

(Continued)

*Primary Examiner* — Kevin Rudzinski

*Assistant Examiner* — Sean D Lough

(74) *Attorney, Agent, or Firm* — J. Douglas Wells

(57) **CLAIM**

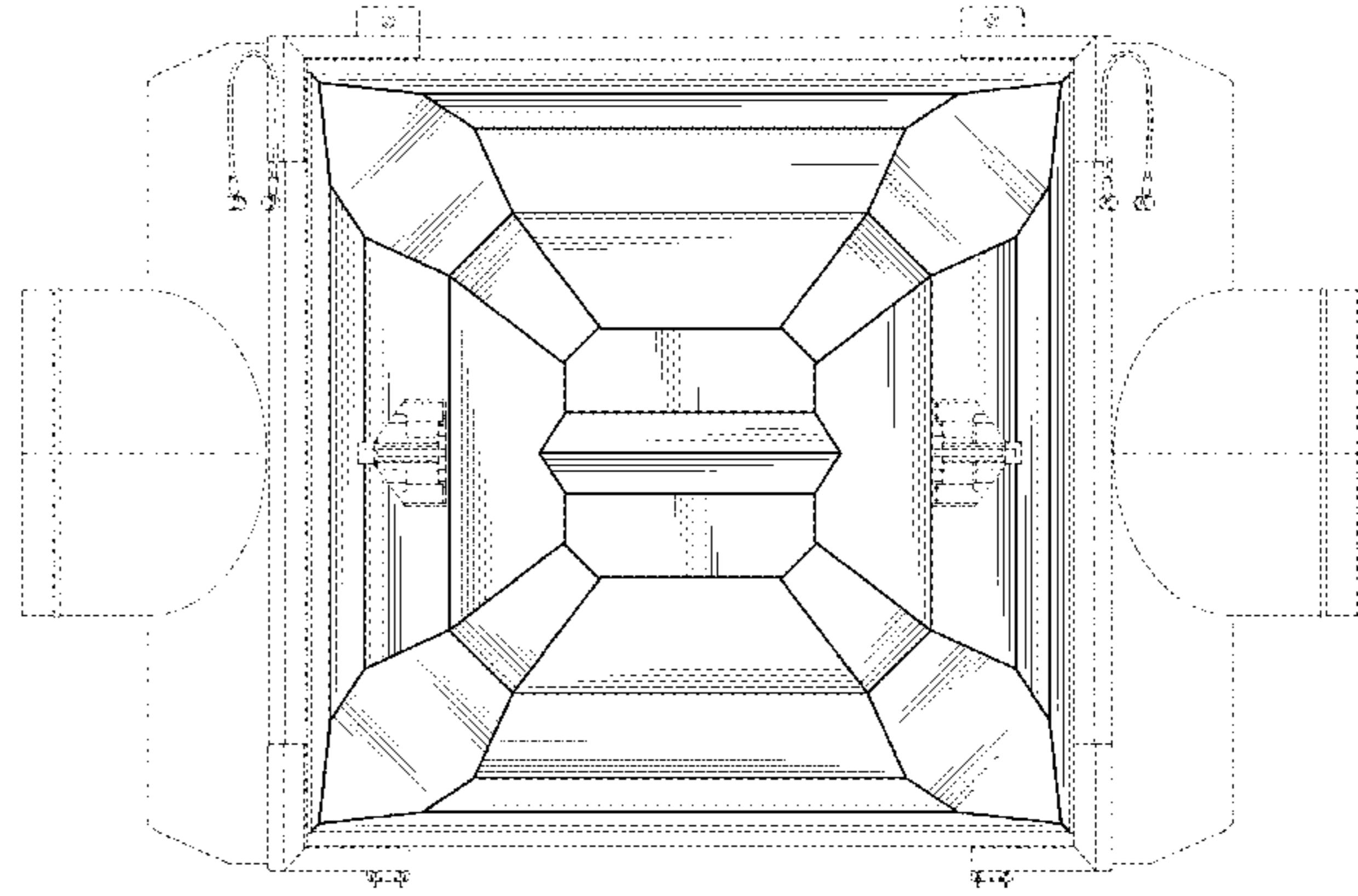
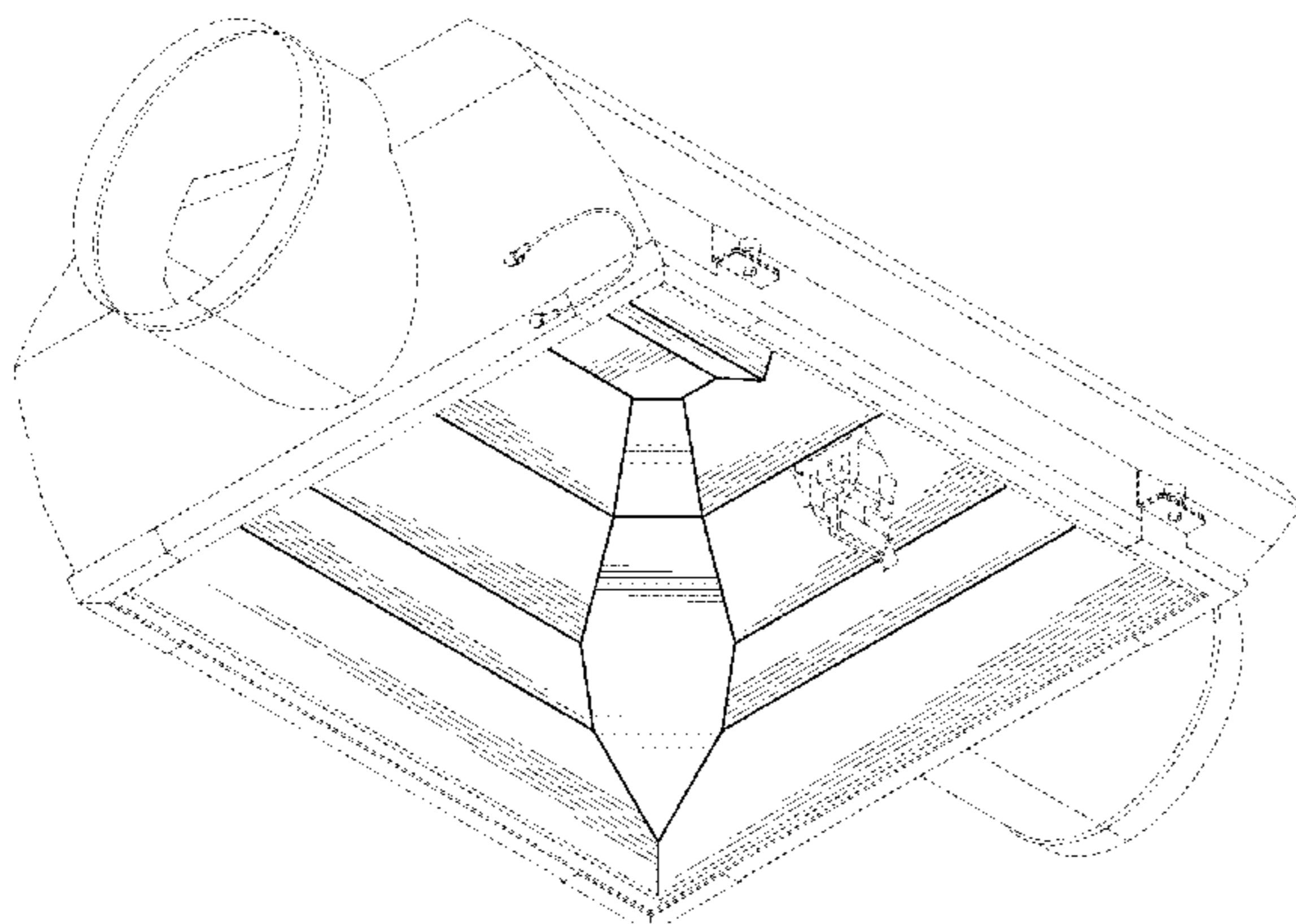
The ornamental design for a horticulture grow light fixture, as shown and described.

**DESCRIPTION**

FIG. 1 is a perspective view of a horticulture grow light fixture, as viewed from below, showing my new design; and, FIG. 2 is a bottom plan view of the light fixture shown in FIG. 1.

The broken-line disclosure shown in the views is understood to represent portions of the article in which the claimed design is embodied, but which form no part of the claimed design.

**1 Claim, 2 Drawing Sheets**



(56)

References Cited

U.S. PATENT DOCUMENTS

2,998,511	A	8/1961	Chan				
3,272,978	A	9/1966	Jackson				
3,420,995	A *	1/1969	Dunckel	.....	F21V 21/04		
					292/64		
3,675,008	A	7/1972	Hill				
3,701,898	A *	10/1972	McNamara, Jr.	.....	F21V 7/05		
					362/341		
3,902,059	A *	8/1975	McNamara, Jr.	.....	F21V 7/09		
					362/349		
3,911,265	A *	10/1975	Landrum	.....	F21V 19/009		
					362/296.01		
4,229,782	A *	10/1980	Ruud	.....	F21S 6/002		
					362/297		
4,308,573	A *	12/1981	McNamara, Jr.	.....	F21V 7/22		
					362/297		
4,446,506	A *	5/1984	Larson	.....	G03B 15/02		
					362/17		
4,531,180	A	7/1985	Hernandez				
4,616,293	A *	10/1986	Baliozian	.....	F21V 7/10		
					362/16		
D300,877	S	4/1989	Cyr				
4,933,821	A	6/1990	Anderson				
4,939,629	A	7/1990	Glanton et al.				
D311,597	S *	10/1990	Poot	.....		D26/118	
4,970,428	A	11/1990	Hayakawa et al.				
4,980,809	A	12/1990	Baldwin et al.				
D316,301	S *	4/1991	Michael	.....		D26/128	
5,065,294	A	11/1991	Poot, Jr.				
5,072,349	A	12/1991	Waniga				
D352,126	S	11/1994	Ruud et al.				
5,461,554	A	10/1995	Leonetti et al.				
D365,159	S *	12/1995	Tinen	.....		D25/138	
5,486,737	A	1/1996	Hrubowchak et al.				
5,510,676	A	4/1996	Cottaar et al.				
5,568,680	A *	10/1996	Parker	.....	B21D 53/883		
					29/557		
5,698,947	A	12/1997	Choi				
D396,319	S	7/1998	Sutton				
D400,289	S *	10/1998	Wardenburg	.....		D26/118	
5,816,694	A *	10/1998	Ideker	.....	F21V 7/09		
					362/297		
5,896,004	A	4/1999	Feldman et al.				
5,924,789	A	7/1999	Thornton				
5,932,955	A	8/1999	Berger et al.				
5,983,564	A	11/1999	Stragnola				
5,987,697	A	11/1999	Song et al.				
5,999,943	A	12/1999	Nori				
D419,248	S	1/2000	Lyons				
6,042,250	A *	3/2000	Stragnola	.....	F21V 7/09		
					362/285		
6,051,927	A	4/2000	Graser et al.				
D425,652	S *	5/2000	Brok	.....		D26/118	
6,061,690	A	5/2000	Nori				
6,070,173	A	5/2000	Huber				
6,076,944	A	6/2000	Maranon				
6,094,919	A	8/2000	Bhatia				
6,111,739	A	8/2000	Wu et al.				
6,152,579	A	11/2000	Reed et al.				
D439,008	S *	3/2001	Kim	.....		D26/118	
6,230,497	B1	5/2001	Morris et al.				
D443,949	S *	6/2001	DiMonte	.....		D26/155	
D447,272	S	8/2001	Smith				
6,279,012	B1	8/2001	Sexton				
6,343,984	B1	2/2002	Langdon et al.				
6,371,630	B1	4/2002	Unger				
D456,938	S	5/2002	Wardenburg				
D459,825	S	7/2002	Field				
D469,564	S	1/2003	Brok				
6,527,422	B1	3/2003	Hutchison				
6,595,662	B2	7/2003	Wardenburg				
6,601,972	B2	8/2003	Sei et al.				
6,658,652	B1	12/2003	Alexander				
6,729,383	B1	5/2004	Cannell et al.				
6,783,263	B1	8/2004	Cronk				
6,885,134	B2	4/2005	Kurashima et al.				
7,156,539	B2	1/2007	Cronk				
7,175,309	B2	2/2007	Craw et al.				
D542,460	S	5/2007	Hargreaves				
D543,652	S	5/2007	Hargreaves				
D543,654	S	5/2007	Hargreaves				
7,213,948	B2	5/2007	Hein				
D544,136	S *	6/2007	Hargreaves	.....		D26/118	
D544,139	S	6/2007	Hargreaves				
D544,626	S	6/2007	Hargreaves				
D544,983	S	6/2007	Hargreaves				
D544,984	S	6/2007	Hargreaves				
D544,985	S	6/2007	Hargreaves				
D544,987	S	6/2007	Hargreaves				
D544,994	S	6/2007	Hargreaves				
D544,995	S	6/2007	Hargreaves				
D545,484	S	6/2007	Hargreaves				
D545,485	S	6/2007	Hargreaves				
D545,994	S	7/2007	Hargreaves				
D549,869	S *	8/2007	Ward	.....		D26/138	
7,445,363	B2	11/2008	Vanden Eynden				
7,524,090	B2	4/2009	Hargreaves				
7,534,011	B2	5/2009	Townsley				
D602,625	S *	10/2009	Santoro	.....		D26/76	
D603,087	S	10/2009	Mo et al.				
7,617,057	B2	11/2009	May et al.				
7,641,367	B2	1/2010	Hargreaves et al.				
D614,801	S	4/2010	Collins et al.				
7,722,228	B2	5/2010	Broer				
D617,028	S	6/2010	Verfuert et al.				
7,771,086	B2	8/2010	Goverde				
D628,335	S *	11/2010	Hyland	.....		D26/74	
D634,060	S	3/2011	Wardenburg				
D634,468	S	3/2011	Hargreaves				
D634,469	S	3/2011	Hargreaves				
D637,341	S *	5/2011	Wardenburg	.....		D26/118	
D637,752	S	5/2011	Mekhtarian				
7,972,044	B2	7/2011	Burkhauser				
D644,185	S *	8/2011	Hargreaves	.....		D13/152	
7,987,632	B2	8/2011	May et al.				
8,018,630	B2	9/2011	Herloski				
D650,515	S *	12/2011	Bradley, Jr.	.....		D26/118	
8,209,912	B2	7/2012	Hargreaves et al.				
8,215,799	B2 *	7/2012	Vanden Eynden	.....	F21V 15/01		
					362/218		
D673,324	S *	12/2012	Mayfield, III	.....		D26/120	
8,334,640	B2	12/2012	Reed et al.				
D675,369	S *	1/2013	Michaud	.....		D26/118	
8,371,726	B2	2/2013	Collins et al.				
D678,599	S	3/2013	Boyer et al.				
D683,064	S	5/2013	Tuck				
D690,875	S *	10/2013	McKenzie	.....		D26/118	
D693,959	S	11/2013	Boyer				
D697,663	S *	1/2014	Speier	.....		D26/118	
D698,986	S *	2/2014	Reynolds	.....		D26/118	
D698,987	S	2/2014	Stanley				
8,702,283	B2	4/2014	Bradley				
8,723,086	B2	5/2014	McMahan				
D707,385	S	6/2014	Wardenburg				
D717,487	S *	11/2014	Guzzini	.....		D26/118	
8,967,821	B2 *	3/2015	Pickard	.....		362/240	
8,998,473	B1 *	4/2015	Anderson	.....	A01G 7/045		
					362/253		
D731,701	S *	6/2015	Hargreaves	.....		D26/118	
D732,233	S *	6/2015	Reynolds	.....		D26/118	
D732,235	S *	6/2015	Reynolds	.....		D26/118	
D732,236	S *	6/2015	Reynolds	.....		D26/118	
D735,401	S *	7/2015	Clements	.....		D26/120	
D736,450	S *	8/2015	Reynolds	.....		D26/118	
D737,498	S *	8/2015	Stanley	.....		D26/118	
D740,486	S *	10/2015	Stanley	.....		D26/118	
D740,996	S *	10/2015	Tragatschnig	.....		D26/118	
D745,993	S *	12/2015	Reynolds	.....		D26/118	
D747,029	S *	1/2016	Reynolds	.....		D26/118	
D747,538	S *	1/2016	Hargreaves	.....		D26/118	
D747,825	S *	1/2016	Reynolds	.....		D26/118	
D748,849	S *	2/2016	Stanley	.....		D26/118	
D750,312	S *	2/2016	Reynolds	.....		D26/118	
D750,316	S *	2/2016	Reynolds	.....		D26/118	
D750,831	S *	3/2016	Clements	.....		D26/120	

(56)

References Cited

U.S. PATENT DOCUMENTS

D751,245 S \* 3/2016 Stanley ..... D26/118  
 D751,247 S \* 3/2016 Reynolds ..... D26/118  
 D756,023 S \* 5/2016 Hoffer ..... D26/118  
 D757,323 S \* 5/2016 Reynolds ..... D26/72  
 D757,326 S \* 5/2016 Reynolds ..... D26/76  
 D757,346 S \* 5/2016 Stanley ..... D26/118  
 9,366,947 B2 \* 6/2016 Miyata ..... F21V 29/02  
 2002/0073285 A1 6/2002 Butterworth  
 2002/0141195 A1 \* 10/2002 Peter ..... A01G 7/045  
 362/362  
 2003/0191783 A1 10/2003 Wolczko  
 2004/0240214 A1 \* 12/2004 Whitlow ..... F21V 33/0088  
 362/373  
 2005/0160481 A1 7/2005 Todd  
 2006/0231081 A1 10/2006 Kirakosyan  
 2006/0232984 A1 10/2006 Schuknecht  
 2006/0282457 A1 12/2006 Williams  
 2007/0070633 A1 3/2007 Eynden  
 2007/0228993 A1 10/2007 Stuer et al.  
 2007/0282806 A1 12/2007 Hoffman  
 2008/0059799 A1 3/2008 Scarlata  
 2008/0117617 A1 5/2008 Hargreaves et al.  
 2008/0205030 A1 8/2008 Hargreaves  
 2008/0205071 A1 8/2008 Townsley  
 2008/0212326 A1 9/2008 Chon  
 2008/0278950 A1 11/2008 Pickard et al.  
 2008/0278957 A1 \* 11/2008 Pickard ..... F21S 8/02  
 362/373  
 2009/0116250 A1 \* 5/2009 Hargreaves ..... F21V 19/0075  
 362/373  
 2009/0231840 A1 9/2009 Boehme et al.  
 2009/0262540 A1 10/2009 Hargreaves et al.  
 2009/0276478 A1 11/2009 Soman  
 2010/0214789 A1 8/2010 Hawkes  
 2010/0238661 A1 9/2010 Pfund  
 2010/0277929 A1 \* 11/2010 Hargreaves ..... A01G 9/26  
 362/368  
 2010/0302768 A1 \* 12/2010 Collins ..... F21V 7/09  
 362/217.05  
 2011/0169412 A1 7/2011 Yurich  
 2012/0230035 A1 9/2012 Bradley, Jr. et al.  
 2013/0083539 A1 \* 4/2013 Dimitriadis ..... F21V 7/00  
 362/297  
 2013/0155685 A1 \* 6/2013 Stanley ..... F21V 7/00  
 362/294  
 2013/0250567 A1 \* 9/2013 Edmond ..... F21V 29/006  
 362/231

2015/0023022 A1 \* 1/2015 Stanley ..... A01G 7/045  
 362/294  
 2015/0252992 A1 9/2015 Stanley  
 2015/0252993 A1 \* 9/2015 Stanley ..... H01J 61/22  
 362/264  
 2015/0252994 A1 9/2015 Stanley

FOREIGN PATENT DOCUMENTS

CA	1314529	C	3/1993
EP	0325003		7/1989
EP	0325003	A1	7/1989
EP	0440274		8/1991
EP	0440274	A1	8/1991
WO	02063210		8/2002
WO	02063210	A2	8/2002
WO	2008018000		2/2008
WO	2008018000	A1	2/2008
WO	2009096775		8/2009
WO	2009096775	A2	8/2009
WO	2011119451	A1	9/2011

OTHER PUBLICATIONS

2009-10-watt-light-set—TinEye, image post date May 23, 2012, site visited Jul. 8, 2016, (online), <<https://www.tineye.com/search/2de39cf51f7a031139a80ce555e2f30d0abd5216/>>.\*  
 Square 10 Watt Led Grow Light, image post date Aug. 1, 2011, site visited Jul. 8, 2016, (online), <<http://www.dhgate.com/store/product/hydroponic-vegetable-10-watt-led-grow-light/216755031.html>>.\*  
 Air Resistance: Distinguishing Between Laminar and Turbulent Flow, www.docstoc.com, Dec. 29, 2010, p. 1-6.  
 Sun Systems LEC 630 Light Emitting Ceramic Fixture, Spec Sheet for 906217—Sun System LEC 630 120 Volt w/3100 K Lamps, www.sunlightsupply.com/shop/bycategory/led-lighting/sun-system-lec-630-light-emitting-ceramic-fixture, online, updated Feb. 9, 2015. Site visited Mar. 30, 2015, p. 1.  
 Mohri, Mineko, International Preliminary Report on Patentability for PCT/US2014/014959, Jan. 19, 2016.  
 A3V Reflector, Titaness Light Shop, www.titanesslightshop.com/products-page/reflectors/a3v-reflector, online. Site visited Jan. 14, 2015.  
 32V Grow Light Reflector, Titaness Light Shop, www.titanesslightshop.com/products-page/reflectors/g2v-grow-light-reflector, online. Site visited Jan. 14, 2015.

\* cited by examiner

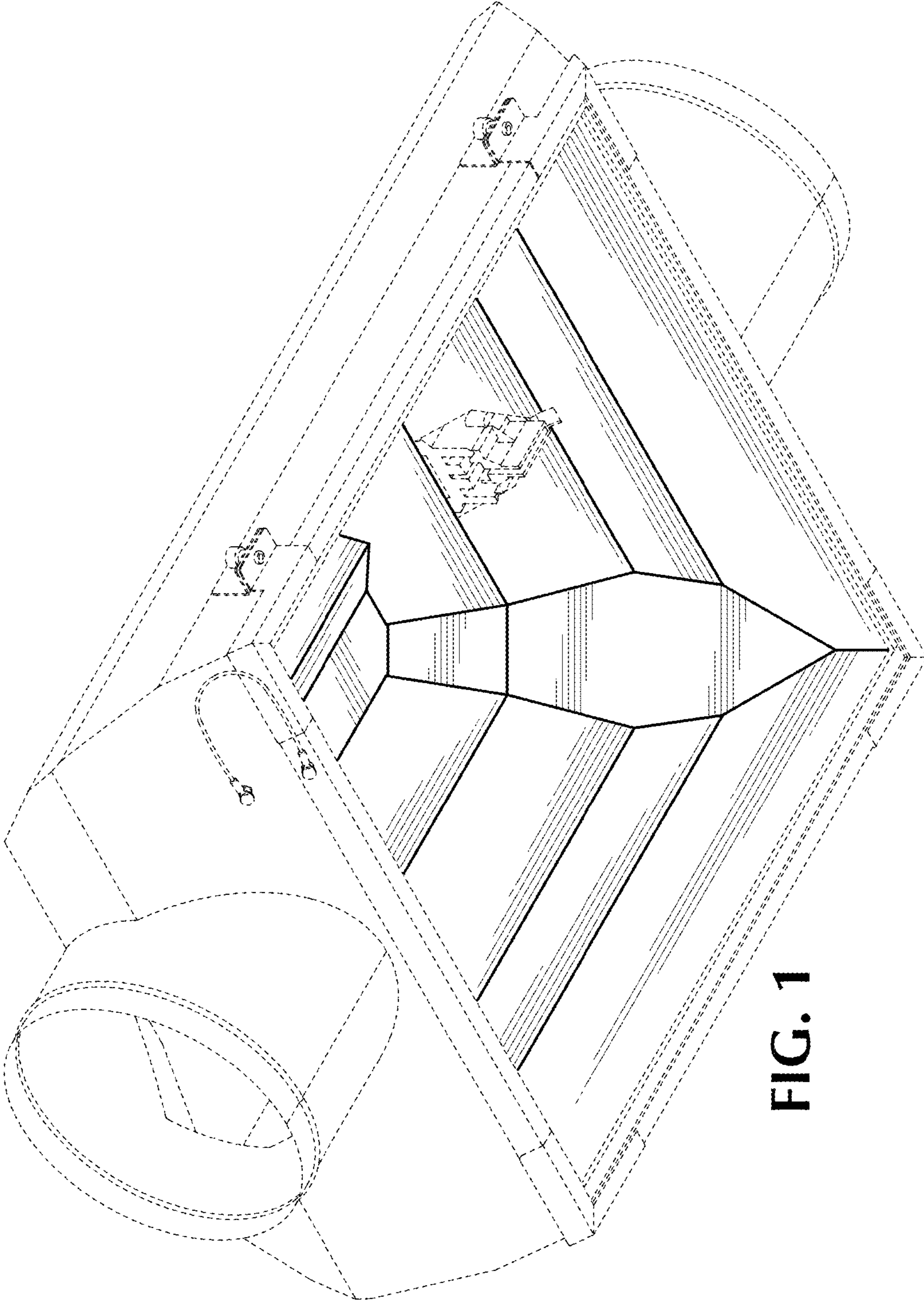


FIG. 1

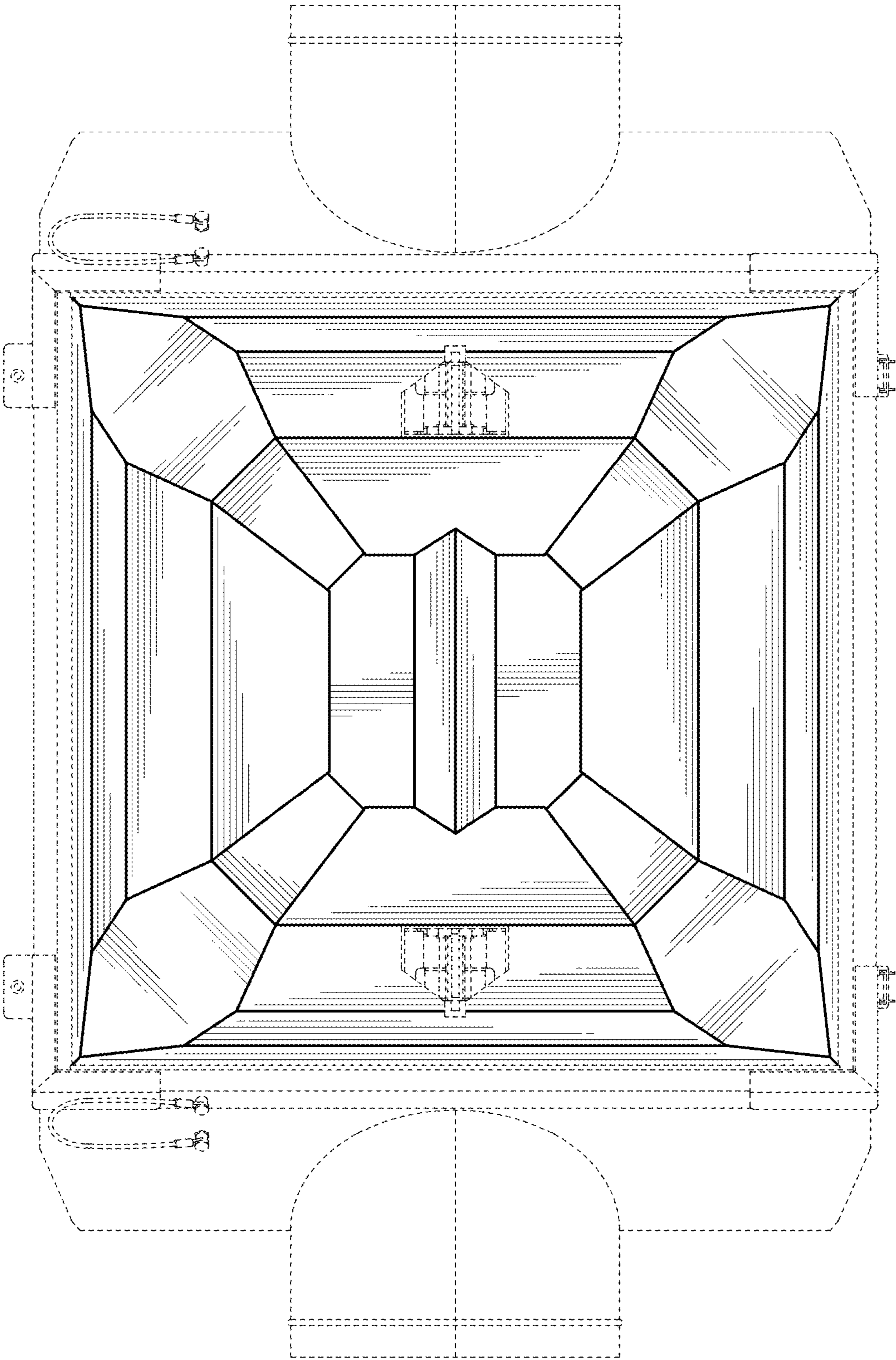


FIG. 2