



US00D771296S

(12) **United States Design Patent** (10) **Patent No.:** **US D771,296 S**  
**Duckworth et al.** (45) **Date of Patent:** **\*\* Nov. 8, 2016**

(54) **OUTDOOR LUMINAIRE**

(71) Applicant: **Hubbell Incorporated**, Shelton, CT (US)  
(72) Inventors: **Jason Duckworth**, Simpsonville, SC (US); **Steve Entrekin**, Simpsonville, SC (US)  
(73) Assignee: **Hubbell Incorporated**, Shelton, CT (US)

(\*\*) Term: **14 Years**

(21) Appl. No.: **29/525,723**

(22) Filed: **May 1, 2015**

(51) **LOC (10) Cl.** ..... **26-03**

(52) **U.S. Cl.**  
USPC ..... **D26/63**

(58) **Field of Classification Search**  
USPC ..... D26/1, 24, 61, 63, 65, 85, 92  
CPC ..... F21V 21/14; F21V 15/01; F21V 14/02;  
F21V 21/30; F21V 21/00; F21V 14/00;  
F21S 8/00; F21S 8/003; F21S 8/043; F21Y  
2105/001

See application file for complete search history.

(56) **References Cited**

U.S. PATENT DOCUMENTS

|                 |        |                    |        |
|-----------------|--------|--------------------|--------|
| D435,925 S *    | 1/2001 | Hiller .....       | D26/63 |
| D698,476 S *    | 1/2014 | Korpi .....        | D26/63 |
| D698,477 S *    | 1/2014 | Korpi .....        | D26/63 |
| D747,525 S *    | 1/2016 | Guercio .....      | D26/63 |
| D748,838 S *    | 2/2016 | Brynjolfsson ..... | D26/63 |
| 2012/0057352 A1 | 3/2012 | Wilcox             |        |

\* cited by examiner

*Primary Examiner* — Brian N Vinson  
(74) *Attorney, Agent, or Firm* — Michael Best & Friedrich, LLP

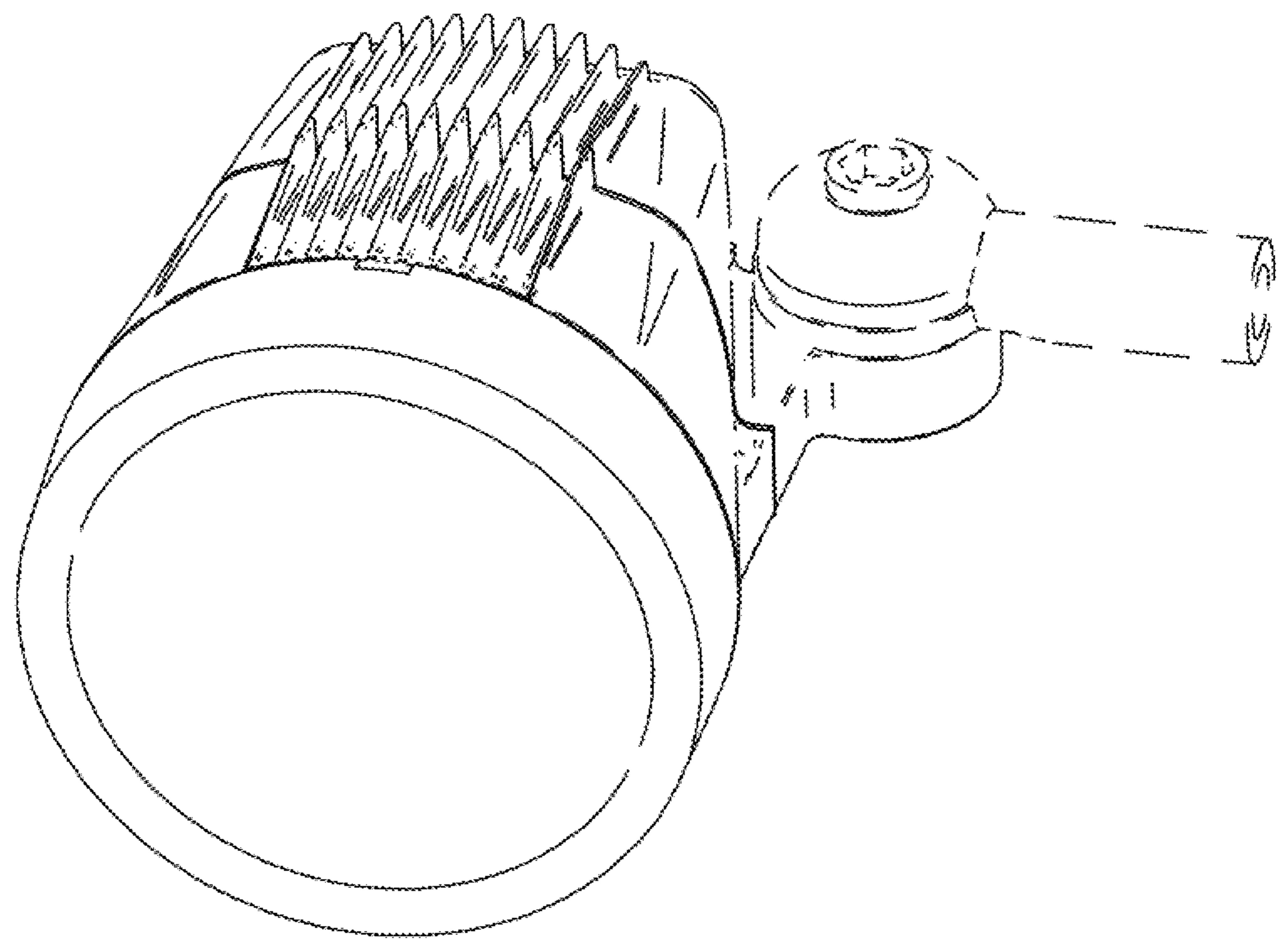
(57) **CLAIM**

The ornamental design for an outdoor luminaire, as shown and described.

**DESCRIPTION**

FIG. 1 is a rear perspective view of an outdoor luminaire showing my new design;  
FIG. 2 is another rear perspective view of FIG. 1;  
FIG. 3 is a bottom, front perspective view of FIG. 1;  
FIG. 4 is a rear view of FIG. 1;  
FIG. 5 is a front view of FIG. 1; and,  
FIG. 6 is a top view of FIG. 1.

**1 Claim, 1 Drawing Sheet**



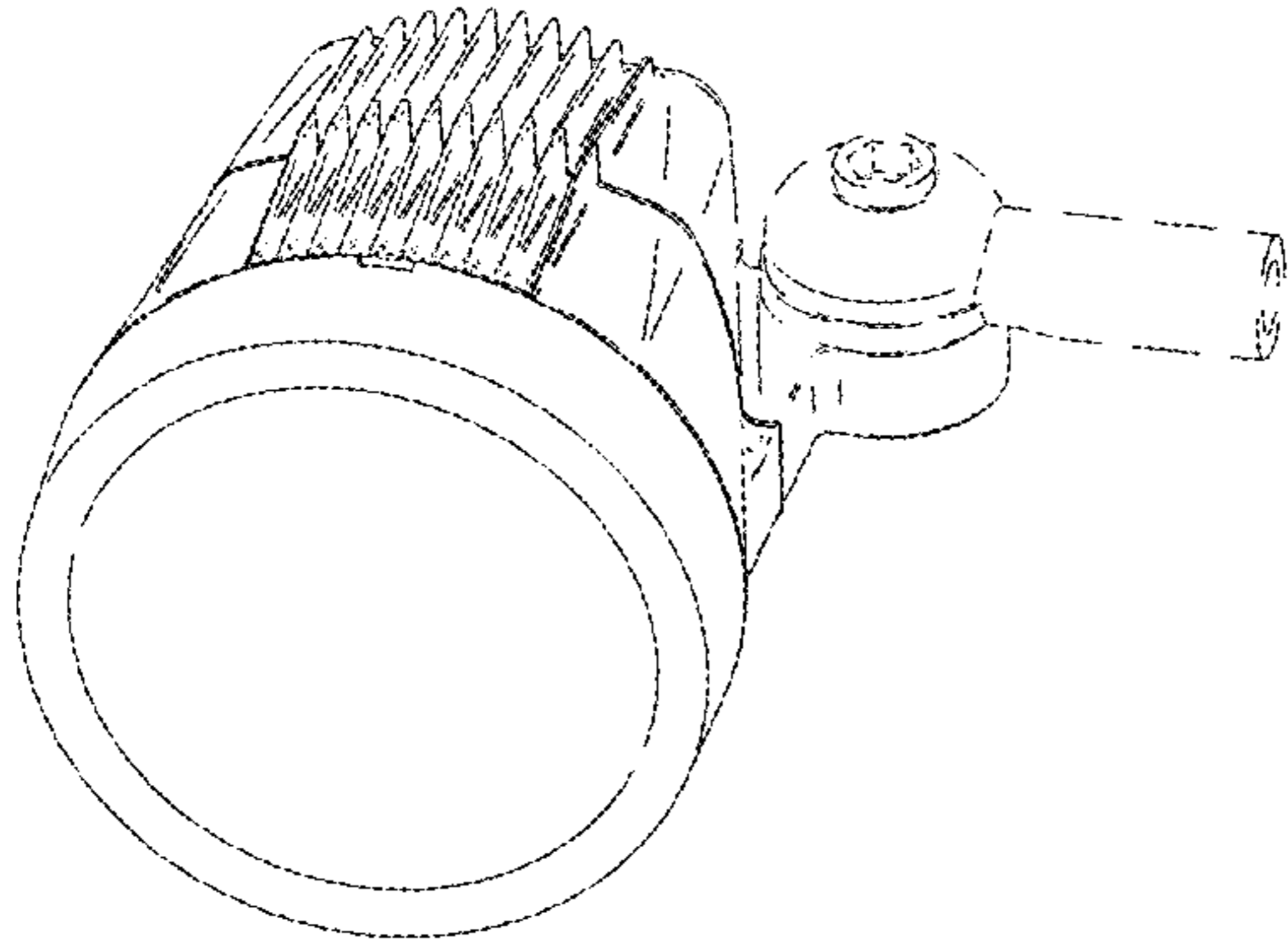


FIG. 1

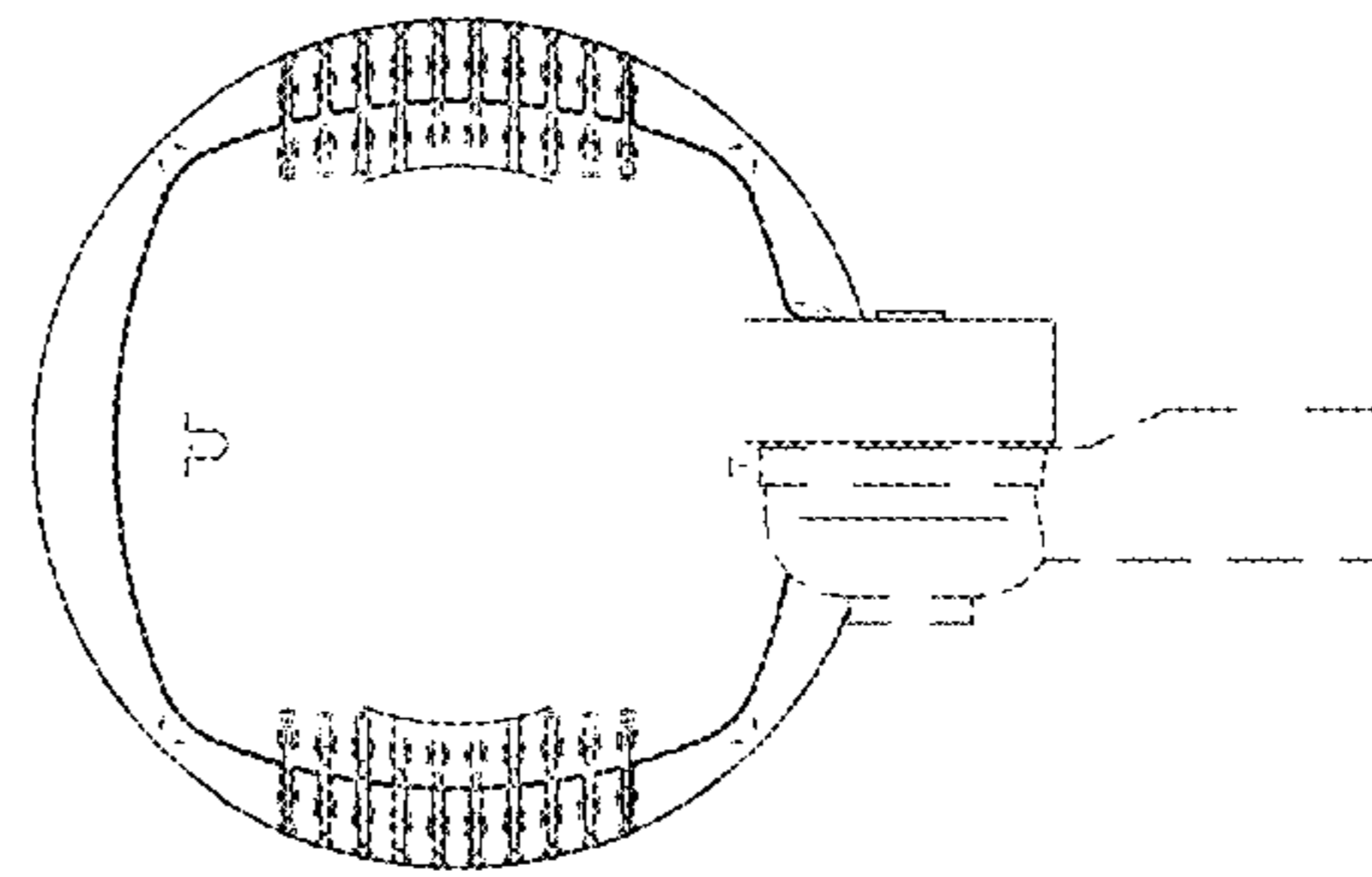


FIG. 2

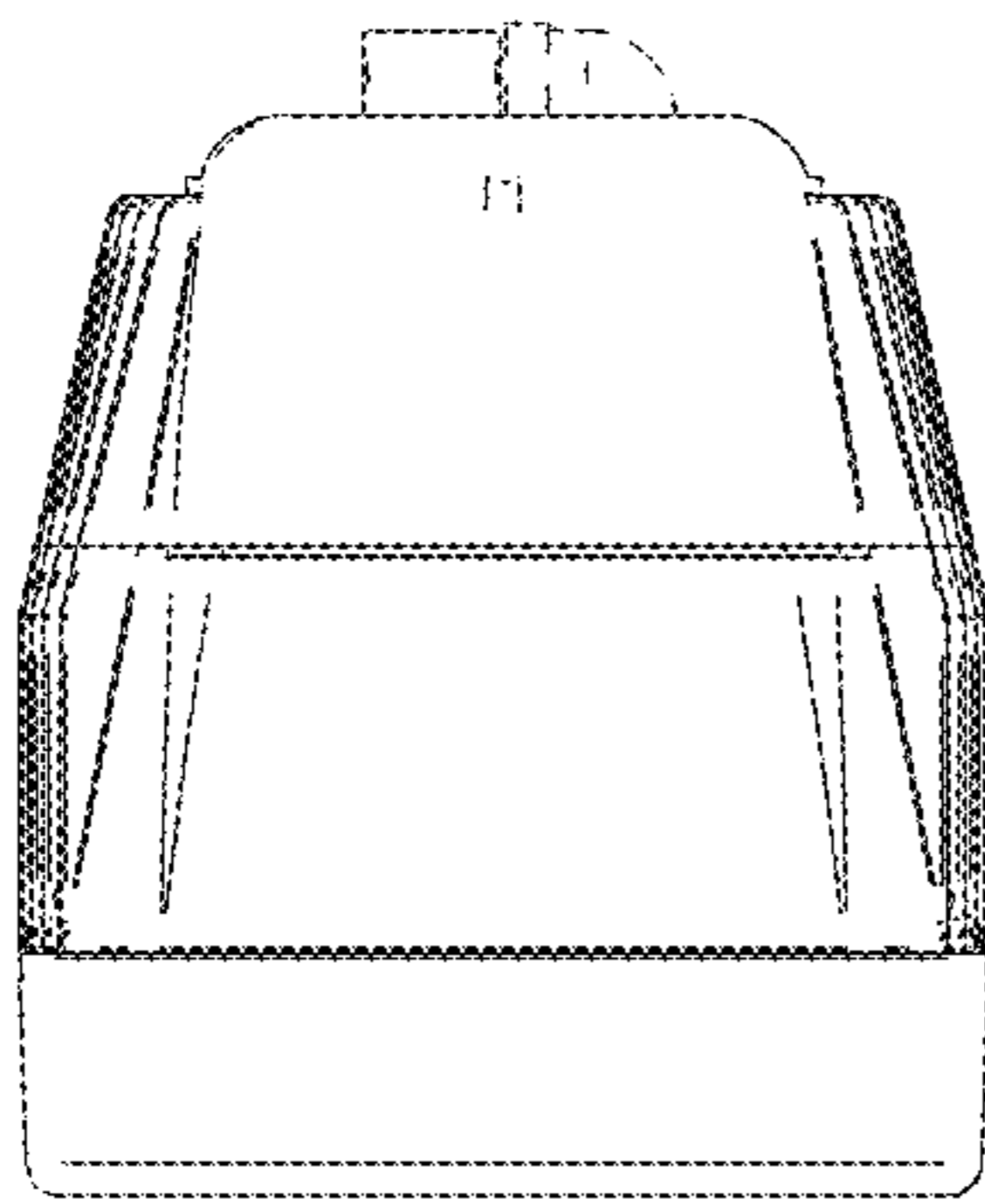


FIG. 3

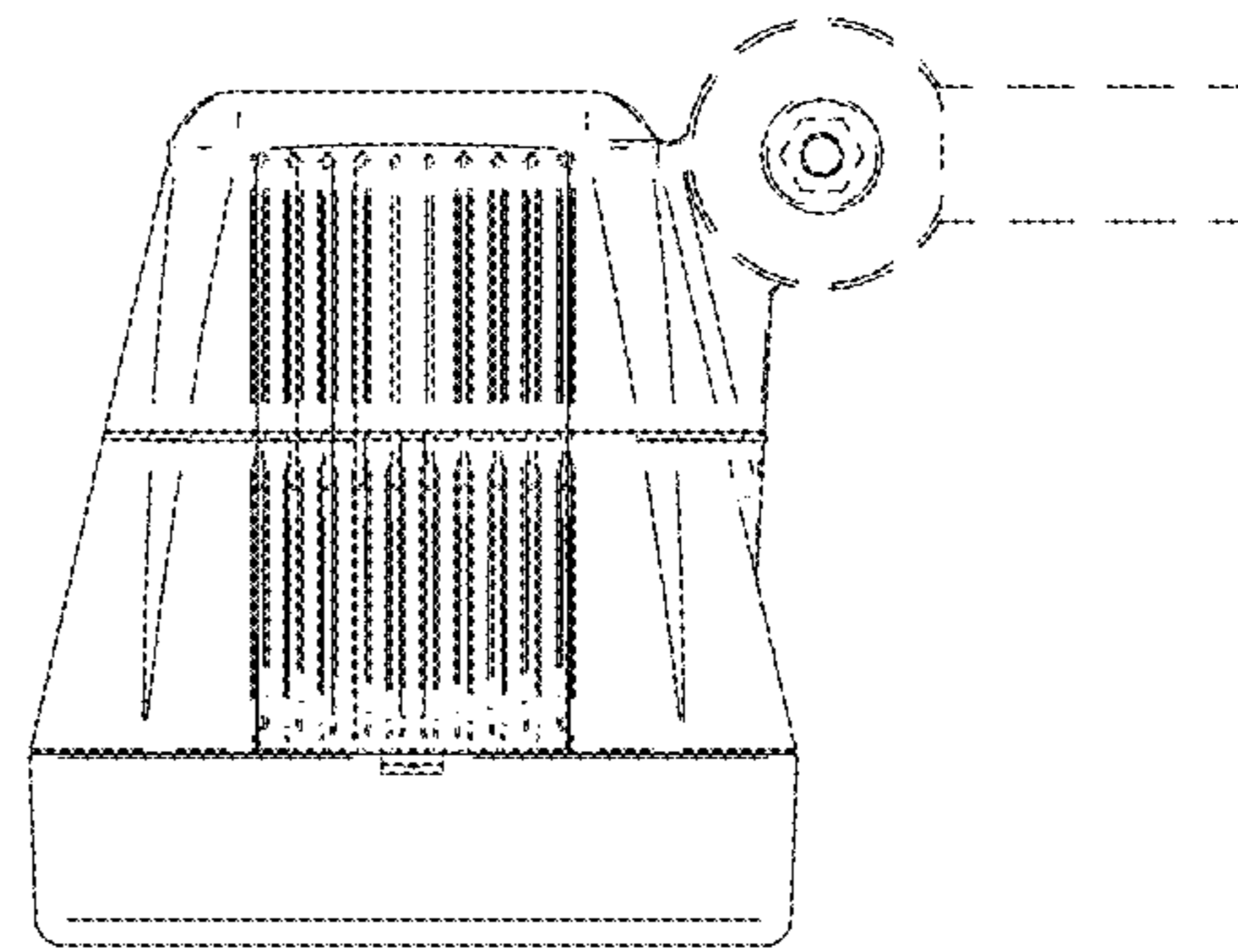


FIG. 4

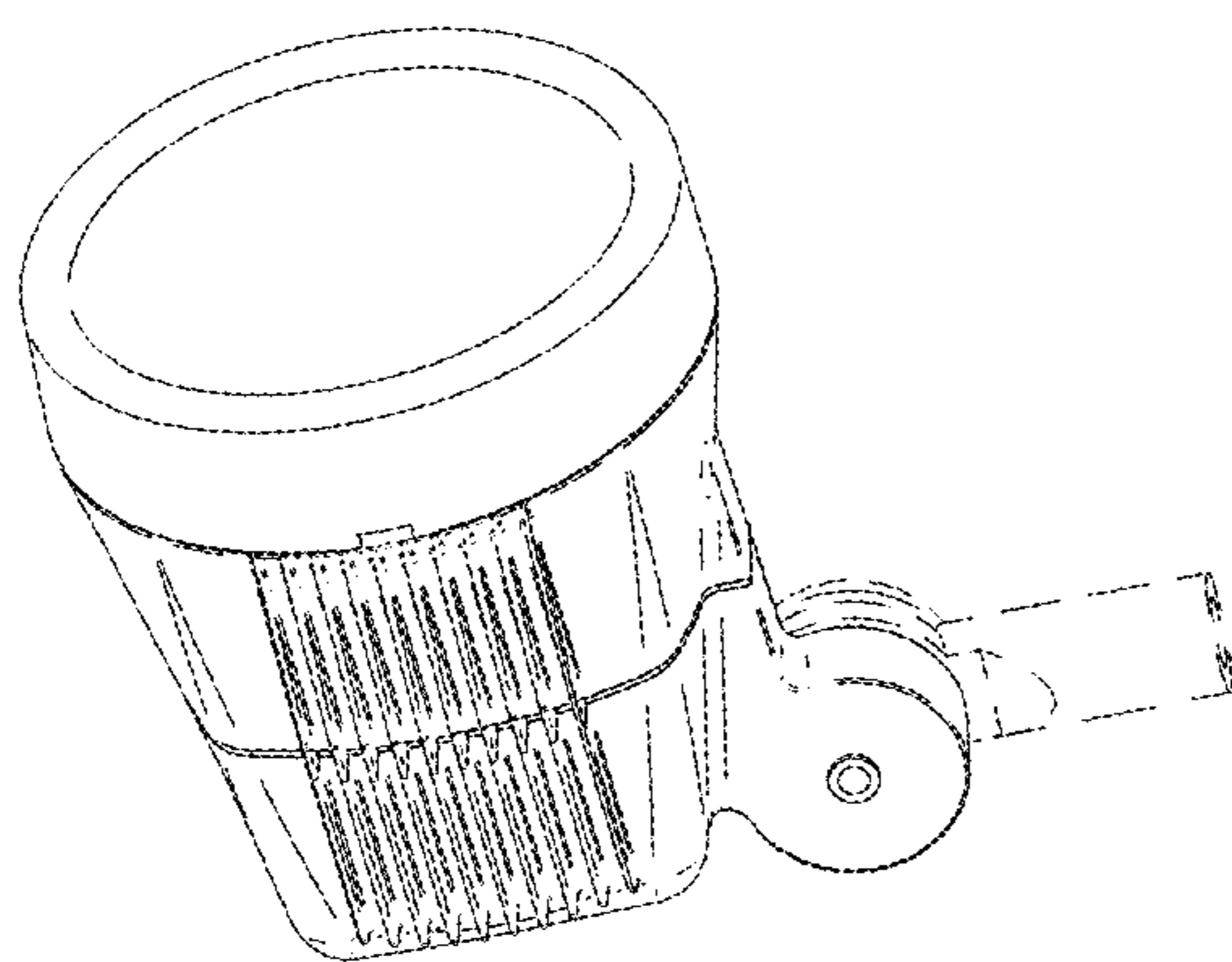


FIG. 5

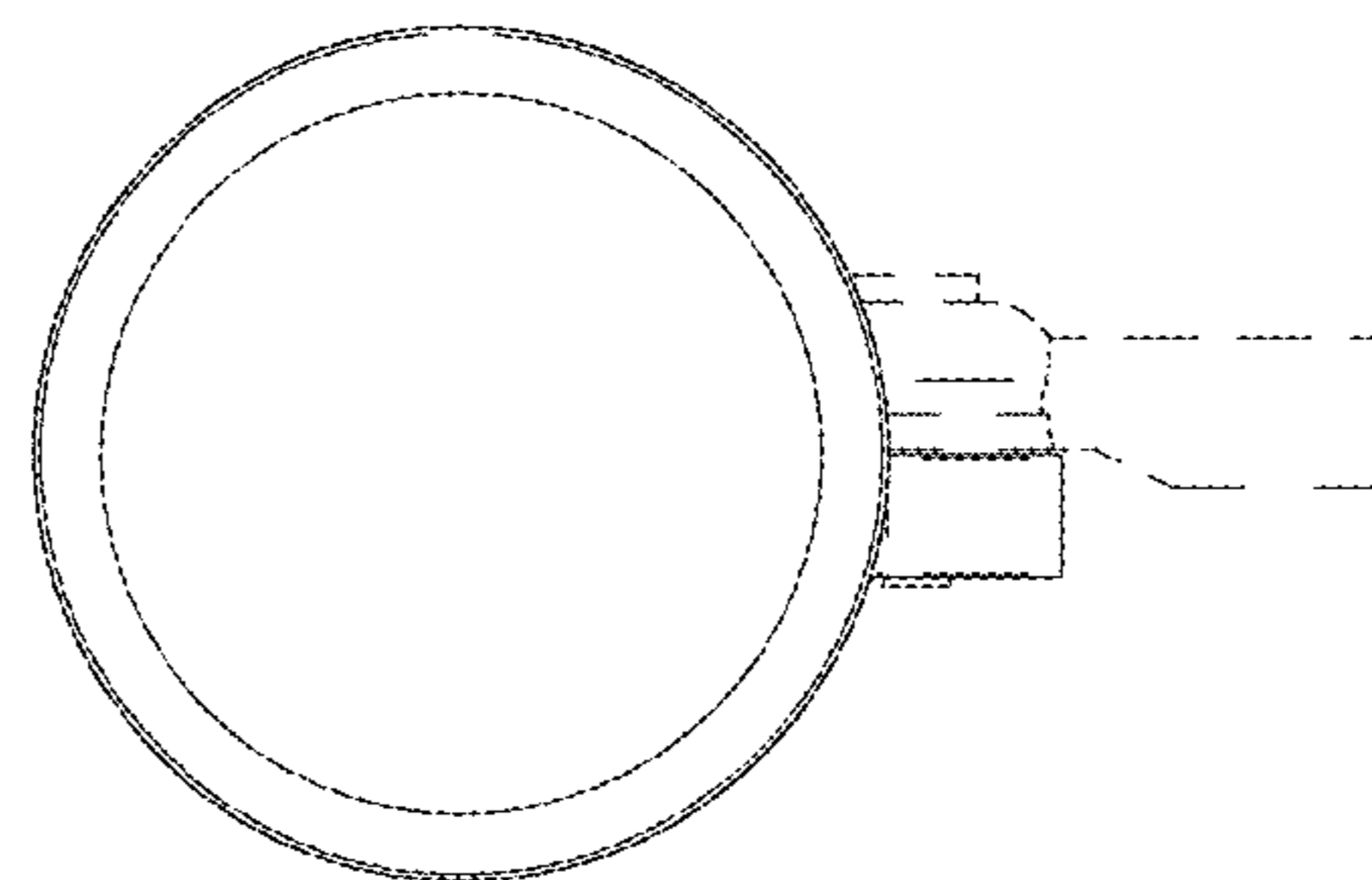


FIG. 6