



US00D771295S

(12) **United States Design Patent** (10) **Patent No.:** **US D771,295 S**
Furuki et al. (45) **Date of Patent:** **** Nov. 8, 2016**

(54) **HEADLIGHT FOR CONSTRUCTION EQUIPMENT**

(71) Applicant: **Kubota Corporation**, Osaka, Osaka (JP)

(72) Inventors: **Taiki Furuki**, Sakai (JP); **Toshihiko Takemura**, Sakai (JP); **Yuji Yamashita**, Sakai (JP); **Hiroyuki Anami**, Sakai (JP); **Kunihiro Suzuki**, Sakai (JP); **Megumi Miyamoto**, Sakai (JP); **Kazuhiro Masutani**, Sakai (JP)

(73) Assignee: **KUBOTA CORPORATION**, Osaka (JP)

(**) Term: **14 Years**

(21) Appl. No.: **29/474,465**

(22) Filed: **Sep. 26, 2014**

(51) **LOC (10) Cl.** **26-06**

(52) **U.S. Cl.**
USPC **D26/35**

(58) **Field of Classification Search**
USPC D26/28, 29, 65, 36, 122, 123, 124;
362/61, 307, 310, 362, 367, 375, 235,
362/240, 241, 242, 244, 245, 246, 427
CPC B60Q 1/06; F21S 48/171
See application file for complete search history.

(56) **References Cited**

U.S. PATENT DOCUMENTS

D194,511 S *	2/1963	Bordinate, Jr.	D26/35
D229,507 S *	12/1973	Boano	D26/35
D258,466 S *	3/1981	Alsman	D26/35
D258,917 S *	4/1981	Urbanek	D26/35

D271,529 S *	11/1983	Ziver	D26/118
D308,108 S *	5/1990	Sasamura	D26/35
D308,422 S *	6/1990	Sasamura	D26/35
D325,643 S *	4/1992	Tsai	D26/35
8,444,306 B2 *	5/2013	Hanson	B60Q 1/0047 362/184

* cited by examiner

Primary Examiner — Ian Simmons
Assistant Examiner — Harold Blackwell, II
(74) *Attorney, Agent, or Firm* — Masuvalley & Partners

(57) **CLAIM**
The ornamental design for a headlight for construction equipment, as shown and described.

DESCRIPTION

FIG. 1 is a perspective view of the headlight for construction equipment according to the invention; FIG. 2 is a front elevation view of the headlight for construction equipment of FIG. 1; FIG. 3 is a rear elevation view of the headlight for construction equipment of FIG. 1; FIG. 4 is a right side elevation view of the headlight for construction equipment of FIG. 1; FIG. 5 is a left side elevation view of the headlight for construction equipment of FIG. 1; FIG. 6 is a top plan view of the headlight for construction equipment of FIG. 1; and, FIG. 7 is a bottom plan view of the headlight for construction equipment of FIG. 1.

The broken lines in the drawings illustrate portions of the headlight for construction equipment which form no part of the claimed design.

The line shading in parts of the drawings is included for the purpose of illustrating use and environment and forms no part of the claimed design.

1 Claim, 7 Drawing Sheets

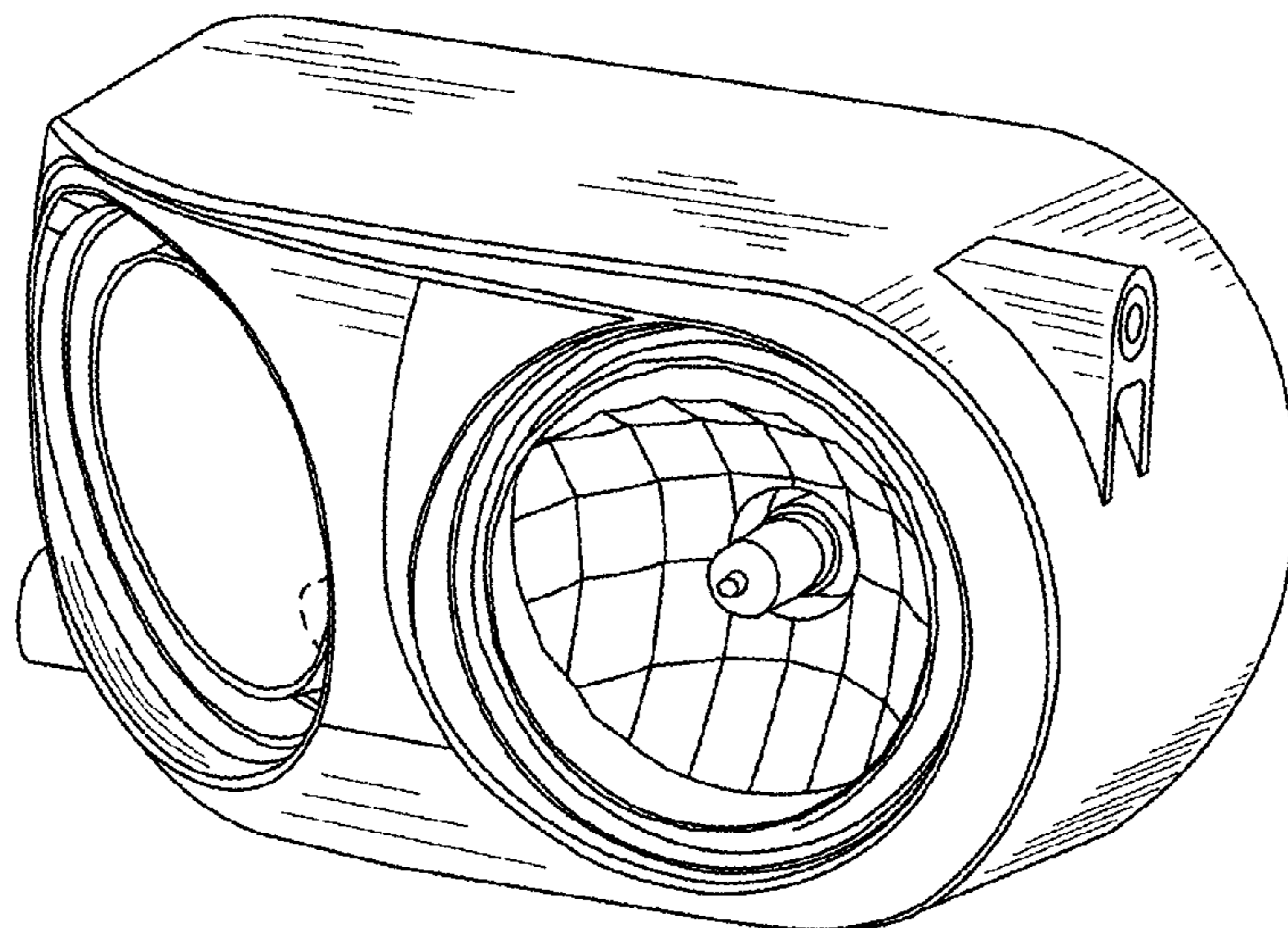


FIG. 1

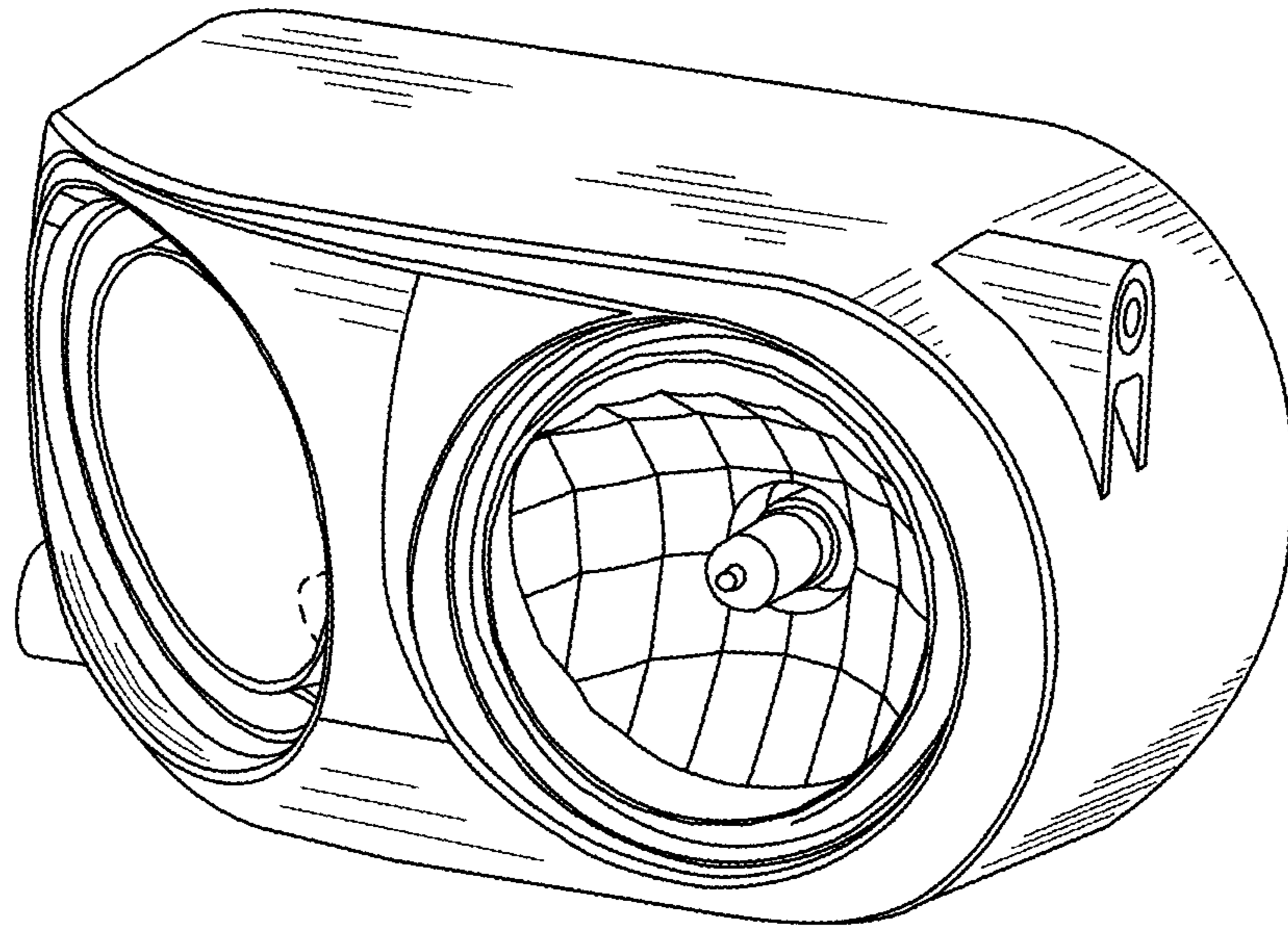


FIG. 2

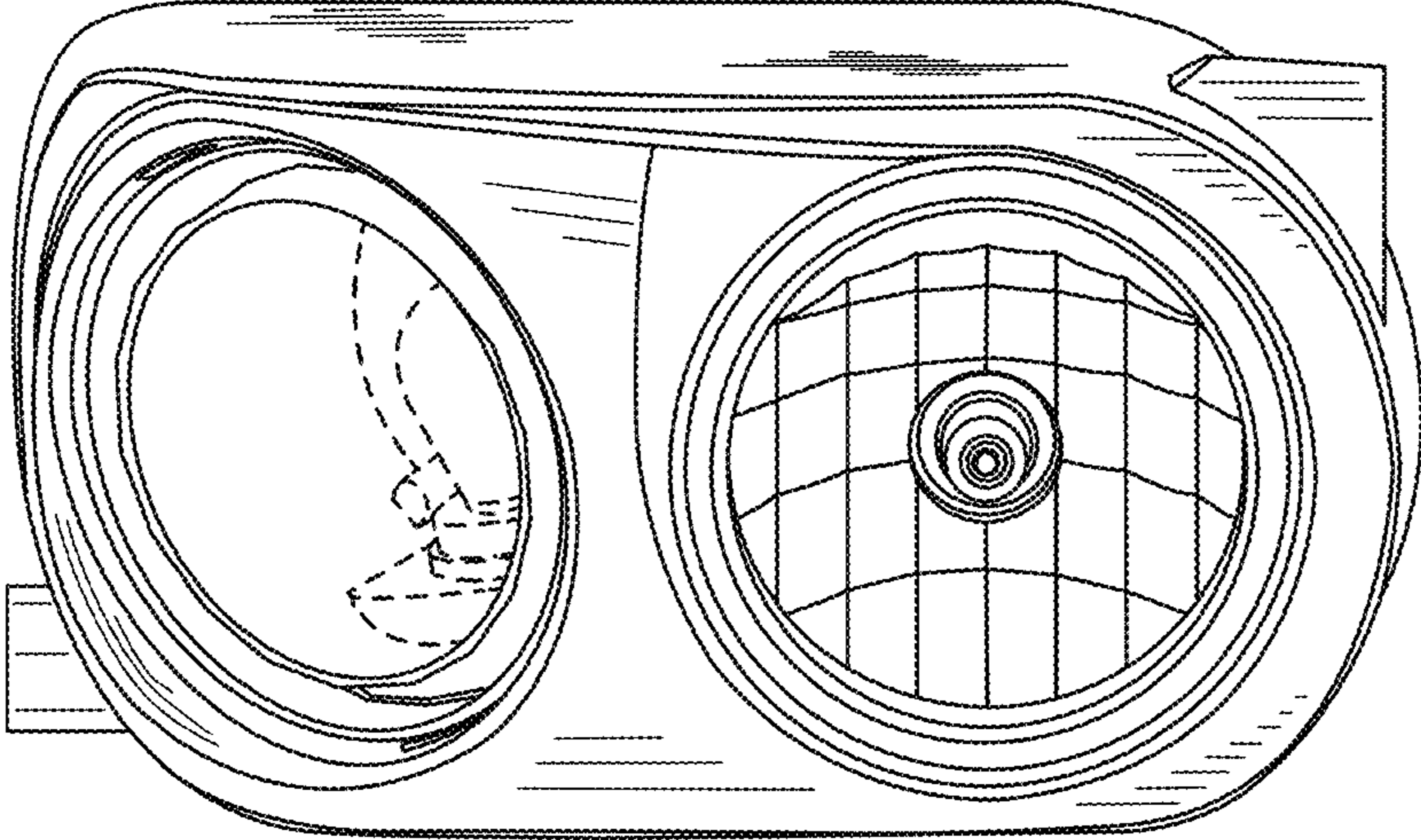


FIG. 3

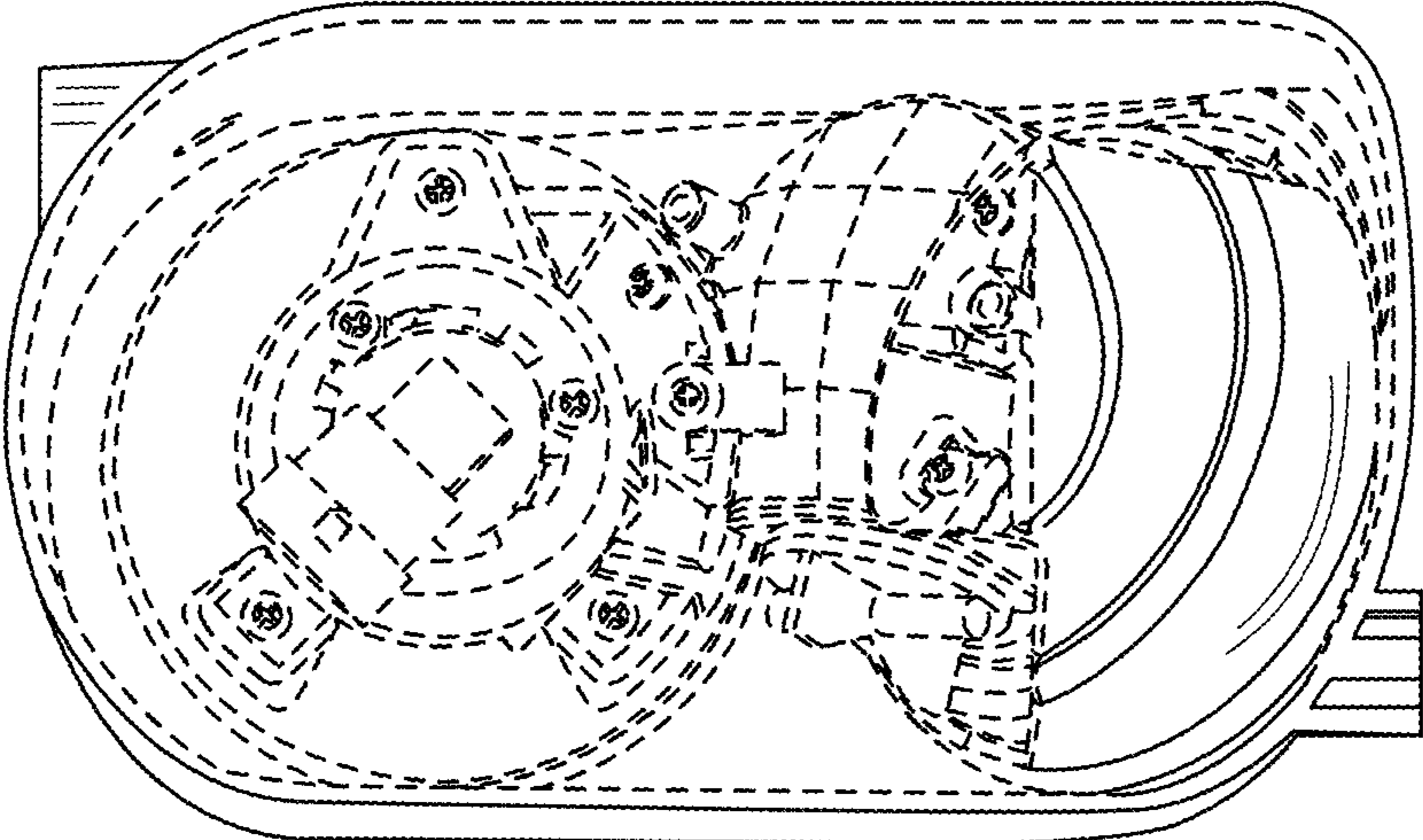


FIG. 4

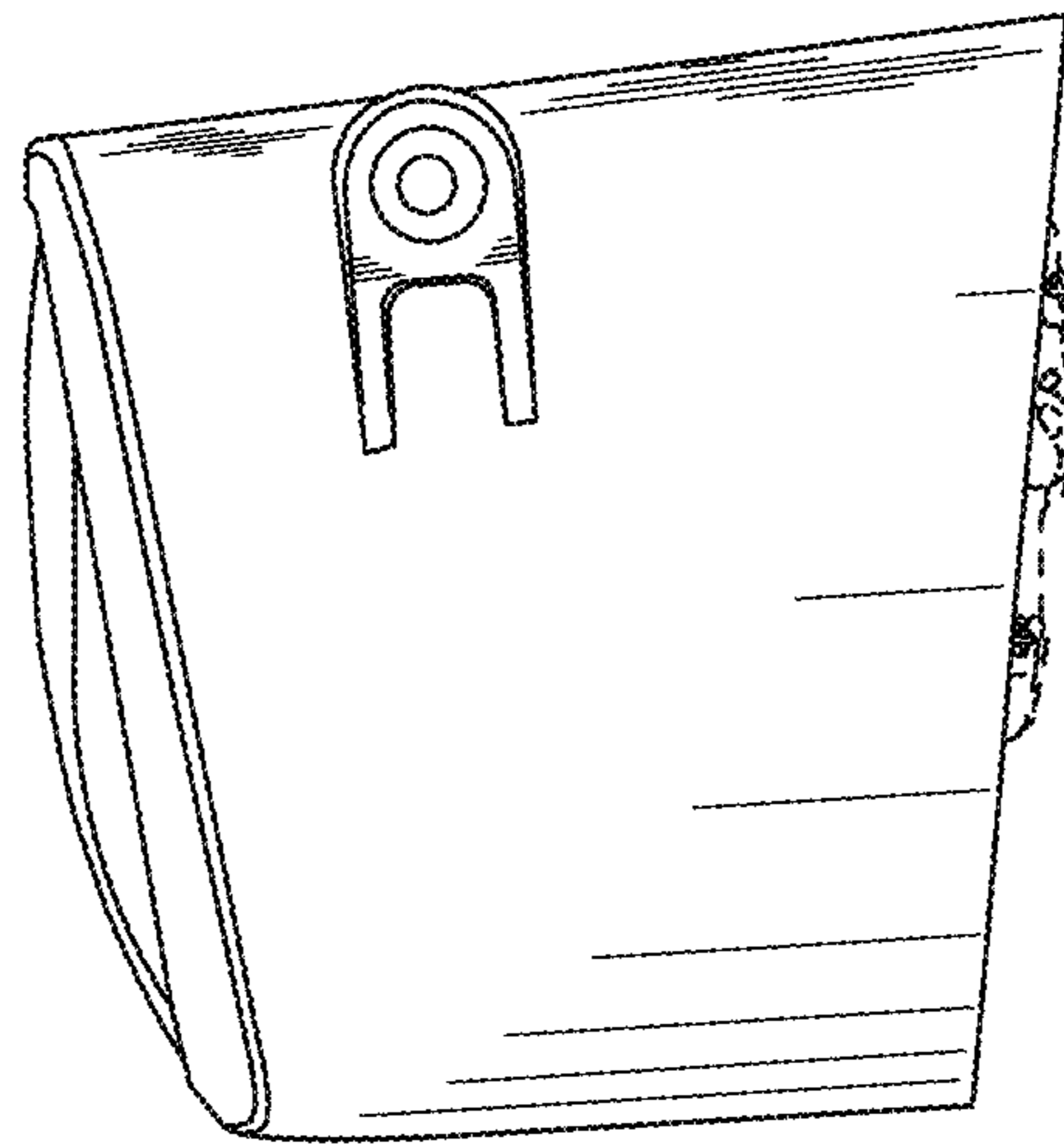


FIG. 5

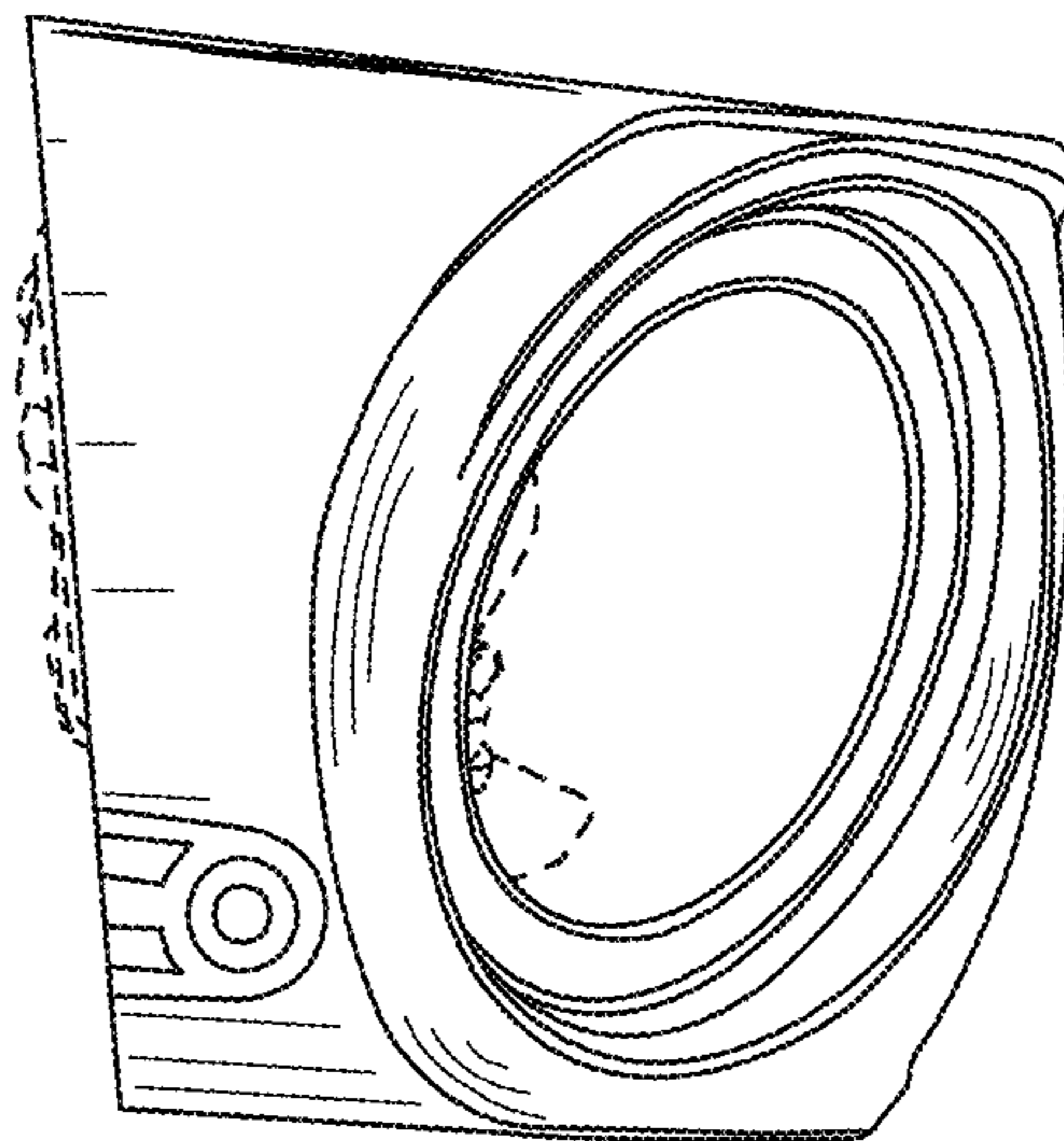


FIG. 6

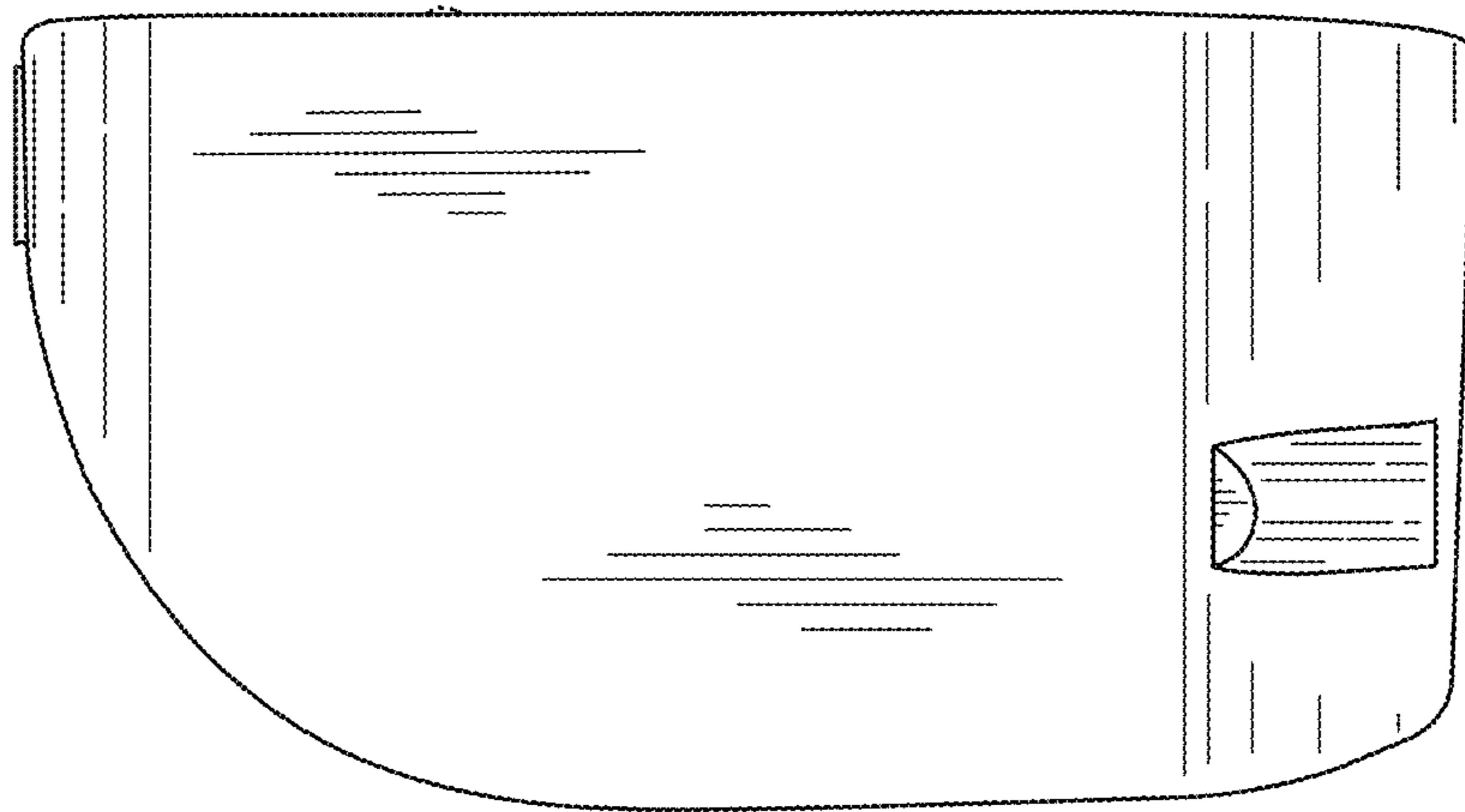


FIG. 7

