



US00D771290S

(12) **United States Design Patent** (10) **Patent No.:** **US D771,290 S**
Binder et al. (45) **Date of Patent:** **** Nov. 8, 2016**

(54) **TAILLIGHT FOR A VEHICLE**
(71) Applicant: **Daimler AG**, Stuttgart (DE)
(72) Inventors: **Thomas Binder**, Stockdorf (DE); **Stefan Handt**, Stuttgart (DE); **Denis Di Pardo**, Nufringen (DE); **Frederic Seemann**, Stuttgart (DE)
(73) Assignee: **Daimler AG**, Stuttgart (DE)

Primary Examiner — Marcus Jackson
(74) *Attorney, Agent, or Firm* — Crowell & Moring LLP

(**) Term: **15 Years**

(21) Appl. No.: **29/542,834**

(22) Filed: **Oct. 19, 2015**

(30) **Foreign Application Priority Data**

Apr. 20, 2015 (WO) DM/086266

(51) **LOC (10) Cl.** **26-06**

(52) **U.S. Cl.**
USPC **D26/28**

(58) **Field of Classification Search**
USPC D26/28–36; 362/61, 80–83, 267–269,
362/459–468, 475–478
CPC F21S 48/00; F21S 48/10; F21S 48/115;
F21S 48/225; F21S 48/1233; F21S 48/1266;
F21S 48/1388; F21S 48/2268; F21V 21/04
See application file for complete search history.

(56) **References Cited**

U.S. PATENT DOCUMENTS

D549,363 S * 8/2007 Pfeiffer D26/28
D552,769 S * 10/2007 Leclercq D26/28
D553,269 S * 10/2007 Pfeiffer D26/28
D570,015 S * 5/2008 Hsu D26/28
D574,524 S * 8/2008 Tomatsu D26/28

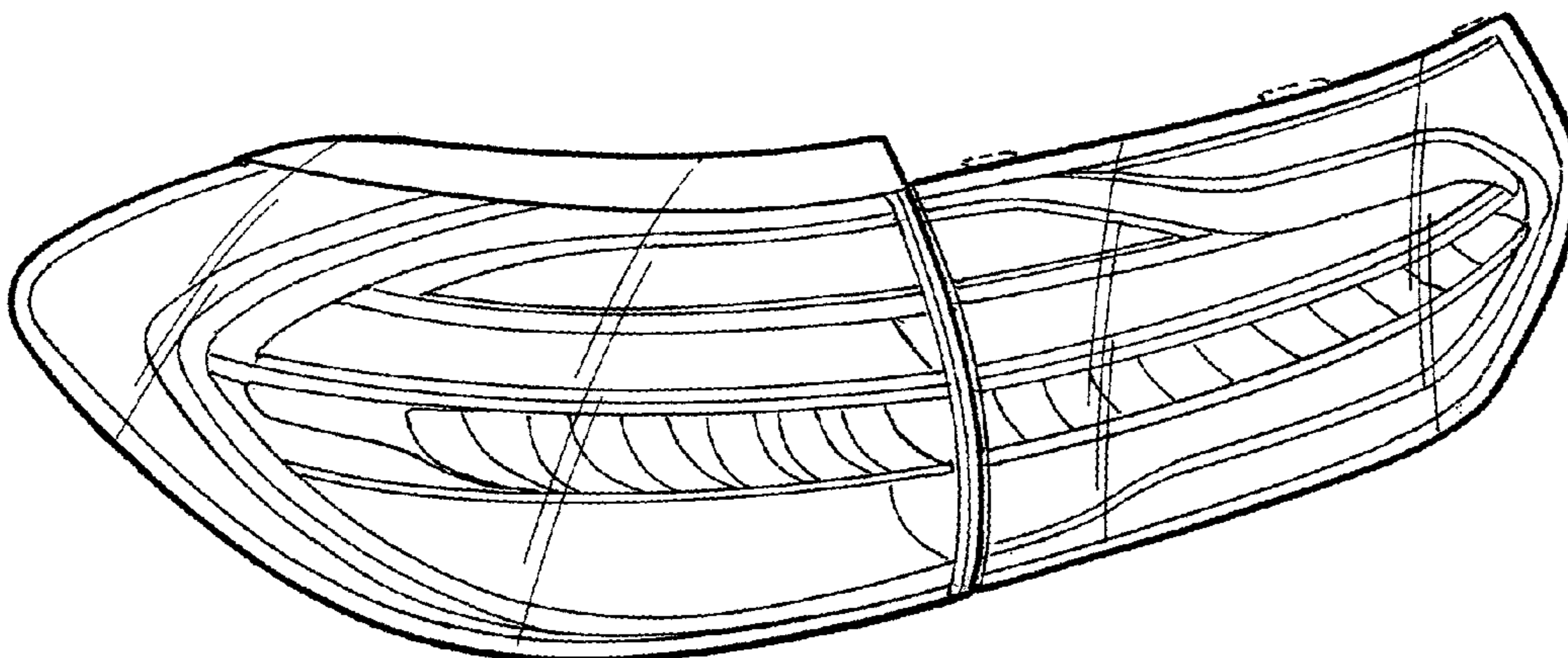
* cited by examiner

(57) **CLAIM**
The ornamental design for a taillight for a vehicle, as shown and described.

DESCRIPTION

This application contains subject matter related to the following co-pending U.S. design patent applications: Application Ser. No. 29/517,347, filed Feb. 12, 2015 and entitled “Taillight for a Vehicle;” Application Ser. No. 29/517,348, filed Feb. 12, 2015 and entitled “Taillight for a Vehicle;” Application Ser. No. 29/517,349, filed Feb. 12, 2015 and entitled “Taillight for a Vehicle;” Application Ser. No. 29/524,875, filed Apr. 24, 2015 and entitled “Vehicle, Toy, and/or Replicas Thereof;” and Application Ser. No. 29/524,877, filed Apr. 24, 2015 and entitled “Rear Portion of a Vehicle, Toy, and/or Replicas Thereof.”
FIG. 1 is a left perspective view of a first embodiment of a taillight for a vehicle according to the design;
FIG. 2 is a front view thereof;
FIG. 3 is a left side view thereof; and
FIG. 4 is a top view thereof.
FIG. 5 is a right perspective view of a second embodiment of a taillight for a vehicle thereof, with the taillight for a vehicle from the opposite side of the vehicle being depicted in the first embodiment;
FIG. 6 is a front view thereof;
FIG. 7 is a right side view thereof; and
FIG. 8 is a top view thereof.
The broken lines are for illustrative purposes only and form no part of the claimed design.

1 Claim, 4 Drawing Sheets



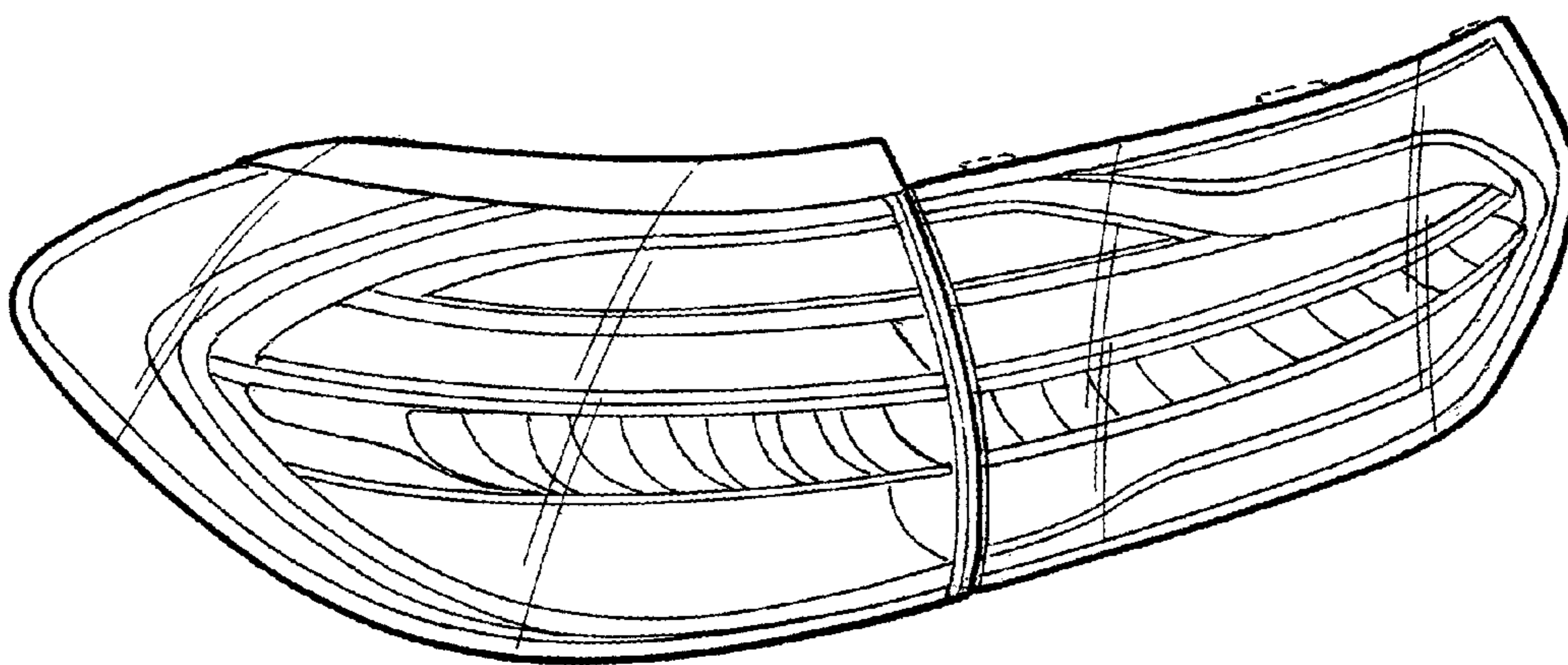


FIG. 1

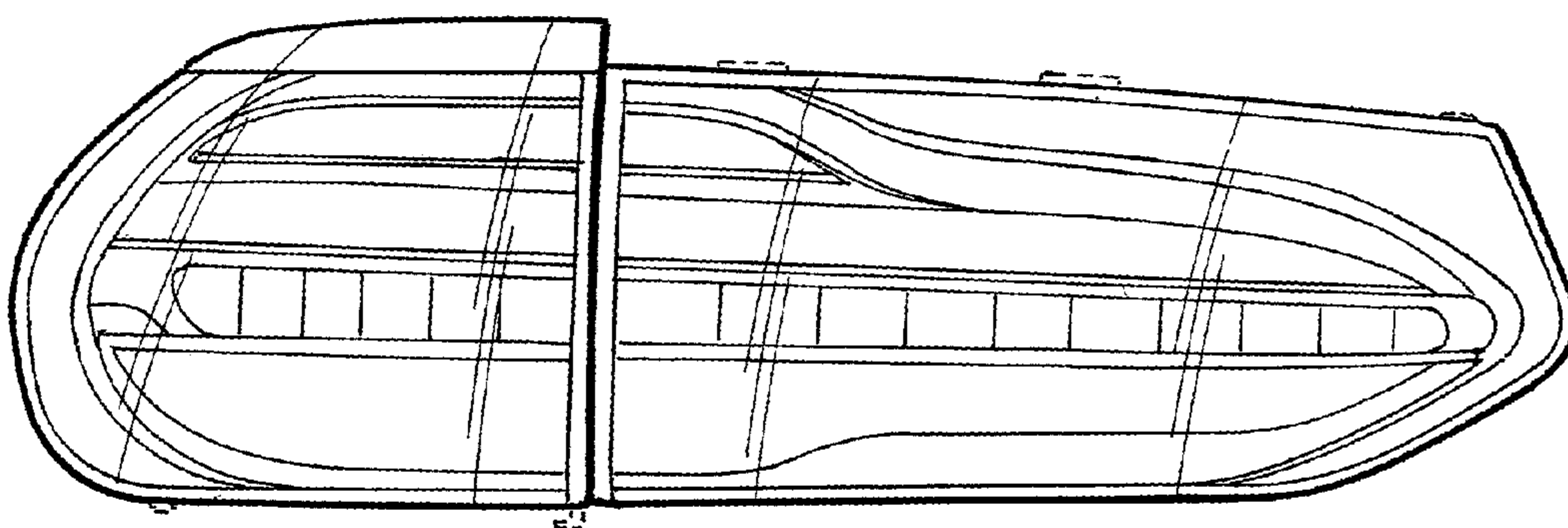


FIG. 2

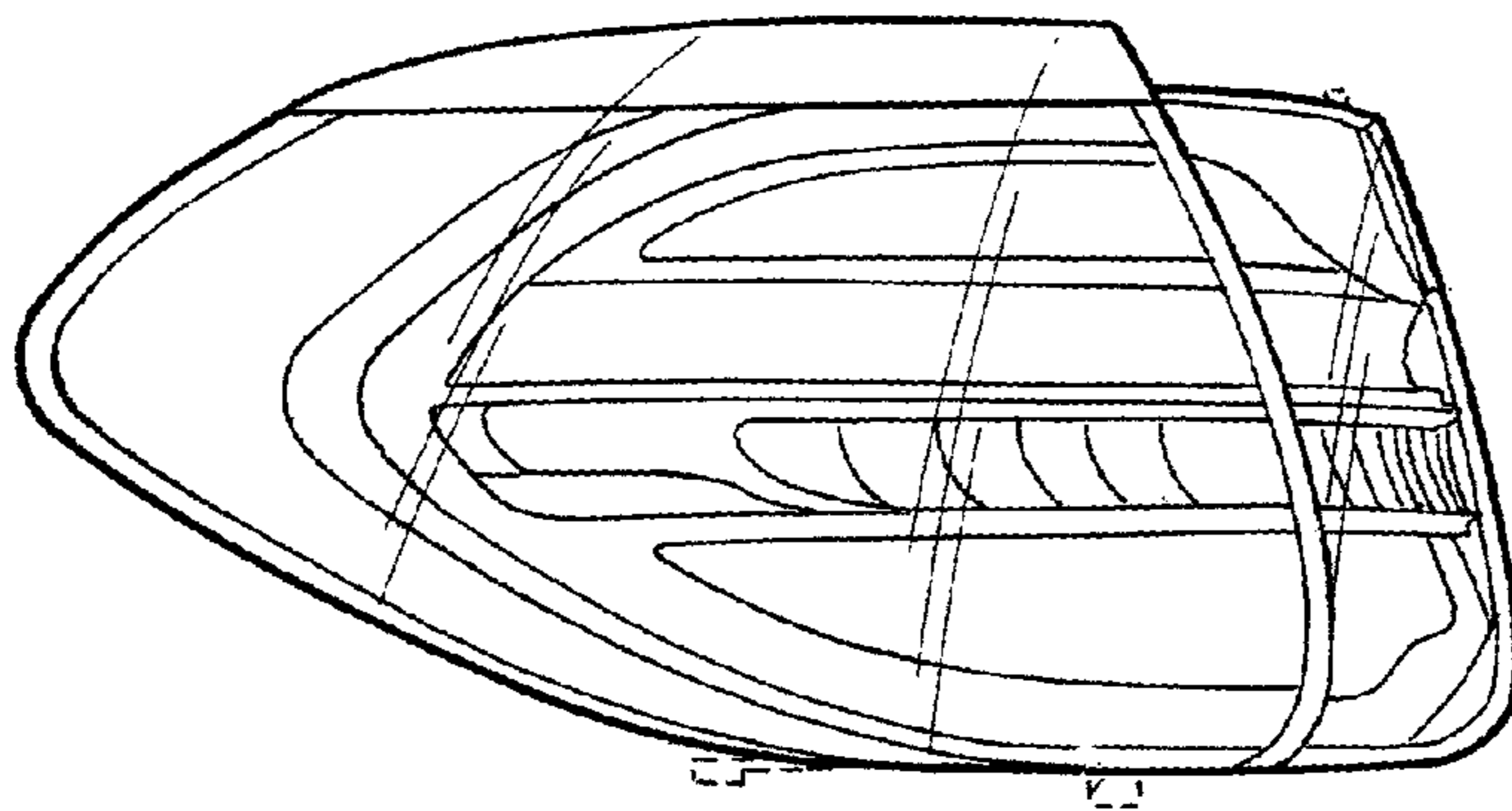


FIG. 3

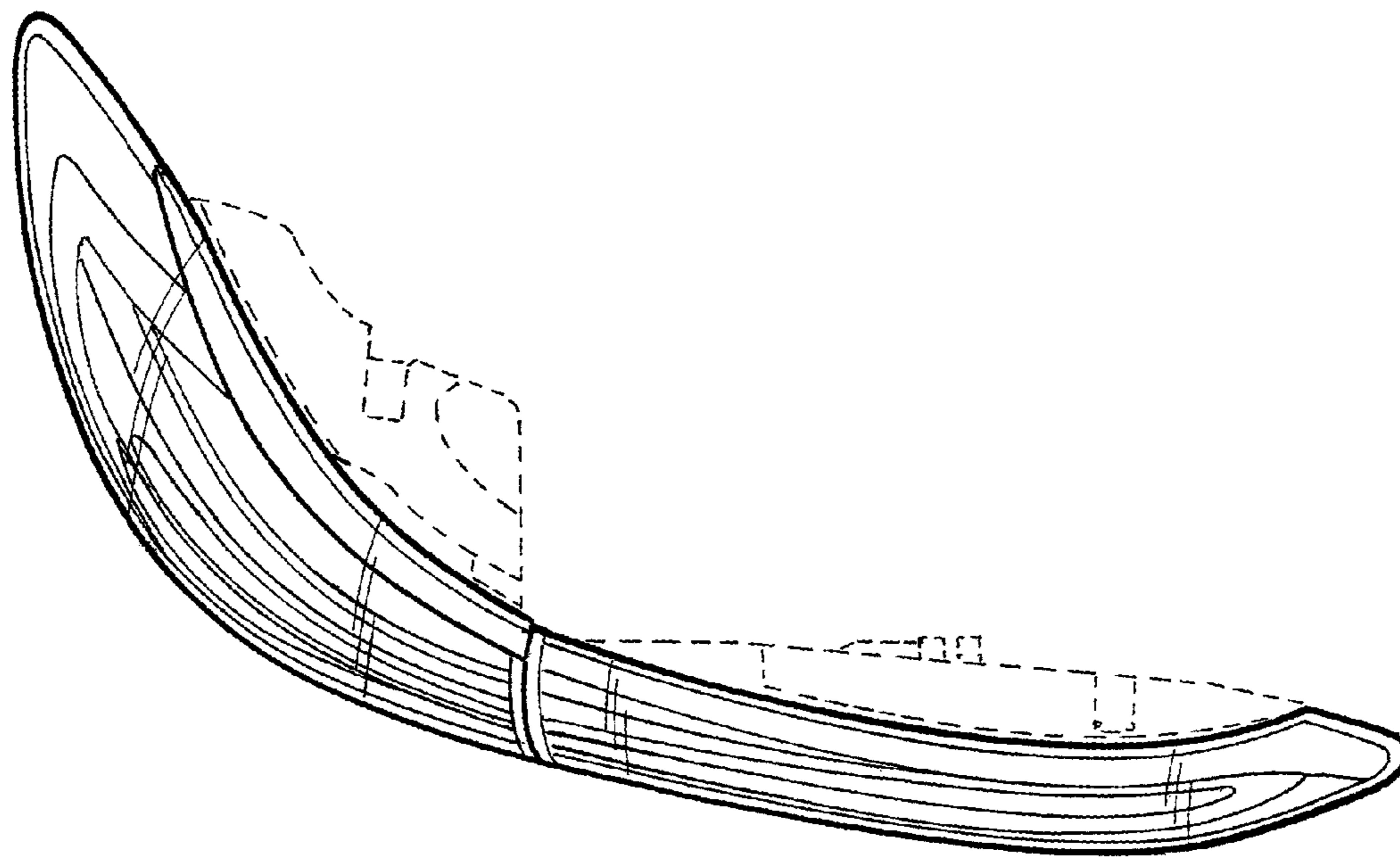


FIG. 4

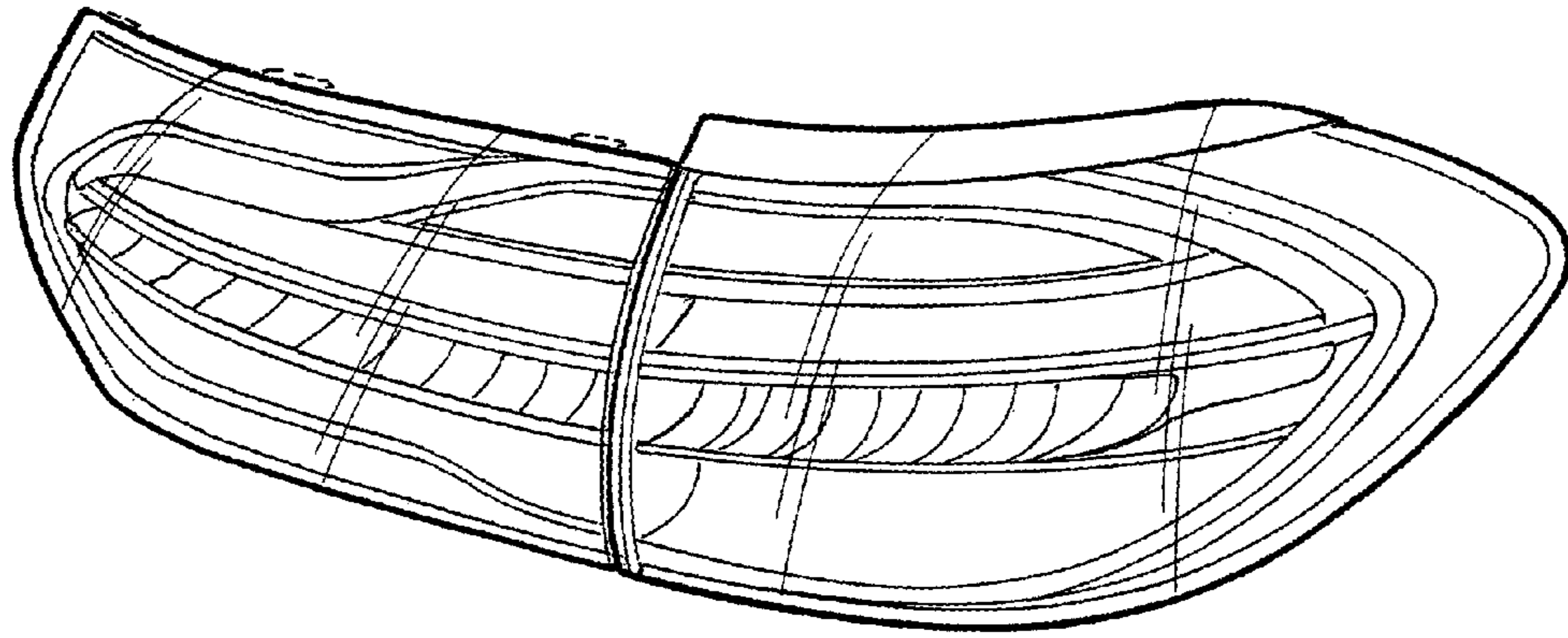


FIG. 5

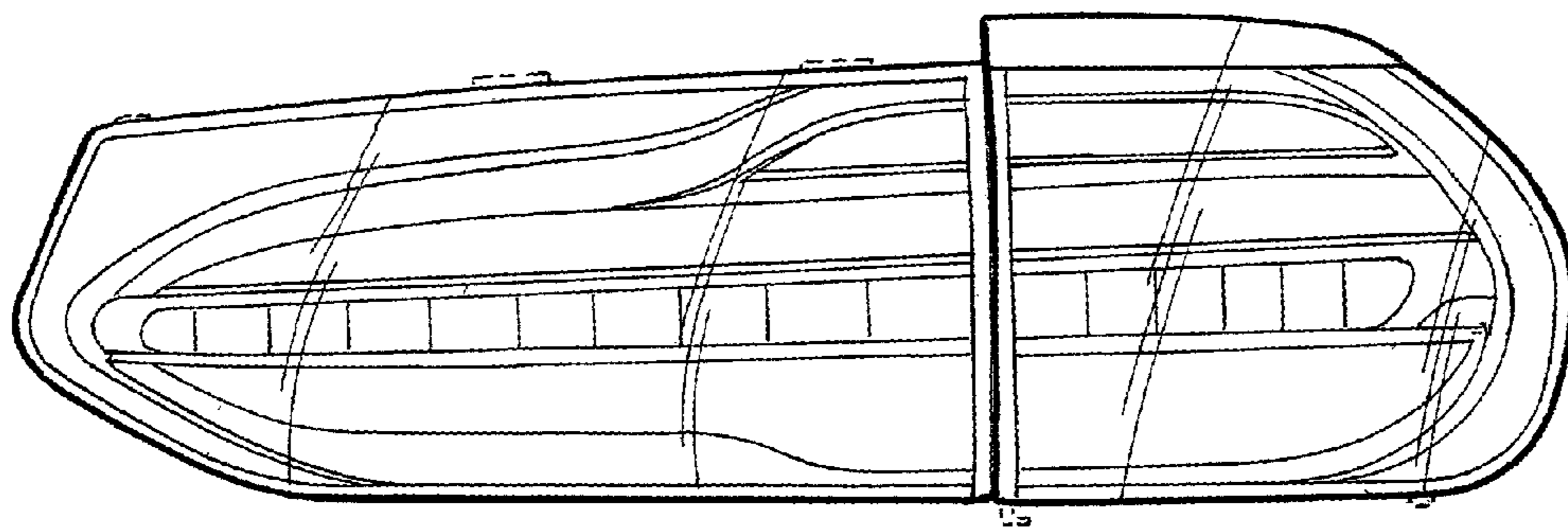


FIG. 6

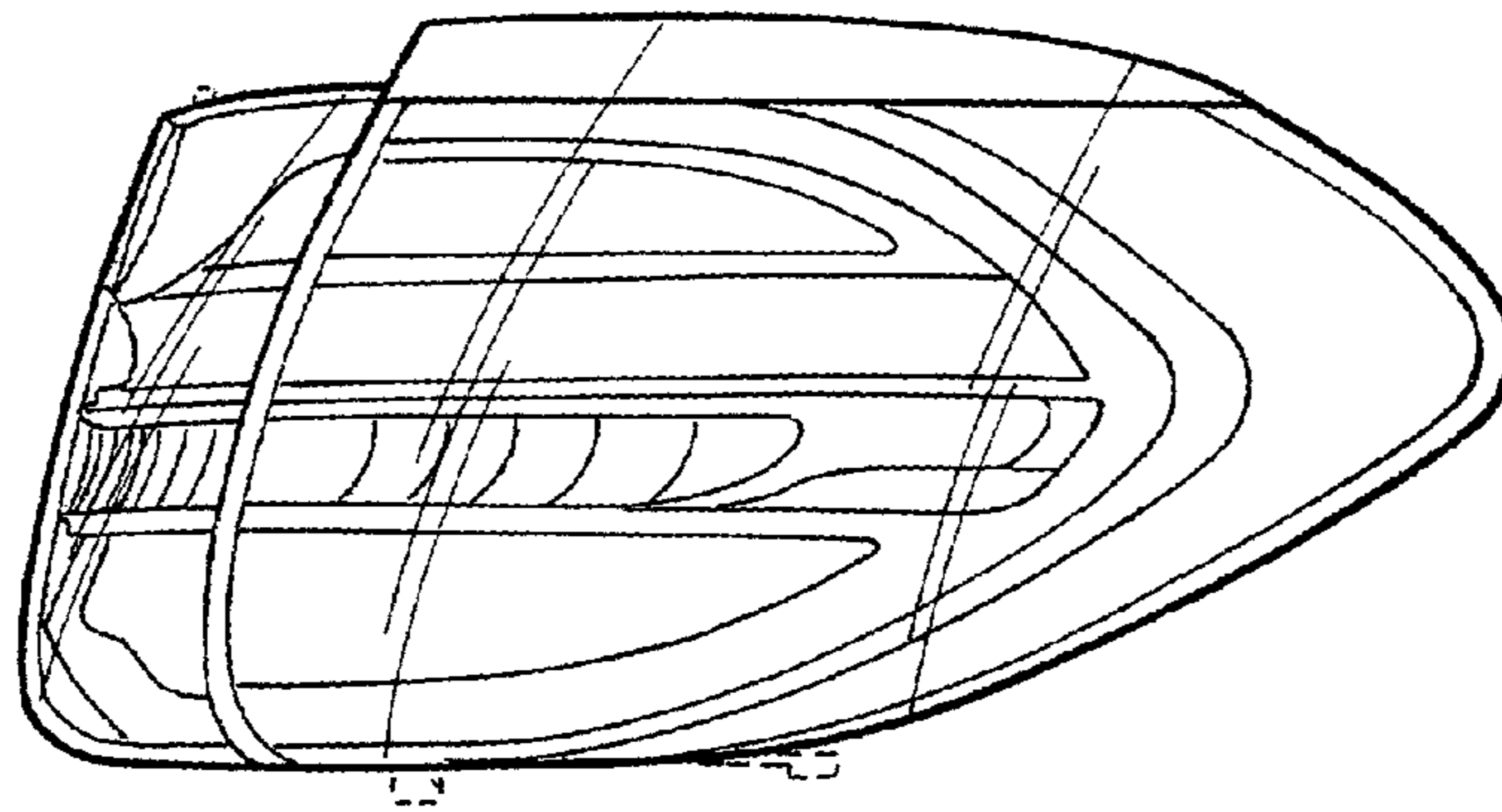


FIG. 7

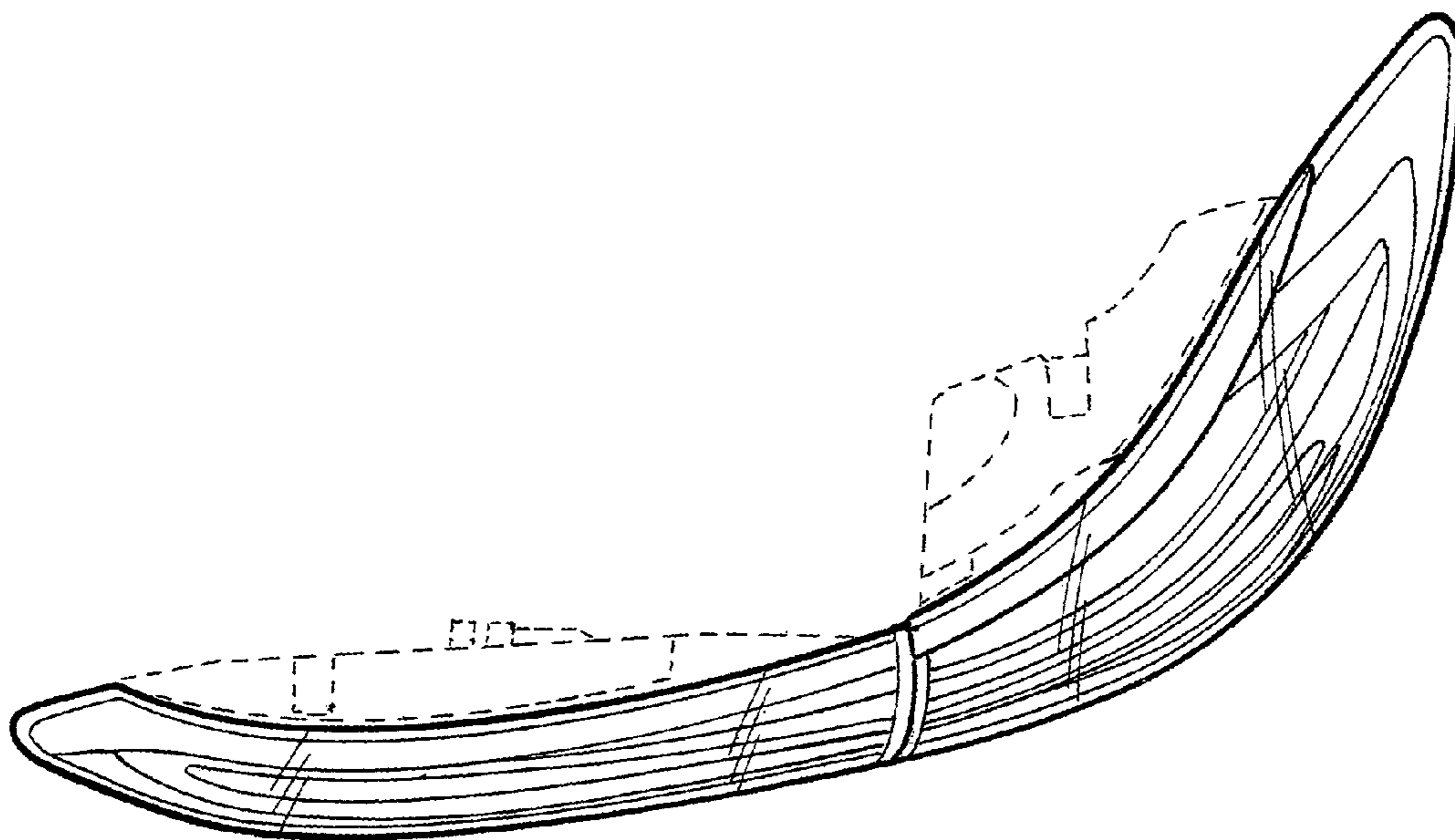


FIG. 8