



US00D771287S

(12) **United States Design Patent** (10) **Patent No.:** **US D771,287 S**
Ingenlath et al. (45) **Date of Patent:** **** Nov. 8, 2016**

(54) **VEHICLE TAILLIGHT**

(71) Applicant: **Volvo Car Corporation**, Göteborg (SE)

(72) Inventors: **Thomas Ingenlath**, Torslanda (SE);
Maximilian Missoni, Göteborg (SE);
Alsed Briscoe, Mölndal (SE)

(73) Assignee: **Volvo Car Corporation**, Gothenburg (SE)

(**) Term: **15 Years**

(21) Appl. No.: **29/542,816**

(22) Filed: **Oct. 17, 2015**

(30) **Foreign Application Priority Data**

Apr. 23, 2015 (EM) 002687657-0001

(51) **LOC (10) Cl.** **26-06**

(52) **U.S. Cl.**
USPC **D26/28**

(58) **Field of Classification Search**
USPC D26/28-36; 362/61, 80-83, 267-269,
362/459-468, 475-478, 485-487
CPC F21S 48/00; F21S 48/10; F21S 48/115;
F21S 48/225; F21S 48/1233; F21S 48/1266;
F21S 48/1388; F21S 48/2268; F21V 21/04;
B60Q 1/02; B60Q 1/04

See application file for complete search history.

(56) **References Cited**

U.S. PATENT DOCUMENTS

D605,793 S *	12/2009	Weil	D26/28
D638,559 S *	5/2011	Huet	D26/28
D683,870 S *	6/2013	Schmeckpeper	D26/28
D694,440 S *	11/2013	Johnson	D26/28
D694,442 S *	11/2013	Lai	D26/28
D719,691 S *	12/2014	Nordmann	D26/28
D741,522 S *	10/2015	Hanaoka	D26/28

* cited by examiner

Primary Examiner — Marcus Jackson

(74) *Attorney, Agent, or Firm* — Tucker Ellis LLP

(57) **CLAIM**

The ornamental design for a vehicle taillight, as shown and described.

DESCRIPTION

FIG. 1 is a perspective view of a vehicle taillight showing our new design.

FIG. 2 is front view thereof.

FIG. 3 is a rear view thereof.

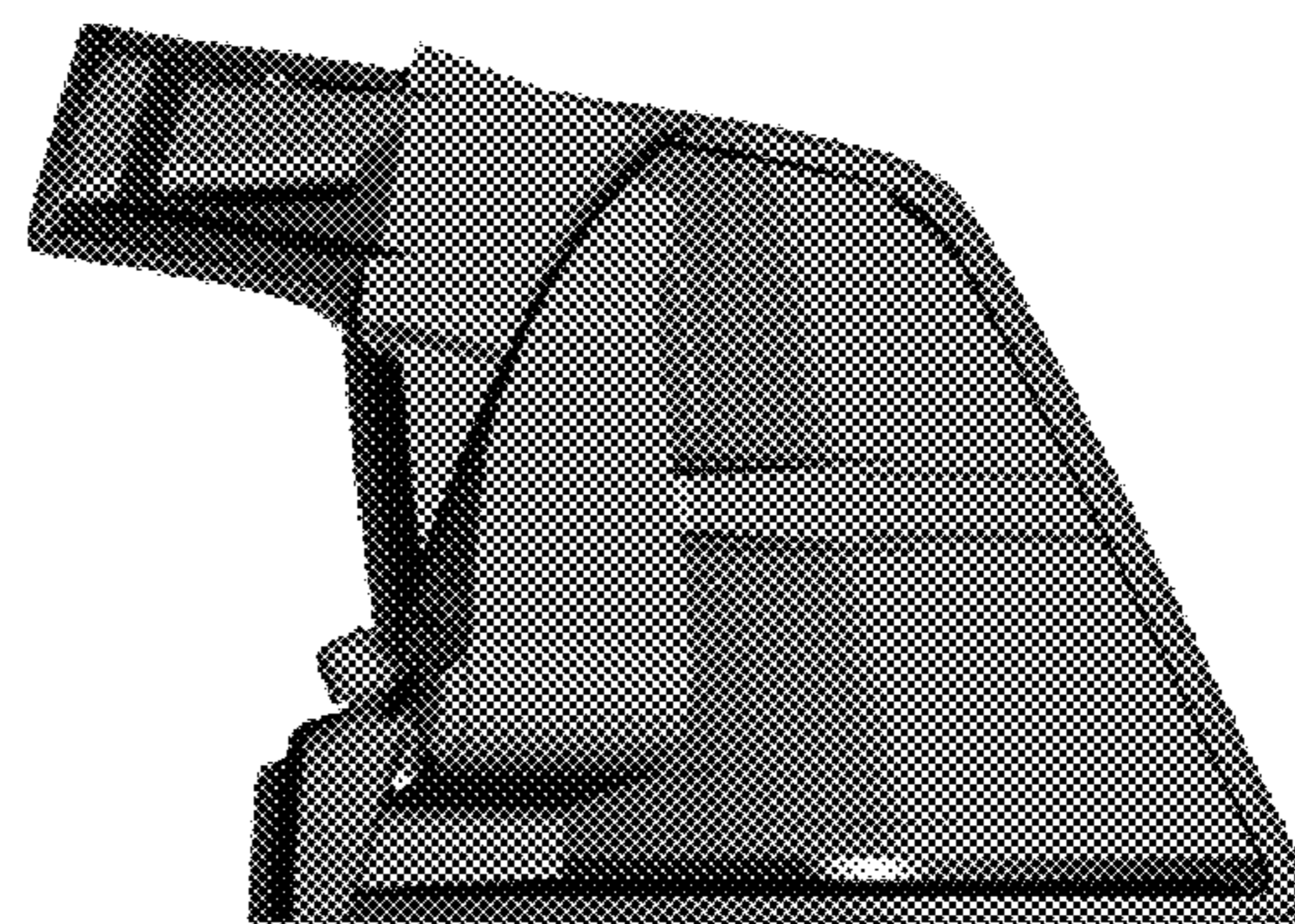
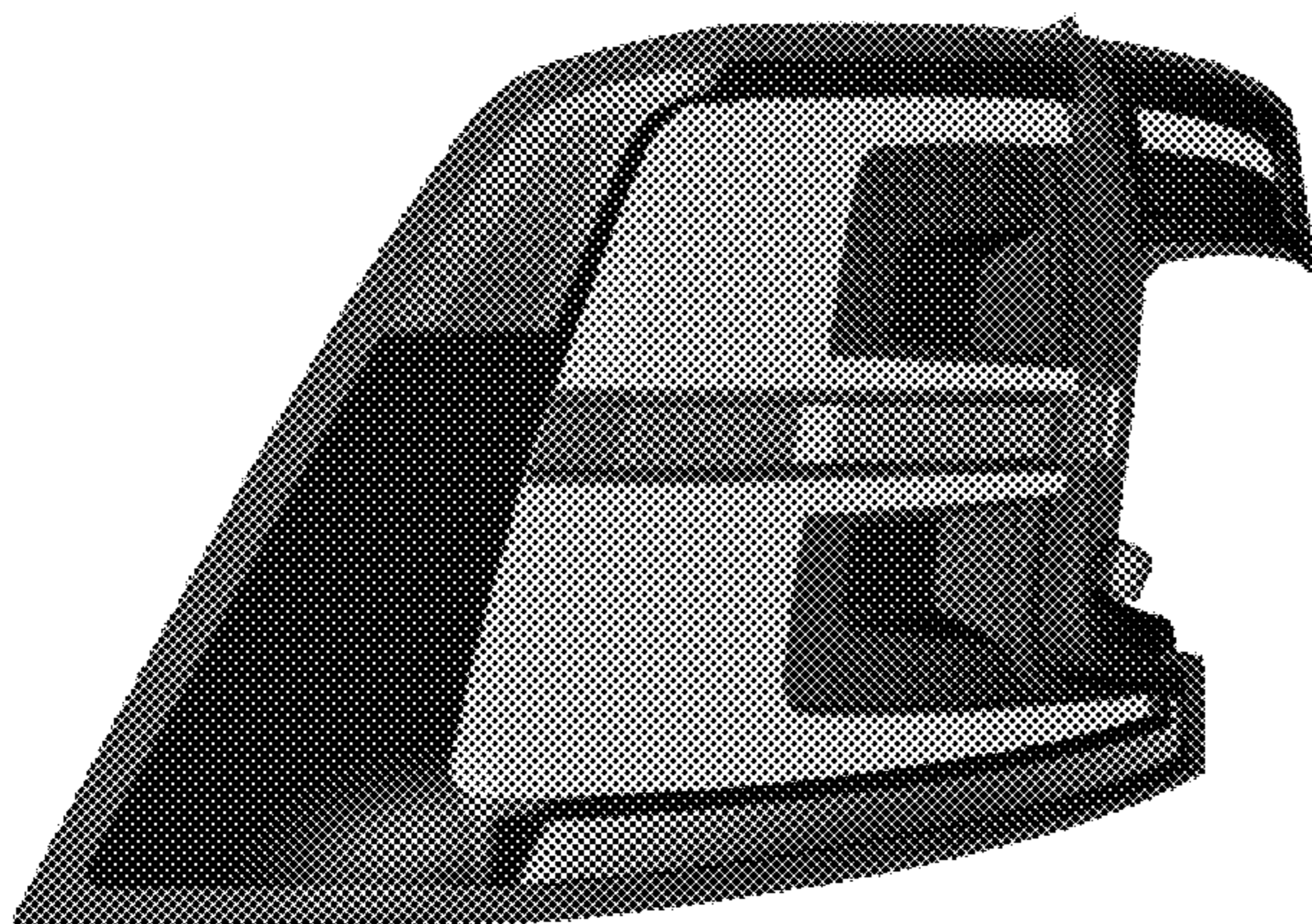
FIG. 4 is a left side view thereof.

FIG. 5 is a right side view thereof.

FIG. 6 is a top view thereof; and,

FIG. 7 is a bottom view thereof.

1 Claim, 7 Drawing Sheets



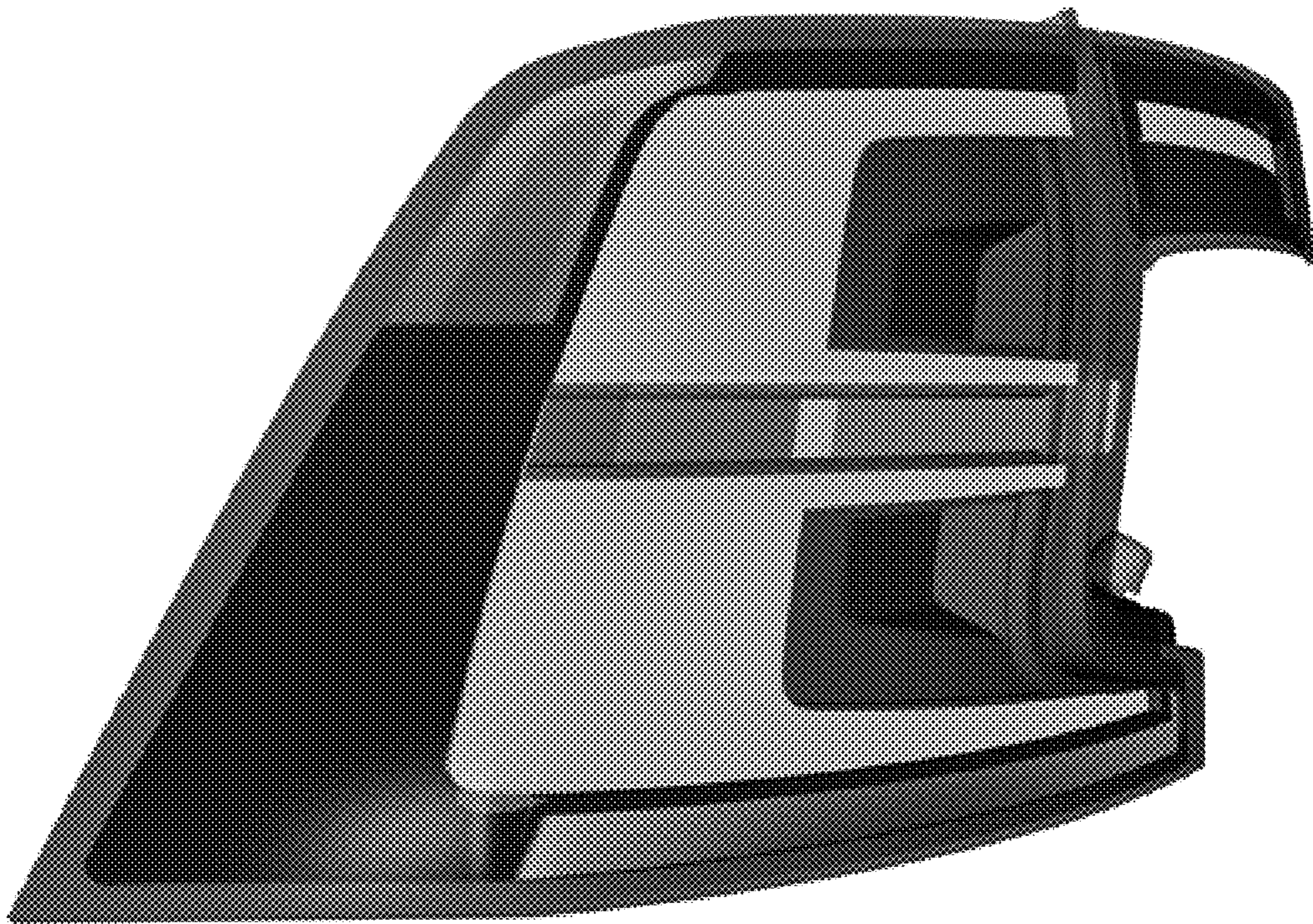


FIG. 1

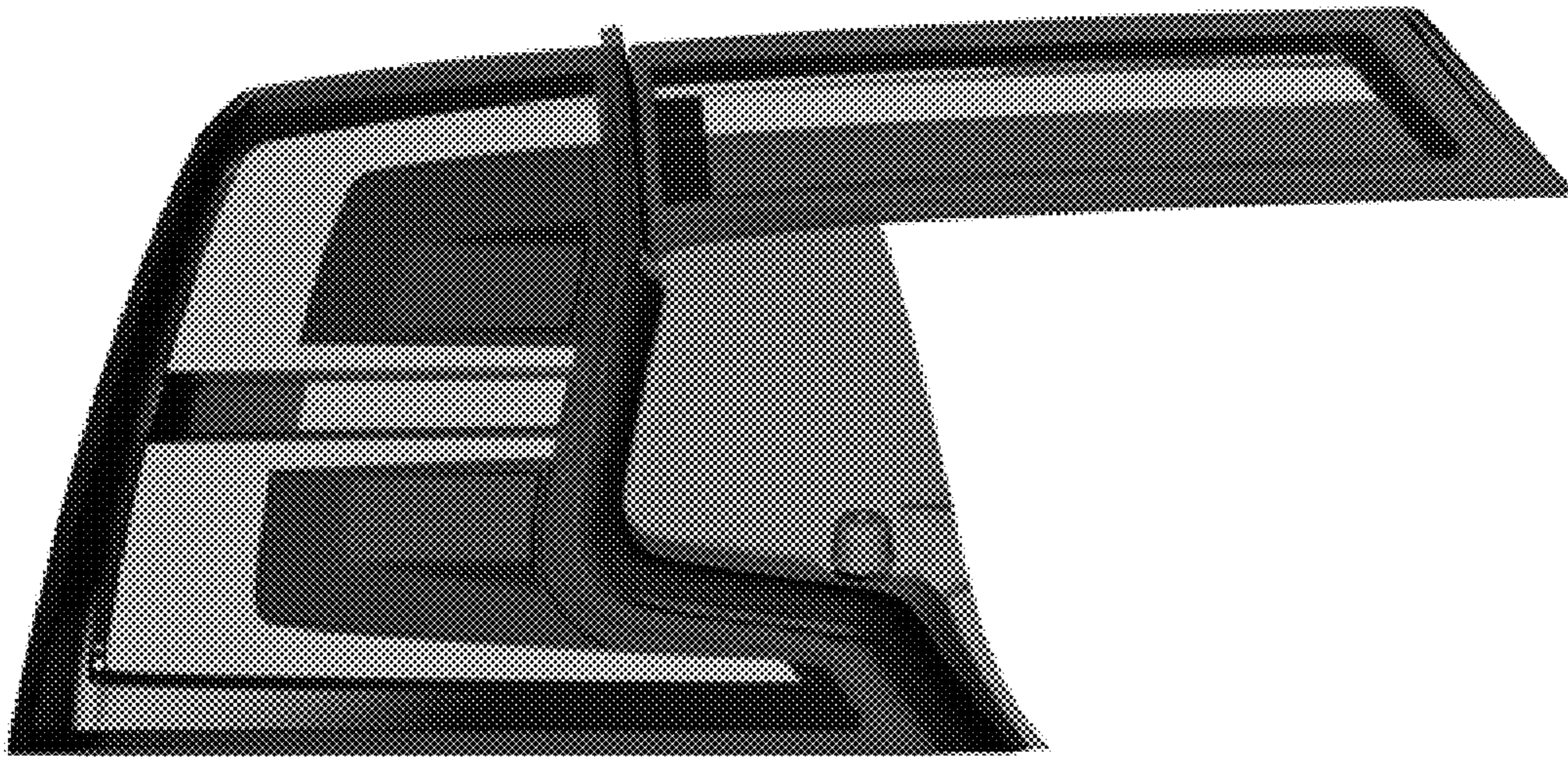


FIG. 2

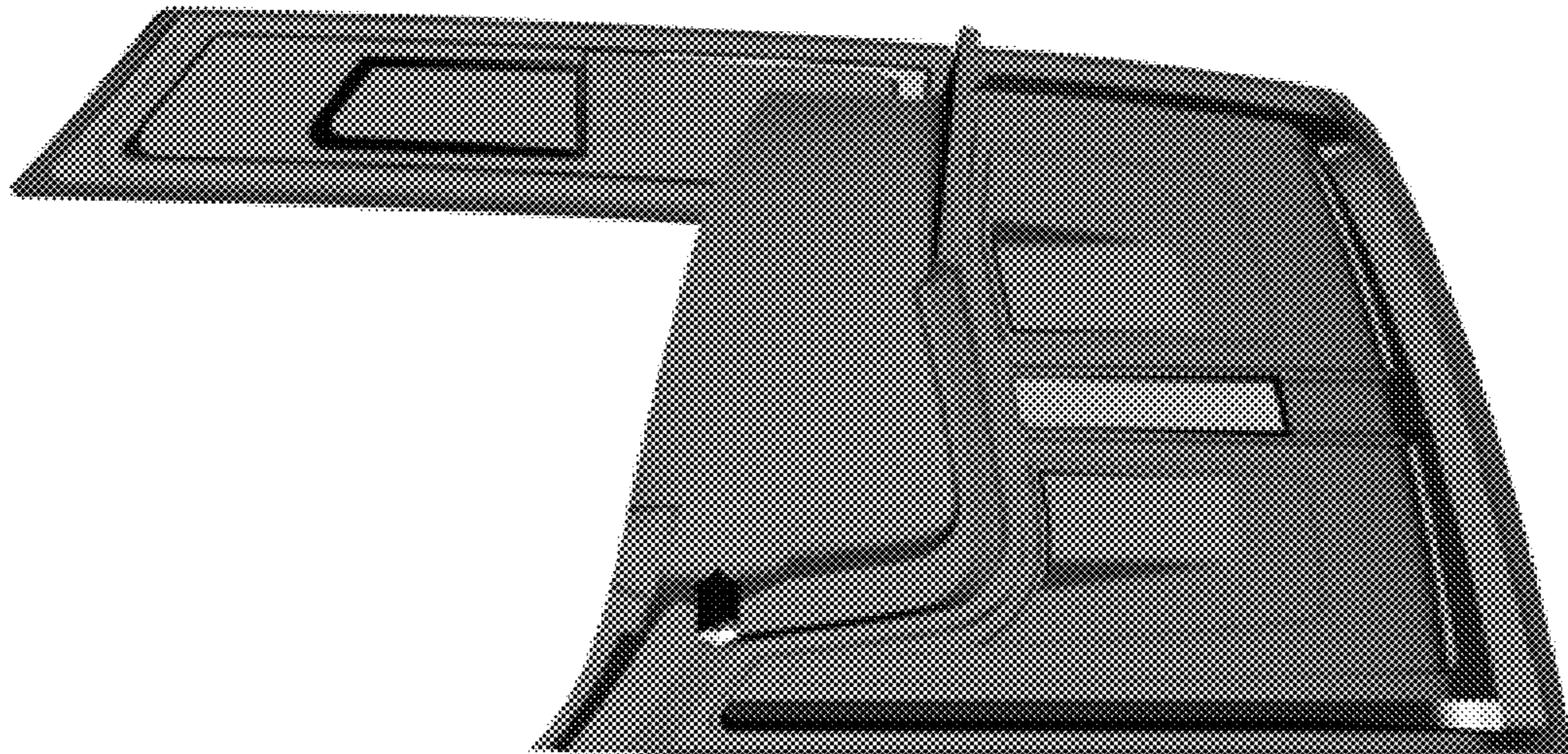


FIG. 3

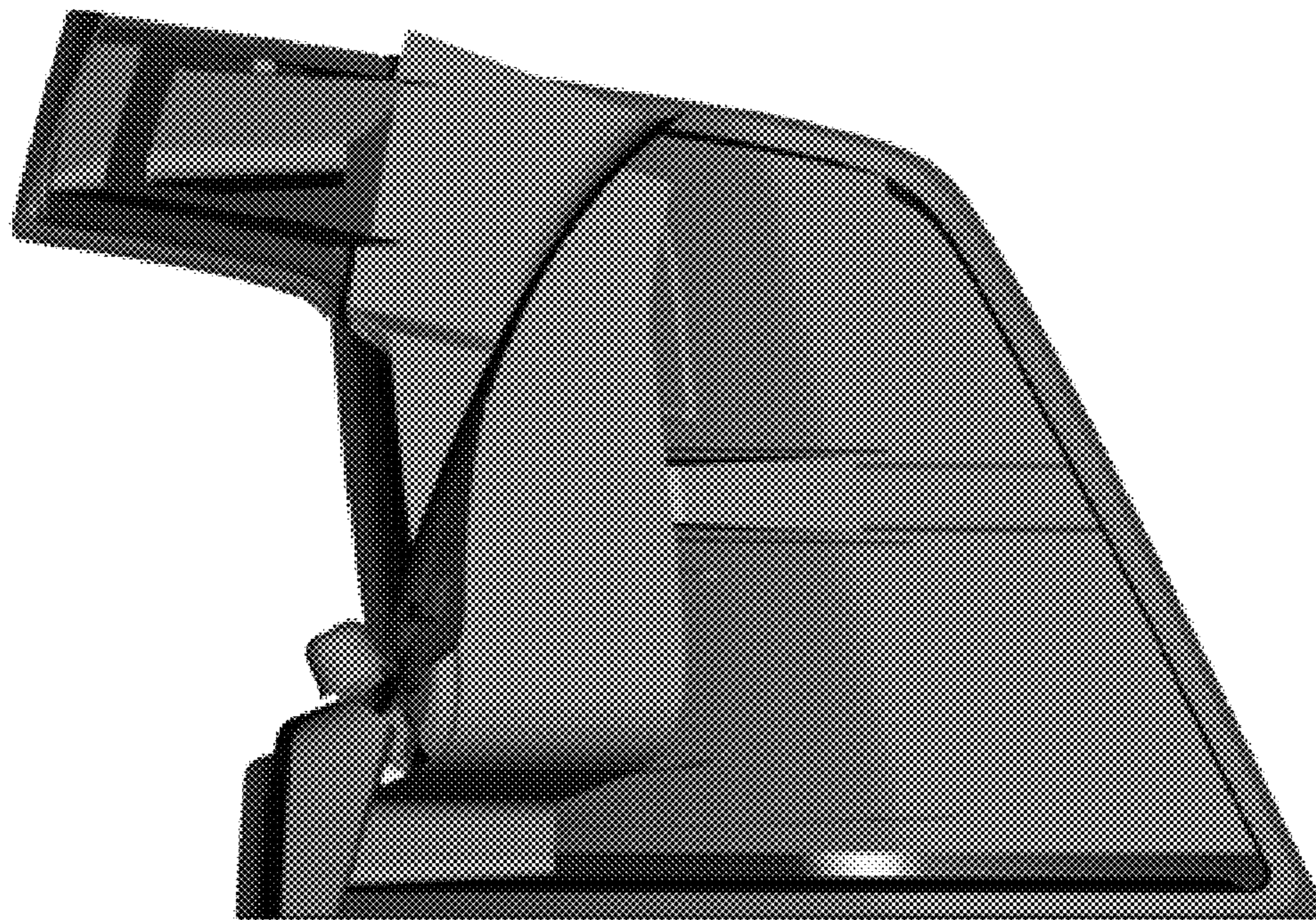


FIG. 4

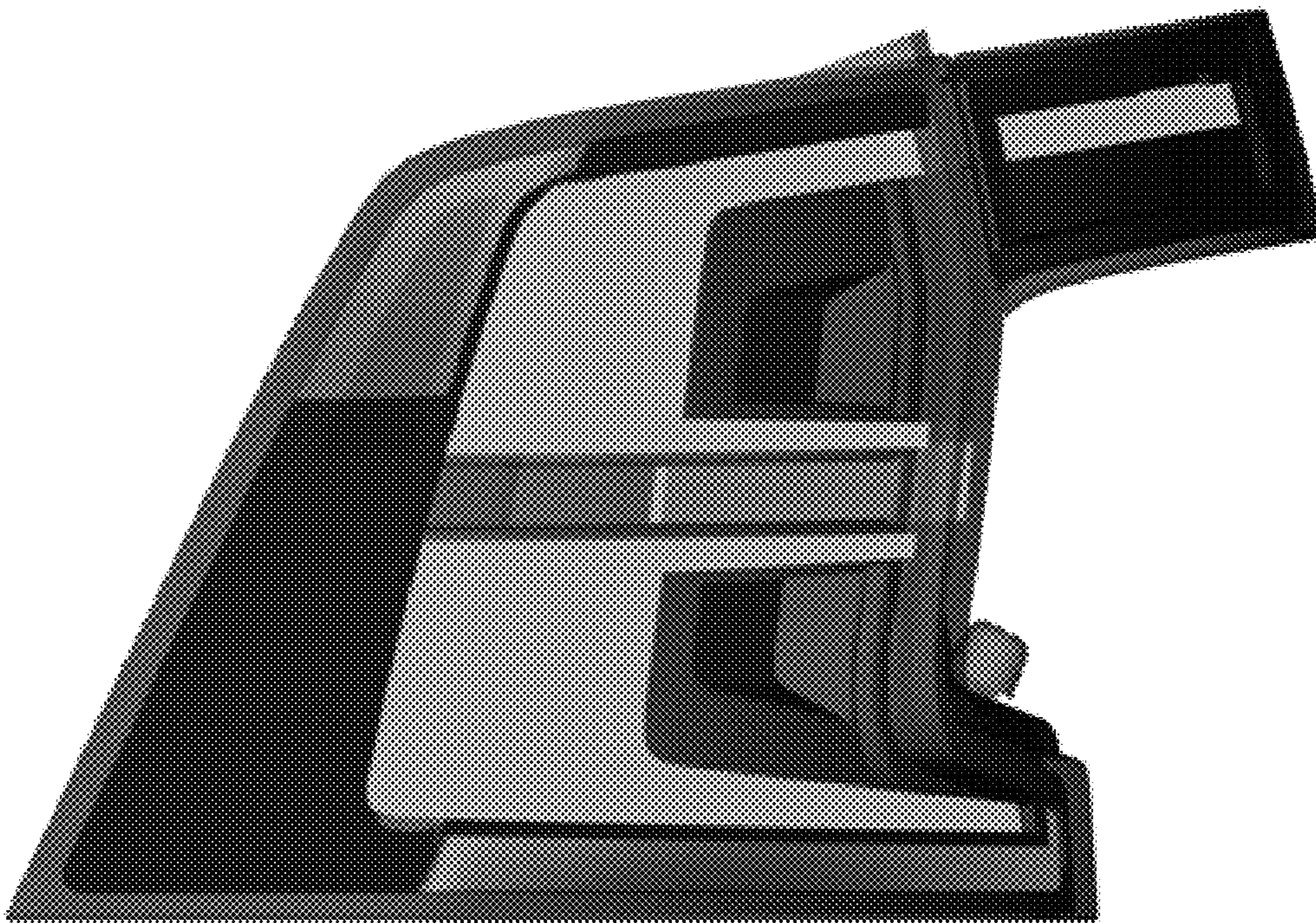


FIG. 5

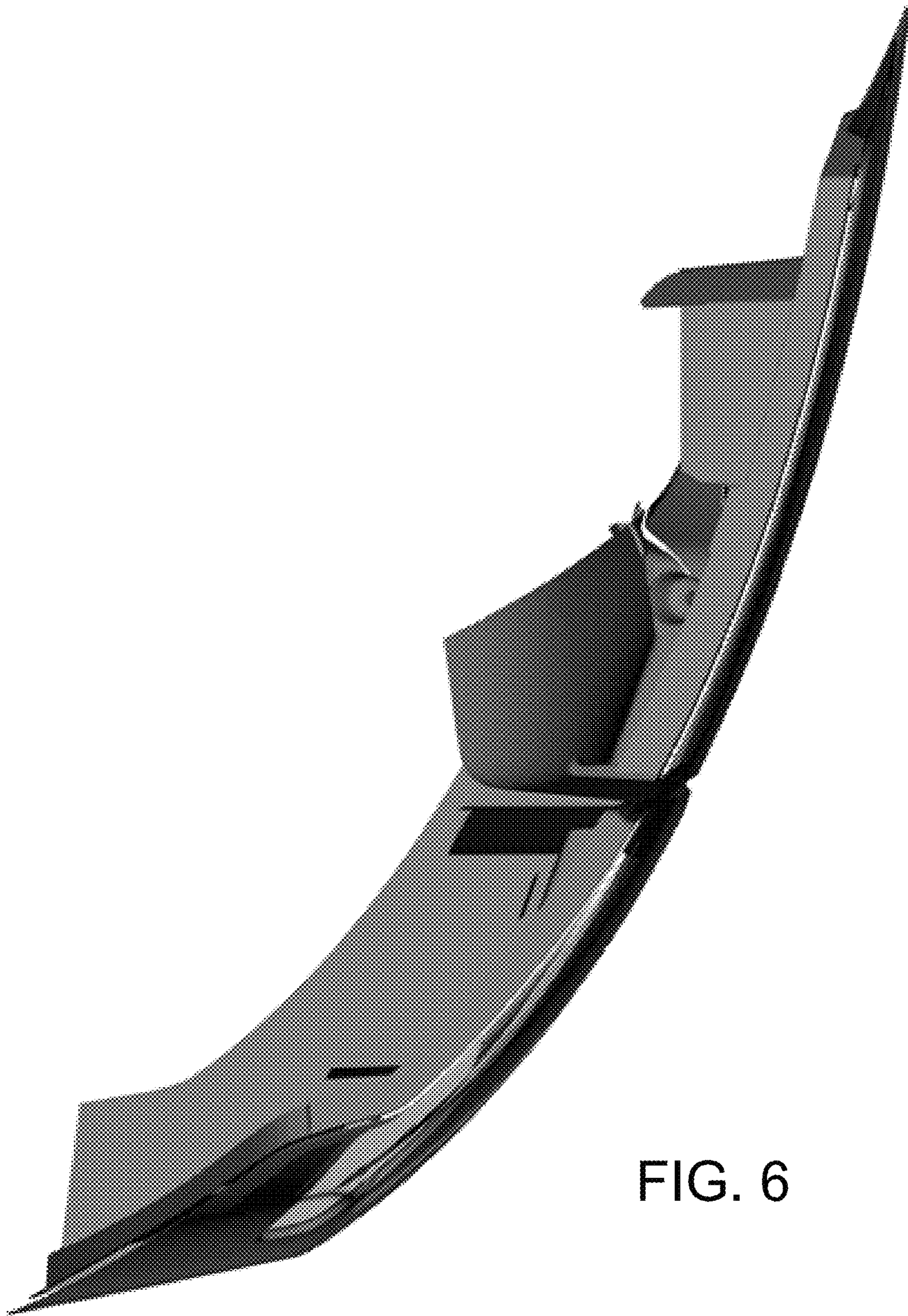


FIG. 6

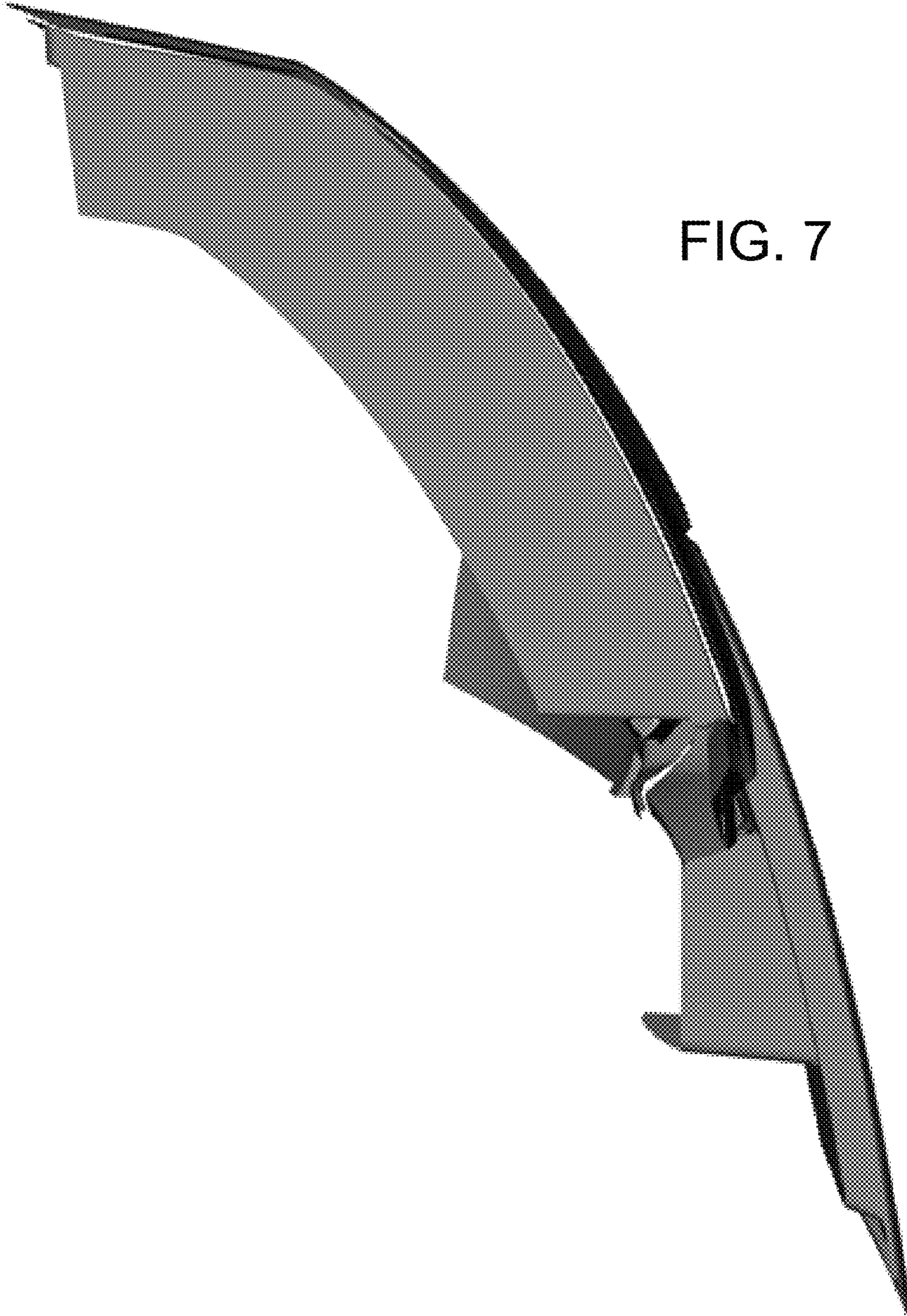


FIG. 7