



US00D771286S

(12) **United States Design Patent**
Tsai et al.

(10) **Patent No.:** **US D771,286 S**
(45) **Date of Patent:** **** Nov. 8, 2016**

(54) **COVER LENS FOR AN AUTOMOTIVE LAMP**

(71) Applicants: **Hsi-Hsien Tsai**, Tainan (TW);
Chun-Chih Chen, Tainan (TW)

(72) Inventors: **Hsi-Hsien Tsai**, Tainan (TW);
Chun-Chih Chen, Tainan (TW)

(73) Assignee: **LUCIDITY ENTERPRISE CO., LTD.**, Annan District, Tainan (TW)

(**) Term: **15 Years**

(21) Appl. No.: **29/530,312**

(22) Filed: **Jun. 16, 2015**

(51) **LOC (10) Cl.** **26-05**

(52) **U.S. Cl.**
USPC **D26/28**

(58) **Field of Classification Search**
USPC D26/28-36; 362/459-468, 475-478,
362/485-487
CPC F21S 48/00; F21S 48/10; F21S 48/115;
F21S 48/225; F21S 48/1233; F21S 48/1266;
F21S 48/1388; F21S 48/2268; F21V 21/04
See application file for complete search history.

(56) **References Cited**

U.S. PATENT DOCUMENTS

D410,758 S * 6/1999 Reinbach D26/28
D427,343 S * 6/2000 Reinbach D26/28
D436,194 S * 1/2001 Reinbach D26/28

D440,513 S * 4/2001 Smith D10/114.3
D441,678 S * 5/2001 Lyons D10/114.1
D541,449 S * 4/2007 Rogers D26/28
D643,559 S * 8/2011 Seymour D26/28
D643,955 S * 8/2011 Tsai D26/28
D712,076 S * 8/2014 Haumann D26/28
D715,469 S * 10/2014 Chou D26/28
D738,014 S * 9/2015 Lin D26/28
D738,018 S * 9/2015 Lin D26/28
D742,042 S * 10/2015 Li D26/28

* cited by examiner

Primary Examiner — Angela J Lee

(57) **CLAIM**

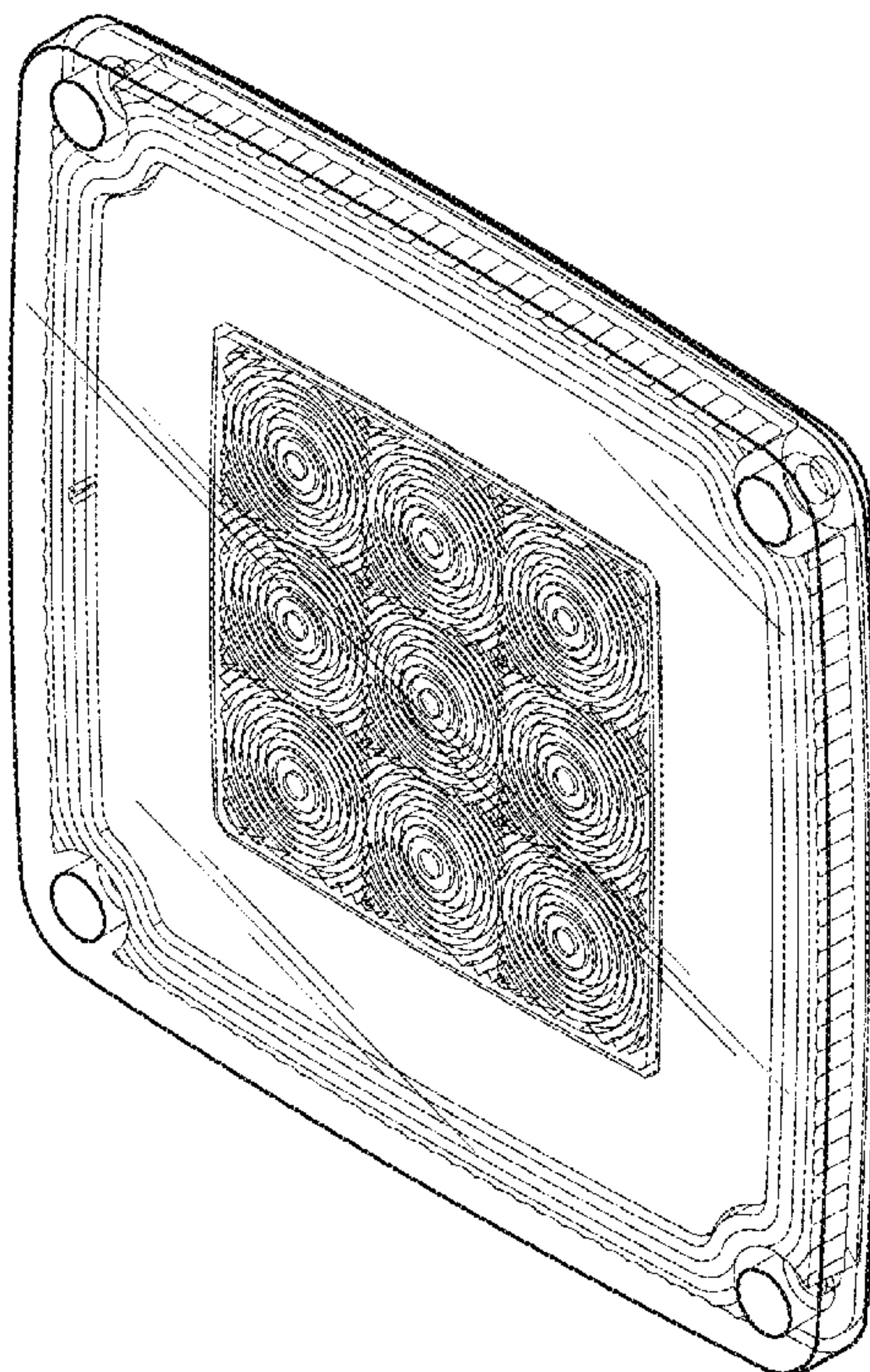
The ornamental design for a cover lens for an automotive lamp, as shown and described.

DESCRIPTION

FIG. 1 is a perspective view of a cover lens for an automotive lamp showing my design;
FIG. 2 is a front elevational view thereof;
FIG. 3 is a rear elevational view thereof;
FIG. 4 is a left side elevational view thereof;
FIG. 5 is a right side elevational view thereof;
FIG. 6 is a top plan view thereof;
FIG. 7 is a bottom plan view thereof; and,
FIG. 8 is an environmental view thereof attached to an automotive lamp.

The ornamental design which is claimed is shown in solid lines in the drawings. The broken lines in the drawings are for illustrative purposes only and form no part of the claimed design.

1 Claim, 6 Drawing Sheets



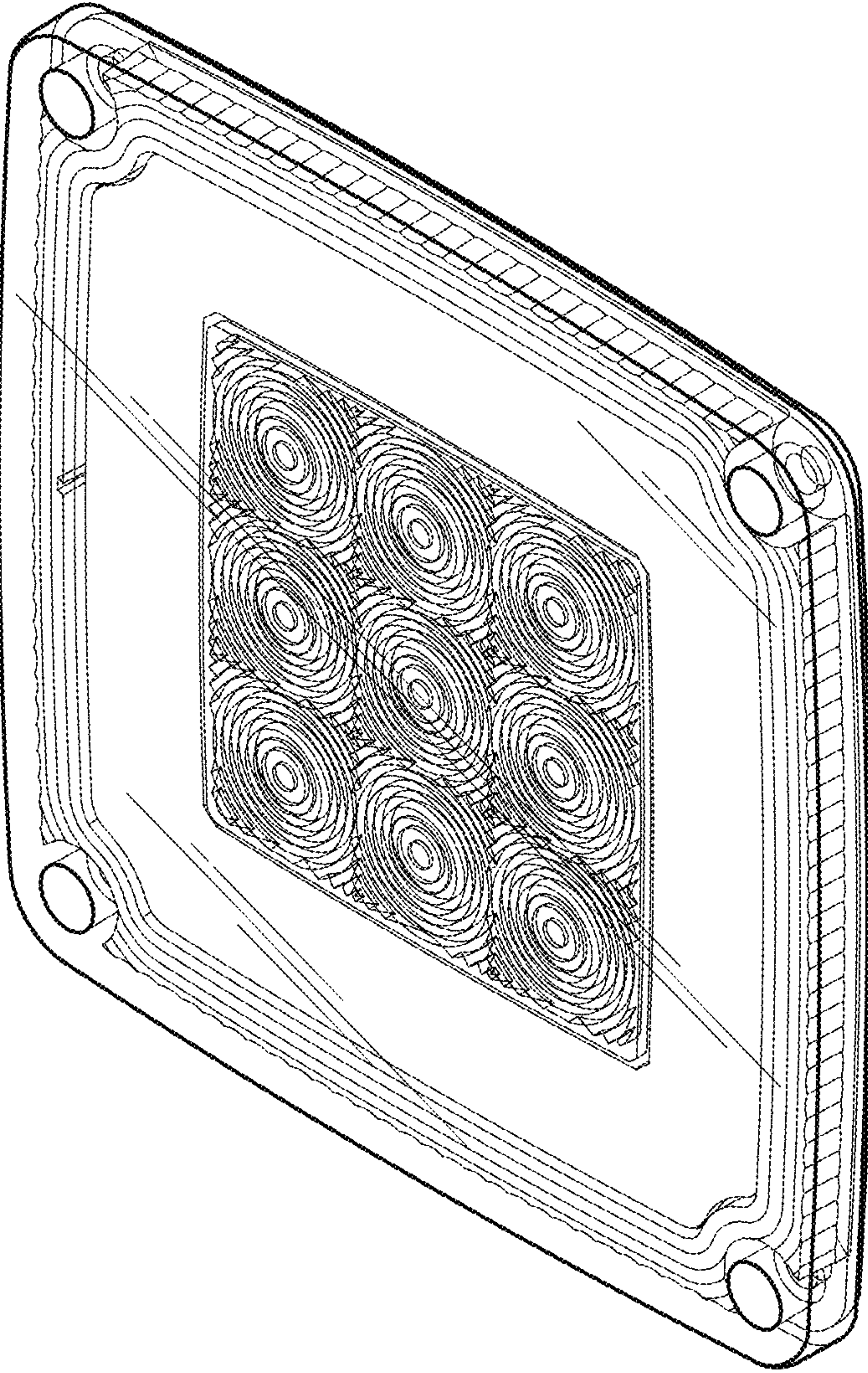


FIG.1

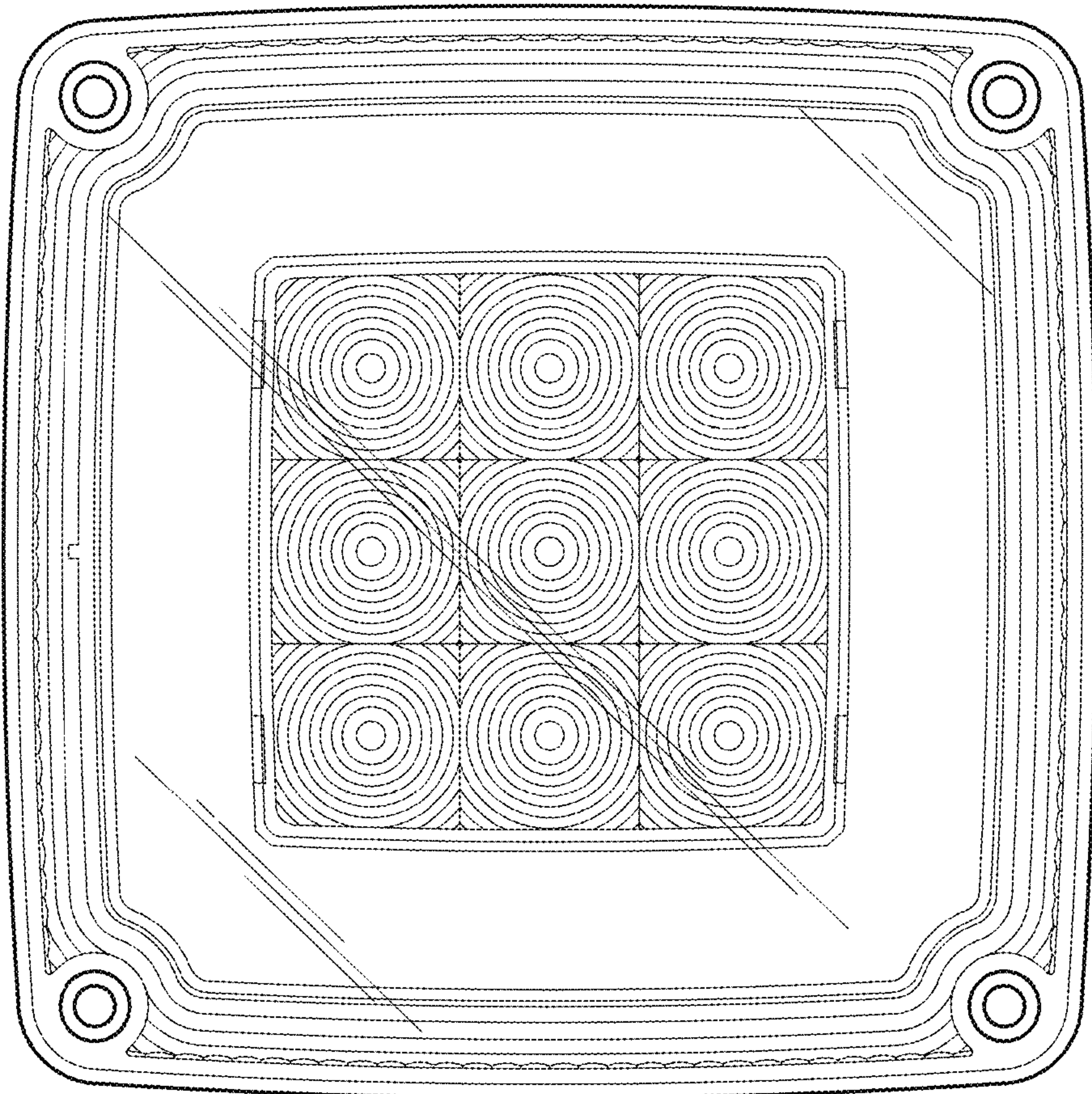


FIG.2

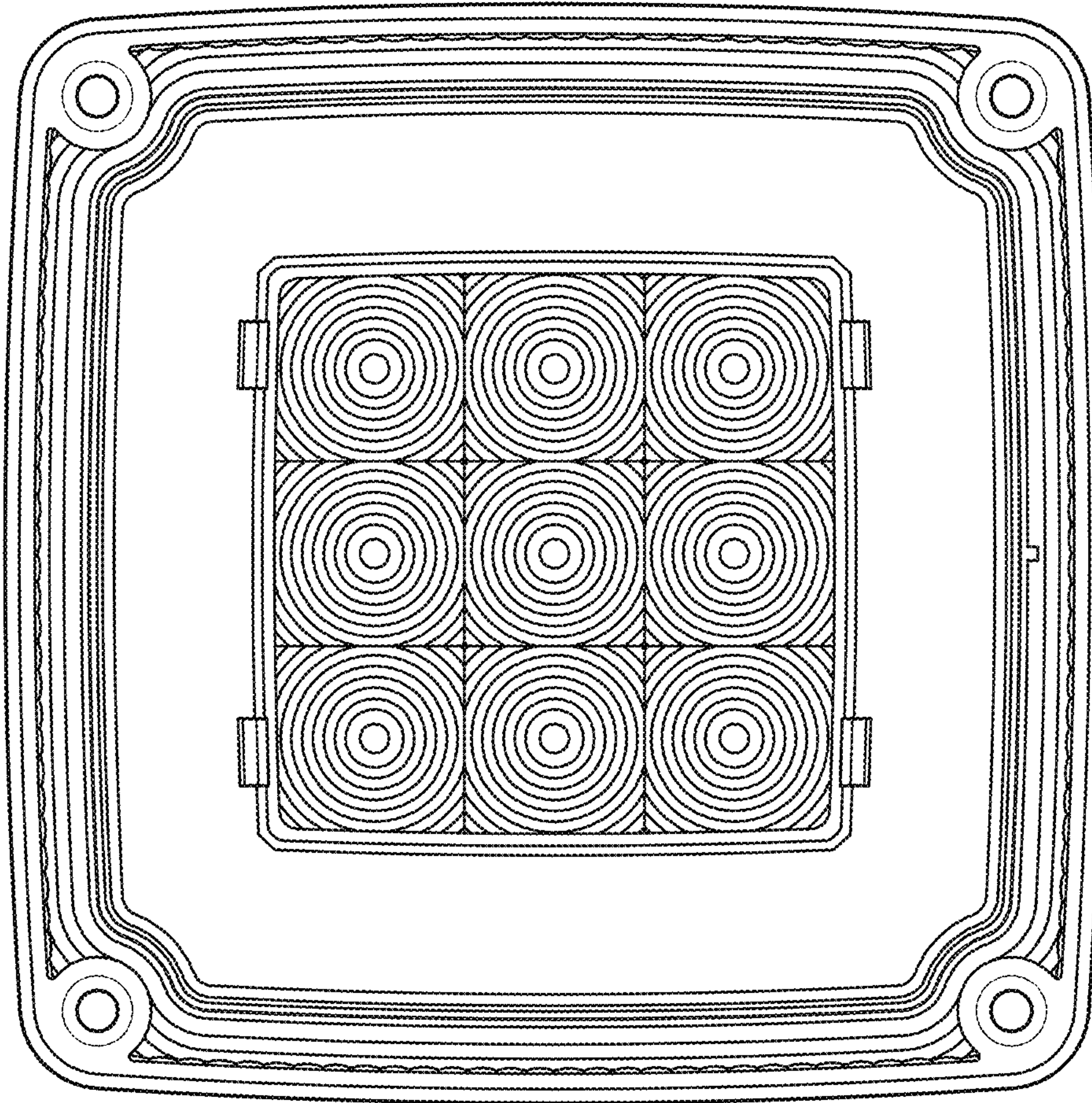


FIG.3

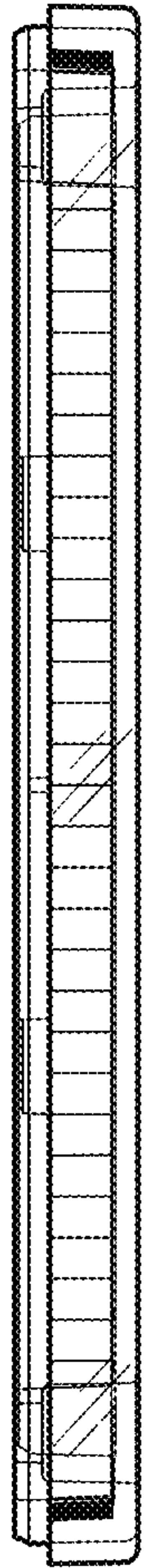


FIG. 4

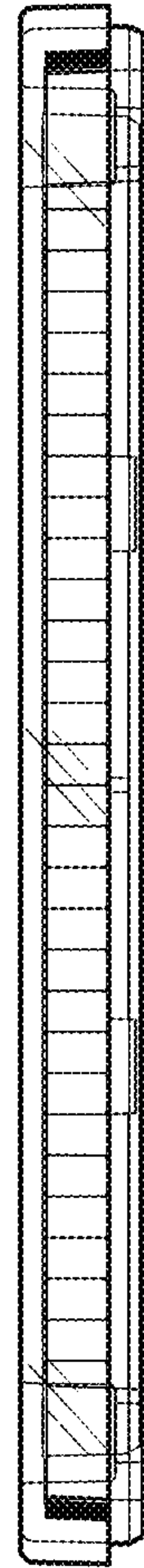


FIG. 5

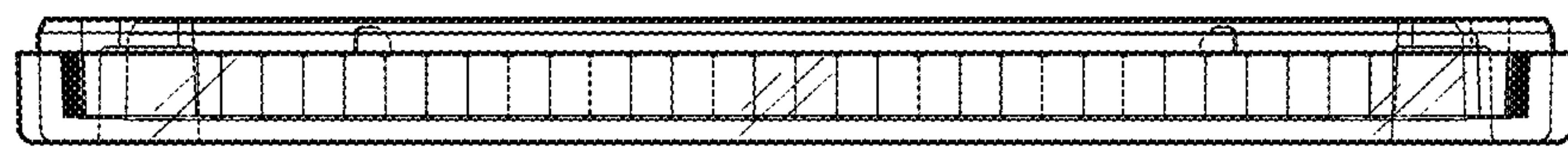


FIG. 6

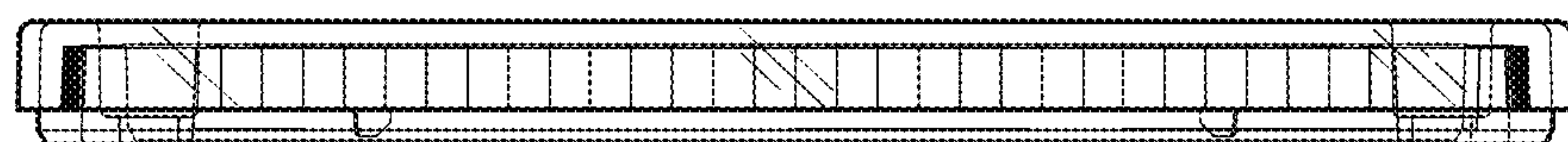


FIG. 7

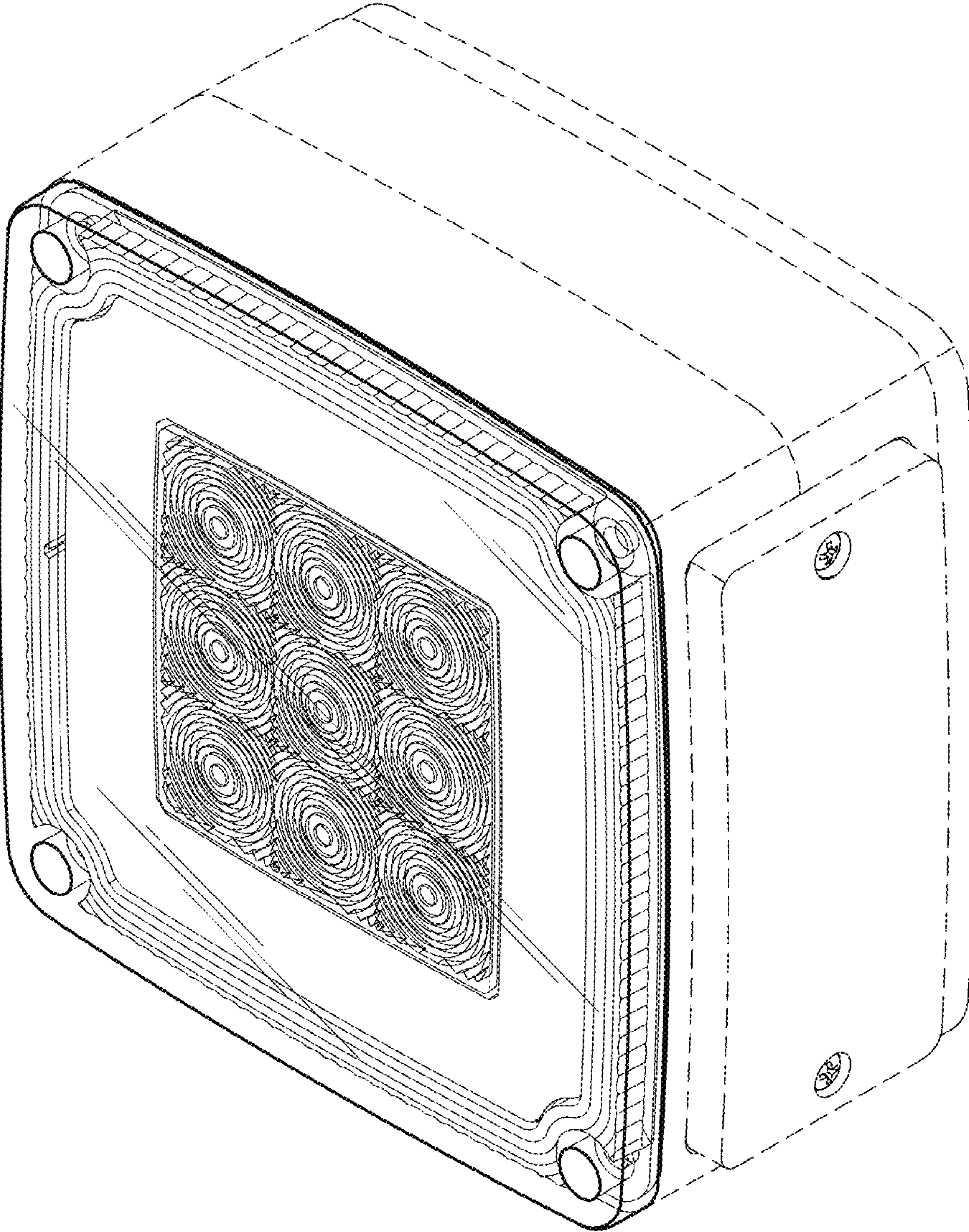


FIG.8