



US00D771284S

(12) **United States Design Patent**
Lockart et al.

(10) **Patent No.:** **US D771,284 S**
(45) **Date of Patent:** **** Nov. 8, 2016**

(54) **LIGHTING FIXTURE ASSEMBLY**

(71) Applicant: **KONINKLIJKE PHILIPS N.V.**,
Eindhoven (NL)
(72) Inventors: **Chad Lockart**, Burlington, MA (US);
Jonathan Levy, Burlington, MA (US);
Zachary Wessner, Burlington, MA
(US); **Michael Fiorino**, Burlington, MA
(US)
(73) Assignee: **KONINKLIJKE PHILIPS. N.V.**,
Eindhoven (NL)

(**) Term: **14 Years**

(21) Appl. No.: **29/492,784**

(22) Filed: **Jun. 3, 2014**

(51) **LOC (10) Cl.** **26-06**

(52) **U.S. Cl.**
USPC **D26/28; D26/63**

(58) **Field of Classification Search**
USPC D26/24-37, 51, 52, 55, 57, 59, 60, 63,
D26/72-74, 88-91, 93-105, 113, 118-128;
362/216, 217.01, 217.1, 218, 219, 220,
362/223, 317, 362, 364-366, 373, 376, 458,
362/459, 473-476, 486, 487, 496, 509, 512,
362/523, 546-548, 600, 611, 615, 632, 633
CPC B62J 6/02; B62J 6/00; F21S 48/335;
F21S 48/00
See application file for complete search history.

(56) **References Cited**

U.S. PATENT DOCUMENTS

3,032,645 A * 5/1962 Wilfert B60Q 1/0041
362/507
3,093,320 A * 6/1963 Knapp B60Q 1/2615
362/227

(Continued)

Primary Examiner — Cynthia Ramirez
Assistant Examiner — Llorelys Martinez-Rivera

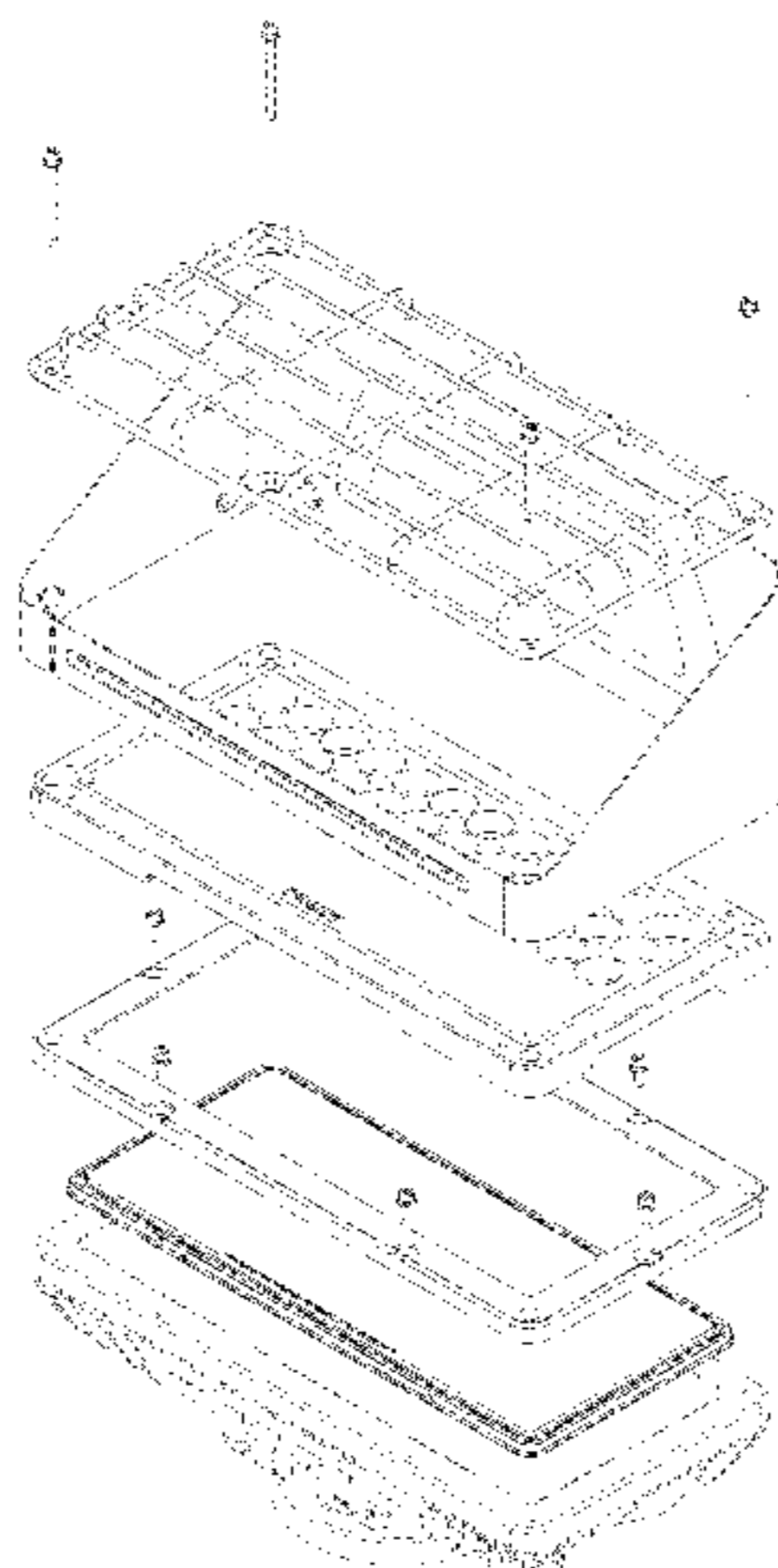
(57) **CLAIM**

The ornamental design for a lighting fixture assembly, as shown and described.

DESCRIPTION

FIG. 1 is an exploded view of a lighting fixture assembly showing our new design;
FIG. 2 is a perspective view thereof, showing the lighting fixture assembly in an assembled configuration;
FIG. 3 is a top perspective view of the guard element, shown separately for clarity;
FIG. 4 is a top plan view thereof;
FIG. 5 is a bottom plan view thereof;
FIG. 6 is a first side view elevation thereof;
FIG. 7 is a second side elevation view thereof;
FIG. 8 is a third side elevation view thereof;
FIG. 9 is a bottom perspective view thereof;
FIG. 10 is a perspective view of the half glare shield element, shown separately for clarity;
FIG. 11 is a first side elevation view thereof;
FIG. 12 is a second side elevation view thereof;
FIG. 13 is a third side elevation view thereof;
FIG. 14 is a fourth side elevation view thereof;
FIG. 15 is a bottom plan view thereof;
FIG. 16 is a perspective view of the louver element, shown separately for clarity;
FIG. 17 is another perspective view thereof;
FIG. 18 is a top plan view thereof;
FIG. 19 is a bottom plan view thereof;
FIG. 20 is a first side elevation view thereof;
FIG. 21 is a second side elevation view thereof;
FIG. 22 is a third side elevation view thereof;
FIG. 23 is a bottom perspective view thereof;
FIG. 24 is a perspective view of a the spread lens element, shown separately for clarity;
FIG. 25 is a top plan view thereof;
FIG. 26 is a first side elevation view thereof;
FIG. 27 is a second side elevation view thereof;
FIG. 28 is a third side elevation view thereof;
FIG. 29 is a bottom plan view thereof; and,
FIG. 30 is a bottom perspective view thereof.
The broken lines shown in FIGS. 1 and 2 illustrate portions of the lighting fixture assembly that form no part of the claimed design.

1 Claim, 20 Drawing Sheets



(56)

References Cited

U.S. PATENT DOCUMENTS

D287,289 S *	12/1986	Kato	D26/28	D578,685 S *	10/2008	Manus	D26/28
D293,937 S *	1/1988	Soma	D26/28	D581,081 S *	11/2008	Mier-Langner	D26/72
D293,938 S *	1/1988	Soma	D26/28	D593,231 S *	5/2009	Koman	D26/28
D475,474 S *	6/2003	Hsieh	D26/28	D624,218 S *	9/2010	Nakai	D26/28
D486,596 S *	2/2004	Chen	D26/28	D633,644 S *	3/2011	Sprengers	D26/89
D490,170 S *	5/2004	Metros	D26/28	D634,053 S *	3/2011	Guercio	D26/89
D525,727 S *	7/2006	Fujimoto	D26/28	D667,973 S *	9/2012	Schneider	D26/28
D525,731 S *	7/2006	Hovind	D26/28	D678,566 S *	3/2013	Janssen	D26/28
D527,122 S *	8/2006	Chuang	D26/28	D692,167 S *	10/2013	Yamazaki	D26/28
D532,535 S *	11/2006	Lin	D26/28	D692,168 S *	10/2013	Harrington, Jr.	D26/28
D534,285 S *	12/2006	Williams	D26/28	D699,375 S *	2/2014	Ueda	D26/28
D547,473 S *	7/2007	Yeoman	D26/28	D701,334 S *	3/2014	Christ	D26/28
D549,364 S *	8/2007	Hovind	D26/28	D706,467 S *	6/2014	Robinson	D26/28
D549,366 S *	8/2007	Hovind	D26/28	D711,566 S *	8/2014	Wu	D26/28
D565,764 S *	4/2008	Zimmermann	D26/28	D716,476 S *	10/2014	Asano	D26/28
					D731,097 S *	6/2015	Dai	D26/26
					D736,430 S *	8/2015	Ko	D26/28
					D745,722 S *	12/2015	Smith	D26/28

* cited by examiner

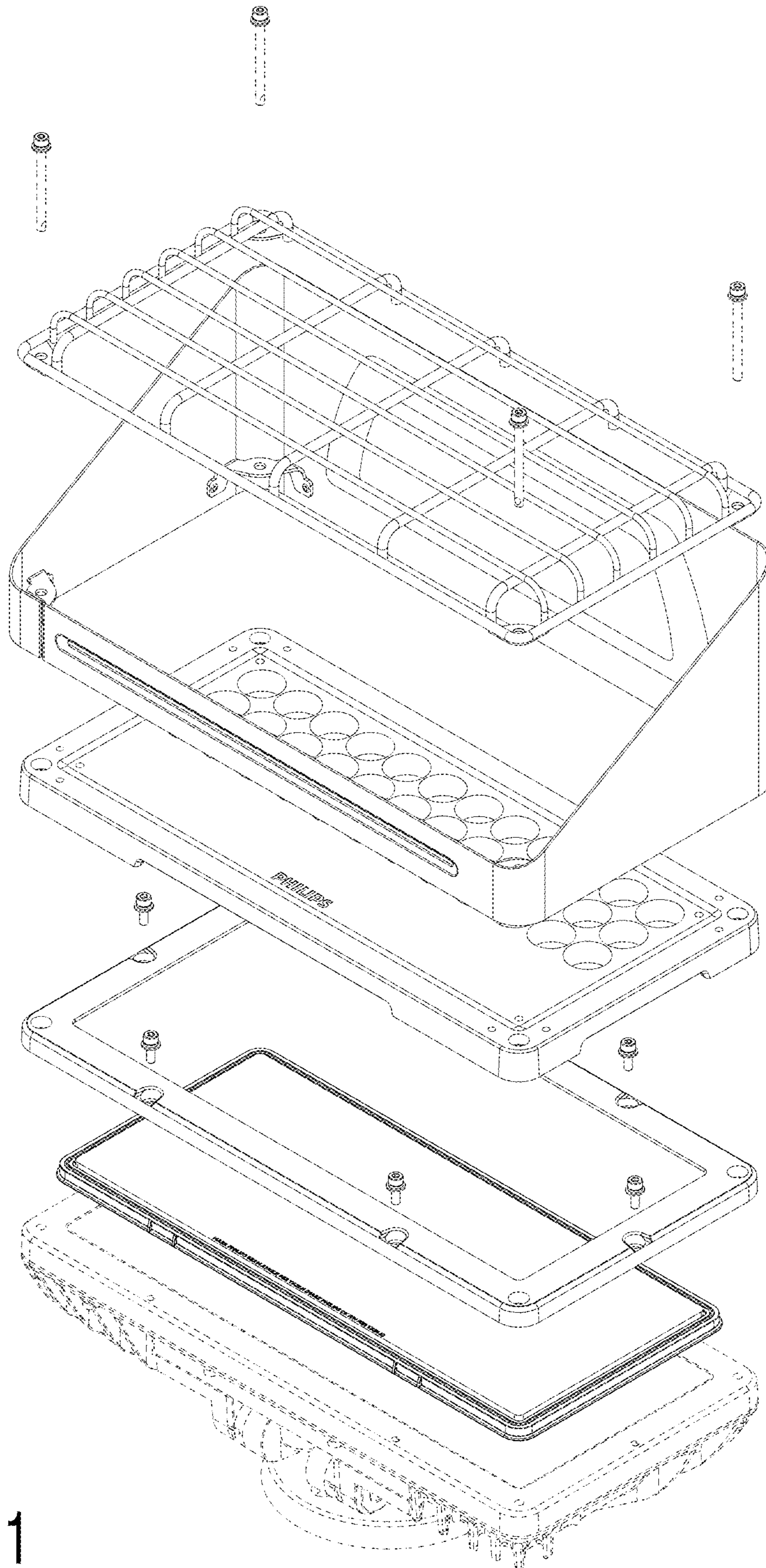


FIG. 1

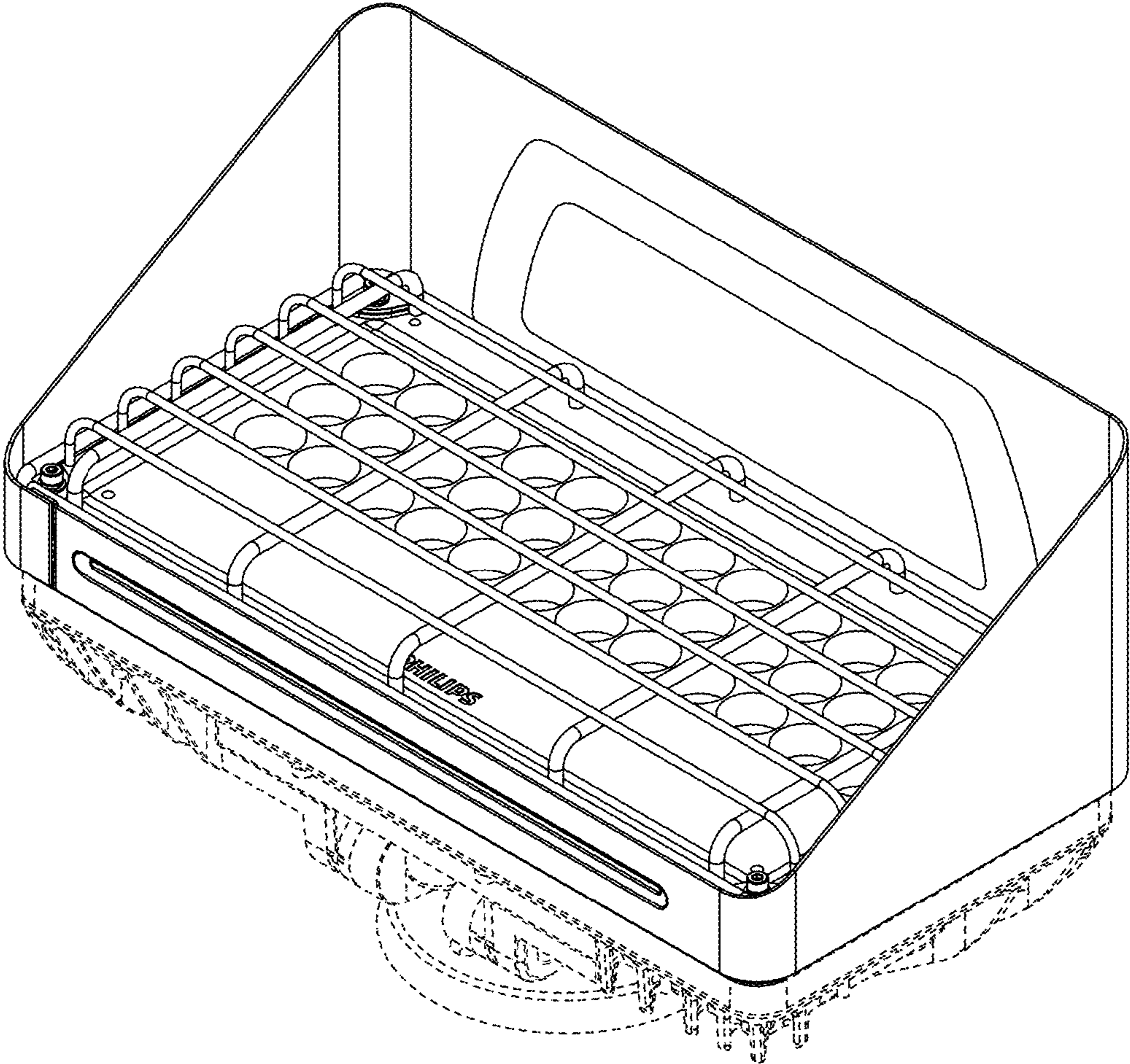


FIG. 2

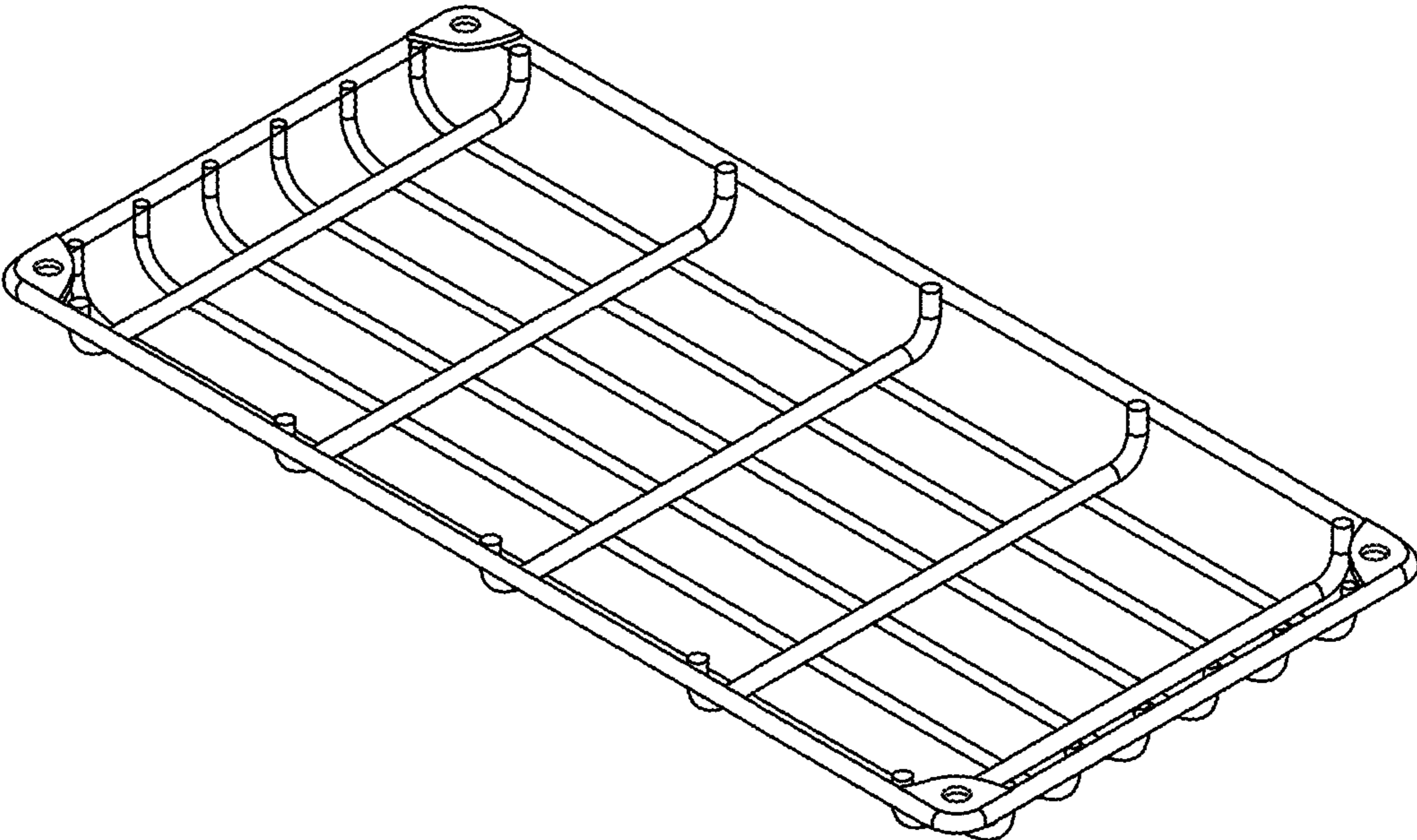


FIG. 3

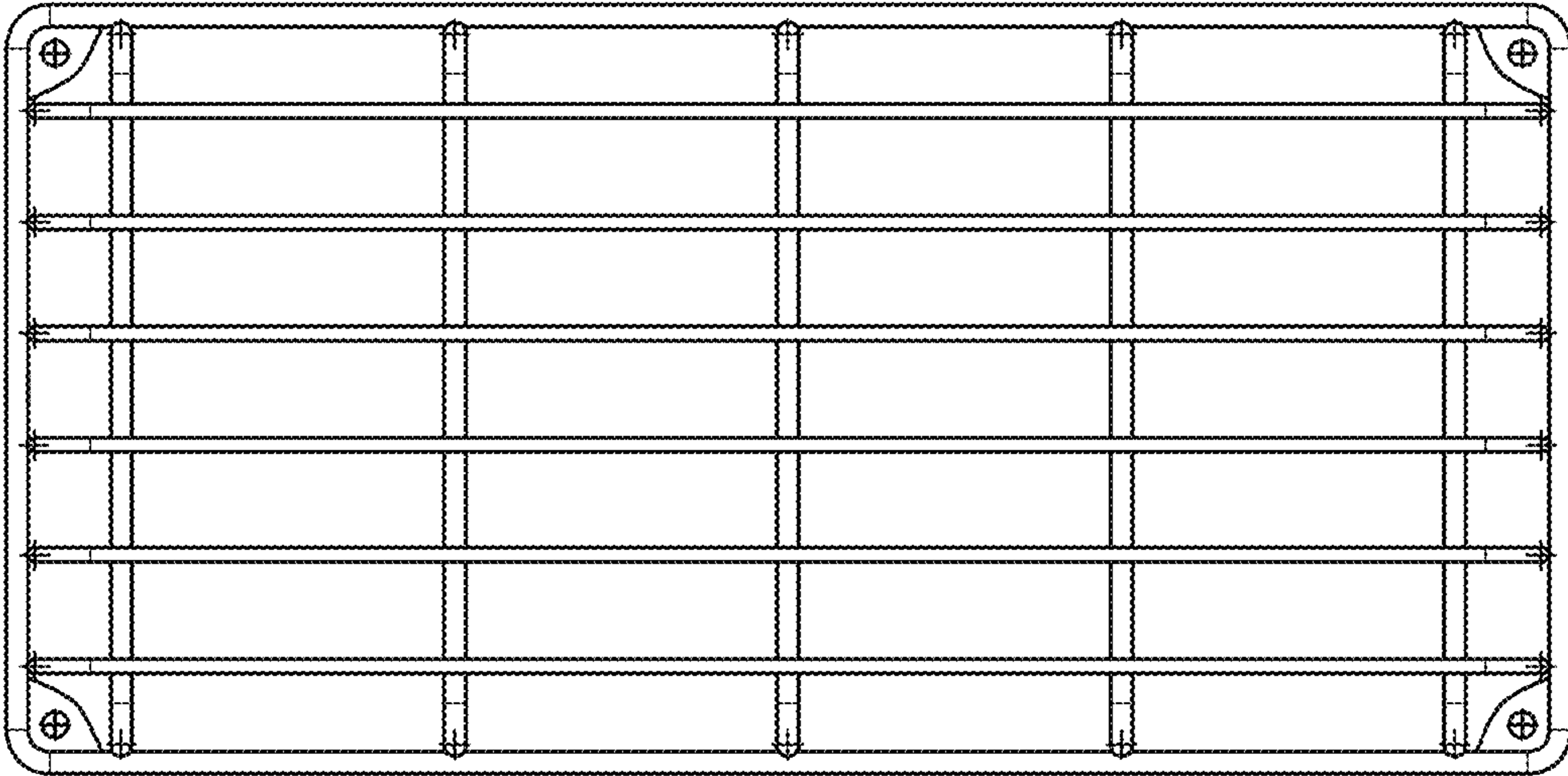


FIG. 4

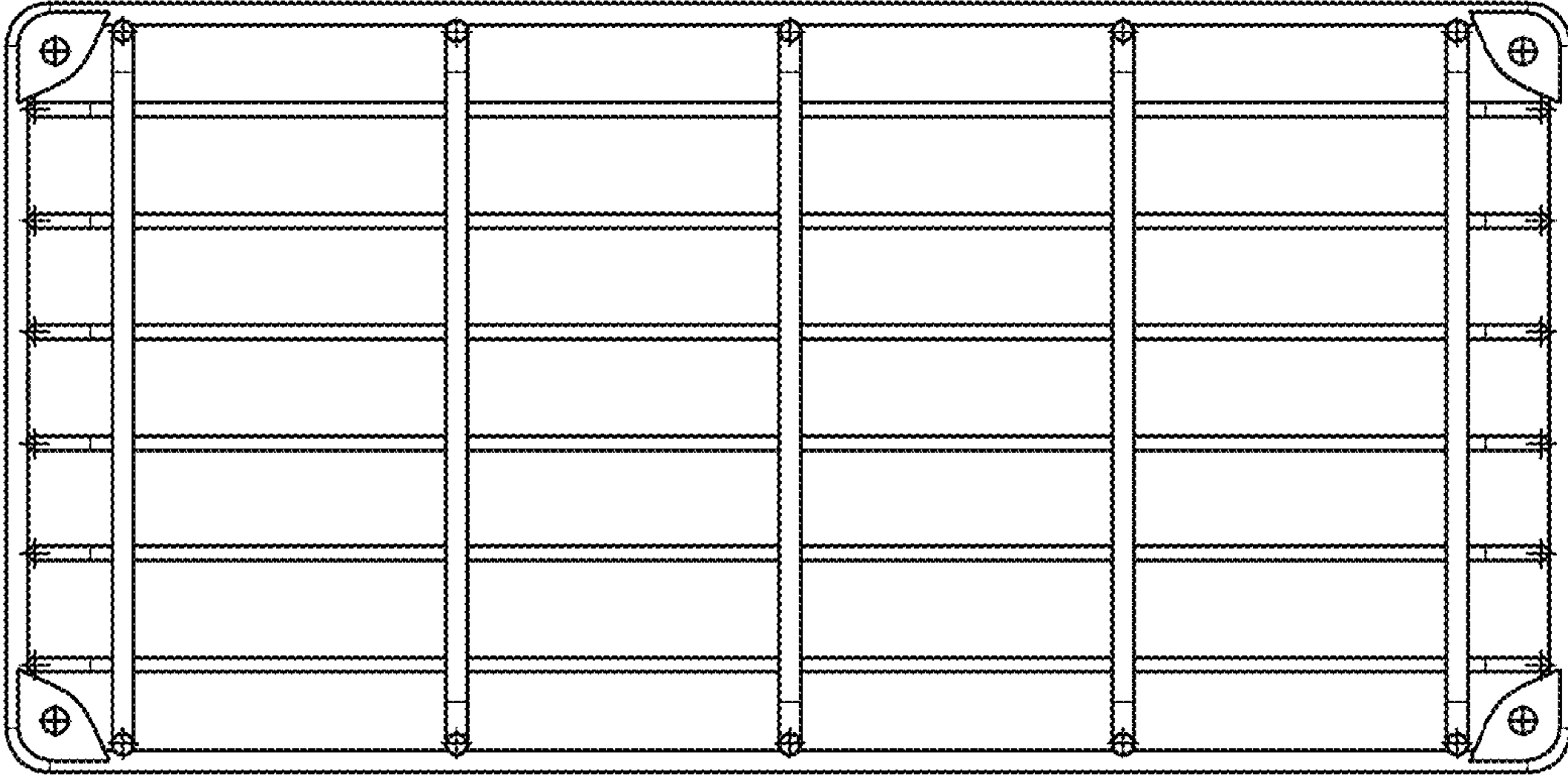


FIG. 5

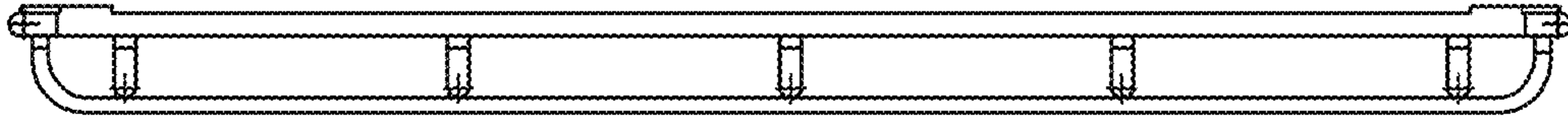


FIG. 6

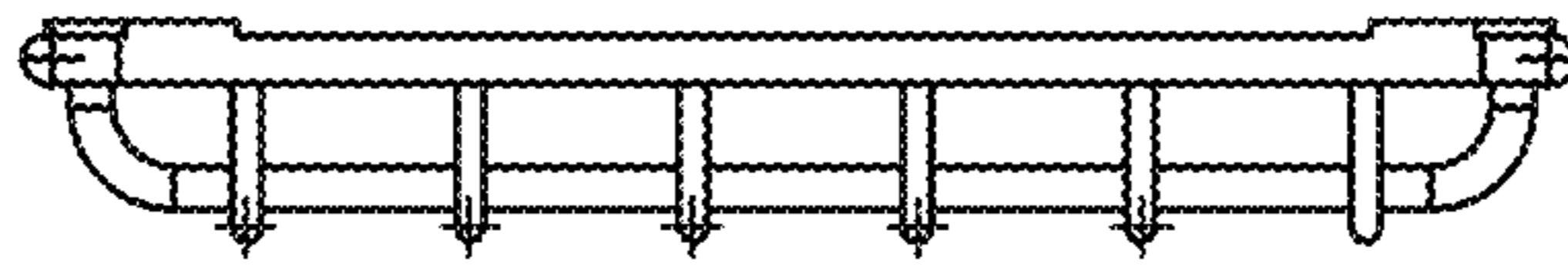


FIG. 7

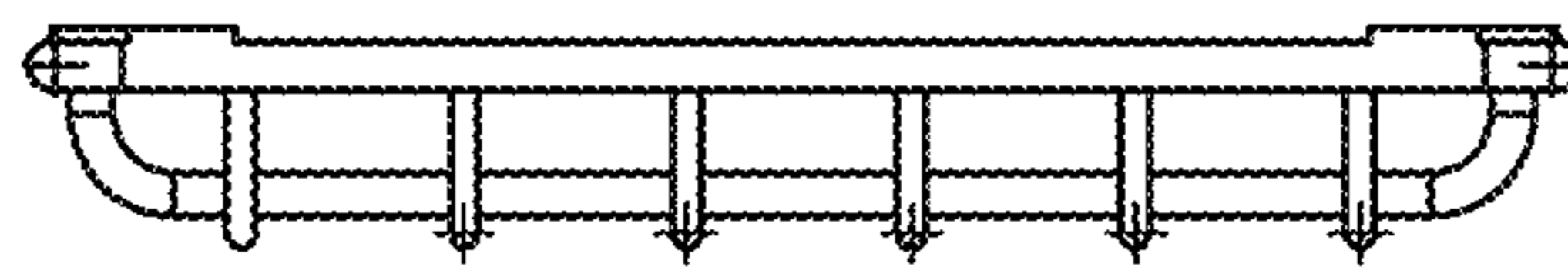


FIG. 8

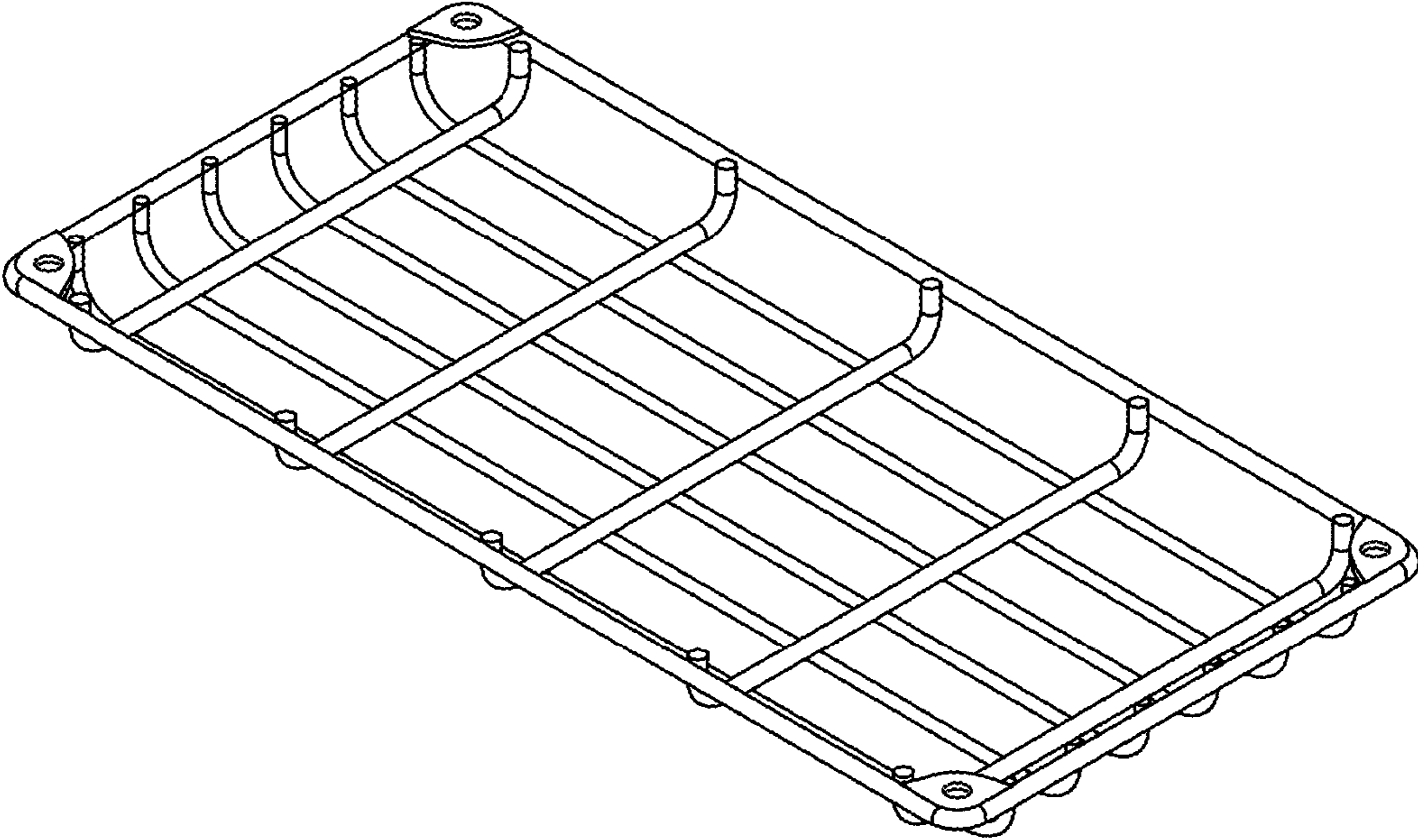


FIG. 9

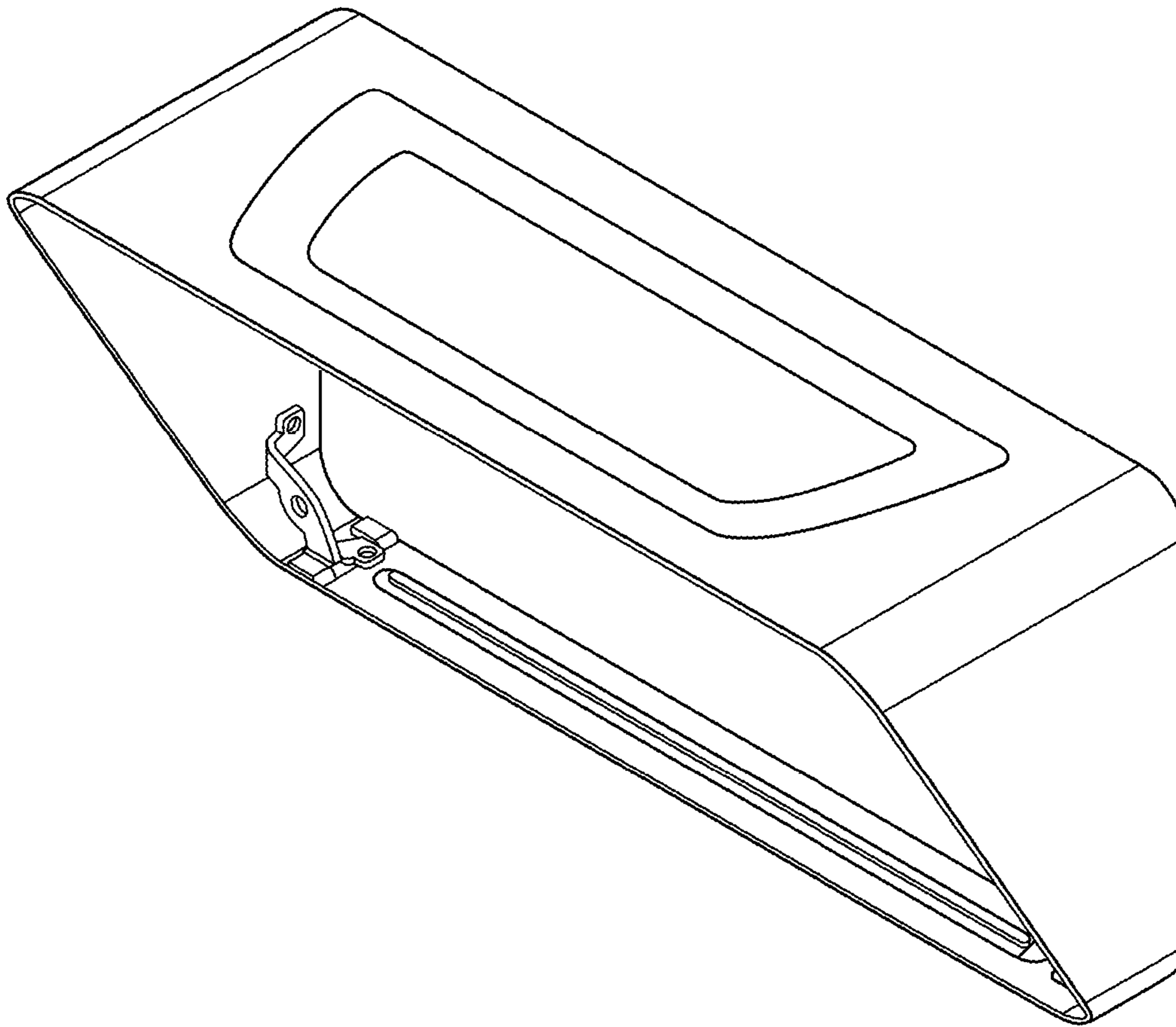


FIG. 10

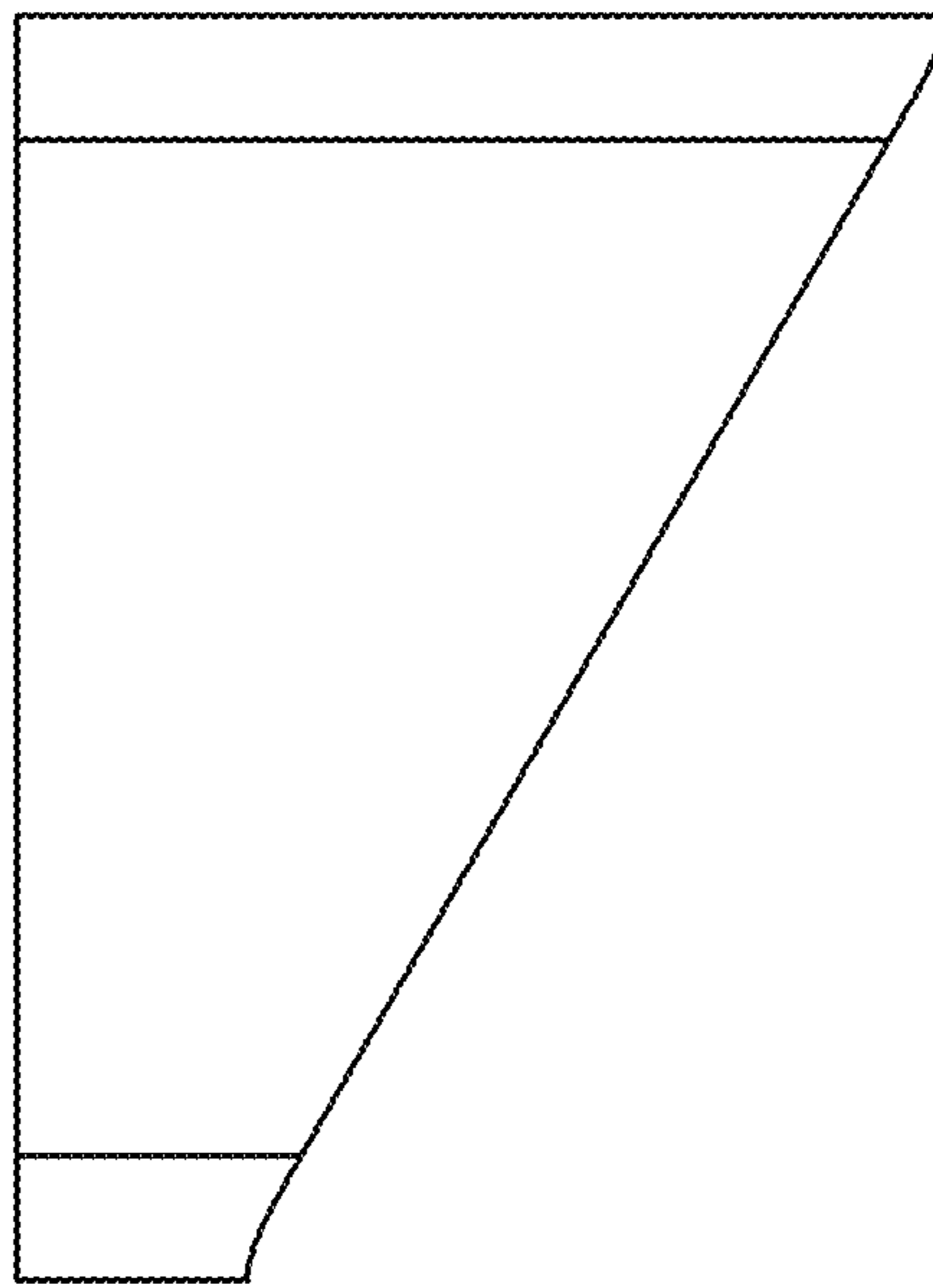


FIG. 11

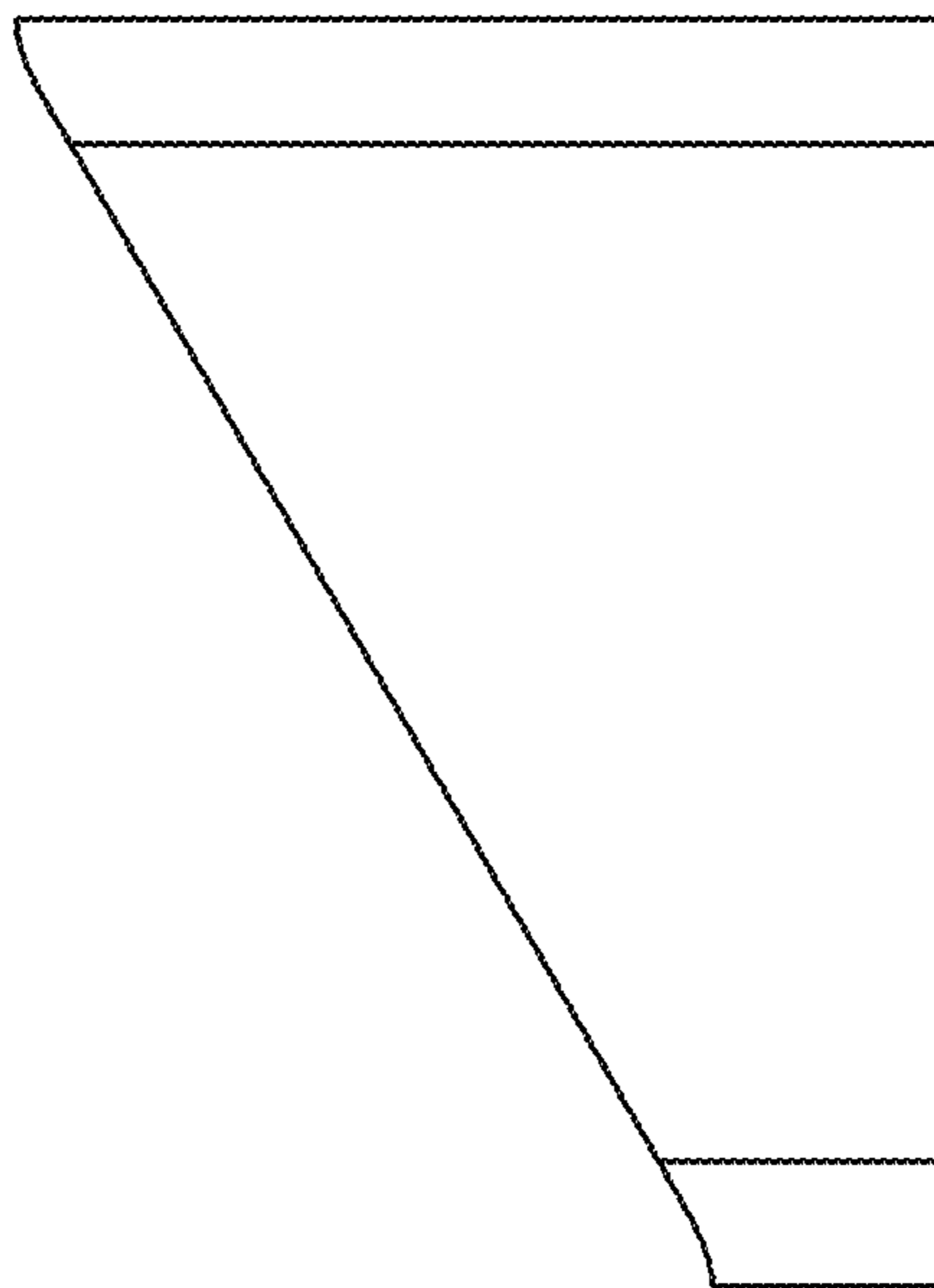


FIG. 12

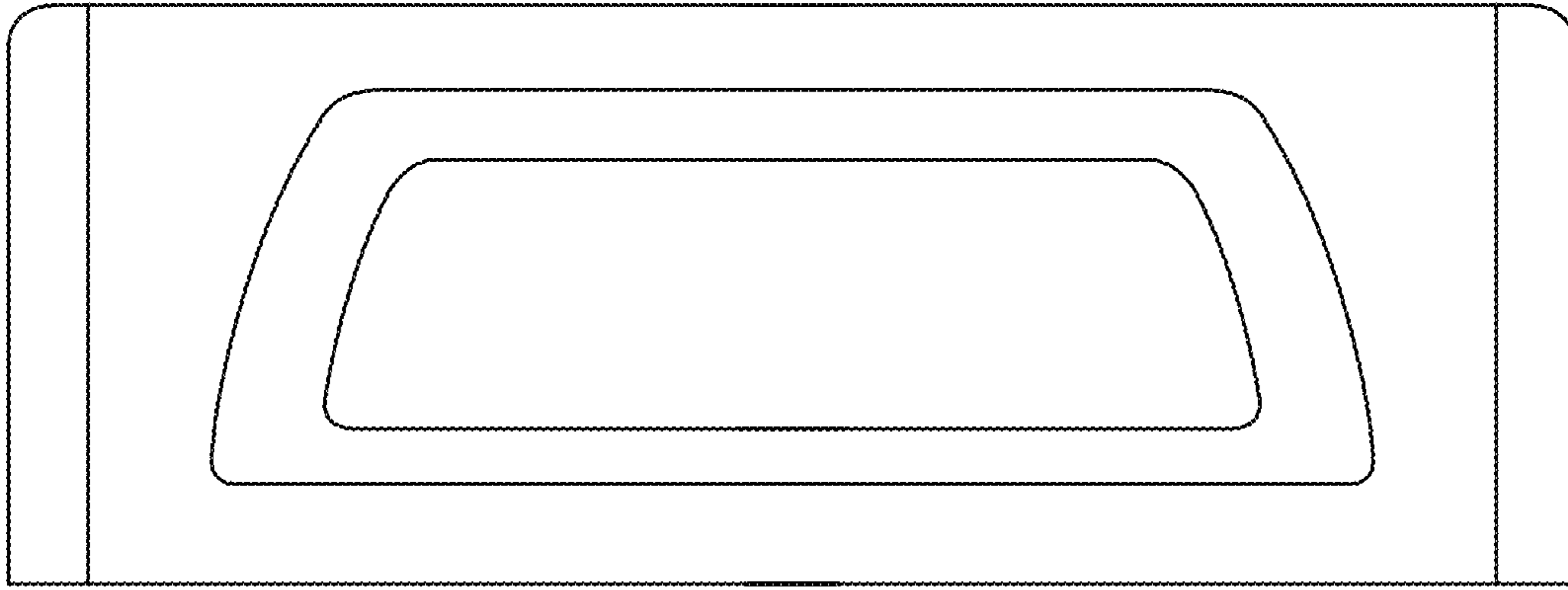


FIG. 13

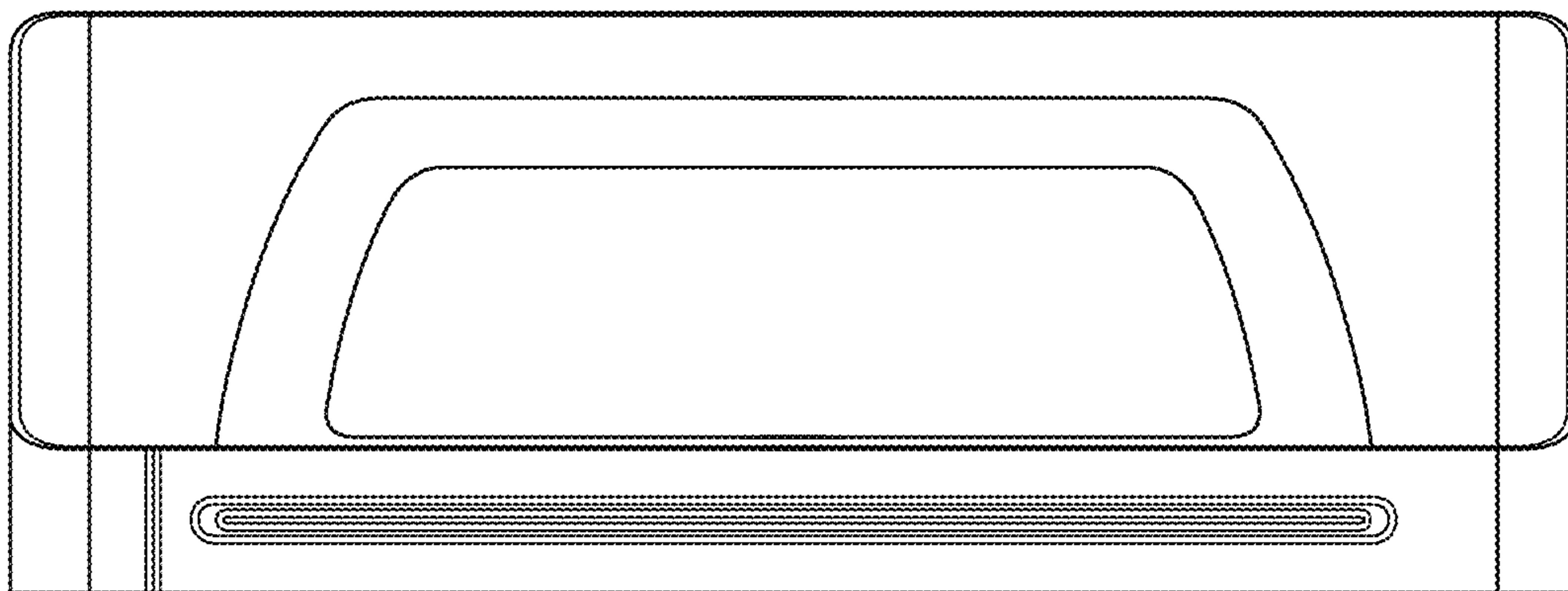


FIG. 14

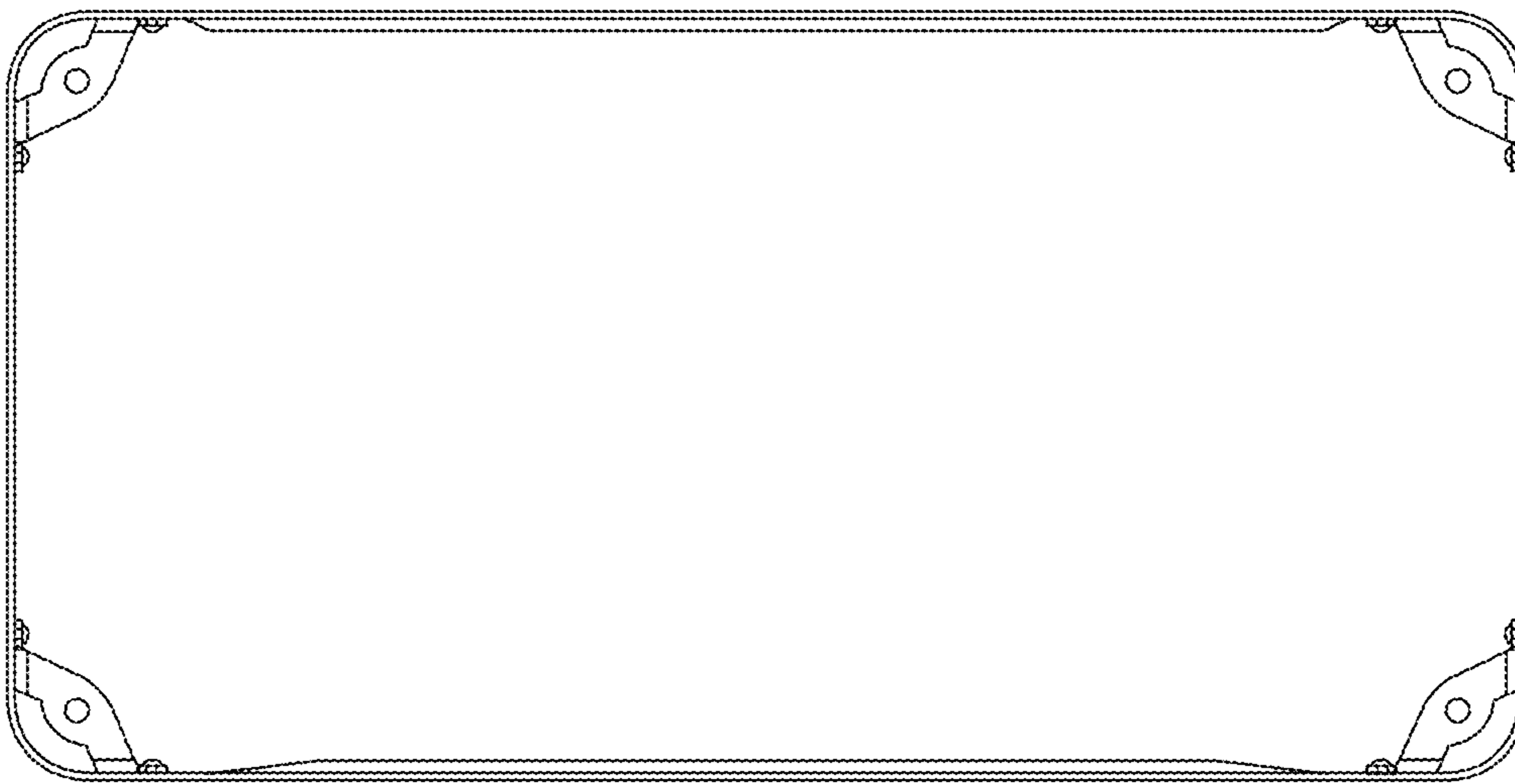


FIG. 15

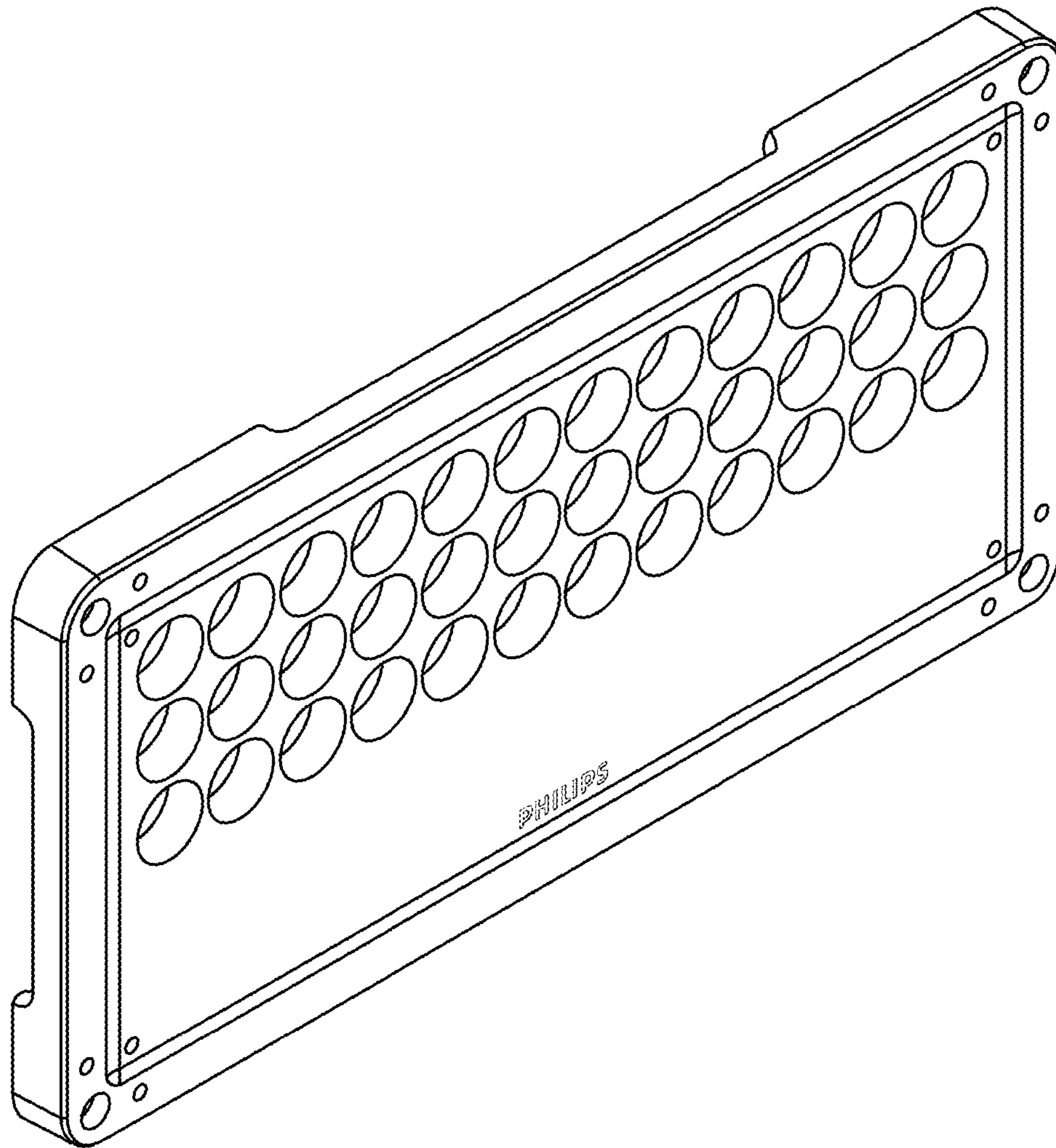


FIG. 16

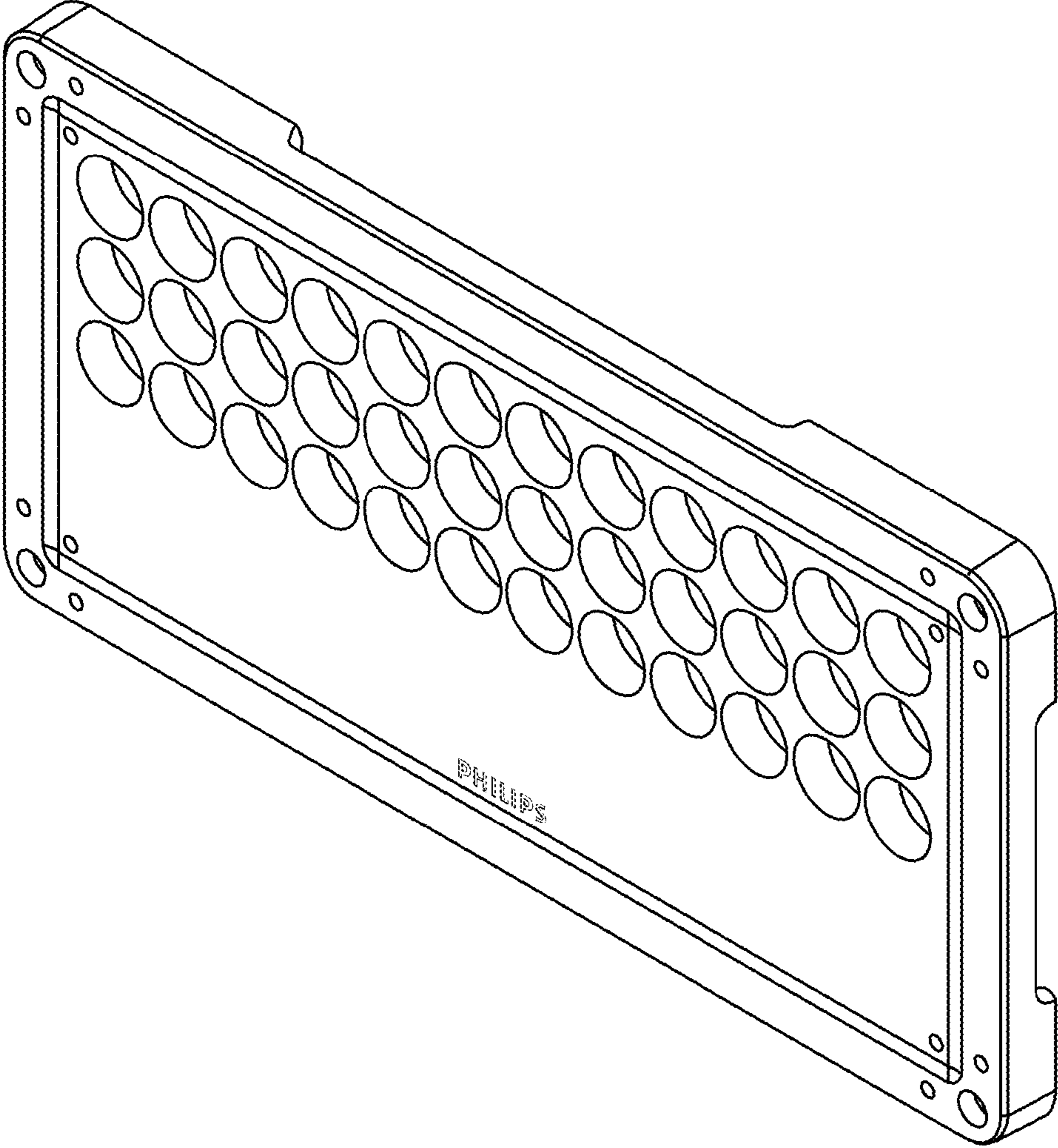


FIG. 17

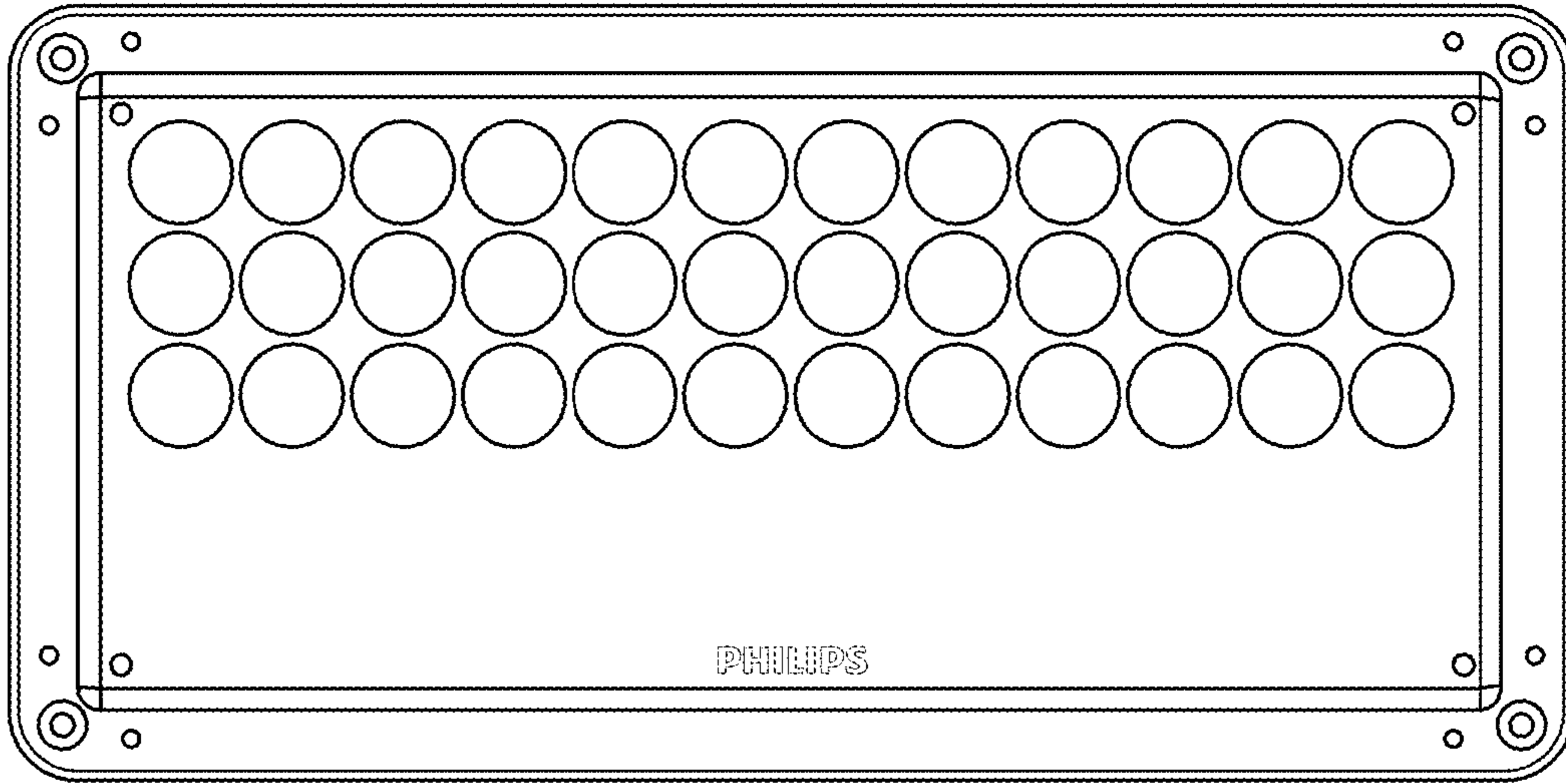


FIG. 18

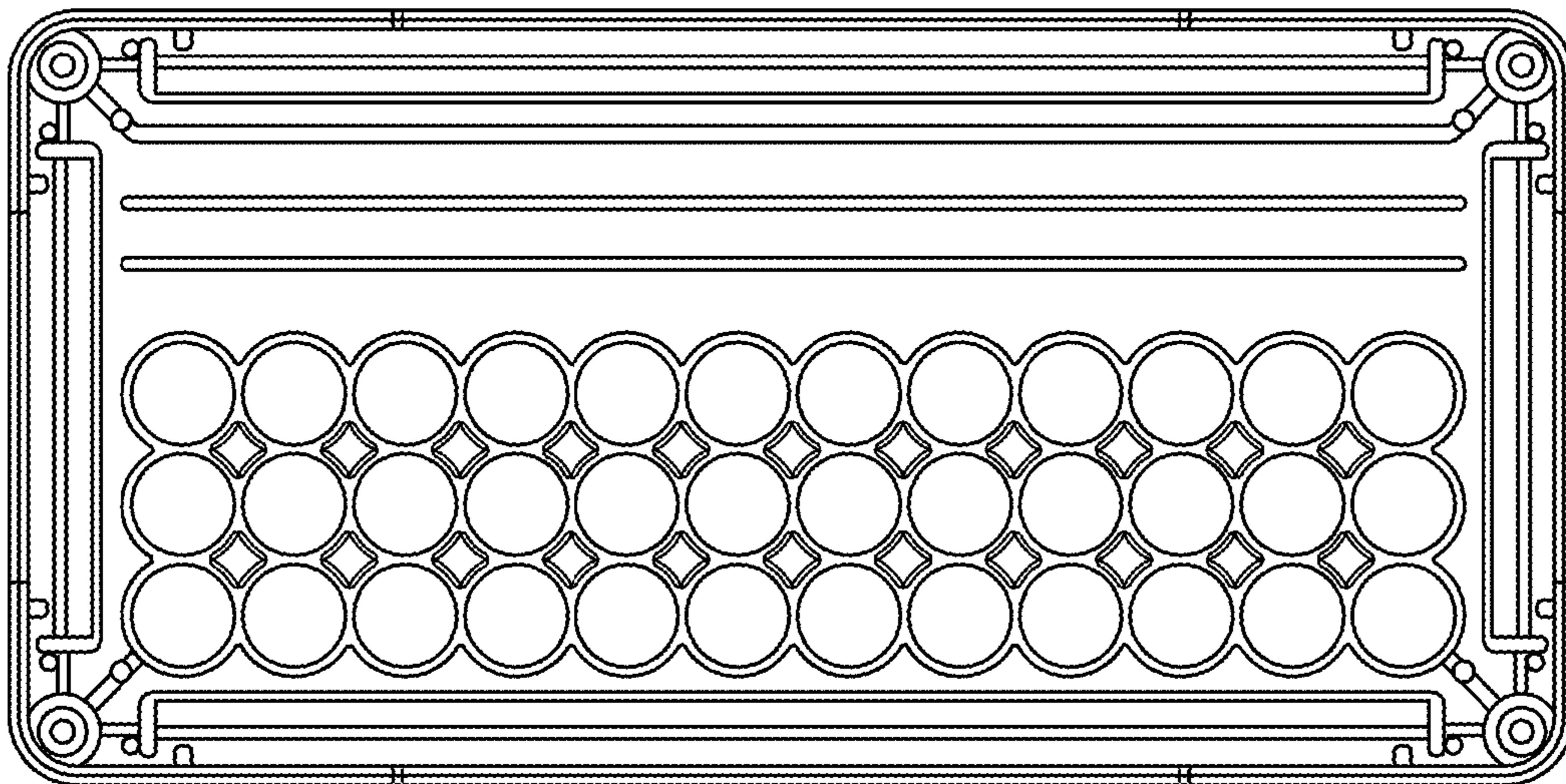


FIG. 19



FIG. 20



FIG. 21



FIG. 22

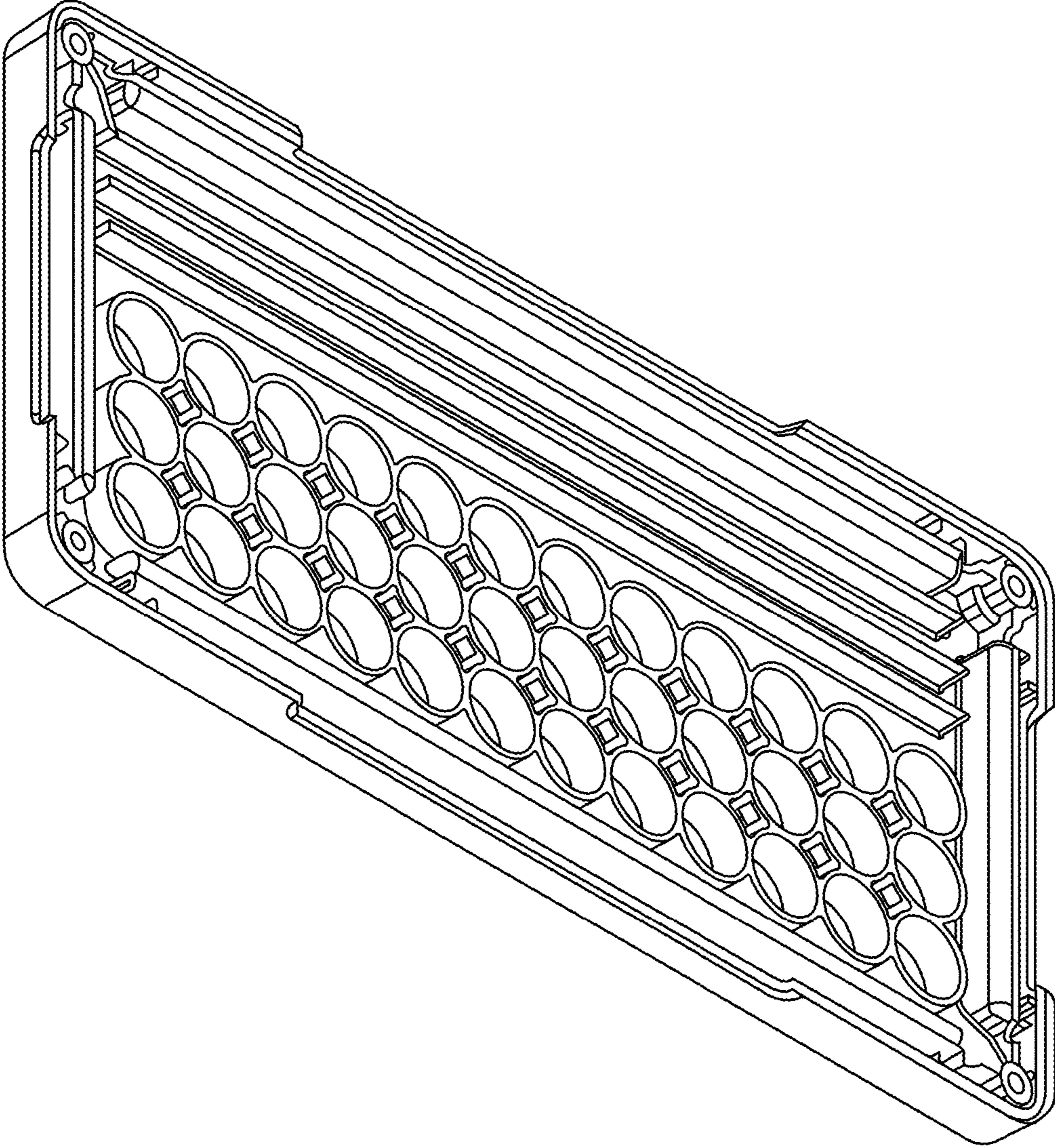


FIG. 23

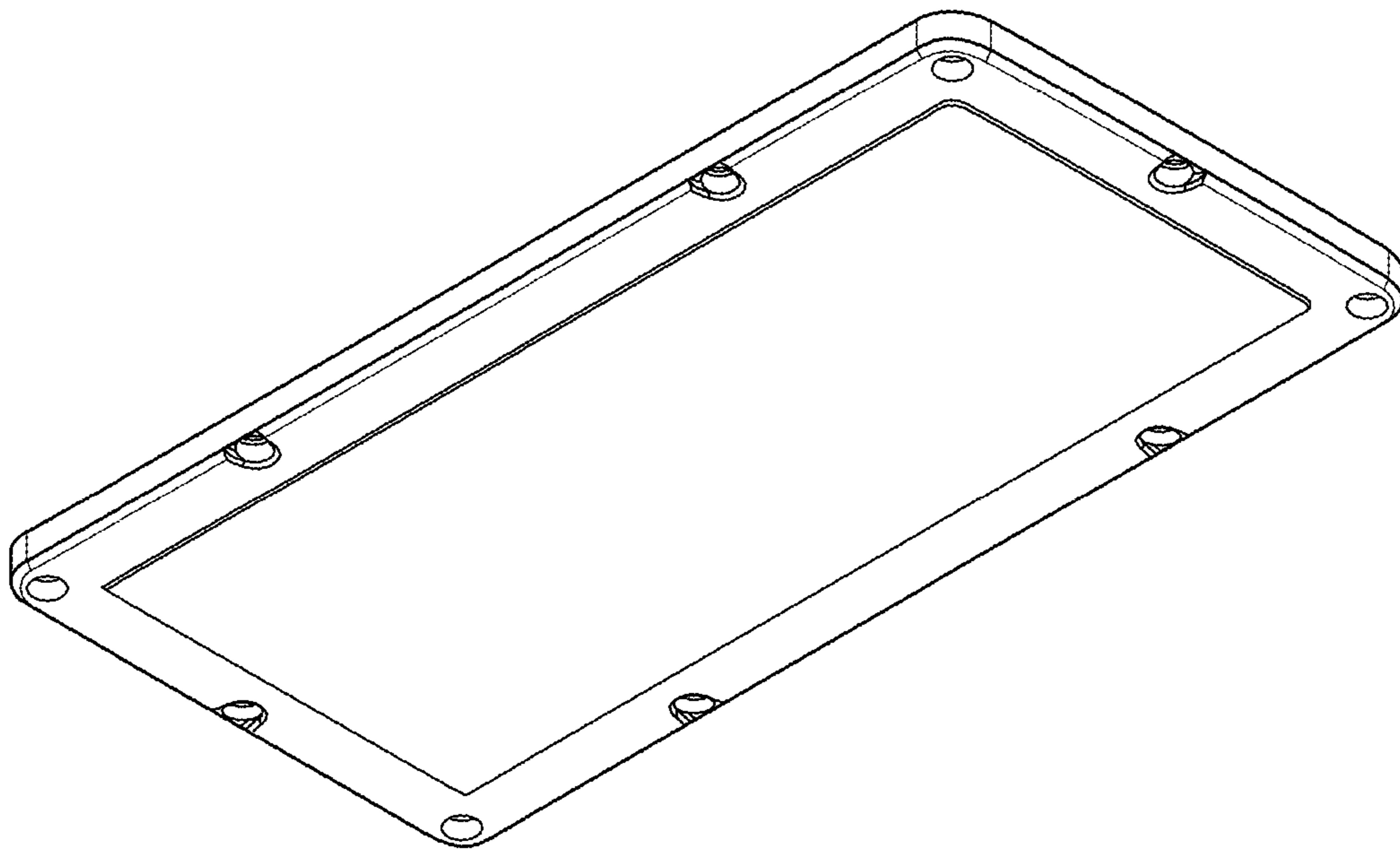


FIG. 24

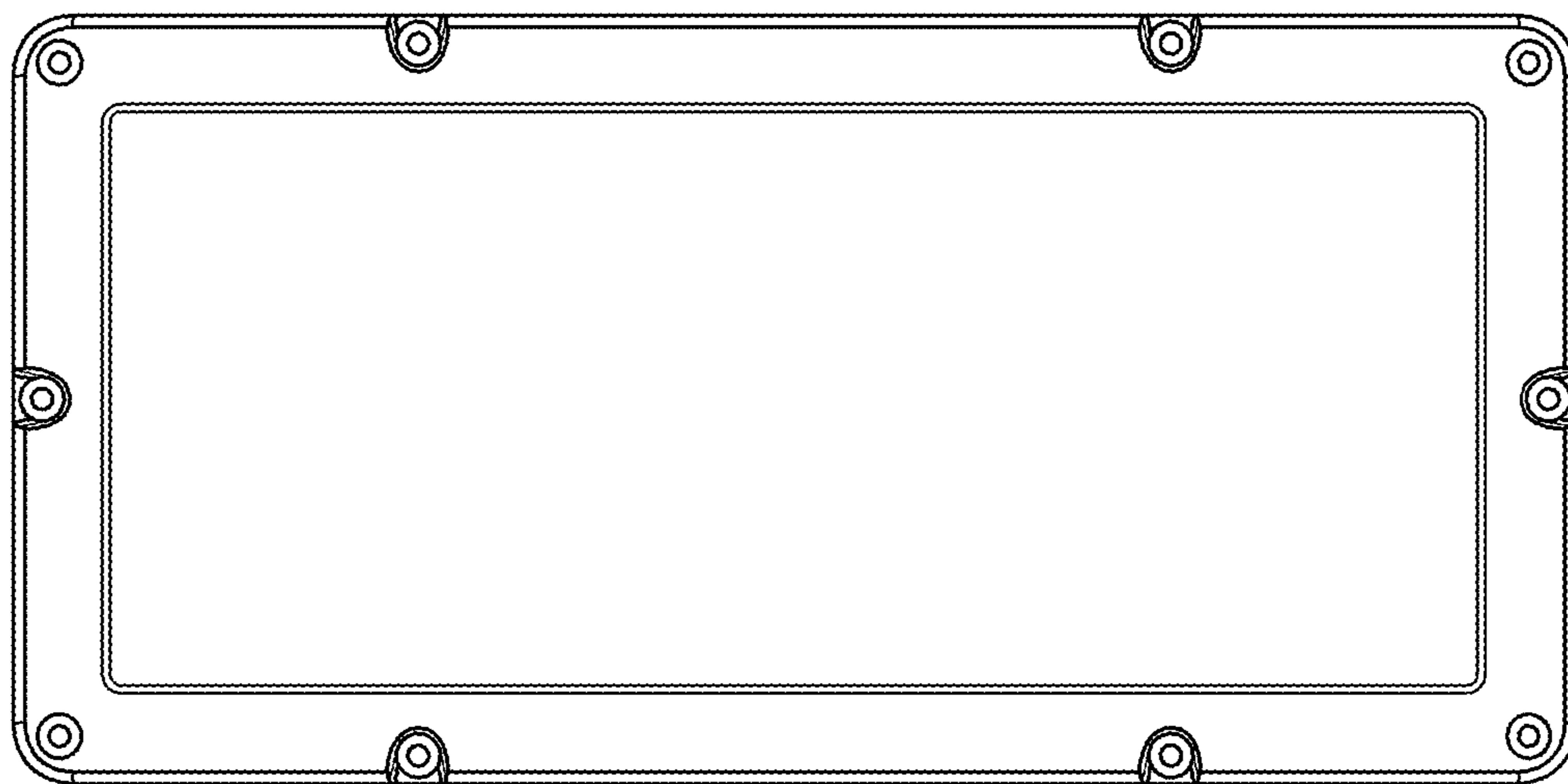


FIG. 25

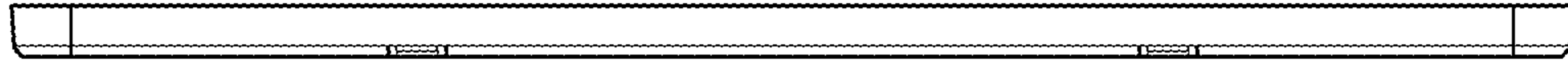


FIG. 26



FIG. 27



FIG. 28

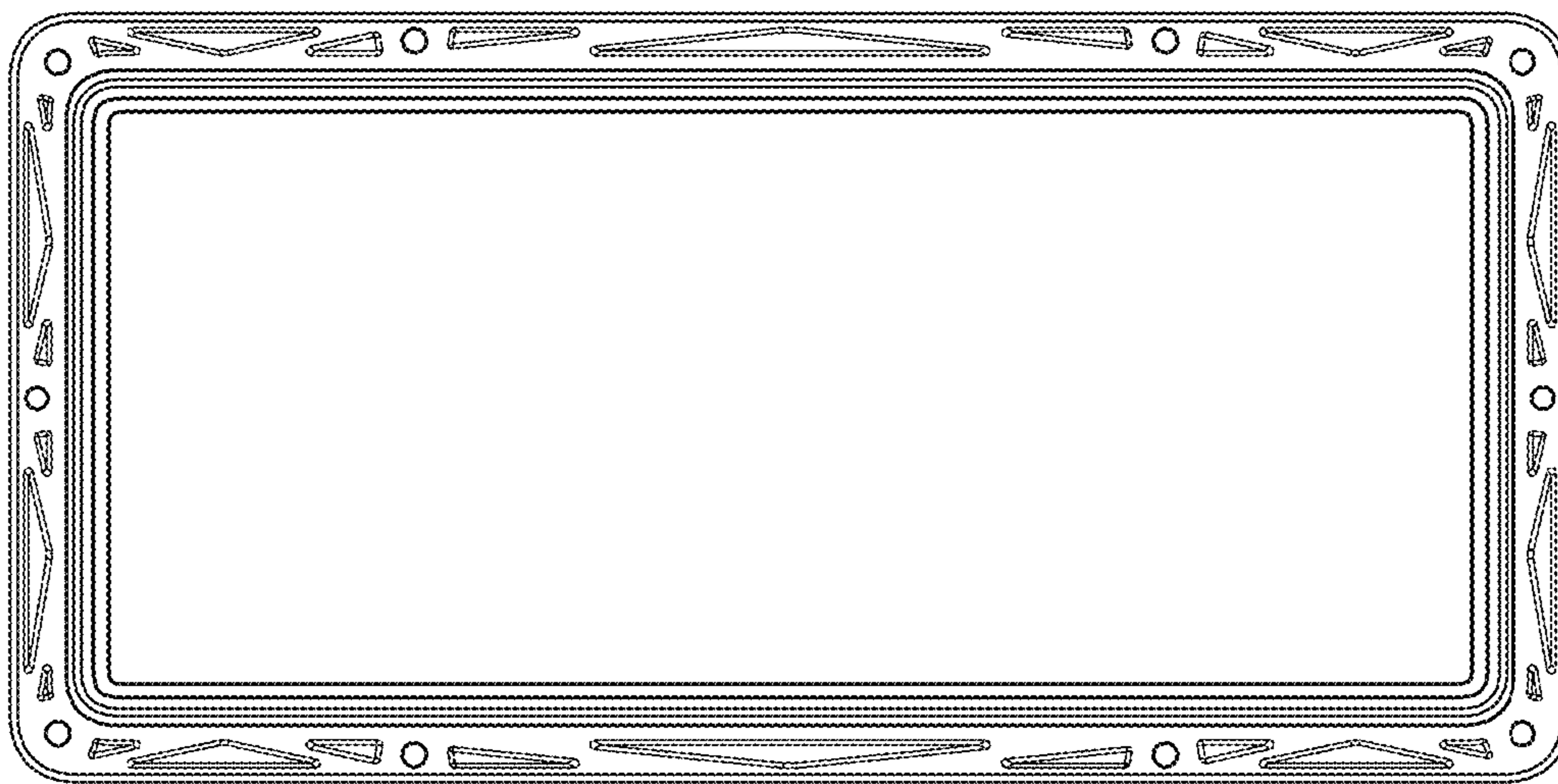


FIG. 29

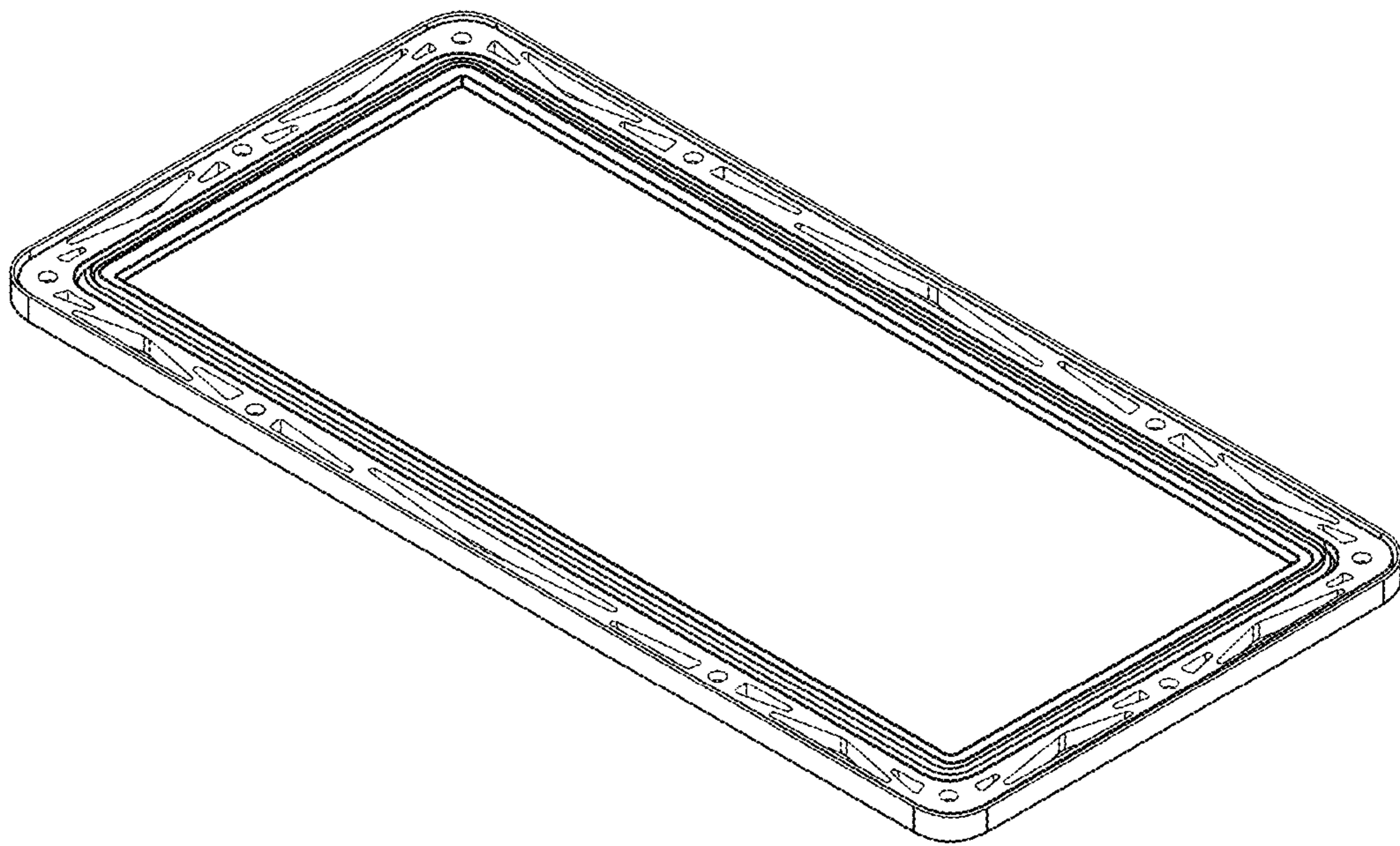


FIG. 30