



US00D771282S

(12) **United States Design Patent**  
**Takehara et al.**

(10) **Patent No.:** **US D771,282 S**

(45) **Date of Patent:** **\*\* Nov. 8, 2016**

(54) **LIGHT SOURCE**

CPC ..... H01J 5/00; H01J 5/16; H01J 5/48;  
H01J 5/50; H01J 19/54; F21V 5/00; H01R  
5/00; H01R 13/46; H01R 31/048; H01R  
31/02

(71) Applicants: **CITIZEN ELECTRONICS CO., LTD.**, Yamanashi-ken (JP); **CITIZEN HOLDINGS CO., LTD.**, Tokyo (JP)

See application file for complete search history.

(72) Inventors: **Maki Takehara**, Yamanashi-ken (JP); **Tatsuya Katoh**, Kanagawa-Ken (JP)

(56) **References Cited**

(73) Assignees: **CITIZEN ELECTRONICS CO., LTD.**, Yamanashi-ken (JP); **CITIZEN HOLDINGS CO., LTD.**, Tokyo (JP)

U.S. PATENT DOCUMENTS

(\*\*) Term: **15 Years**

D528,996 S *	9/2006	Egawa	.....	D13/180
D573,553 S *	7/2008	Uemoto	.....	D13/180
D577,690 S *	9/2008	Shida	.....	D13/180
D598,401 S	8/2009	Takada et al.		
D622,876 S *	8/2010	Takahashi	.....	D26/1

(21) Appl. No.: **29/538,257**

\* cited by examiner

(22) Filed: **Sep. 2, 2015**

*Primary Examiner* — Marcus Jackson

**Related U.S. Application Data**

(62) Division of application No. 29/461,604, filed on Jul. 25, 2013, now Pat. No. Des. 742,553.

(74) *Attorney, Agent, or Firm* — Browdy and Neimark, PLLC

**Foreign Application Priority Data**

Jan. 27, 2013	(JP)	.....	2013-001432
Jan. 27, 2013	(JP)	.....	2013-001433
Jan. 27, 2013	(JP)	.....	2013-001434
Jan. 27, 2013	(JP)	.....	2013-001435
Jan. 27, 2013	(JP)	.....	2013-001436

(57) **CLAIM**

The ornamental design for light source, as shown and described.

(51) **LOC (10) Cl.** ..... **26-04**

(52) **U.S. Cl.**  
USPC ..... **D26/1; D13/180**

**DESCRIPTION**

(58) **Field of Classification Search**  
USPC ..... D26/1-4; D13/180; 313/313, 315, 316, 313/317, 318, 493; 315/52, 53, 56, 57, 58

FIG. 1 is a top perspective view of a light source showing the claimed design;  
FIG. 2 is a bottom perspective view thereof;  
FIG. 3 is a front view thereof;  
FIG. 4 is a rear view thereof;  
FIG. 5 is a top plan view thereof;  
FIG. 6 is a bottom plan view thereof; and,  
FIG. 7 is a left side view thereof, a right side view opposite the left side view being identical to FIG. 7.

**1 Claim, 6 Drawing Sheets**

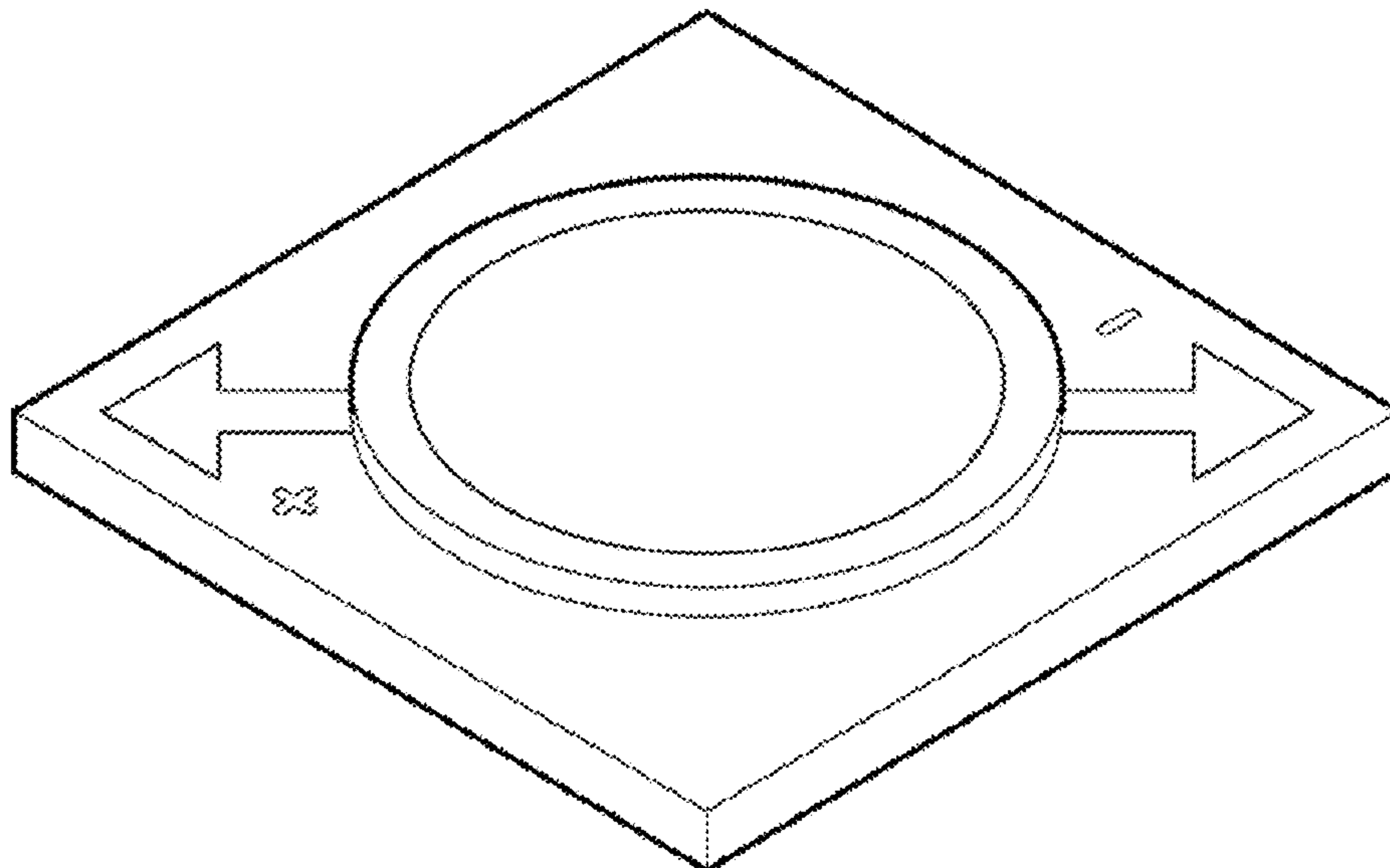


Fig. 1

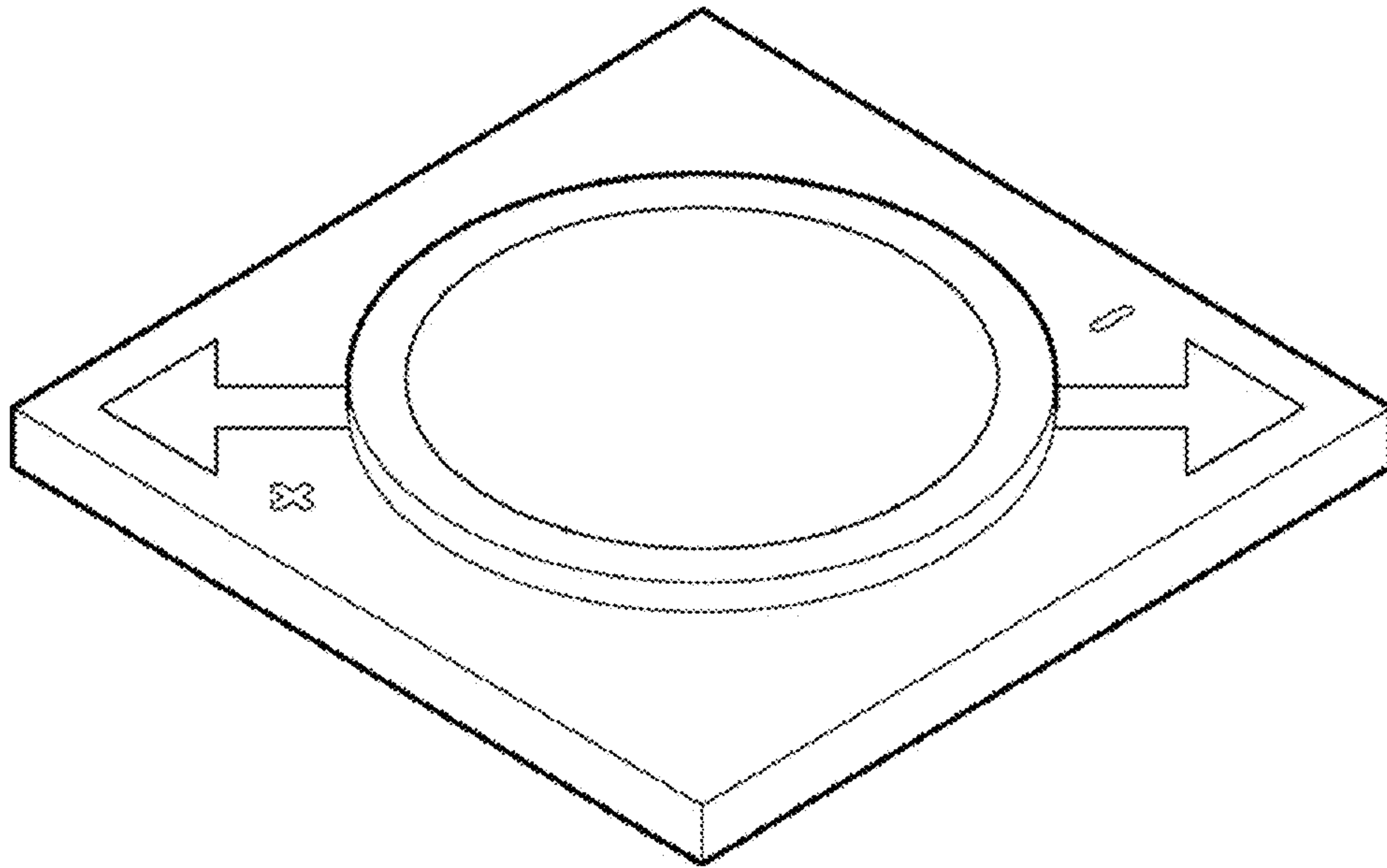


Fig. 2

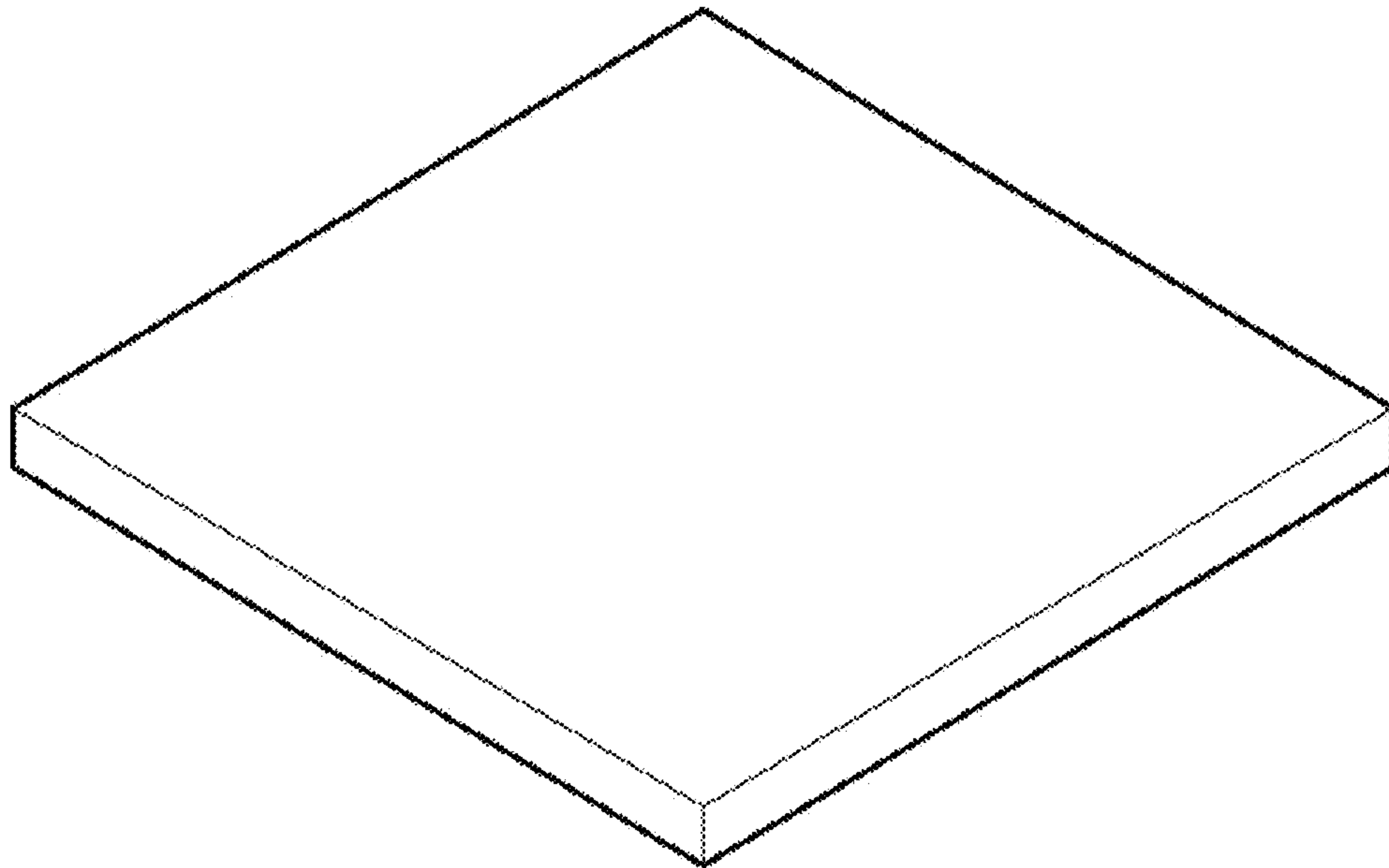


Fig. 3



Fig. 4

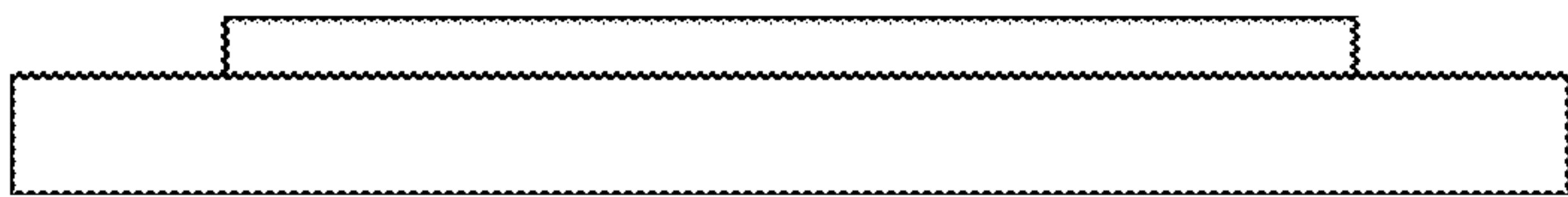


Fig. 5

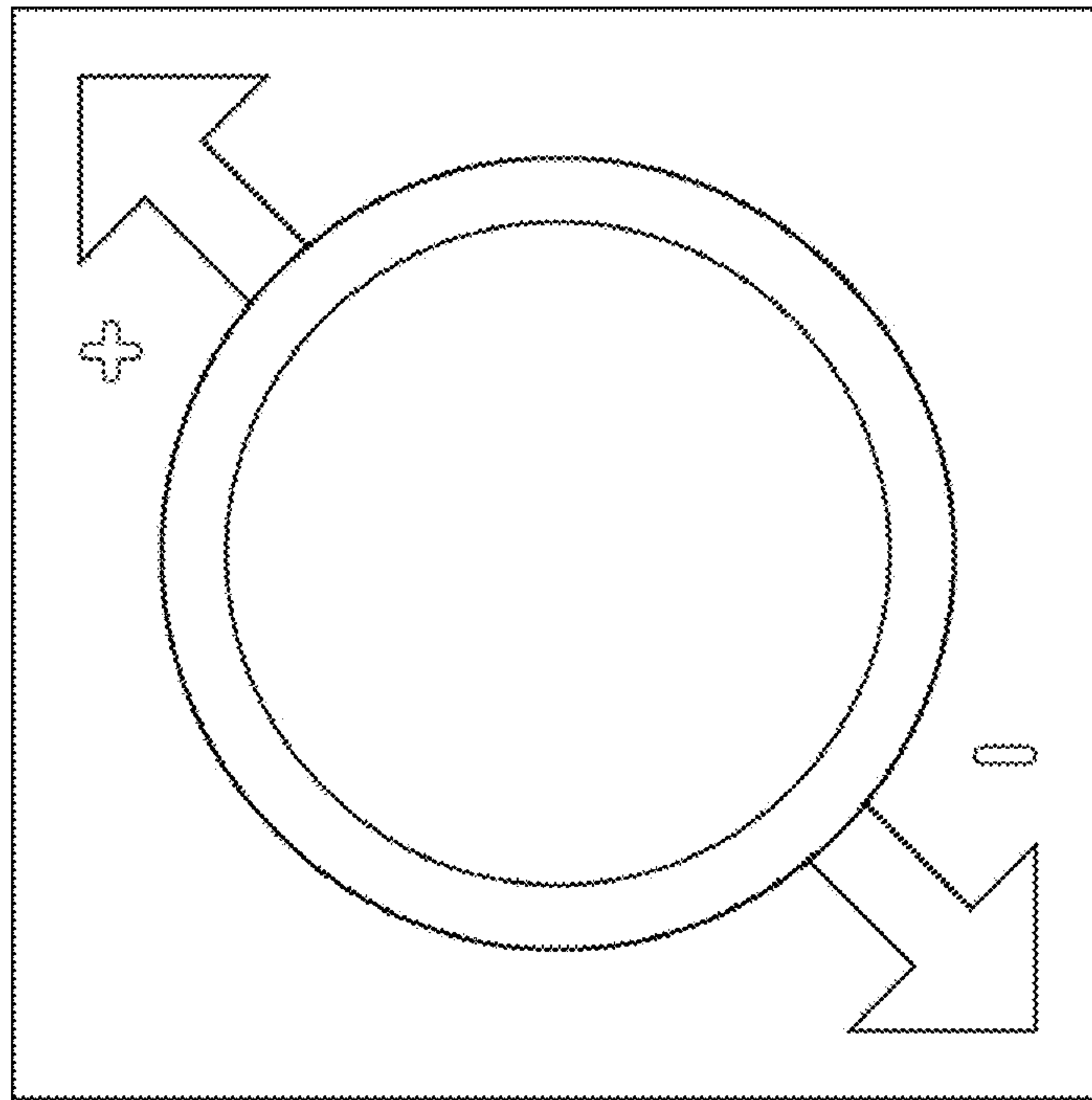


Fig. 6

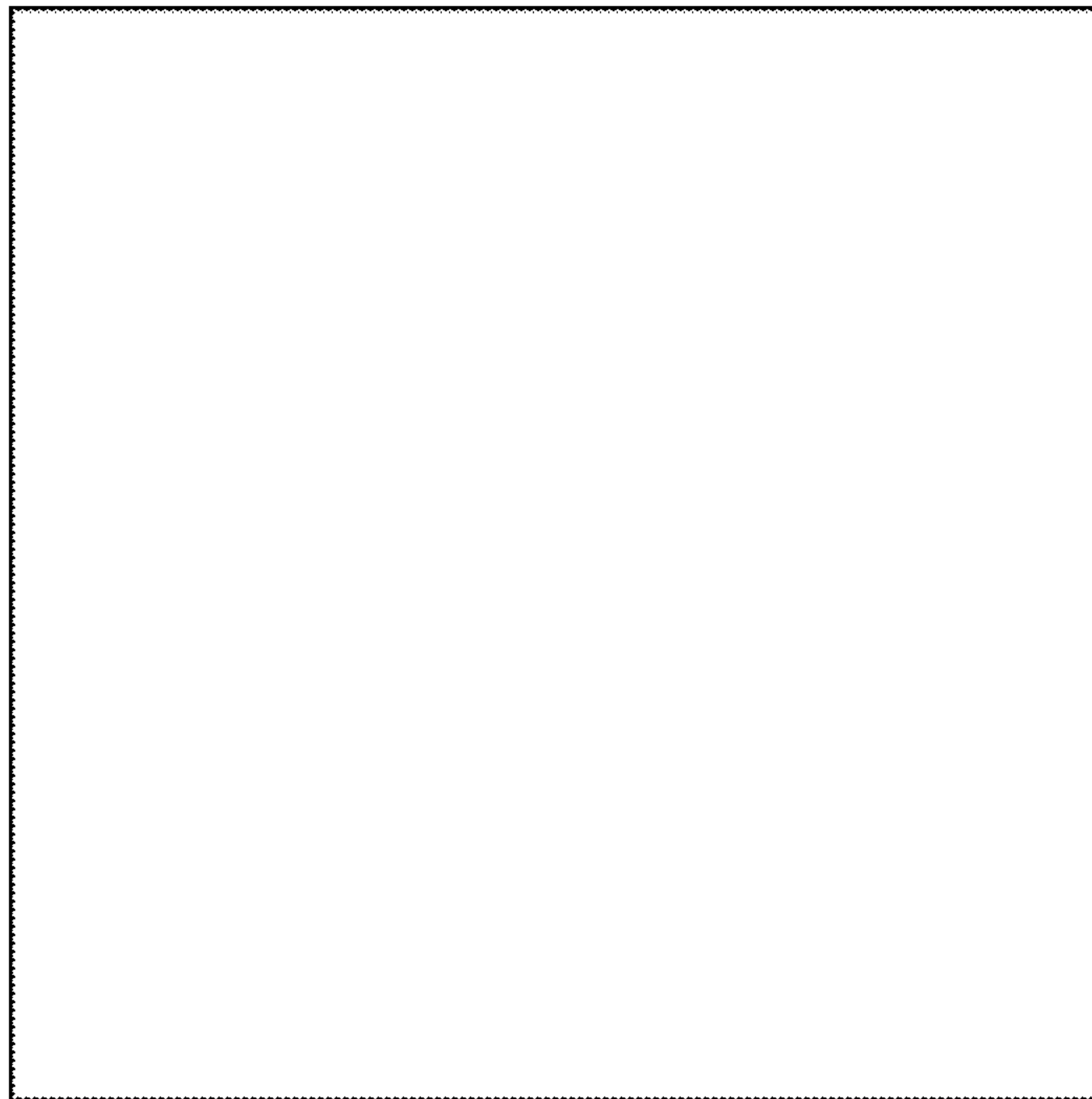


Fig. 7

