



US00D771281S

(12) **United States Design Patent**  
**Kilian et al.**

(10) **Patent No.:** **US D771,281 S**  
(45) **Date of Patent:** **\*\* Nov. 8, 2016**

- (54) **ARCHITECTURAL FIXTURE**
- (71) Applicant: **ARKTURA LLC**, Gardena, CA (US)
- (72) Inventors: **Robert Kilian**, Venice, CA (US); **Kevin Kane**, Los Angeles, CA (US); **Chris Kabatsi**, Venice, CA (US)
- (73) Assignee: **Arktura LLC**, Gardena, CA (US)
- (\*\*) Term: **15 Years**
- (21) Appl. No.: **29/535,220**
- (22) Filed: **Aug. 4, 2015**

D584,849 S *	1/2009	Otero	.....	D26/118
8,119,775 B2 *	2/2012	Moretta	.....	C07K 16/2803
				530/388.15
8,298,650 B2 *	10/2012	Reichwein	.....	B32B 25/14
				428/156
8,512,848 B2 *	8/2013	Reichwein	.....	B32B 3/10
				428/156
D703,834 S *	4/2014	Schober	.....	D25/105
D703,835 S *	4/2014	Schober	.....	D25/105
8,976,080 B2 *	3/2015	Richards	.....	G09G 3/002
				345/1.3
9,204,742 B2 *	12/2015	Jensen	.....	A47G 9/0238
2008/0041849 A1 *	2/2008	Wang	.....	B65D 9/06
				220/4.28
2012/0236217 A1 *	9/2012	Kitai	.....	G02F 1/133603
				349/5

**Related U.S. Application Data**

- (63) Continuation-in-part of application No. 29/532,283, filed on Jul. 3, 2015.
- (51) **LOC (10) Cl.** ..... **25-01**
- (52) **U.S. Cl.**  
USPC ..... **D25/138**
- (58) **Field of Classification Search**  
USPC ..... D25/42, 138, 139, 140, 141, 143, 144, D25/145, 146, 147, 148, 149, 151, 152, 153, D25/154, 155, 156, 157, 158, 159, 160, 161, D25/162, 163, 48.5, 58, 103, 142; D5/1, 2, D5/3, 5, 6, 8, 11, 12, 15, 16, 24, 29, 32, 43, D5/47, 54, 58, 53  
CPC ..... E04B 2001/2481; E04B 1/84; E04B 1/8404; E04B 9/00; E04B 1/86; E04B 2001/1984; E04B 9/22; E04B 9/225; E04B 9/24; E04B 9/242; F21V 7/043; F21V 21/02; F21V 21/104; E04F 13/00  
See application file for complete search history.

(56) **References Cited**

**U.S. PATENT DOCUMENTS**

2,958,761 A *	11/1960	Wakefield	.....	E04B 9/32
				248/343
D193,658 S *	9/1962	de Leon	.....	D25/163
3,624,388 A *	11/1971	Schwartz	.....	E04B 9/04
				362/330

**OTHER PUBLICATIONS**

Arktura Architectural Products / Hart Associates Kansas (on-line), no date available. Retrieved from Internet Jun. 14, 2016, URL: <http://hartks.com/arktura-architectural/> (1 page).\*

\* cited by examiner

*Primary Examiner* — Vy Koenig

*Assistant Examiner* — Kimberly Barnes

(74) *Attorney, Agent, or Firm* — Zuber Lawler & Del Duca, LLP; Matthew J. Spark

(57) **CLAIM**

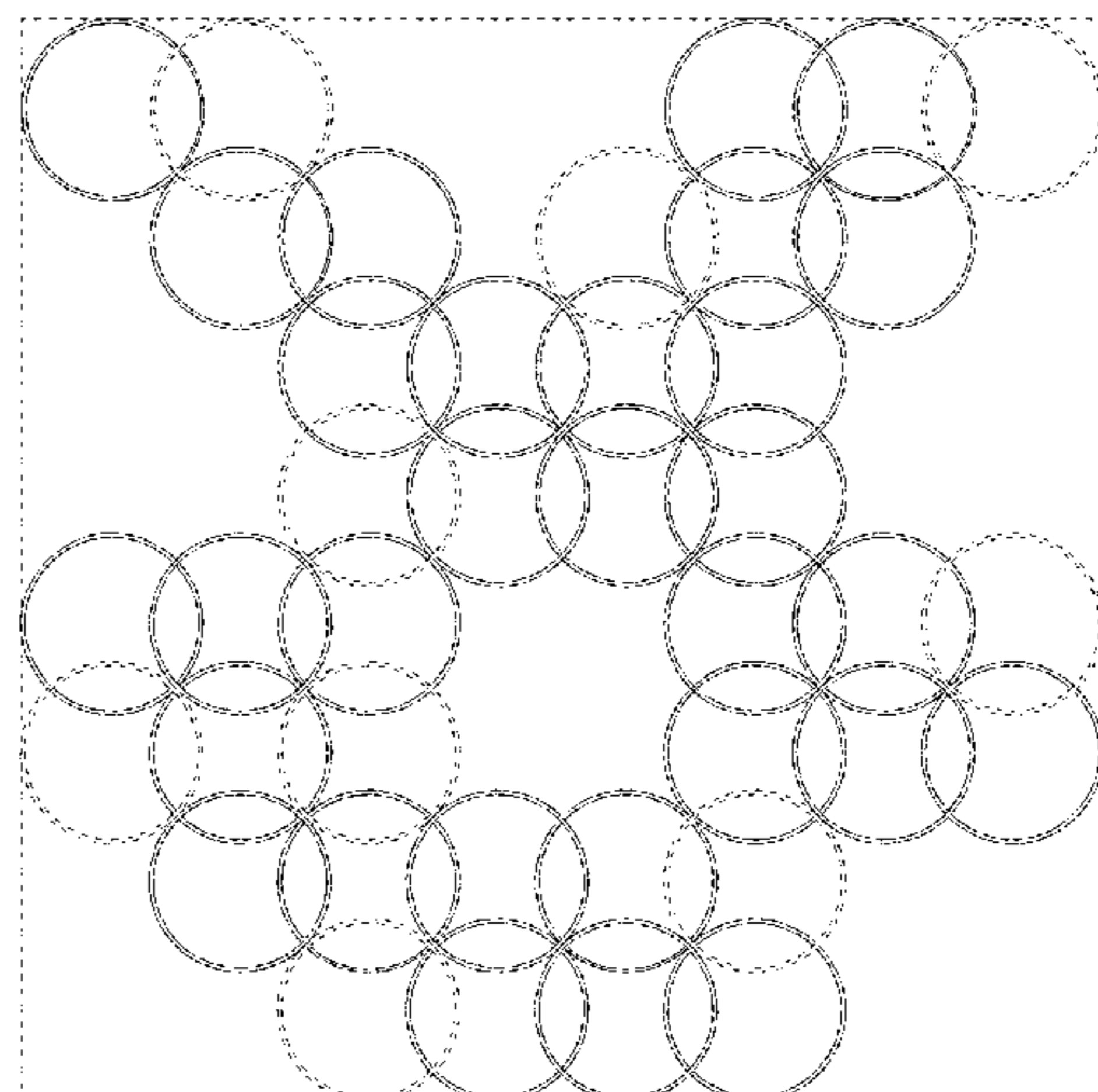
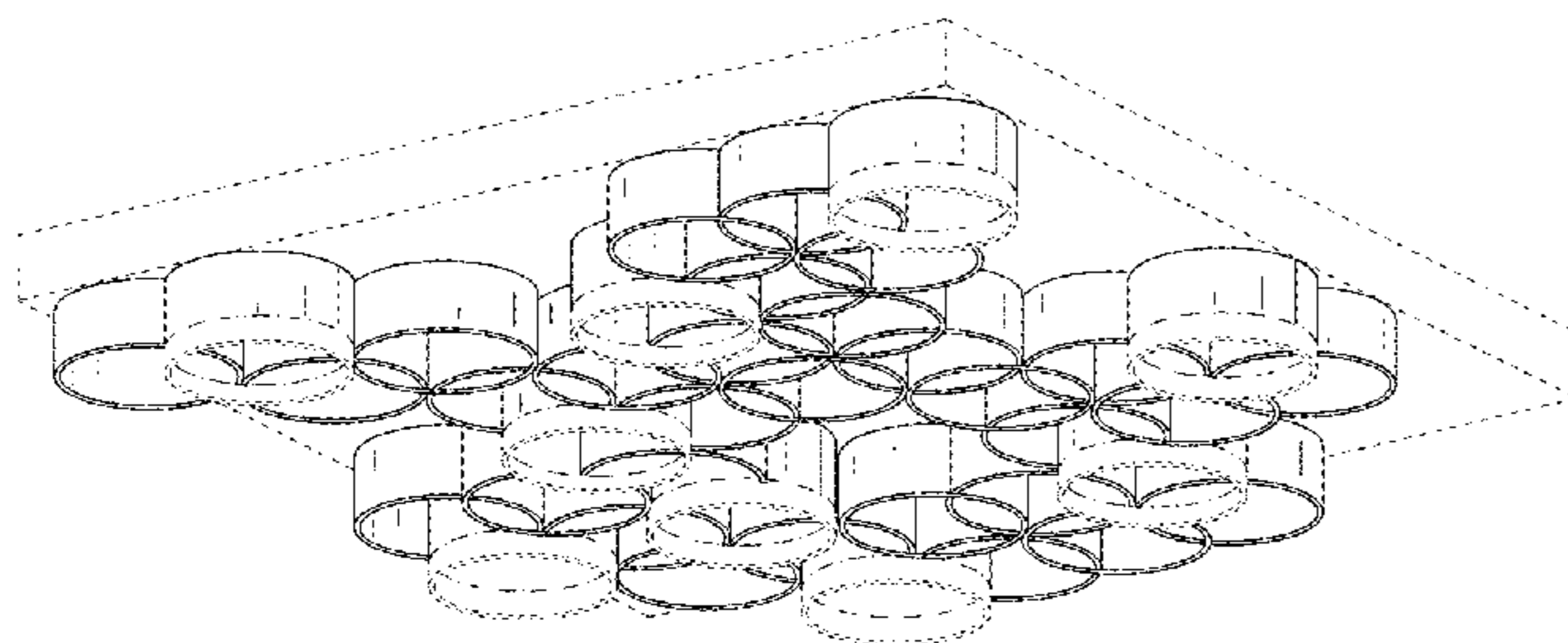
The ornamental design for an architectural fixture, as shown and described.

**DESCRIPTION**

FIG. 1 is a perspective view of our new design for an architectural fixture;  
FIG. 2 is a front elevational view thereof;  
FIG. 3 is a right elevational view thereof;  
FIG. 4 is a rear elevational view thereof;  
FIG. 5 is a left elevational view thereof;  
FIG. 6 is a bottom plan view thereof; and,  
FIG. 7 is a top plan view thereof.

The portions of the article shown in evenly dashed lines in the accompanying figures illustrate environment that form no part of the claimed design. The dash-dot-dash lines illustrate boundaries and form no part thereof.

**1 Claim, 3 Drawing Sheets**



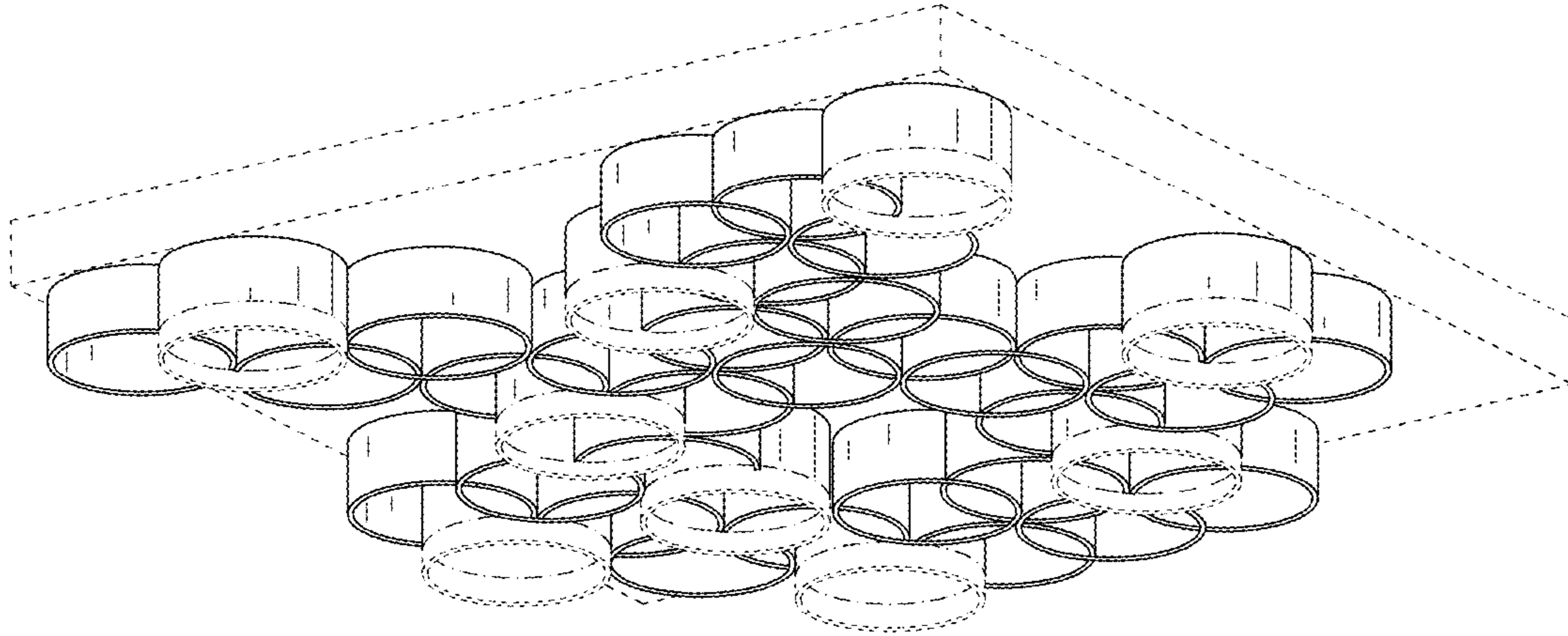


FIG. 1



FIG. 2

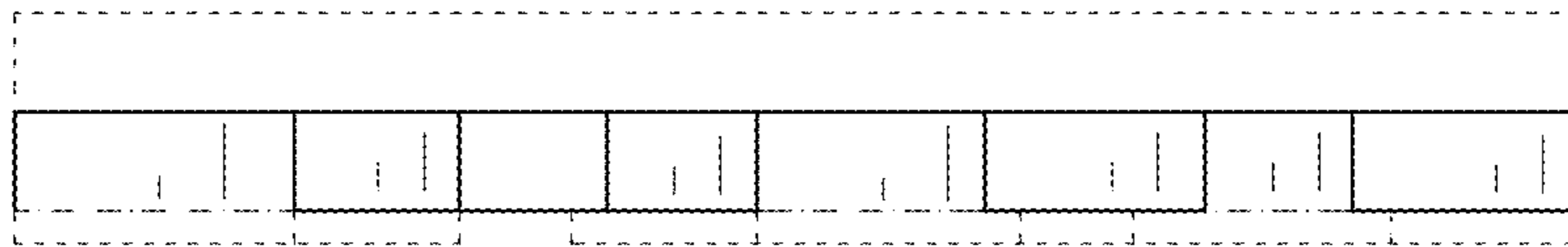


FIG. 3

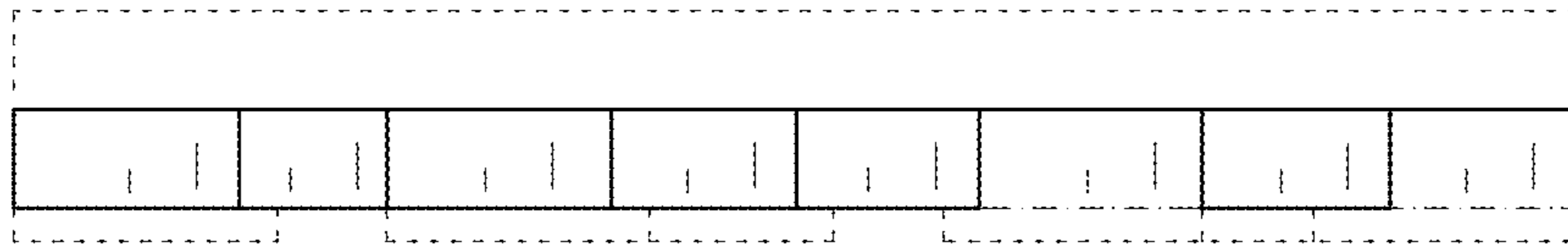


FIG. 4

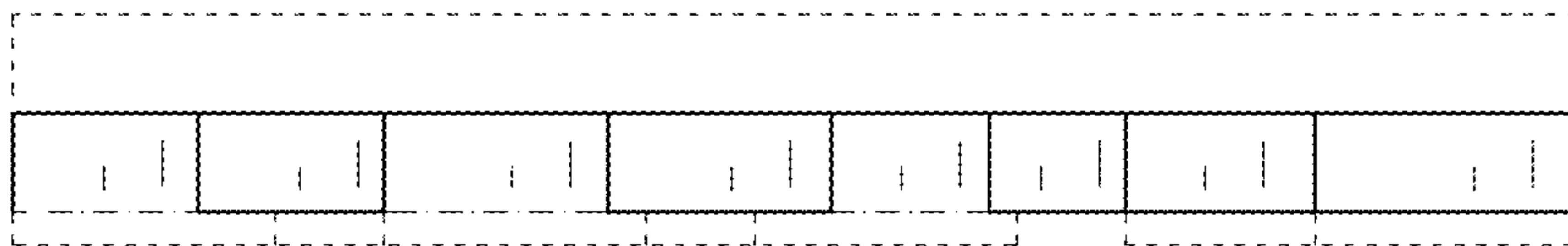


FIG. 5

FIG. 6

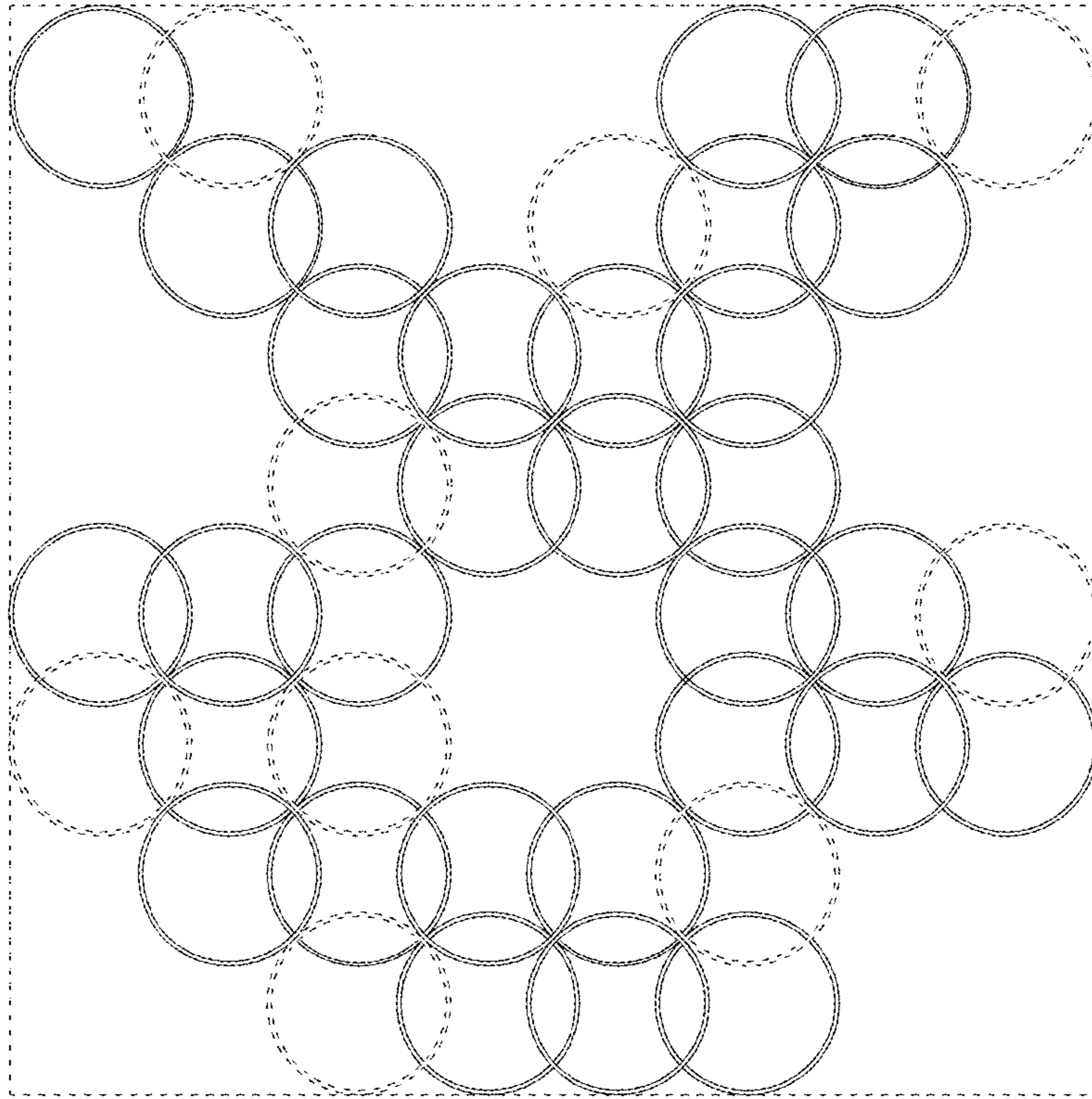


FIG. 7

