



US00D771280S

(12) **United States Design Patent** (10) **Patent No.:** **US D771,280 S**  
**Kilian et al.** (45) **Date of Patent:** **\*\* Nov. 8, 2016**

(54) **ARCHITECTURAL PANEL**  
(71) Applicant: **ARKTURA LLC**, Gardena, CA (US)  
(72) Inventors: **Robert Kilian**, Venice, CA (US); **Kevin Kane**, Los Angeles, CA (US); **Chris Kabatsi**, Venice, CA (US)  
(73) Assignee: **Arktura LLC**, Gardena, CA (US)  
(\*\*) Term: **15 Years**  
(21) Appl. No.: **29/533,411**  
(22) Filed: **Jul. 16, 2015**

6,908,656 B2 \* 6/2005 Daniel ..... A47G 27/0275  
428/44  
D541,053 S \* 4/2007 Sanders ..... D5/58  
D619,346 S \* 7/2010 Moon ..... D2/951  
D638,145 S \* 5/2011 Rhee ..... D25/157  
D652,950 S \* 1/2012 Waters ..... D25/58  
D655,922 S \* 3/2012 Lee ..... D5/58  
D660,460 S \* 5/2012 Dixon ..... D25/113  
8,361,581 B2 \* 1/2013 Tick ..... A47G 27/0275  
428/434  
D726,420 S \* 4/2015 Cordovana ..... D5/99  
9,181,714 B2 \* 11/2015 MacDonald ..... E01O 5/00

**Related U.S. Application Data**

(63) Continuation-in-part of application No. 29/532,283, filed on Jul. 3, 2015.  
(51) **LOC (10) Cl.** ..... **25-01**  
(52) **U.S. Cl.**  
USPC ..... **D25/138**  
(58) **Field of Classification Search**  
USPC ..... D25/42, 138, 139, 140, 141, 143, 144, D25/145, 146, 147, 148, 149, 151, 152, 153, D25/154, 155, 156, 157, 158, 159, 160, 161, D25/162, 163, 48.5, 58, 103, 142; D5/1, 2, D5/3, 5, 6, 8, 11, 12, 15, 16, 24, 29, 32, 43, D5/47, 54, 58, 53  
CPC ..... E04B 2001/2481; E04B 1/84; E04B 1/8404; E04B 9/00; E04B 1/86; E04B 2001/1984; E04B 9/22; E04B 9/225; E04B 9/24; E04B 9/242; F21V 7/04; F21V 21/02; F21V 21/104; E04F 13/00  
See application file for complete search history.

**References Cited**

**U.S. PATENT DOCUMENTS**

D96,547 S \* 8/1935 Harshberger ..... D25/139  
D236,989 S \* 9/1975 Holman ..... D14/214  
D252,091 S \* 6/1979 Popeck ..... 273/157 R

**OTHER PUBLICATIONS**

SoftPlanes / Arktura (on-line), no date available. Retrieved from Internet Jun. 16, 2016, URL: <http://arktura.com/product/softplanes/> (5 pages).\*

\* cited by examiner

*Primary Examiner* — Vy Koenig  
*Assistant Examiner* — Kimberly Barnes  
(74) *Attorney, Agent, or Firm* — Zuber Lawler & Del Duca LLP; Matthew J. Spark

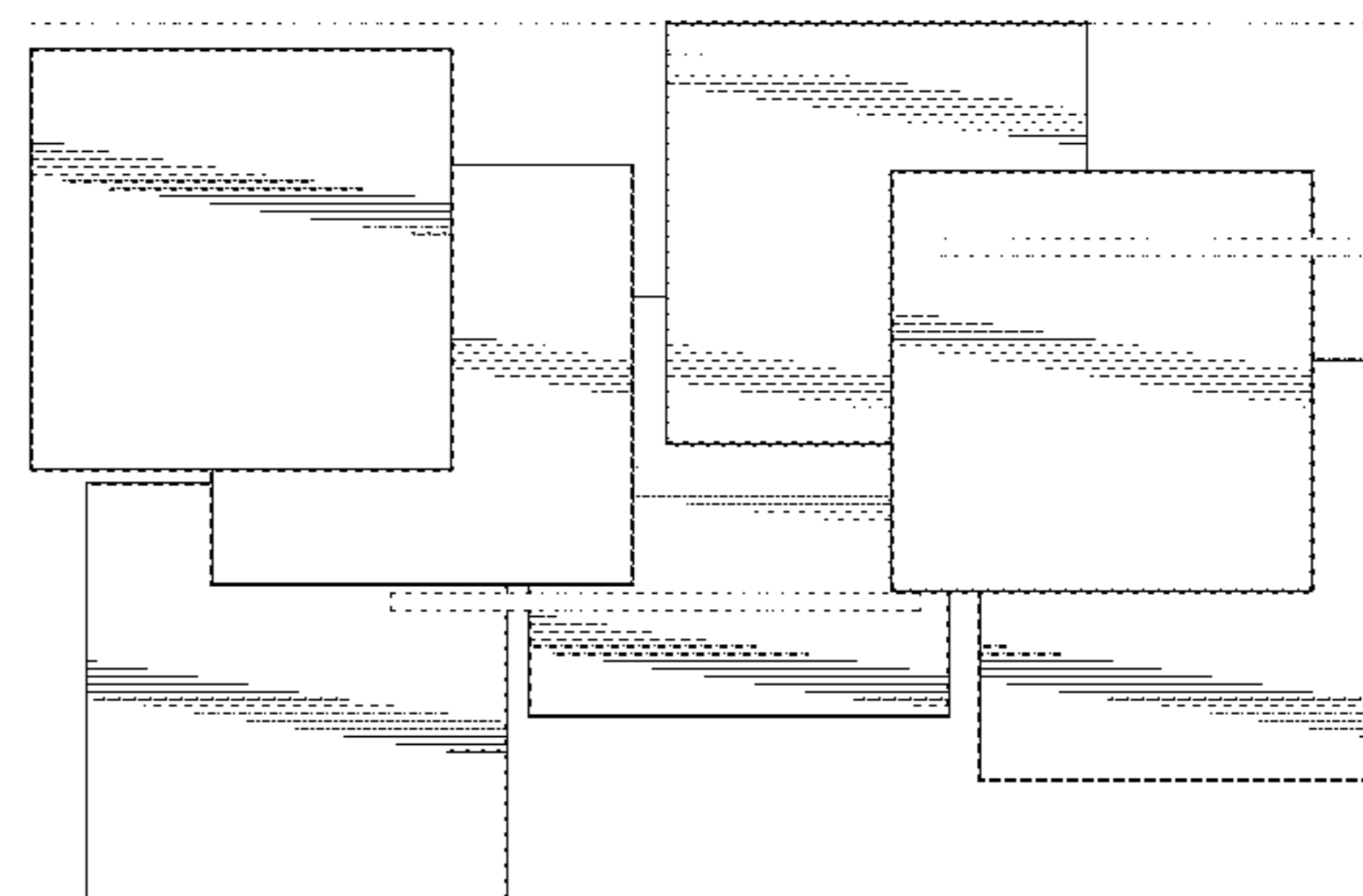
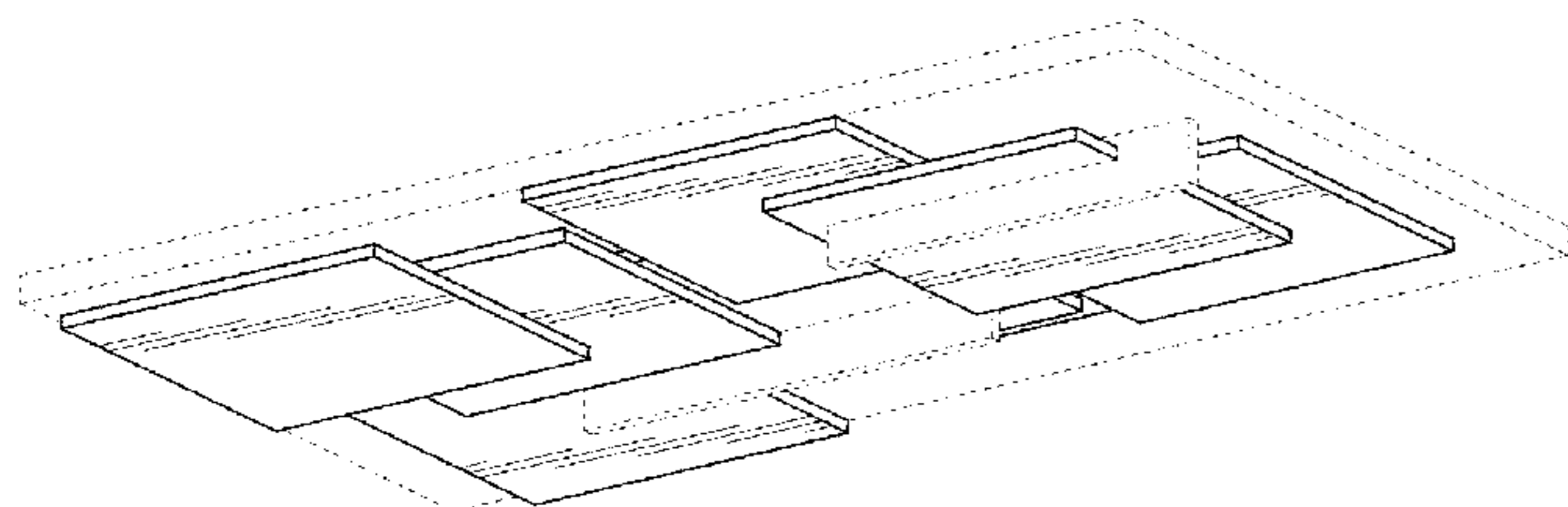
**CLAIM**

(57) The ornamental design for an architectural panel, as shown and described.

**DESCRIPTION**

FIG. 1 is a perspective view of our new design for an architectural panel;  
FIG. 2 is a front elevational view thereof;  
FIG. 3 is a right elevational view thereof;  
FIG. 4 is a rear elevational view thereof;  
FIG. 5 is a left elevational view thereof;  
FIG. 6 is a bottom plan view thereof; and,  
FIG. 7 is a top plan view thereof.  
The broken lines in the accompanying figures depict portions of the architectural panel that form no part of the claimed design.

**1 Claim, 3 Drawing Sheets**



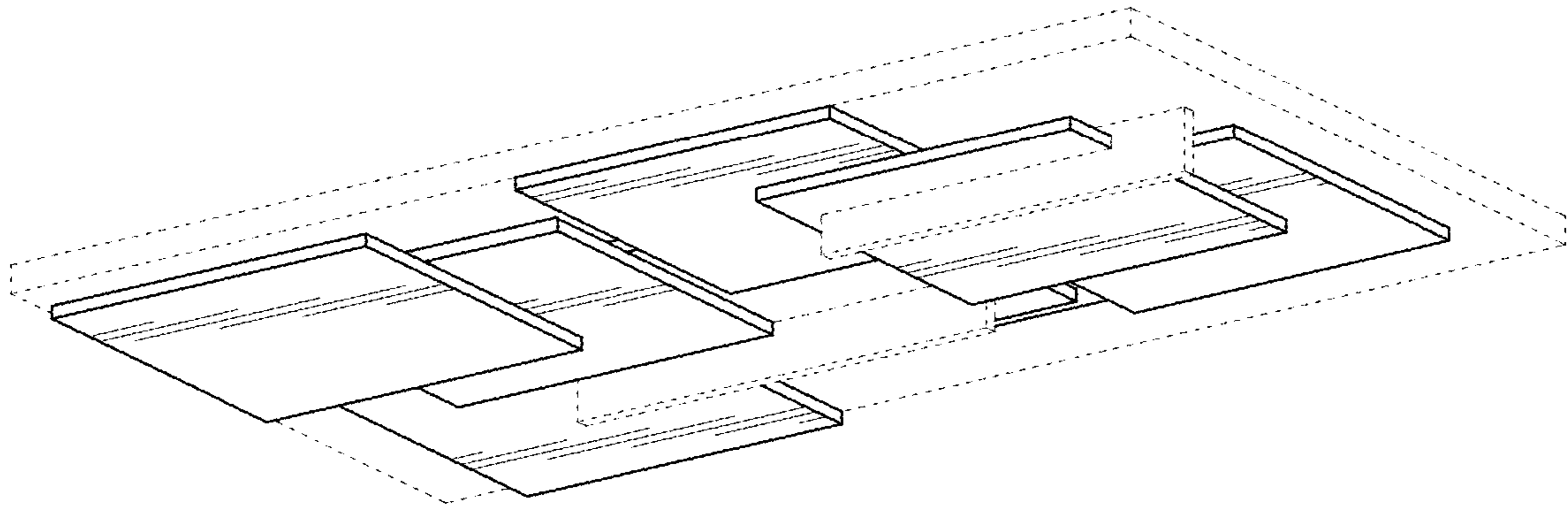


FIG. 1

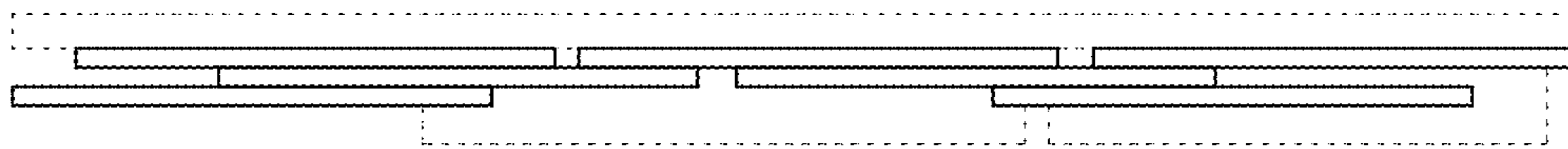


FIG. 2

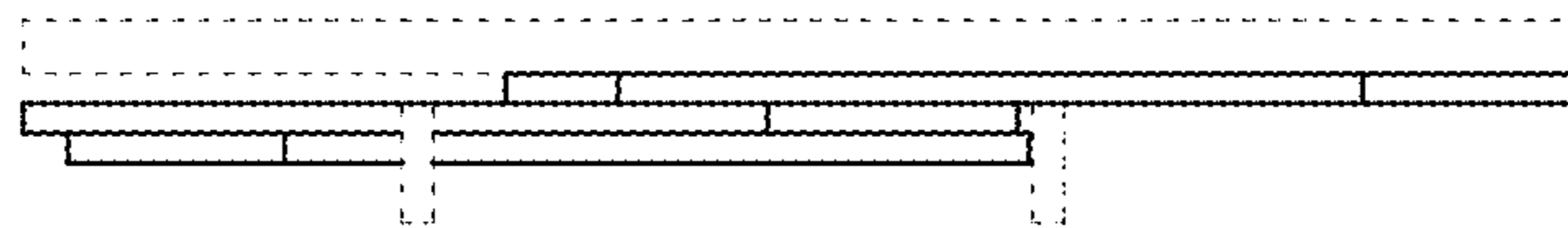


FIG. 3

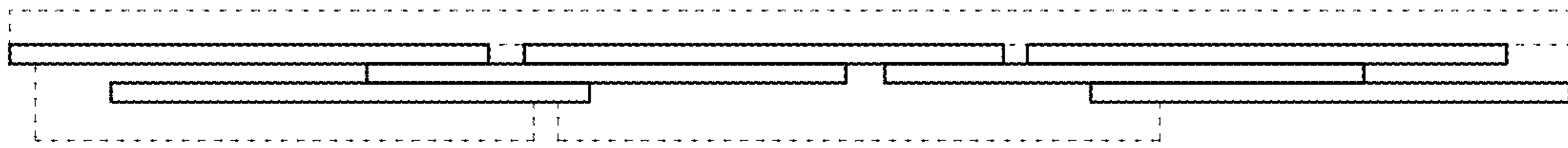


FIG. 4

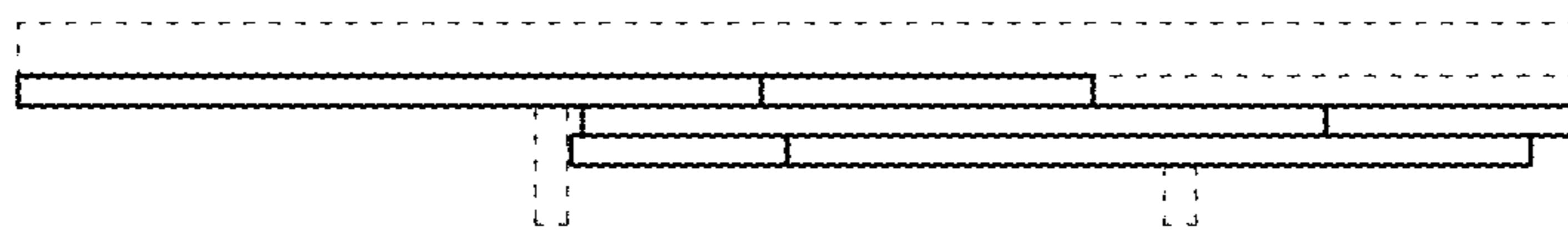


FIG. 5

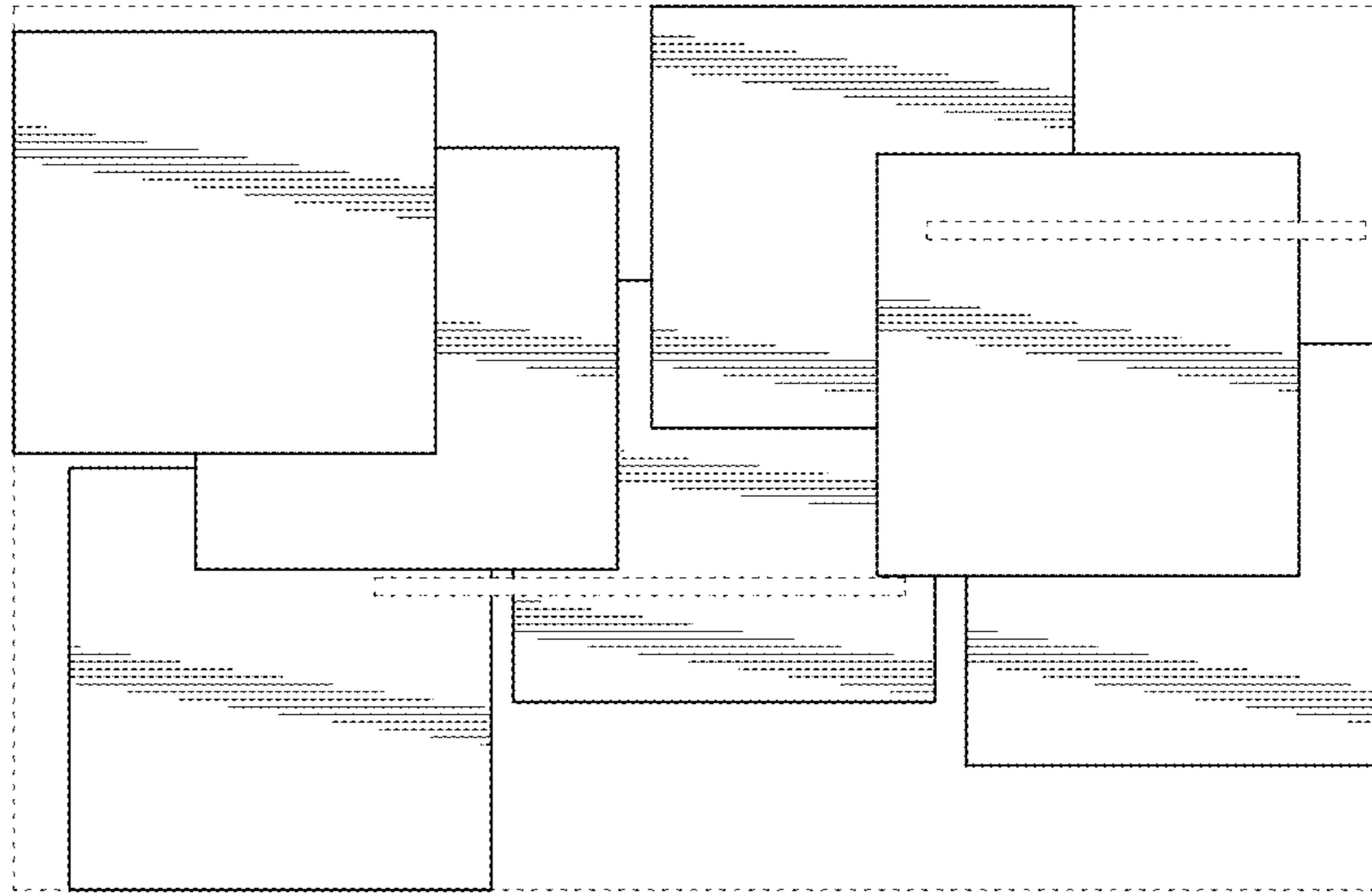


FIG. 6

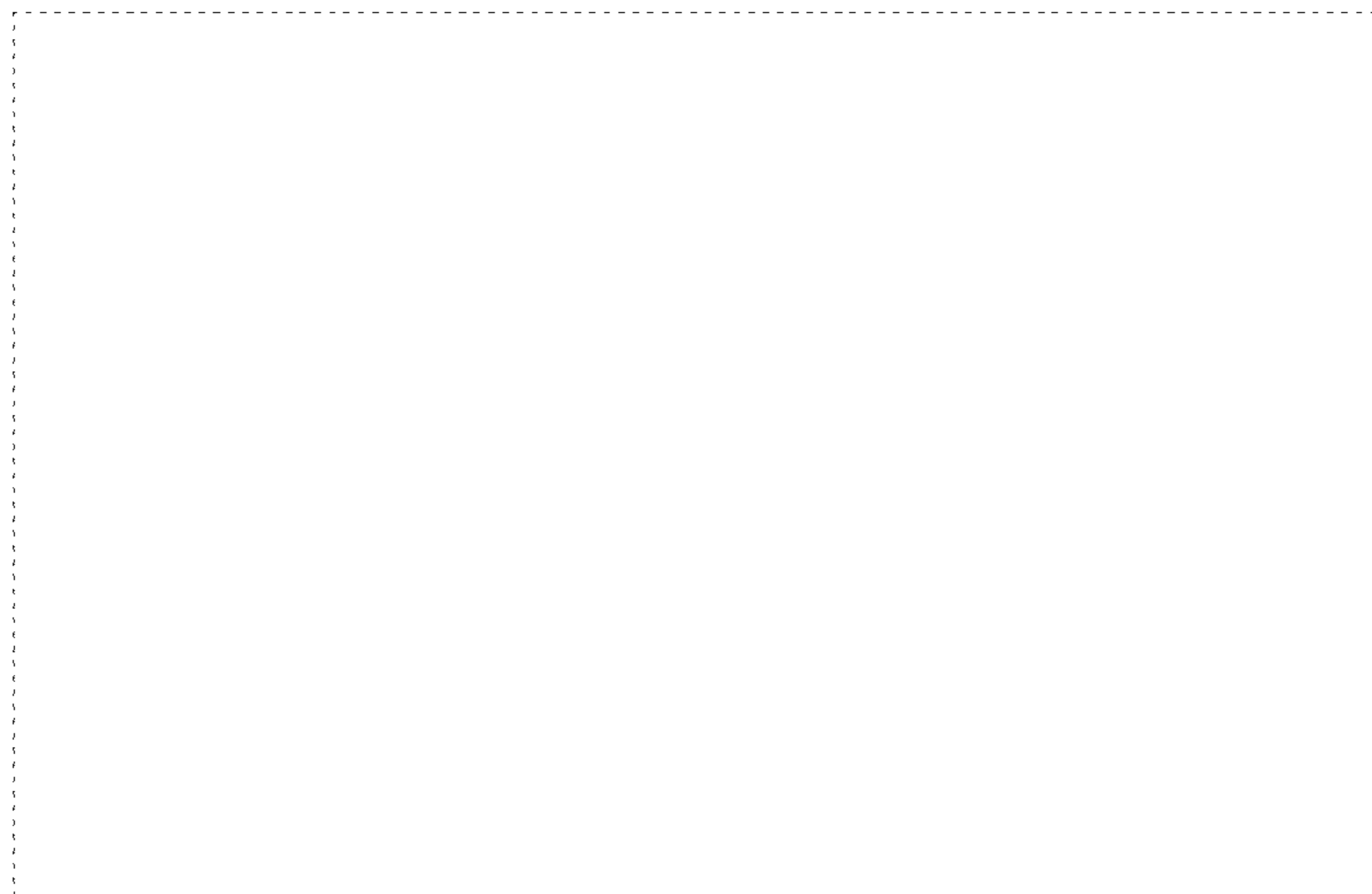


FIG. 7