



US00D771278S

(12) **United States Design Patent** (10) **Patent No.:** **US D771,278 S**  
**Metcalf** (45) **Date of Patent:** **\*\* Nov. 8, 2016**

(54) **PANEL WITH PATTERN**

- (71) Applicant: **3form, LLC**, Salt Lake City, UT (US)
- (72) Inventor: **Elizabeth Egan Metcalf**, Salt Lake City, UT (US)
- (73) Assignee: **3Form, LLC**, Salt Lake City, UT (US)
- (\*\*) Term: **15 Years**
- (21) Appl. No.: **29/530,619**
- (22) Filed: **Jun. 18, 2015**

**Related U.S. Application Data**

- (63) Continuation of application No. 14/998,010, filed on Mar. 18, 2015.
- (51) **LOC (10) Cl.** ..... **25-01**
- (52) **U.S. Cl.**  
USPC ..... **D25/138**
- (58) **Field of Classification Search**  
USPC ..... D25/42, 138, 139, 140, 141, 143, 144, D25/145, 146, 147, 148, 149, 151, 152, 153, D25/154, 155, 156, 157, 158, 159, 160, 161, D25/162, 163, 48.5, 58, 103, 142; D5/1, 2, D5/3, 5, 6, 8, 11, 12, 15, 16, 24, 29, 32, 43, D5/47, 54, 58, 53  
CPC ..... E04B 2001/2481; E04B 2001/2484; E04B 1/84; E04B 1/8404; E04B 1/8409; E04B 5/00; E04B 7/00; E04B 9/00; E04B 1/86; E04B 2001/1984; E04F 15/02; E01C 5/00  
See application file for complete search history.

(56) **References Cited**

**U.S. PATENT DOCUMENTS**

- D102,846 S \* 1/1937 Siner ..... 160/330
- D108,301 S \* 2/1938 Siegel ..... D5/47
- D113,825 S \* 3/1939 Carragher et al. .... D5/47
- D156,185 S \* 11/1949 Vogel ..... D5/47

(Continued)

**FOREIGN PATENT DOCUMENTS**

- EM 001862756 6/2011
- KR 300743571.0000 \* 5/2014

**OTHER PUBLICATIONS**

Dapple Etch (on-line), dated Oct. 25, 2014. Retrieved from Internet Jun. 14, 2016, URL: [https://web.archive.org/web/20141025004450/http://www.3-form.com/materials/infinite\\_glass/pattern+\\_etch/dapple\\_etch/](https://web.archive.org/web/20141025004450/http://www.3-form.com/materials/infinite_glass/pattern+_etch/dapple_etch/) (7 pages).\*

(Continued)

*Primary Examiner* — Vy Koenig

*Assistant Examiner* — Kimberly Barnes

(74) *Attorney, Agent, or Firm* — Workman Nydegger

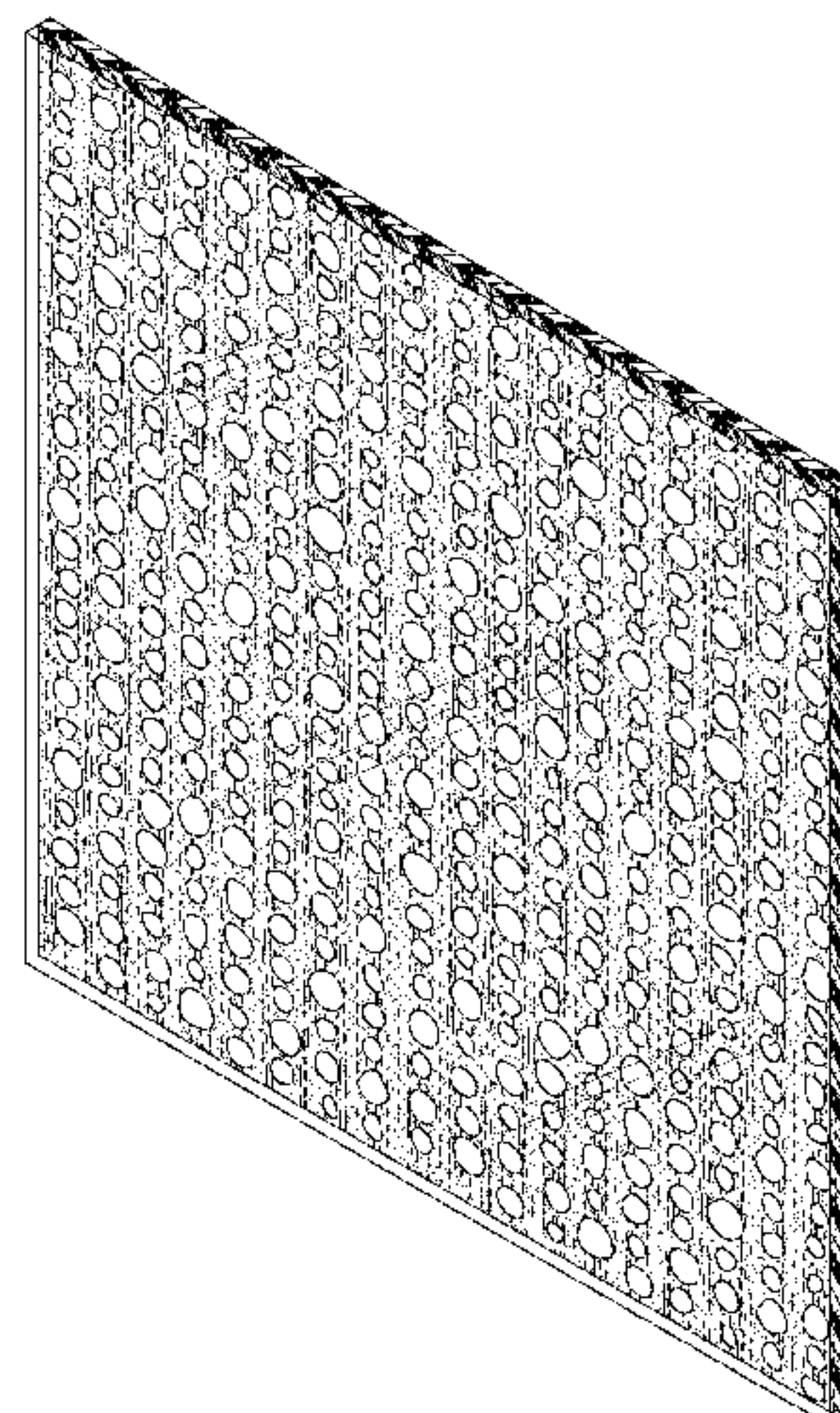
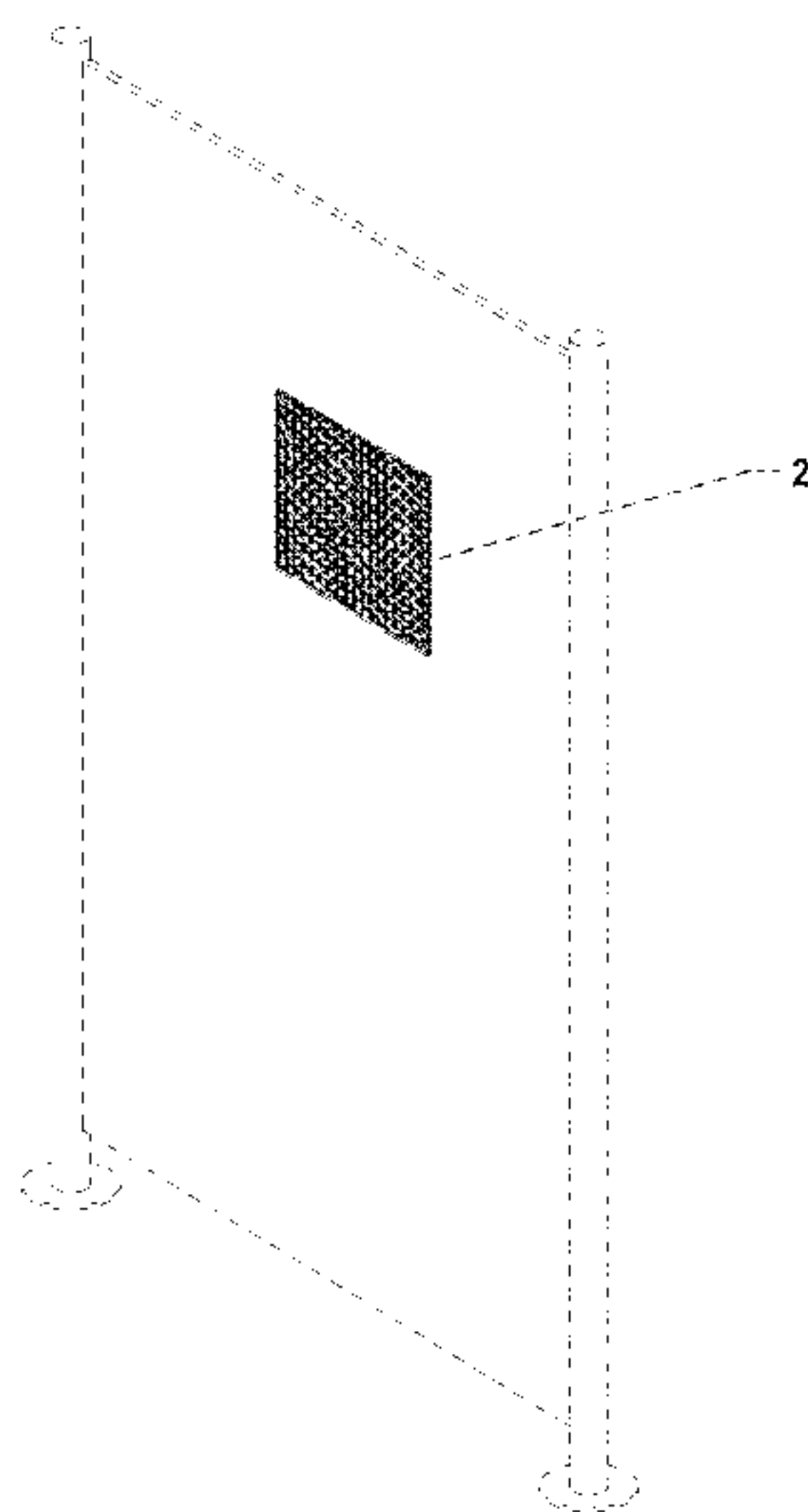
(57) **CLAIM**

The ornamental design for a panel with pattern, as shown and described.

**DESCRIPTION**

FIG. 1 is a front perspective view of a panel with pattern as used in a partition;  
 FIG. 2 is a front perspective view thereof;  
 FIG. 3 is a front elevational view thereof;  
 FIG. 4 is a cross-sectional view taken in the direction of line 4-4 in FIG. 3;  
 FIG. 5 is a cross-sectional view taken in the direction of line 5-5 in FIG. 3;  
 FIG. 6 is a cross-sectional view taken in the direction of line 6-6 in FIG. 3; and,  
 FIG. 7 is a cross-sectional view taken in the direction of line 7-7 in FIG. 3.  
 The broken lines shown in FIG. 1 illustrate environmental subject matter that forms no part of the claimed design.

**1 Claim, 3 Drawing Sheets**



(56)

References Cited

U.S. PATENT DOCUMENTS

D187,102 S \* 1/1960 McCobb ..... D25/103  
D190,019 S \* 4/1961 Edmondson ..... D25/155  
D224,149 S 7/1972 Sahn  
D224,150 S 7/1972 Sahn  
D261,191 S 10/1981 Ford  
5,725,927 A \* 3/1998 Zilg ..... A47L 13/16  
15/209.1  
D521,302 S \* 5/2006 Yeh ..... D6/608  
D644,340 S 8/2011 Canales  
D652,958 S 1/2012 Canales  
D653,777 S 2/2012 Damen  
D653,780 S 2/2012 Metcalf  
D676,980 S \* 2/2013 Mitchell ..... D25/103  
D702,859 S \* 4/2014 Schober ..... D25/111  
D702,950 S \* 4/2014 Su ..... D5/54

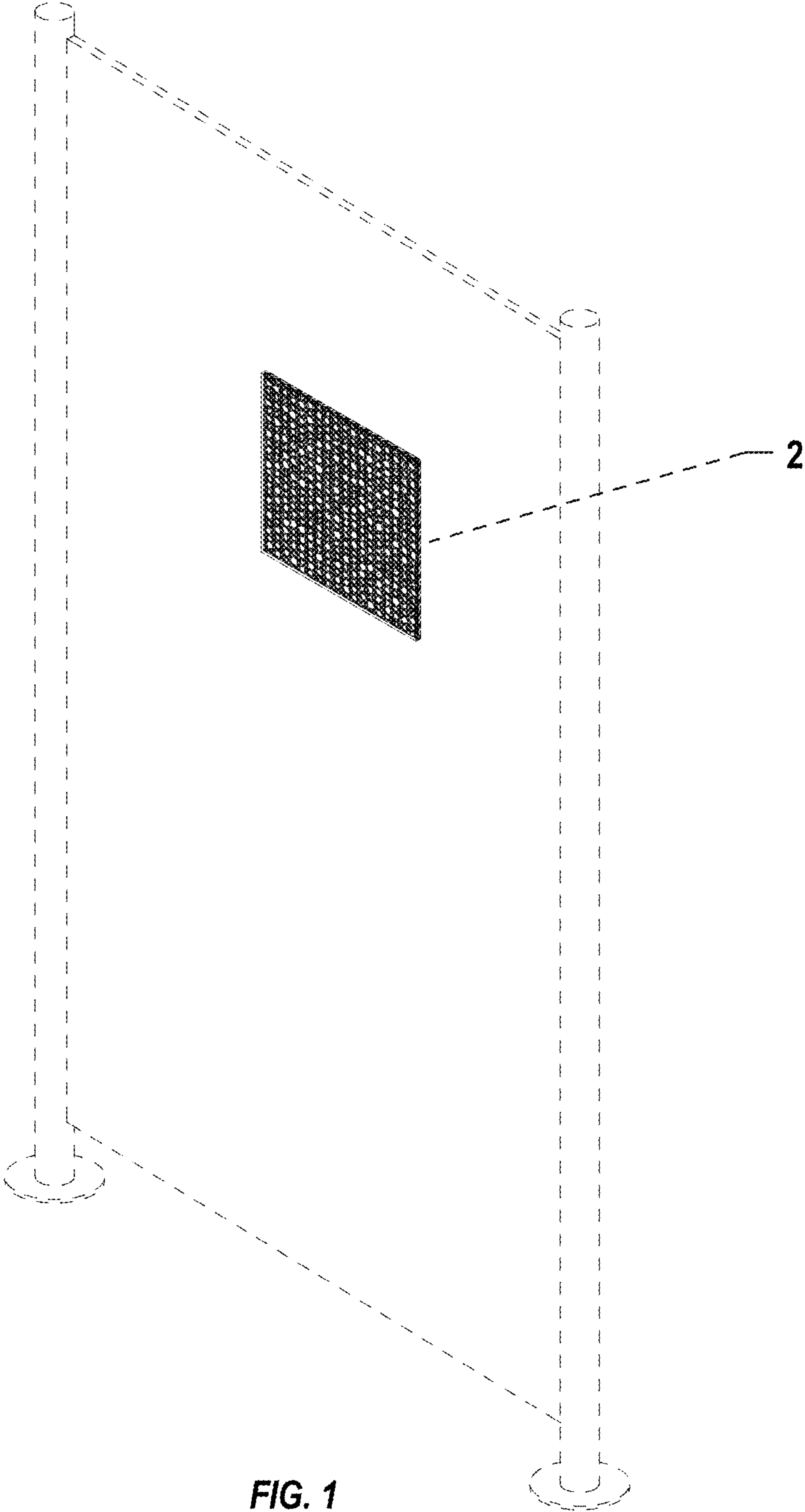
D703,834 S \* 4/2014 Schober ..... D25/105  
D703,835 S \* 4/2014 Schober ..... D25/105  
D705,948 S 5/2014 Schober  
D705,949 S 5/2014 Schober  
D707,854 S 6/2014 Schober  
D720,472 S 12/2014 Schober  
D728,828 S 5/2015 Metcalf  
2011/0268921 A1 11/2011 Canales  
2014/0072732 A1 3/2014 Moore

OTHER PUBLICATIONS

Notice of Allowance for U.S. Appl. No. 29/530,501 dated Apr. 25, 2016.

[http://www.3-form.com/materials/pressed\\_glass/woods/highres\\_zebrano\\_pressed/](http://www.3-form.com/materials/pressed_glass/woods/highres_zebrano_pressed/).

\* cited by examiner





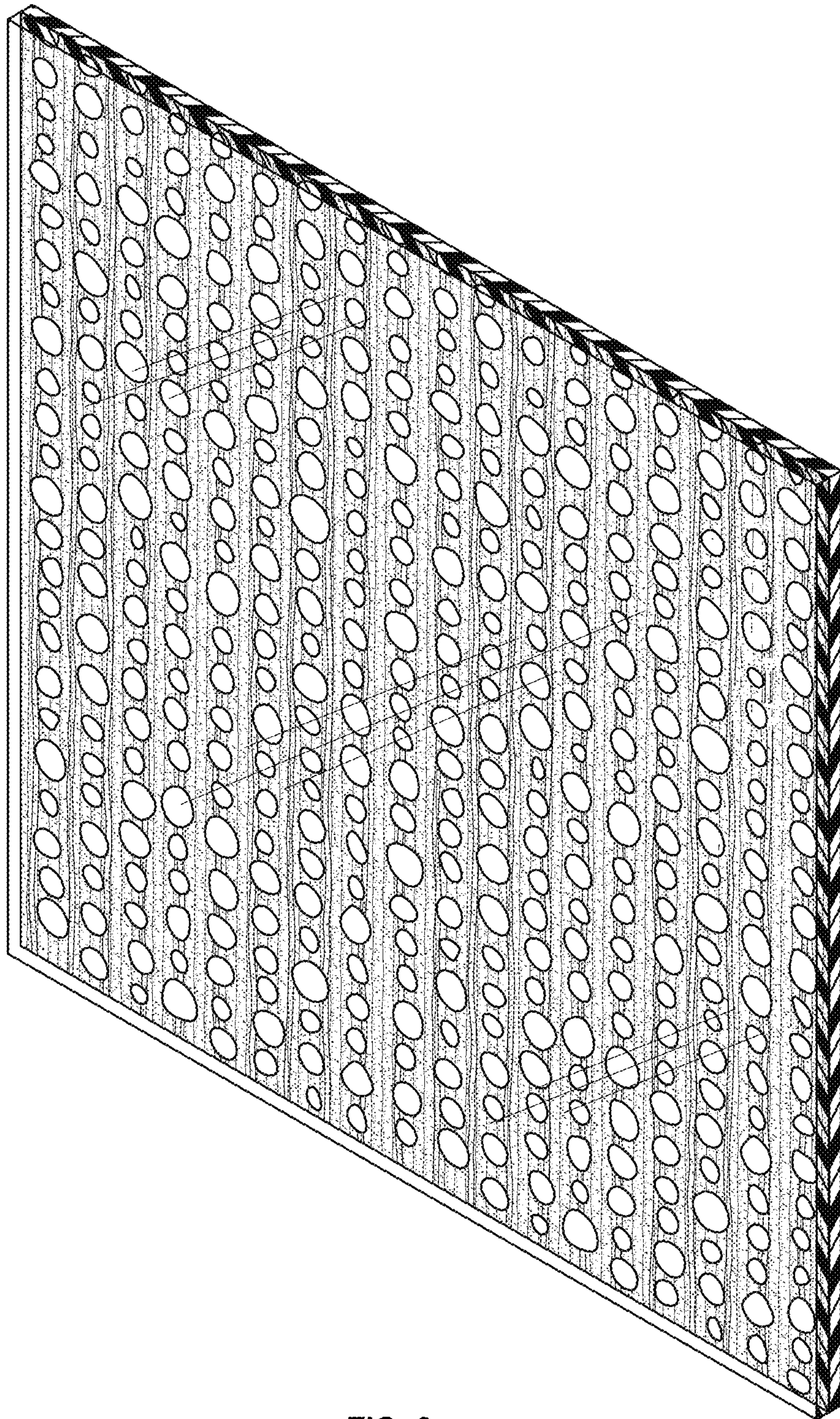


FIG. 2



