



US00D771277S

(12) **United States Design Patent** (10) **Patent No.:** **US D771,277 S**  
**McCue et al.** (45) **Date of Patent:** **\*\* Nov. 8, 2016**

(54) **EXTRUDED RAIL**  
(71) Applicant: **McCue Corporation**, Peabody, MA (US)  
(72) Inventors: **David S. McCue**, Manchester, MA (US); **Timothy David Stratford**, Buckinghamshire (GB); **Steve Field**, Ogunquit, ME (US); **Thomas Ustach**, Melrose, MA (US)  
(73) Assignee: **MCCUE CORPORATION**, Peabody, MA (US)

D287,284 S *	12/1986	Pavy .....	D25/122
D288,614 S *	3/1987	Bos .....	D25/122
D318,334 S *	7/1991	Gibbs .....	D25/123
D330,431 S *	10/1992	Wang .....	D25/119
D409,766 S *	5/1999	Gabriele .....	D25/122
D446,315 S *	8/2001	Forbis .....	D25/38.1
D470,598 S *	2/2003	Schneider .....	D25/126
D487,158 S *	2/2004	Forbis .....	D25/122
D515,266 S *	2/2006	Moe .....	D25/38.1
D596,319 S *	7/2009	Koehn .....	D25/122
D606,211 S *	12/2009	Frobosilo .....	D25/121
D631,171 S *	1/2011	Konrad .....	D25/124
D714,469 S *	9/2014	Sferco .....	D25/126
D745,706 S *	12/2015	Gosling .....	D25/119
2015/0259866 A1 *	9/2015	McCue .....	E04H 17/14 256/21

(\*\*) Term: **14 Years**

\* cited by examiner

(21) Appl. No.: **29/507,888**  
(22) Filed: **Oct. 31, 2014**  
(51) **LOC (10) Cl.** ..... **25-01**  
(52) **U.S. Cl.**  
USPC ..... **D25/125**  
(58) **Field of Classification Search**  
USPC ..... D25/38.1, 39, 40, 41.1, 43, 44, 55, 102,  
D25/117, 119-124, 126, 133, 136, 138, 141,  
D25/148, 164; D20/42, 43, 44; D34/35;  
D8/395, 396; 52/86, 88, 272, 273,  
52/285.3, 287.1  
CPC .. E06B 3/5454; E06B 3/66366; E06B 3/667;  
E06B 2003/66395; E06B 2003/625; E04B  
2/03  
See application file for complete search history.

*Primary Examiner* — Cynthia Ramirez  
*Assistant Examiner* — Llorellys Martinez-Rivera  
(74) *Attorney, Agent, or Firm* — Occhiuti & Rohlicek  
LLP

(56) **References Cited**

U.S. PATENT DOCUMENTS

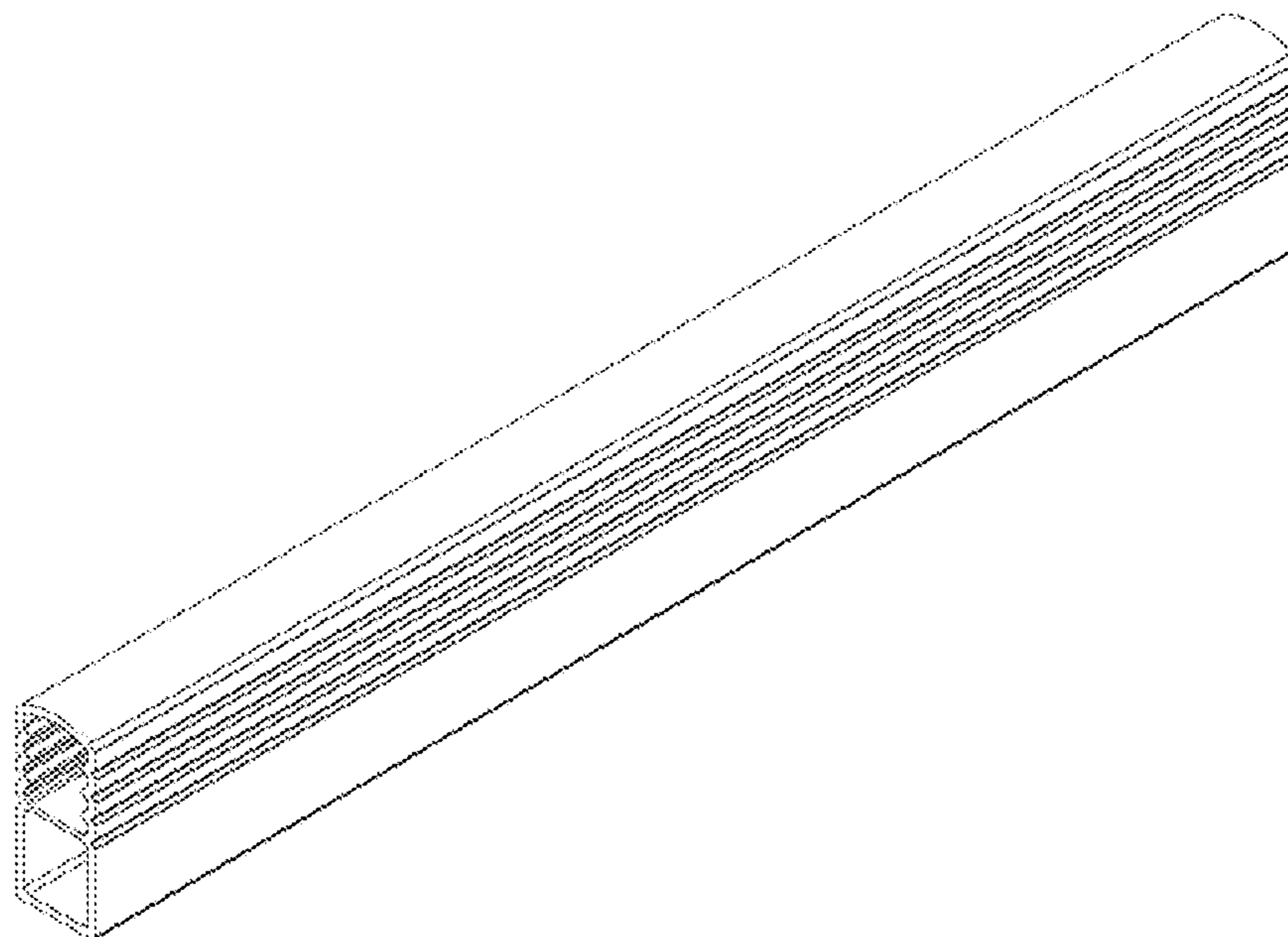
D91,692 S \* 3/1934 Stuart ..... D25/122  
D233,033 S \* 10/1974 Donné ..... D25/122

(57) **CLAIM**  
The ornamental design for an extruded rail, as shown and described.

**DESCRIPTION**

FIG. 1 is a perspective view of an extruded rail showing our new design;  
FIG. 2 is a left side elevation view thereof, the right side elevation view being a mirror image thereof; and,  
FIG. 3 is a front elevation view thereof, the rear elevation view being a mirror image thereof.

**1 Claim, 2 Drawing Sheets**



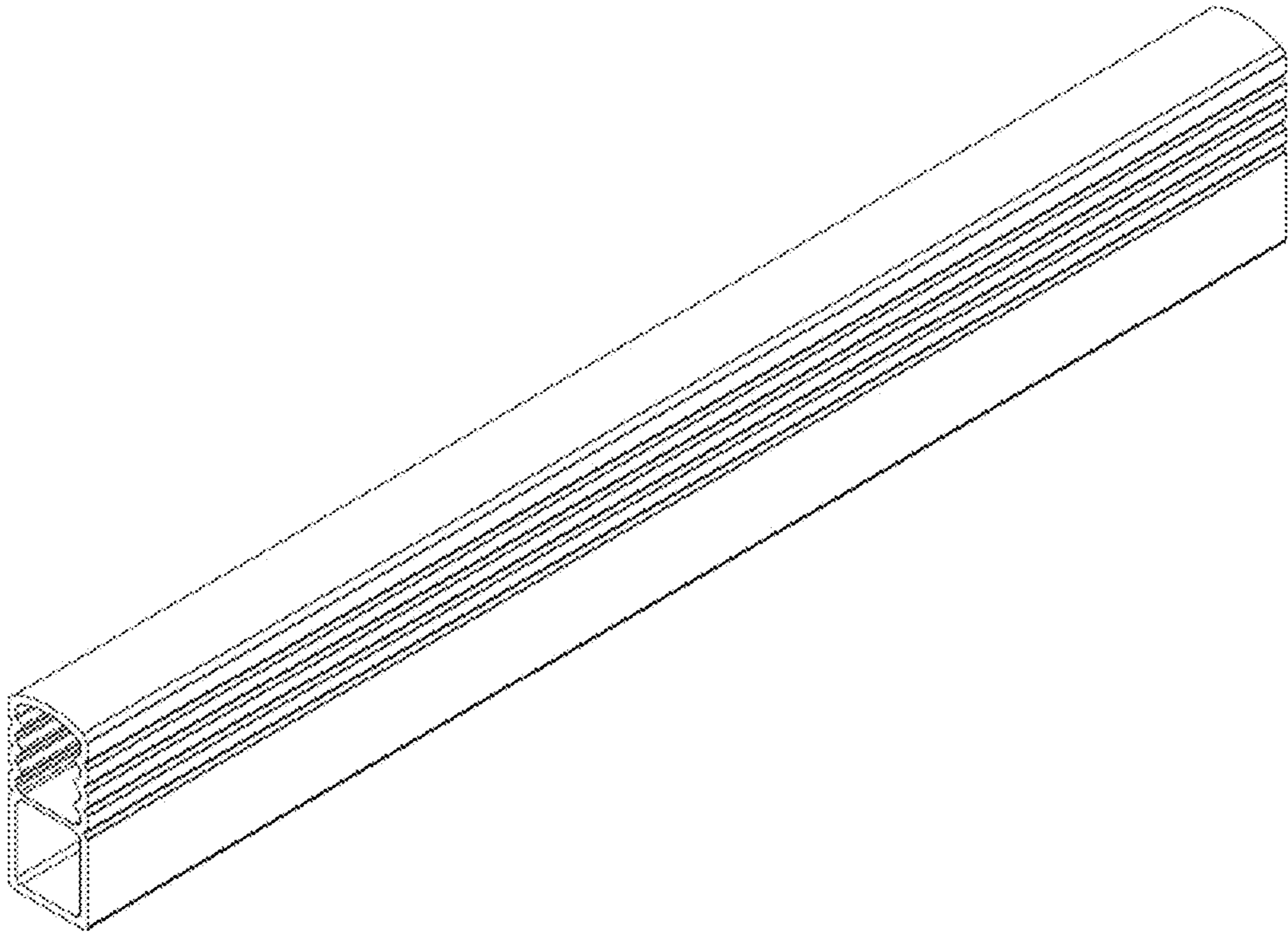


FIG. 1

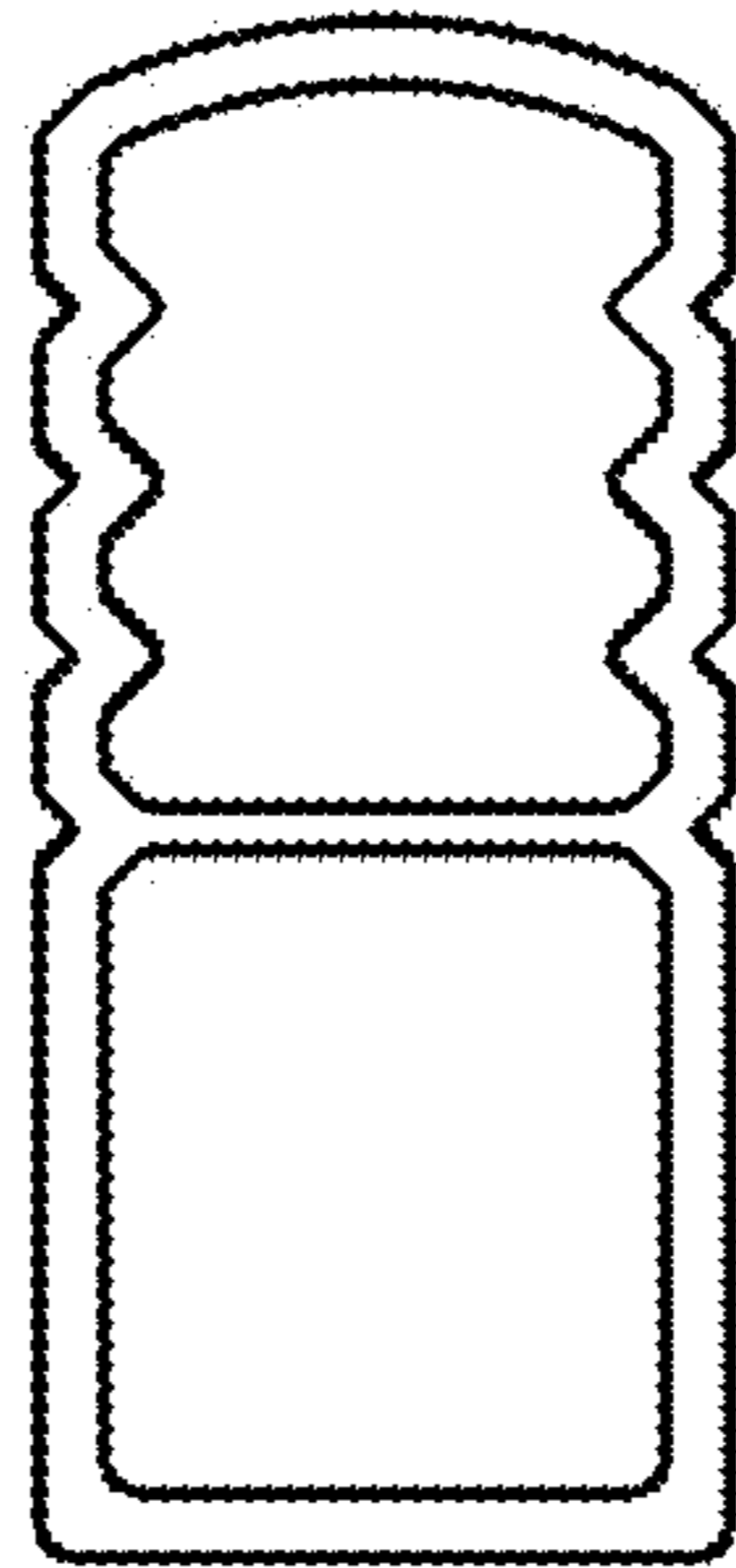


FIG. 2

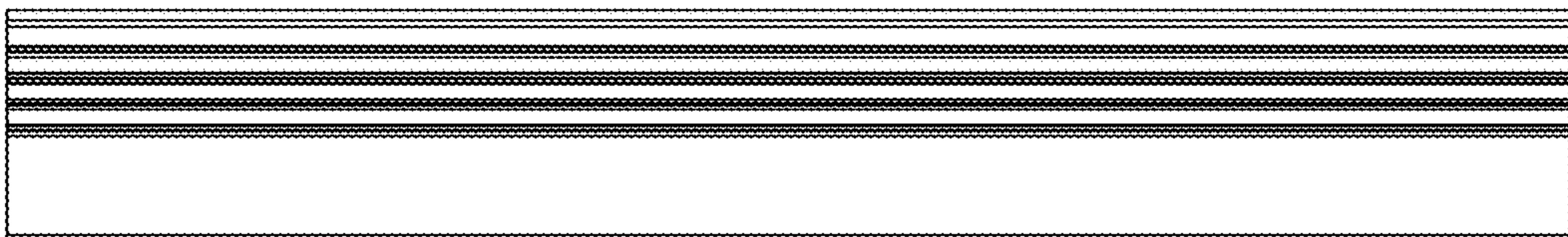


FIG. 3