



US00D771276S

(12) **United States Design Patent** (10) **Patent No.:** **US D771,276 S**
Walker et al. (45) **Date of Patent:** **** Nov. 8, 2016**

(54) **RAIL**

FOREIGN PATENT DOCUMENTS

(71) Applicant: **Peak Innovations Inc.**, Richmond (CA)
(72) Inventors: **Simon Walker**, Delta (CA); **Craig Raymond Lawson**, Burnaby (CA)

CA	2848571	*	10/2015	A47K 17/02
CN	101076487	*	11/2007	B65G 15/00
CN	101700851	*	2/2010	B66B 23/24

(73) Assignee: **Peak Innovations Inc.**, Richmond, BC (CA)

OTHER PUBLICATIONS

(**) Term: **14 Years**

Bishop-Wisecarver UTTS3G0720, Grainger, [online], [site visited Aug. 26, 2016]. <URL: https://www.grainger.com/product/2NCY2??cm_mmc=Affiliate-_-Power%20Transmission-_-{subid}-_-productfeed&avad=196442_ac0c3f33>.*

(21) Appl. No.: **29/510,064**

(Continued)

(22) Filed: **Nov. 24, 2014**

(51) **LOC (10) Cl.** **25-02**

(52) **U.S. Cl.**
USPC **D25/38.1**; D25/119; D25/123; D25/124

Primary Examiner — T. Chase Nelson

Assistant Examiner — Jonathan J Han

(58) **Field of Classification Search**

USPC D25/38.1, 126, 35, 119, 47, 49, 123, 48, D25/60, 121, 122, 124, 125, 120, 136, 52, D25/102, 61, 1, 43; 52/191, 730, 731, 738, 52/732, 243.1, 823, 795, 579, 474, 475, 52/476, 729, 204; 49/501, 504, 505, 502, 49/413; D6/553, 512; 211/86.01, 87.01, 211/89.1, 94.01; D20/10, 40, 43, 44, 99, D20/626, 642.02, 644, 649-652, 658, 661, D20/662; D12/106; D26/480-489, 495, D26/511, 24, 26, 39, 42, 67, 68, 72-75, 79, D26/85-96, 108-129, 138-142; 256/64; D8/377, 376; D13/183, 155; 138/156-159; 174/68.1, 68.3, 250, 174/254; 347/42, 49, 50; 362/217.05, 362/217.1, 240, 341
CPC B66B 23/24; B65G 15/00; A47K 17/02; E04F 11/18

(74) *Attorney, Agent, or Firm* — Smiths IP

See application file for complete search history.

(57) **CLAIM**

The ornamental design for a rail, as shown and described.

DESCRIPTION

FIG. 1 is a perspective view of a rail showing our new design;
FIG. 2 is a top view of the rail shown in FIG. 1;
FIG. 3 is a left side view of the rail shown in FIG. 1, the right side view being identical;
FIG. 4 is a bottom view of the rail shown in FIG. 1; and,
FIG. 5 is a front view of the rail shown in FIG. 1, the rear view being identical. The broken away symbols in the drawings for FIGS. 1 to 4 indicate that any portion of the article between the breakaway symbols shown forms no part of the claimed design.

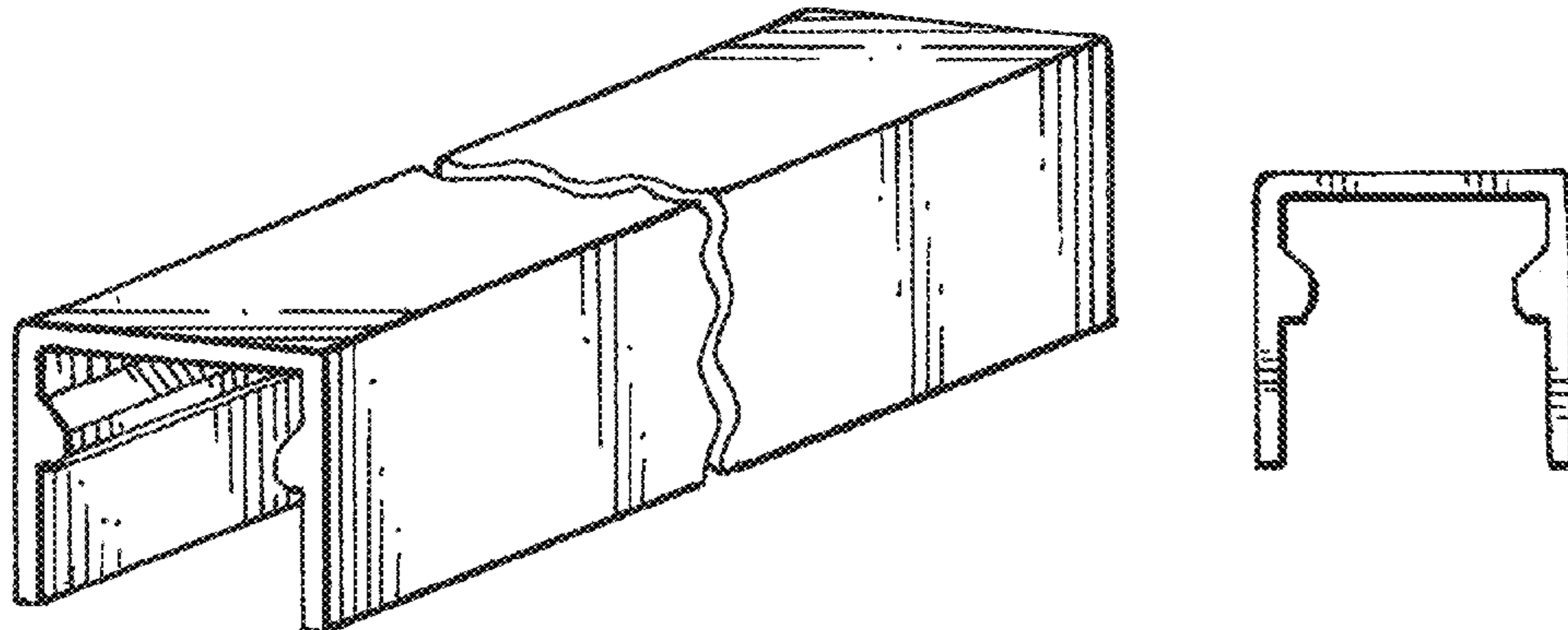
(56) **References Cited**

U.S. PATENT DOCUMENTS

1,277,319	A *	8/1918	Joice	E04F 15/02 52/578
2,743,980	A *	5/1956	Hobbs	A47B 13/083 52/782.2

(Continued)

1 Claim, 1 Drawing Sheet



(56)

References Cited

U.S. PATENT DOCUMENTS

D251,507 S * 4/1979 Maricic D12/159
 D258,912 S * 4/1981 Dallaire D25/123
 D259,364 S * 5/1981 Poth D25/124
 D259,512 S * 6/1981 Hallen D25/119
 D260,181 S * 8/1981 Dallaire D25/119
 D260,182 S * 8/1981 Dallaire D25/124
 D261,310 S * 10/1981 Schmidt D25/124
 D261,311 S * 10/1981 Schmidt D25/124
 D261,312 S * 10/1981 Schmidt D25/119
 D261,313 S * 10/1981 Schmidt D25/119
 D261,316 S * 10/1981 Schmidt D25/119
 D262,059 S * 11/1981 Bittner D25/119
 D270,667 S * 9/1983 Cascone D25/122
 D276,656 S * 12/1984 Lindstrom D25/119
 D305,366 S * 1/1990 Ripley D25/119
 D306,078 S * 2/1990 Whitney D25/119
 D309,817 S * 8/1990 Burkett D34/29
 D310,376 S * 9/1990 Johnsen D15/140
 D313,858 S * 1/1991 Whitney D25/119
 D314,438 S * 2/1991 Meyers D25/11
 D318,742 S * 7/1991 Miller D13/155
 D327,747 S * 7/1992 Wilkening D25/136
 D330,431 S * 10/1992 Wang D25/119
 D335,826 S * 5/1993 Jopt D10/46
 D344,807 S * 3/1994 Abbatichio D25/136
 D346,034 S * 4/1994 Bancroft D25/124
 D346,767 S * 5/1994 Fujita D12/50
 D348,525 S * 7/1994 Dallaire D25/123
 D353,209 S * 12/1994 Dallaire D25/123
 D358,982 S * 6/1995 Bosgoed D25/122
 D362,656 S * 9/1995 Roos D13/134
 D404,151 S * 1/1999 Reichel D25/131
 D415,287 S * 10/1999 Davis D25/38.1
 D419,858 S * 2/2000 Bosgoed D25/121
 D430,699 S * 9/2000 Coleman, Jr. D26/138
 D461,568 S * 8/2002 Forbis D25/121
 D461,914 S * 8/2002 Hughes D25/122
 D477,805 S * 7/2003 LaBelle D12/223
 D488,055 S * 4/2004 Ter Braak D8/377
 D489,209 S * 5/2004 Goldberg D25/119
 D506,381 S * 6/2005 Lu D8/349
 D535,404 S * 1/2007 Bordewyk D25/38.1
 D536,098 S * 1/2007 Walker D25/38.1
 D544,408 S * 6/2007 Weekes D12/106
 D548,363 S * 8/2007 Hein D25/38.1
 D551,774 S * 9/2007 McGinness D25/135
 D562,992 S * 2/2008 Szczekocki D25/121
 D577,149 S * 9/2008 Gordin D26/155
 D600,401 S * 9/2009 Varrin D26/138
 D609,820 S * 2/2010 Clarke D25/38.1
 D611,169 S * 3/2010 Harder D25/122
 D612,533 S * 3/2010 Kim D26/138
 D616,035 S * 5/2010 Kosir D20/44

D621,091 S * 8/2010 Klu D26/138
 D621,542 S * 8/2010 Klus D26/138
 D623,342 S * 9/2010 Klu D26/138
 D623,343 S * 9/2010 Kluś D26/138
 D625,463 S * 10/2010 Klus D26/138
 D632,114 S * 2/2011 Roenick D6/553
 D632,836 S * 2/2011 Kuchar D26/128
 D649,680 S * 11/2011 Trzesniowski D26/138
 D649,681 S * 11/2011 Trzesniowski D26/138
 D649,682 S * 11/2011 Trzesniowski D26/138
 D649,683 S * 11/2011 Trzesniowski D26/138
 D649,687 S * 11/2011 Trzesniowski D26/138
 D649,691 S * 11/2011 Trzesniowski D26/138
 D649,692 S * 11/2011 Trzesniowski D26/138
 D650,113 S * 10/2011 Rudek D26/118
 D661,813 S * 6/2012 Walker D25/38.1
 D663,068 S * 7/2012 Hochman D26/138
 D669,045 S * 10/2012 Kajiya D13/182
 D669,046 S * 10/2012 Kajiya D13/182
 D687,248 S * 8/2013 Huston D6/580
 D695,221 S * 12/2013 Lamouree D13/122
 D696,814 S * 12/2013 Matus, Jr. D26/138
 D698,075 S * 1/2014 Klus D26/138
 D703,518 S * 4/2014 Lapping D8/376
 D705,945 S * 5/2014 Dixon D25/121
 D718,884 S * 12/2014 Thrush D25/125
 D720,476 S * 12/2014 Ross D25/121
 D720,477 S * 12/2014 Ross D25/121
 D724,240 S * 3/2015 Ross D25/121
 D724,256 S * 3/2015 Klus D26/141
 D724,259 S * 3/2015 Klus D26/141
 D724,260 S * 3/2015 Klus D26/141
 D755,988 S * 5/2016 Walker D25/119
 D764,140 S * 8/2016 Holzhaeuser D25/124
 D764,378 S * 8/2016 Conrad D12/317
 D764,379 S * 8/2016 Conrad D12/317
 D764,380 S * 8/2016 Conrad D12/317
 D765,009 S * 8/2016 Conrad D12/317
 2008/0256897 A1 * 10/2008 Lowry E06B 3/88
 52/800.13
 2015/0292212 A1 * 10/2015 Walker E04F 11/1808
 256/62

OTHER PUBLICATIONS

Anodized Aluminum C Channel Meat Rail, Fridgetrader.com, [online], [site visited Aug. 26, 2016]. <URL: <http://www.fridgetrader.co.uk/Anodized-Aluminium-C-Channel-Meat-Rail-7000mm-52mm-x-40mm>>.*
 Thickening aluminum alloy sliding door sliding door pulley hanging rail folding door quieten guide rail hanging round slide 10cm, DHgate.com, [online], [site visited Aug. 26, 2016]. <URL: <http://www.dhgate.com/store/product/thickening-aluminum-alloy-sliding-door-sliding/175518395.html>>.*

* cited by examiner

FIG. 1

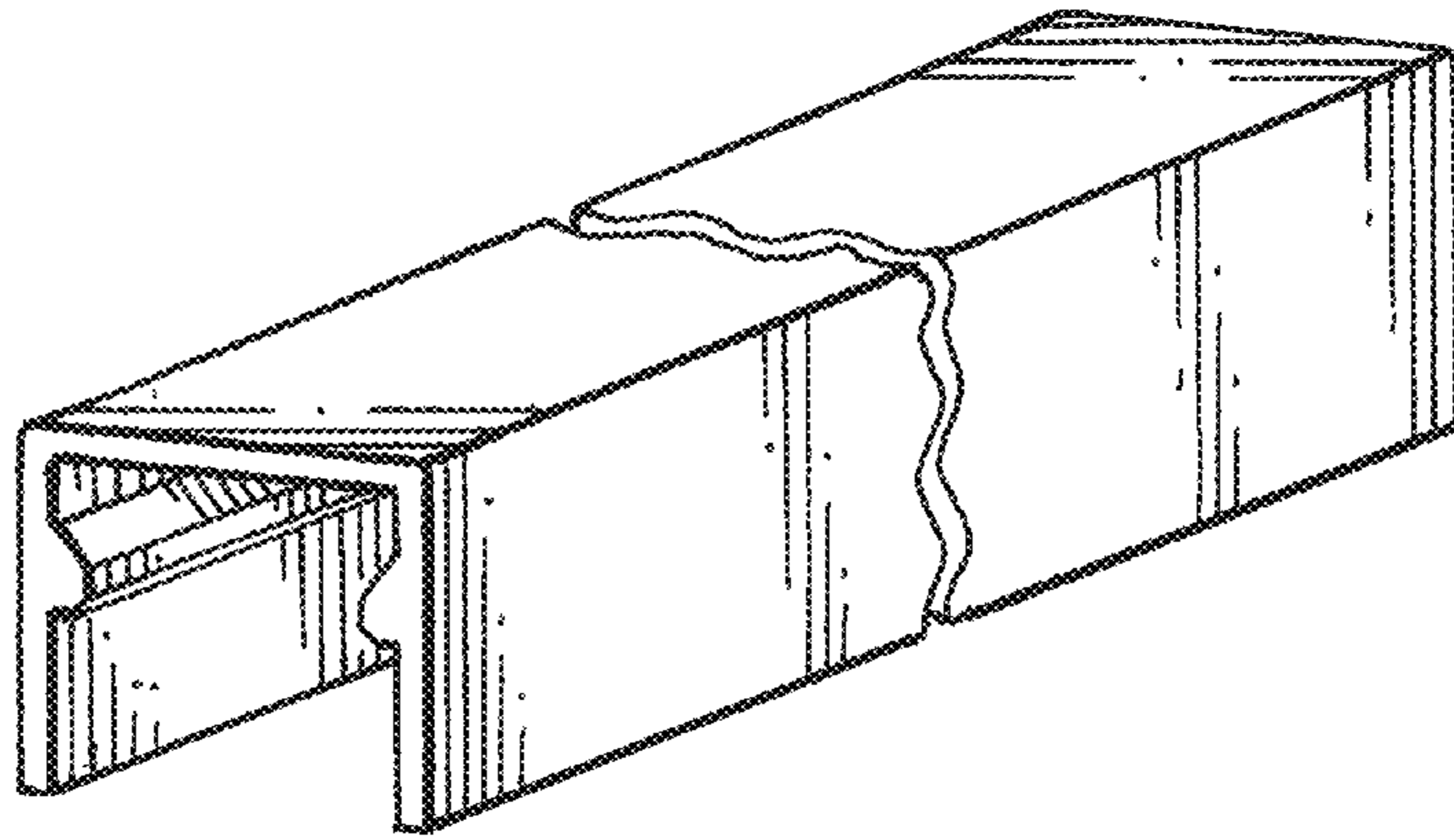


FIG. 2

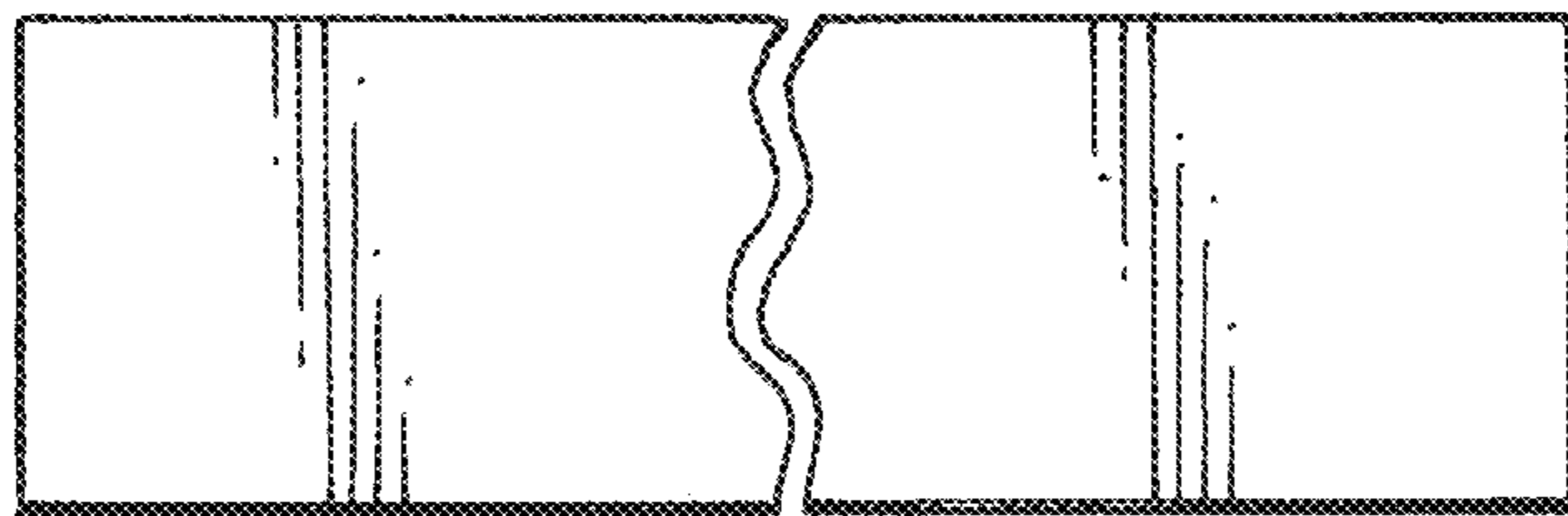


FIG. 3

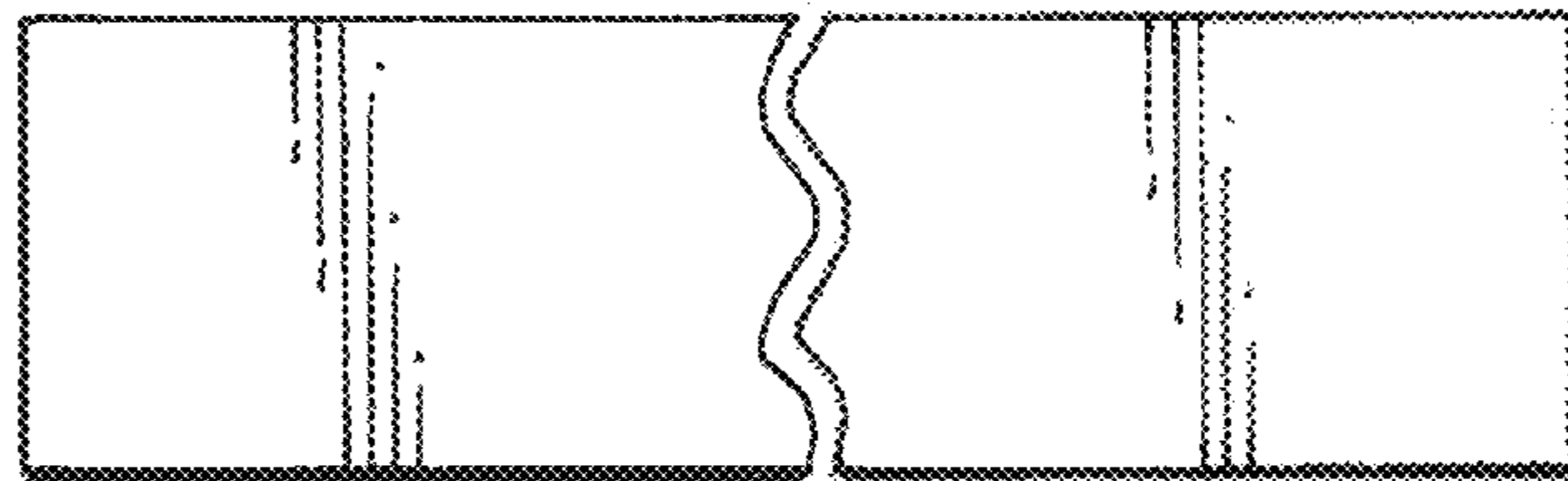


FIG. 4

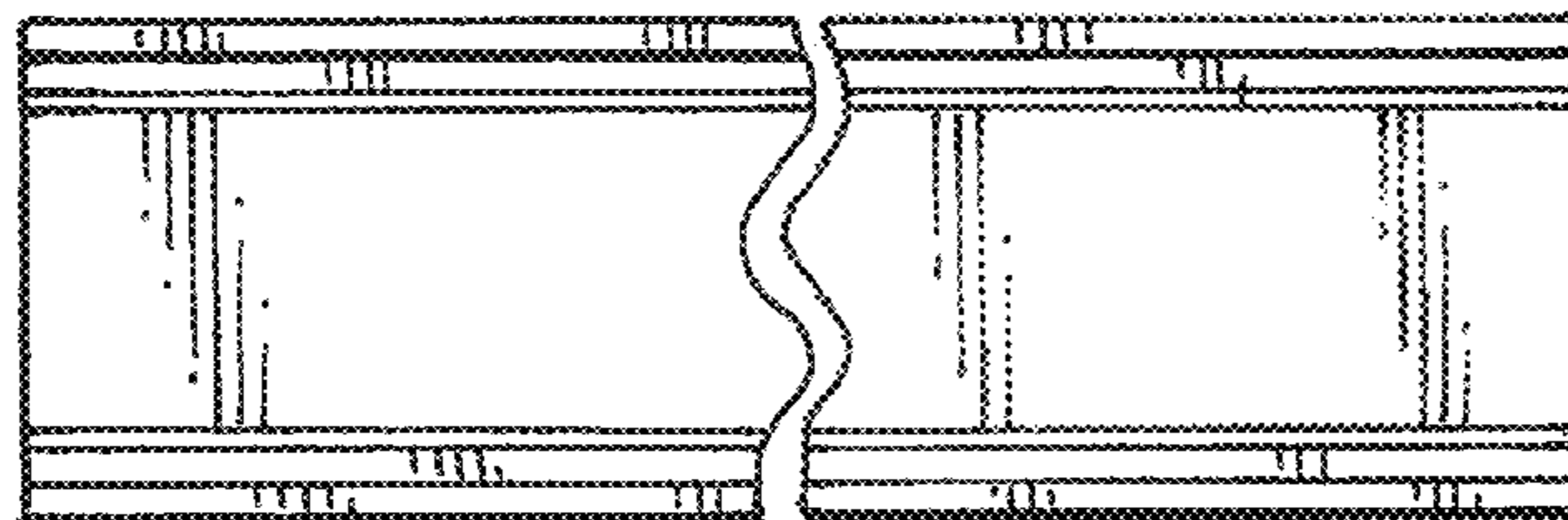


FIG. 5

