



US00D771275S

(12) **United States Design Patent**
Yarter

(10) **Patent No.:** **US D771,275 S**

(45) **Date of Patent:** **** Nov. 8, 2016**

(54) **INTERMODAL MOBILE STORAGE CONTAINER**

(71) Applicant: **INTERMOBILE CONTAINER LLC**,
Las Vegas, NV (US)

(72) Inventor: **Donnell Lee Yarter**, Bountiful, UT
(US)

(73) Assignee: **Intermobile Container LLC**, Las
Vegas, NV (US)

(**) Term: **14 Years**

(21) Appl. No.: **29/522,463**

(22) Filed: **Mar. 31, 2015**

(51) **LOC (10) Cl.** **12-05**

(52) **U.S. Cl.**
USPC **D25/28; D12/41**

(58) **Field of Classification Search**
USPC D25/1, 4, 14-18, 22-34; D34/28, 38;
D12/101-106, 41; D3/272; 220/1.5
CPC B65D 88/128; B65D 88/32; B65D 88/30;
B65D 88/26
See application file for complete search history.

(56) **References Cited**

U.S. PATENT DOCUMENTS

- 150,894 A * 5/1874 Safely B61D 3/06
105/243
- 1,282,183 A * 10/1918 Brown B61D 7/26
D12/41
- 2,299,702 A * 10/1942 Mosel B65D 88/30
220/553
- D201,477 S * 6/1965 Mowatt-Larsen D12/41
- 3,342,352 A * 9/1967 Sackett, Sr. B65G 69/0408
D25/14
- 3,397,654 A * 8/1968 Snyder B61D 7/20
105/305
- 3,712,002 A * 1/1973 Hillinger B65D 88/26
52/197
- 4,065,022 A * 12/1977 Cainaud B65D 88/128
220/1.5

- 4,563,844 A * 1/1986 Driedger B65D 88/28
52/192
- D285,256 S * 8/1986 Connolly D25/1
- D289,625 S * 5/1987 Pavlick D12/41
- 5,290,139 A * 3/1994 Hedrick B65D 88/26
220/1.5
- 6,401,983 B1 * 6/2002 McDonald B65D 88/128
220/1.5
- 7,104,425 B2 * 9/2006 Le Roy B65D 88/128
220/1.5
- 7,350,872 B2 * 4/2008 Wood B60P 1/283
298/18
- 8,083,083 B1 * 12/2011 Mohns B65D 88/30
220/1.5
- 8,261,930 B2 9/2012 Satterfield et al.

(Continued)

OTHER PUBLICATIONS

Internet Printout: The Pass Box (Portable Aggregate Supply System); Synergy Natural Resources, LLC; Mar. 9, 2015; Published: US.

(Continued)

Primary Examiner — Susan Bennett Hattan
Assistant Examiner — Brett Miller
(74) *Attorney, Agent, or Firm* — Dennis D. Brown;
Brown Patent Law, P.L.L.C.

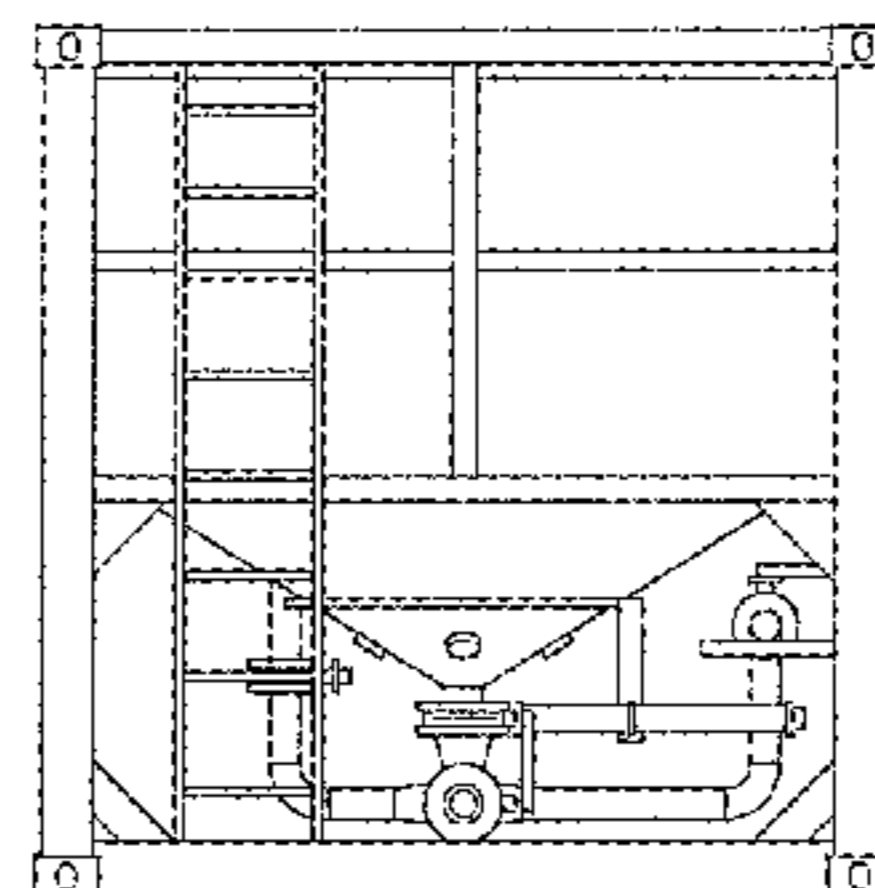
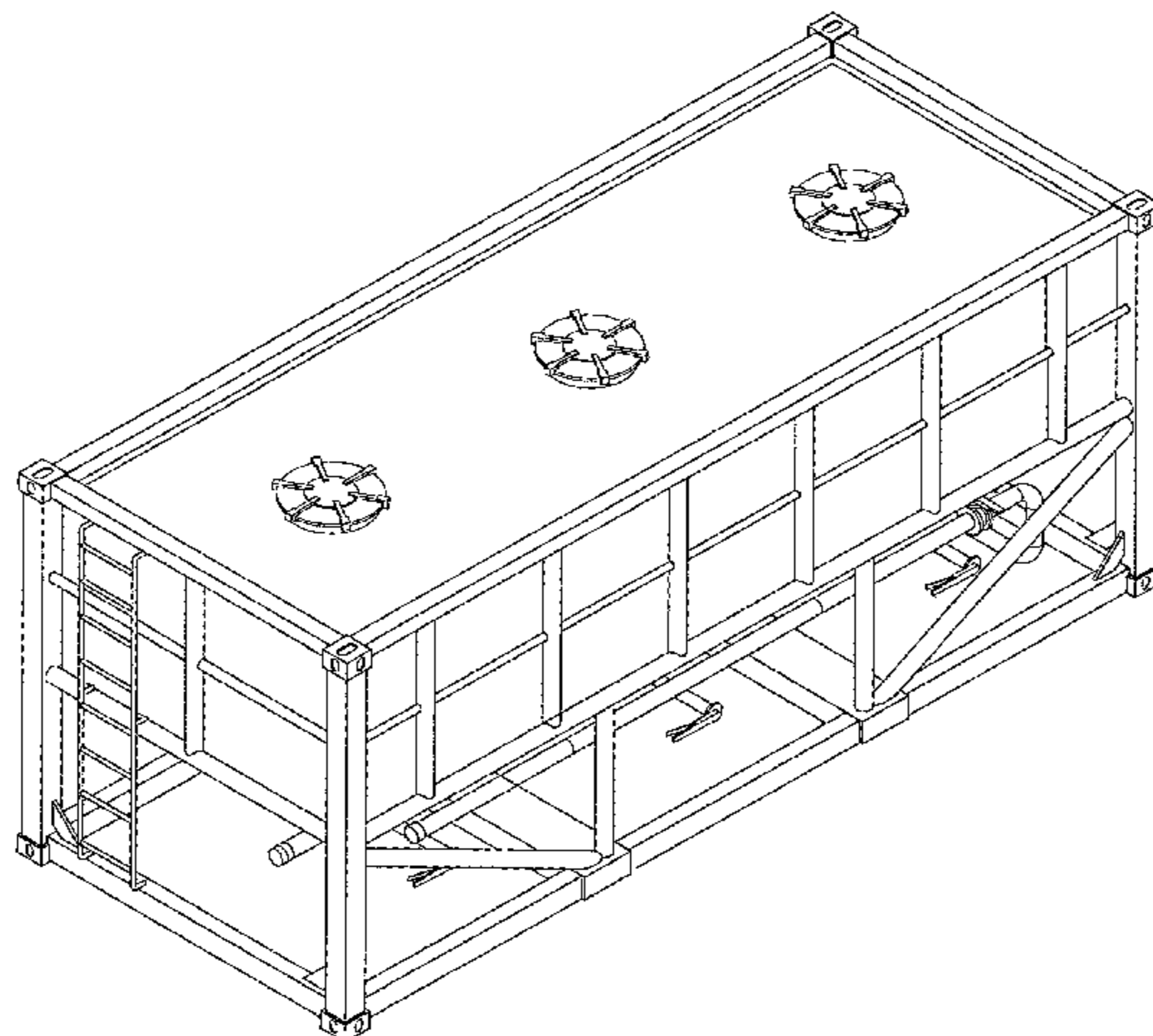
(57) **CLAIM**

The ornamental design of an intermodal mobile storage container, as shown and described.

DESCRIPTION

FIG. 1 is a perspective view of an intermodal mobile storage container illustrating my new design.
FIG. 2 is a front elevational view thereof.
FIG. 3 is a rear elevational view thereof.
FIG. 4 is a left end elevational view thereof.
FIG. 5 is a right end elevational view thereof.
FIG. 6 is a top plan view thereof; and,
FIG. 7 is a bottom view thereof.

1 Claim, 4 Drawing Sheets



(56)

References Cited

U.S. PATENT DOCUMENTS

8,801,041 B2 8/2014 Barrett et al.
9,051,801 B1* 6/2015 Mintz B65D 88/30
D747,588 S * 1/2016 Sheesley D34/28
RE45,914 E * 3/2016 Oren D23/202
2014/0026965 A1 1/2014 Barrett et al.
2014/0083554 A1* 3/2014 Harris B65D 88/32
141/1
2014/0203046 A1* 7/2014 Allegretti B65D 88/26
222/185.1

2014/0286716 A1 9/2014 Cochrum et al.
2015/0291348 A1* 10/2015 Lopez B65D 88/32
220/1.5
2016/0130095 A1* 5/2016 Oren B65D 88/26
414/414

OTHER PUBLICATIONS

Internet Printout: Synergy Natural Resources Receives Funding for
Pass Box Fleet; globenewswire.com; Dec. 8, 2014; Published: US.

* cited by examiner

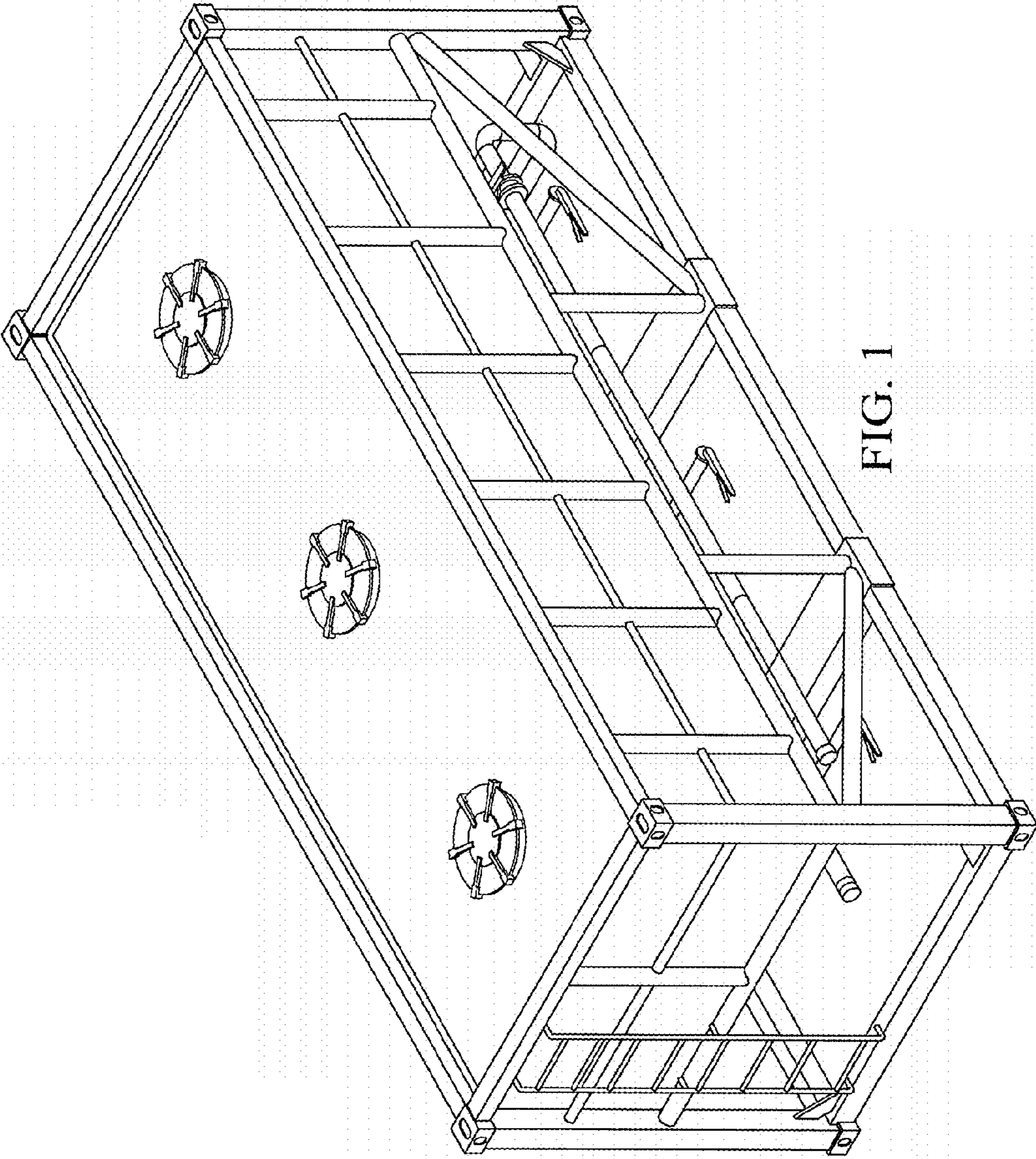


FIG. 1

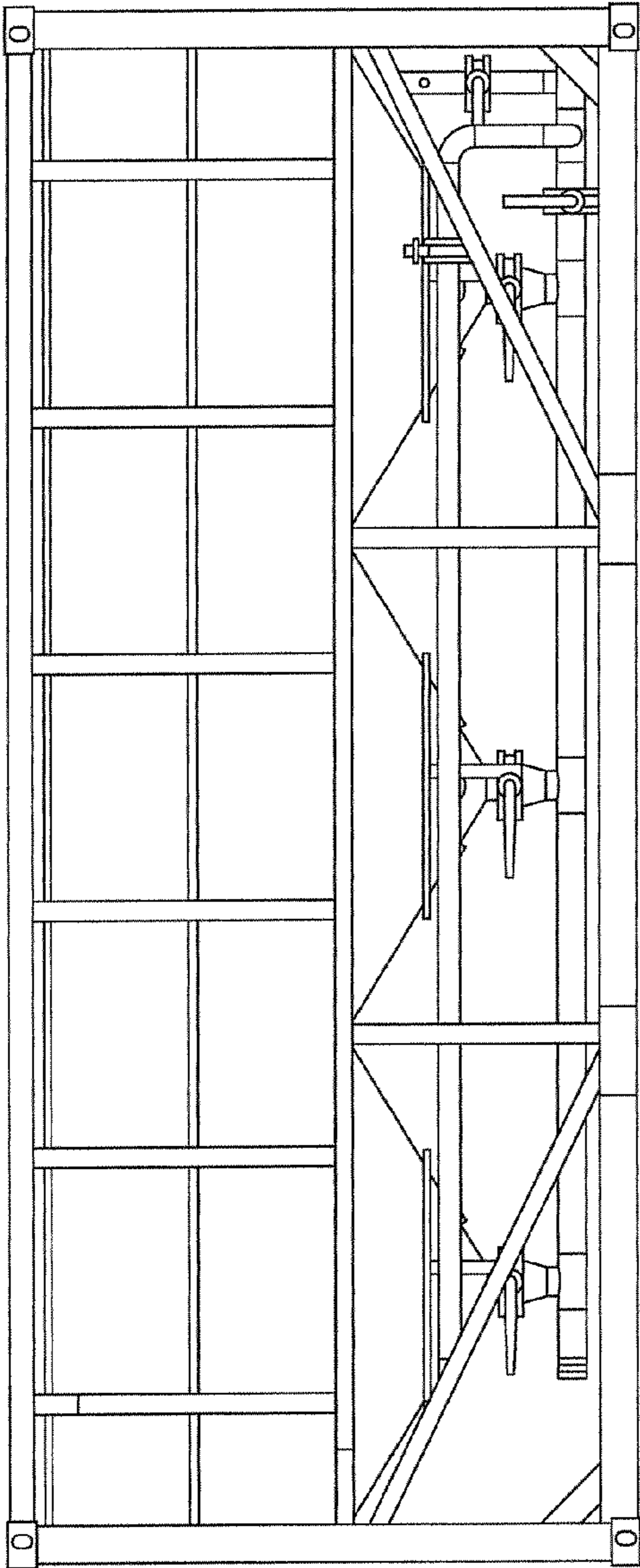


FIG. 2

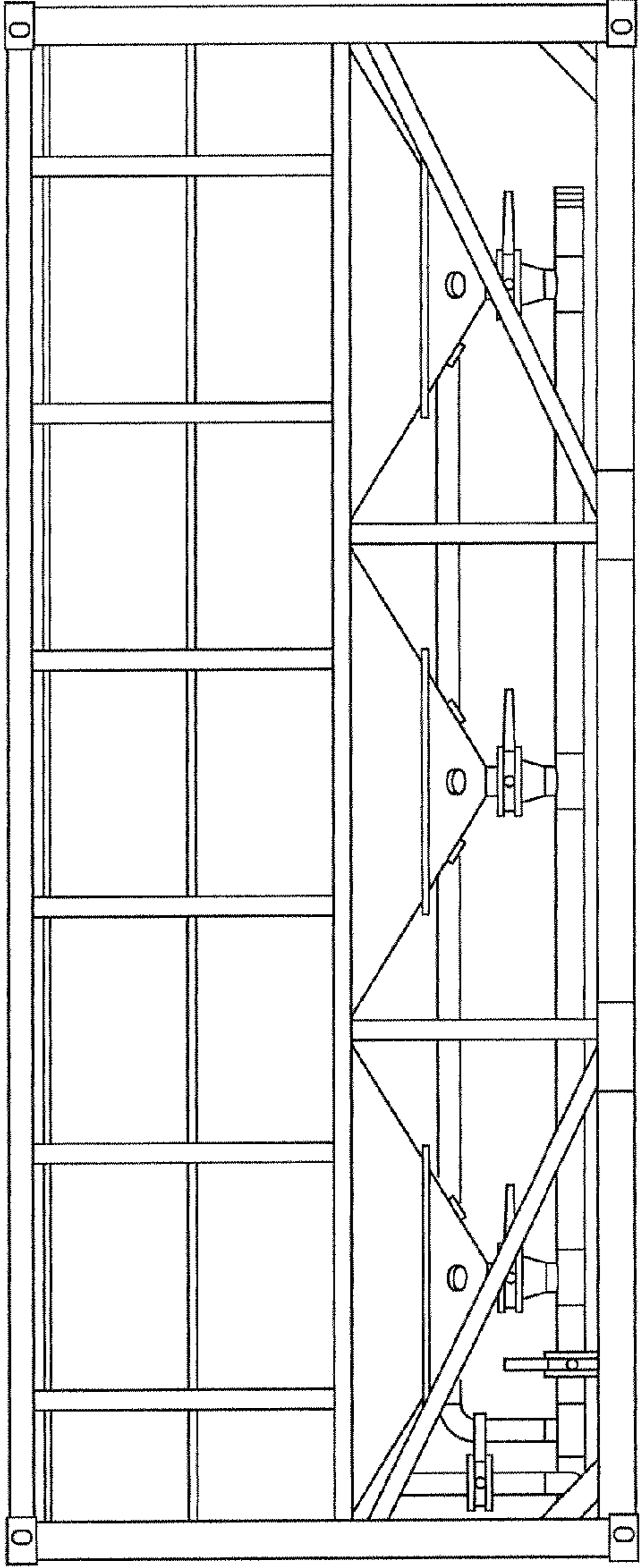


FIG. 3

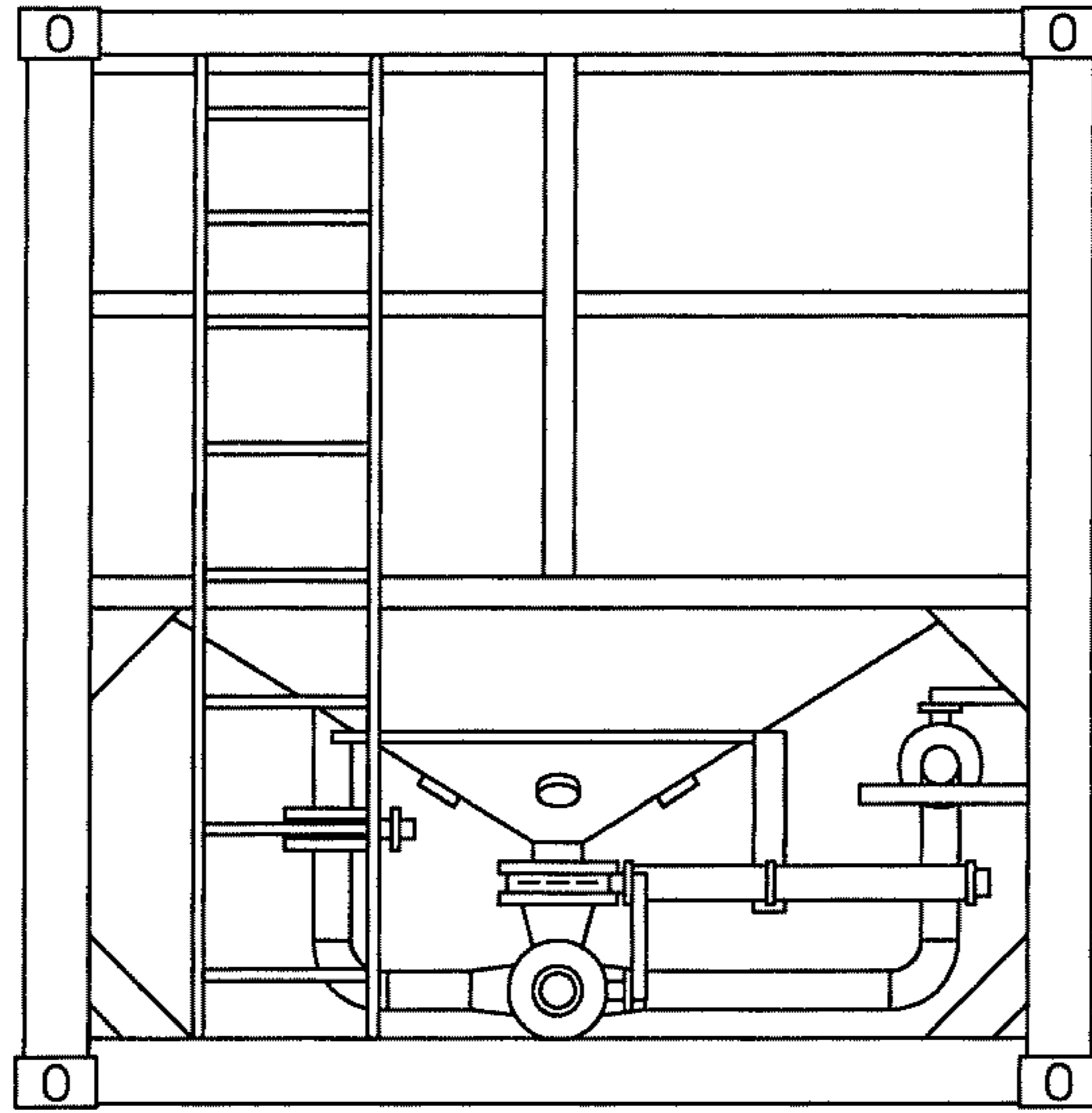


FIG. 4

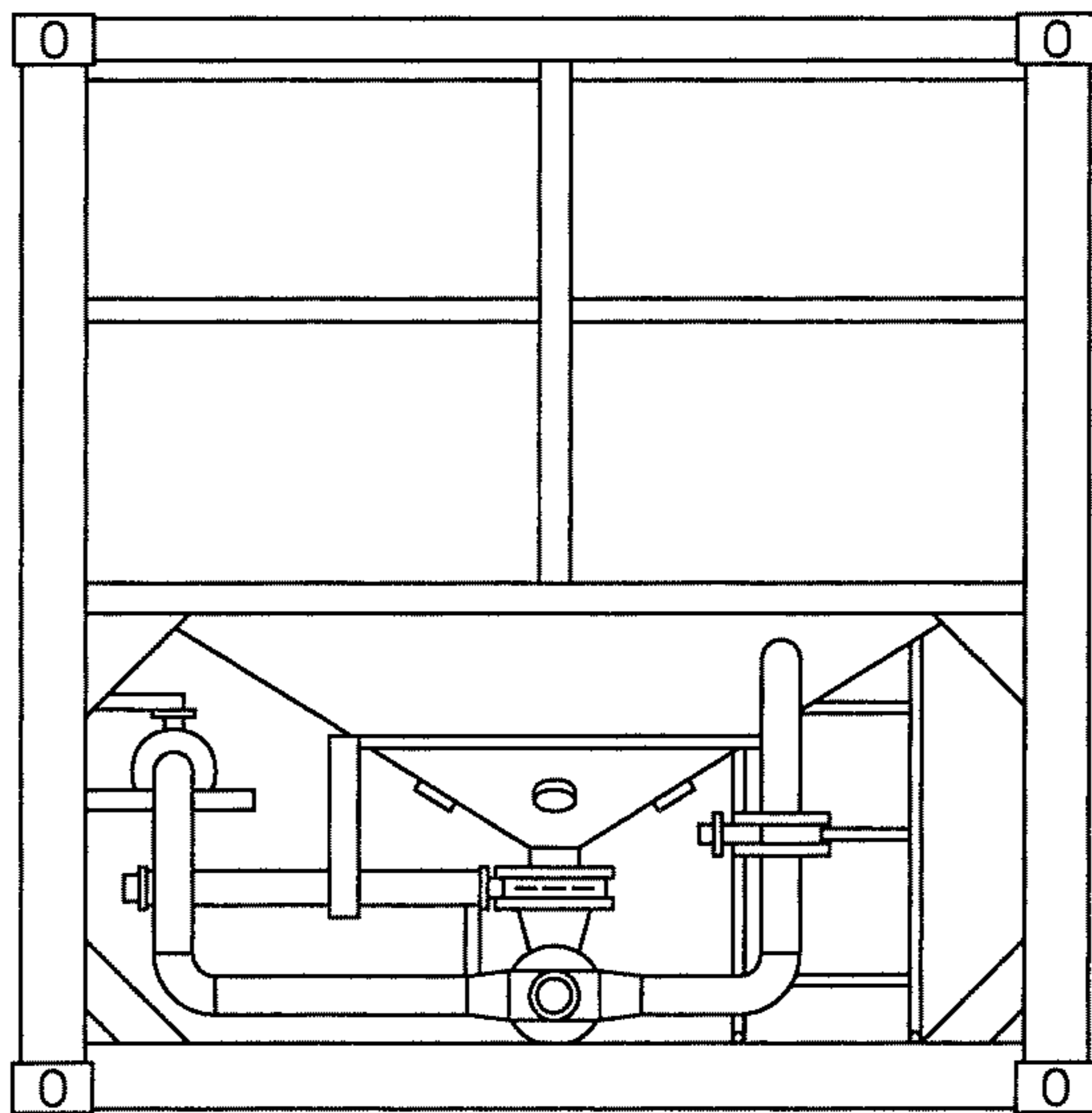


FIG. 5

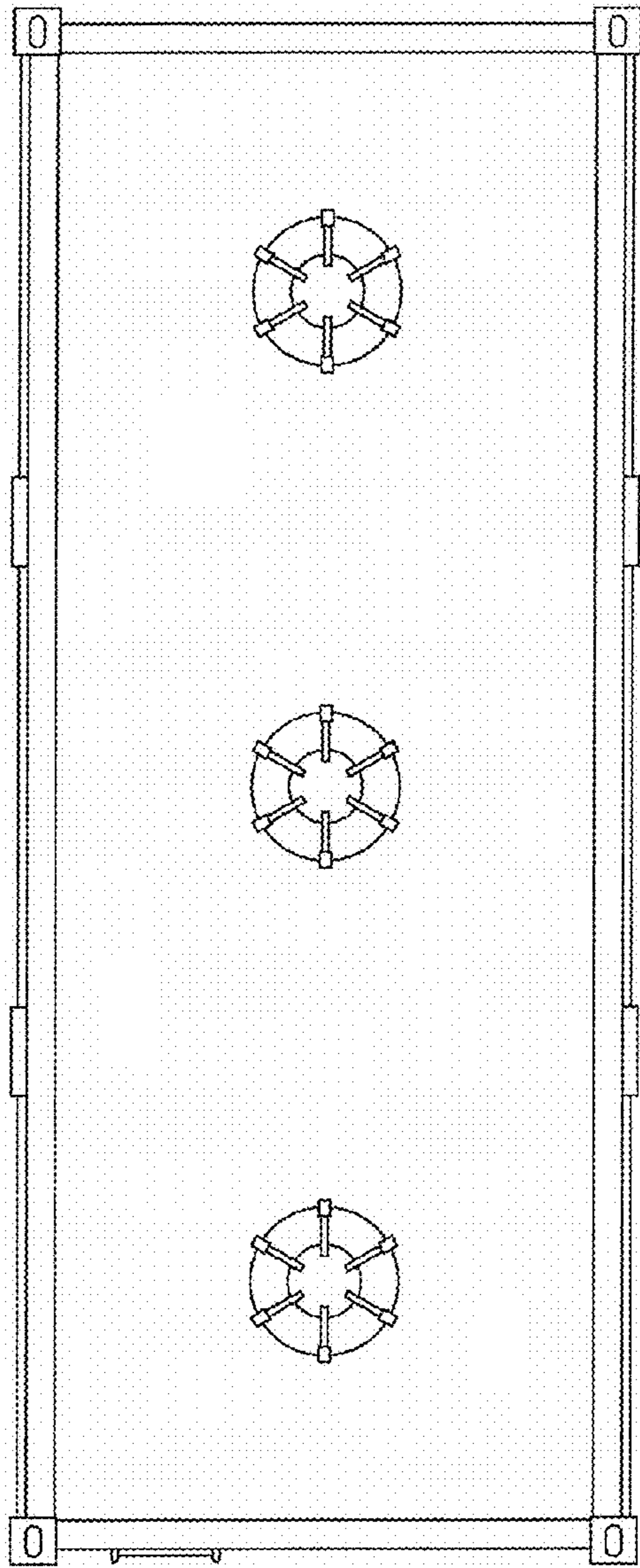


FIG. 6

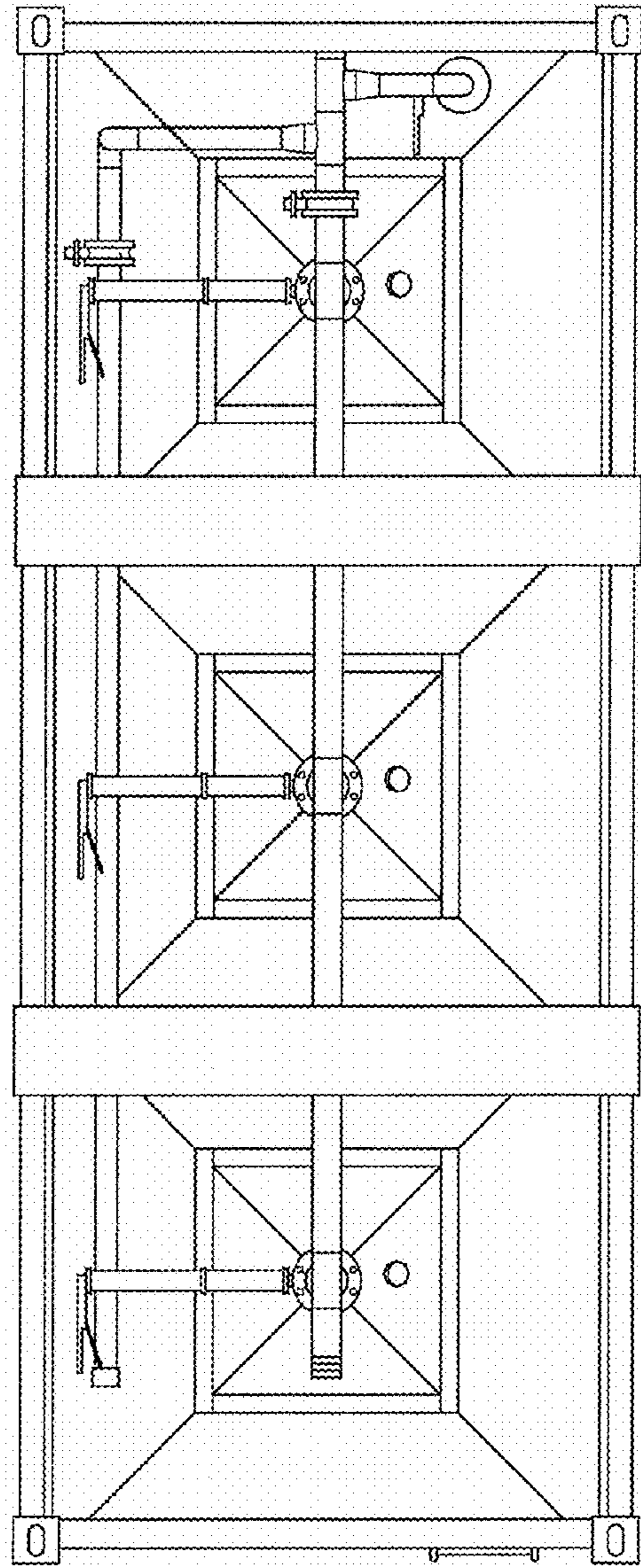


FIG. 7