



US00D771272S

(12) **United States Design Patent** (10) **Patent No.:** **US D771,272 S**
Hart (45) **Date of Patent:** **** Nov. 8, 2016**

(54) **SKID MOUNTED FIRE SUPPRESSION SHACK**
(71) Applicant: **Gordon Hart**, Rocky Mountain House (CA)
(72) Inventor: **Gordon Hart**, Rocky Mountain House (CA)
(**) Term: **14 Years**
(21) Appl. No.: **29/526,474**
(22) Filed: **May 8, 2015**
(51) **LOC (10) Cl.** **25-03**
(52) **U.S. Cl.**
USPC **D25/1; D34/28; D3/272**
(58) **Field of Classification Search**
USPC D25/1, 4, 14-18, 22-34; 52/79.1, 79.5, 52/79.9, 69; D34/28, 38; D12/101-106, D12/403; 296/172-173; D3/272; 220/1.5; D21/834-838
CPC E04H 1/1203; E04H 1/12; E04H 15/001; E04H 15/04; E04H 15/44; E04H 15/30; E04H 9/14; E04H 2001/1283
See application file for complete search history.

D473,052 S * 4/2003 Dehenau D34/38
D546,023 S * 7/2007 Hawes D34/28
D649,261 S * 11/2011 Lucht D25/33
8,530,756 B1 * 9/2013 Winch H05K 9/0001
52/79.1
D740,961 S * 10/2015 Hart D25/16
D745,188 S * 12/2015 Hart D25/16
D745,705 S * 12/2015 Hart D25/1
D746,943 S * 1/2016 Hart D25/16
RE45,914 E * 3/2016 Oren D23/202
2006/0168901 A1 * 8/2006 Window E04B 1/3483
52/79.1
2007/0234651 A1 * 10/2007 Gage E04B 1/02
52/173.2
2009/0266005 A1 * 10/2009 Snel E04B 1/34321
52/79.1
2015/0044012 A1 * 2/2015 Pitts B65D 88/54
220/1.5
2015/0291348 A1 * 10/2015 Lopez B65D 88/027
220/1.5

OTHER PUBLICATIONS

CFire—Combo Fire Supression, Oct. 2, 2014 (Last Modified), <http://www.hartoil.com/cfire-combo-fire-suppression/>.*

* cited by examiner

Primary Examiner — Susan Bennett Hattan
Assistant Examiner — Brett Miller
(74) *Attorney, Agent, or Firm* — Sander R. Gelsing

(57) **CLAIM**
The ornamental design for a skid mounted fire suppression shack, as shown and described.

DESCRIPTION

FIG. 1 is a front view of the skid mounted fire suppression shack;
FIG. 2 is a rear view;
FIG. 3 is a right view;
FIG. 4 is a left view;
FIG. 5 is a top view;
FIG. 6 is a bottom view;
FIG. 7 is a perspective view;
FIG. 8 is another perspective view;
FIG. 9 is another perspective view; and,
FIG. 10 is another perspective view.

1 Claim, 5 Drawing Sheets

(56) **References Cited**

U.S. PATENT DOCUMENTS

2,485,914 A * 10/1949 Owens E04B 1/3444
D25/22
3,023,463 A * 3/1962 Bigelow, Jr. E04B 1/34336
52/94
3,500,595 A * 3/1970 Bennett E04B 1/3483
52/223.5
3,828,964 A * 8/1974 Bonnot B65D 19/18
220/1.5
3,994,105 A * 11/1976 Jamison B32B 3/12
D25/16
D262,997 S * 2/1982 Reynolds D25/1
D295,898 S * 5/1988 Rupp D25/1
D297,619 S * 9/1988 Cheval D3/272
D302,309 S * 7/1989 Fudge D25/16
D325,979 S * 5/1992 Mahler D25/16
D339,870 S * 9/1993 Carlin D25/1

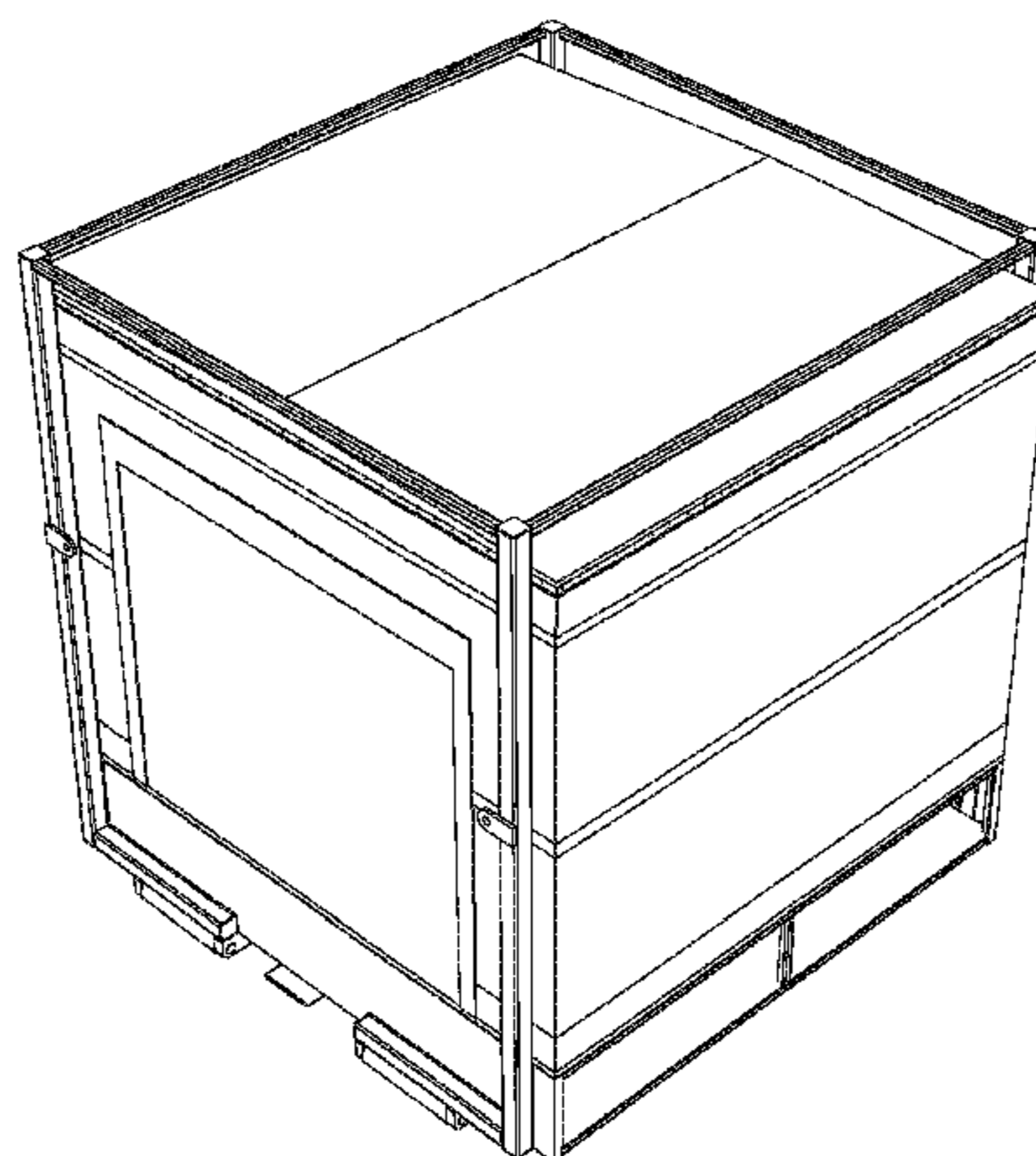


Figure 1

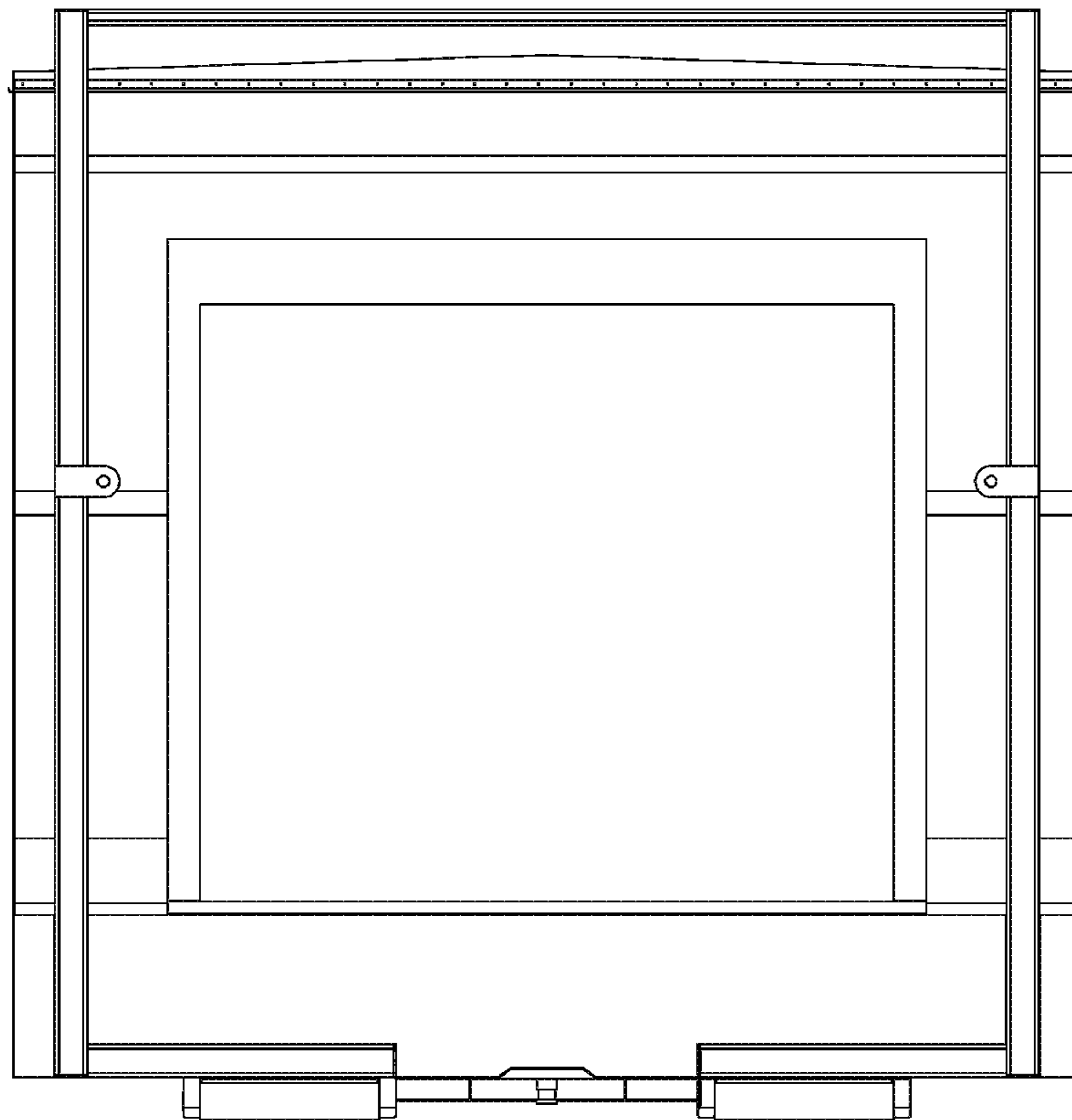


Figure 2

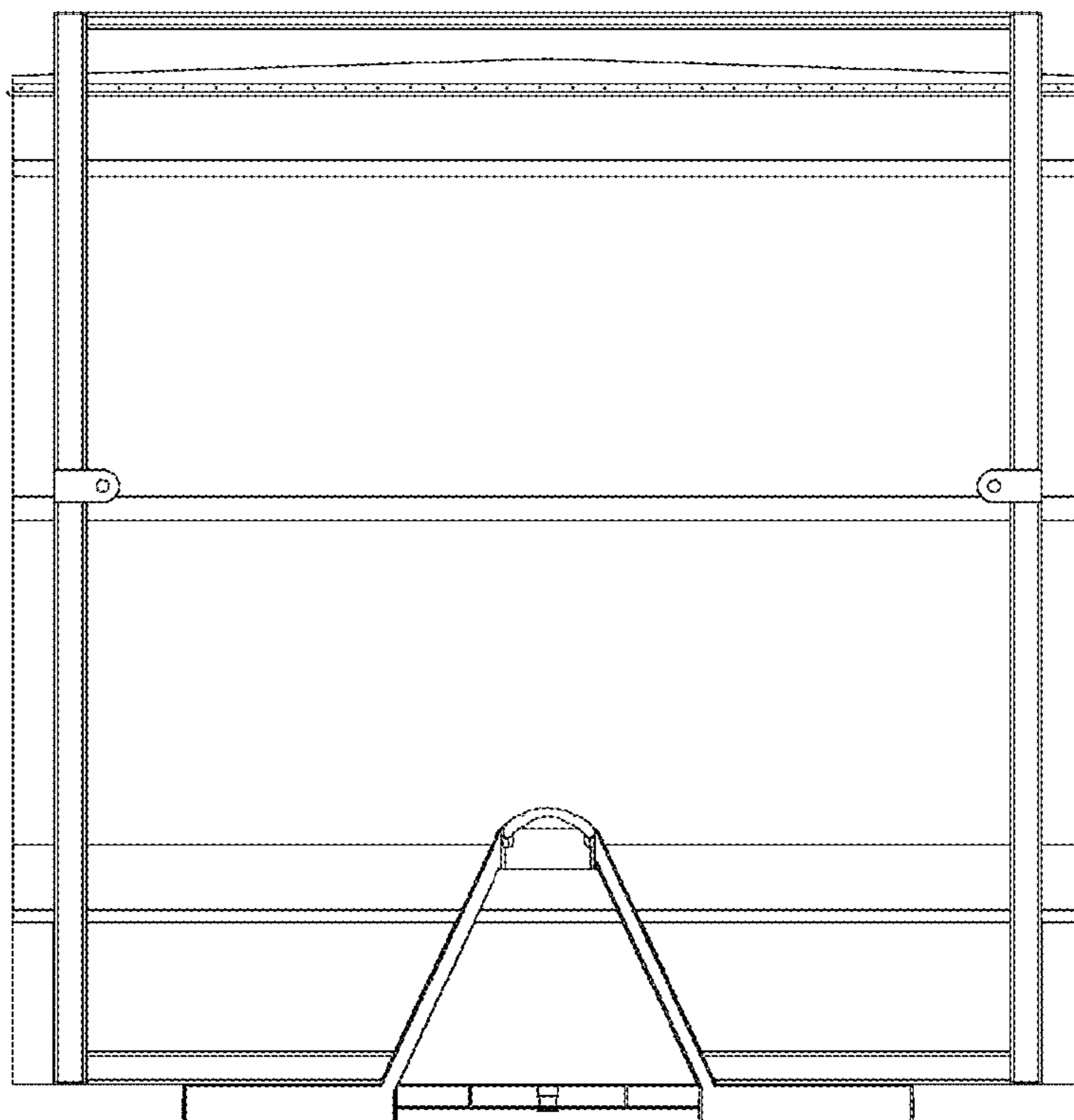


Figure 3

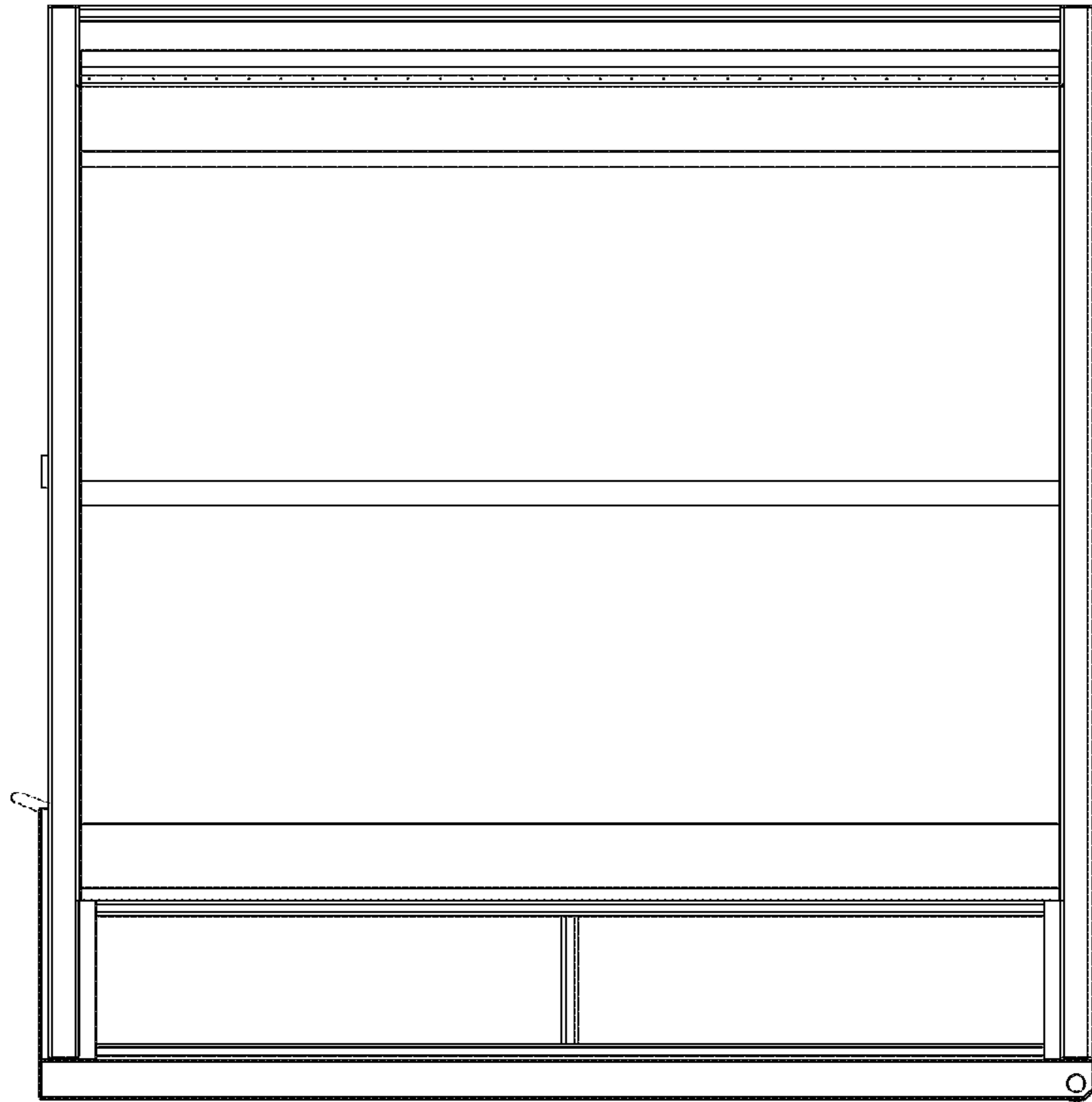


Figure 4

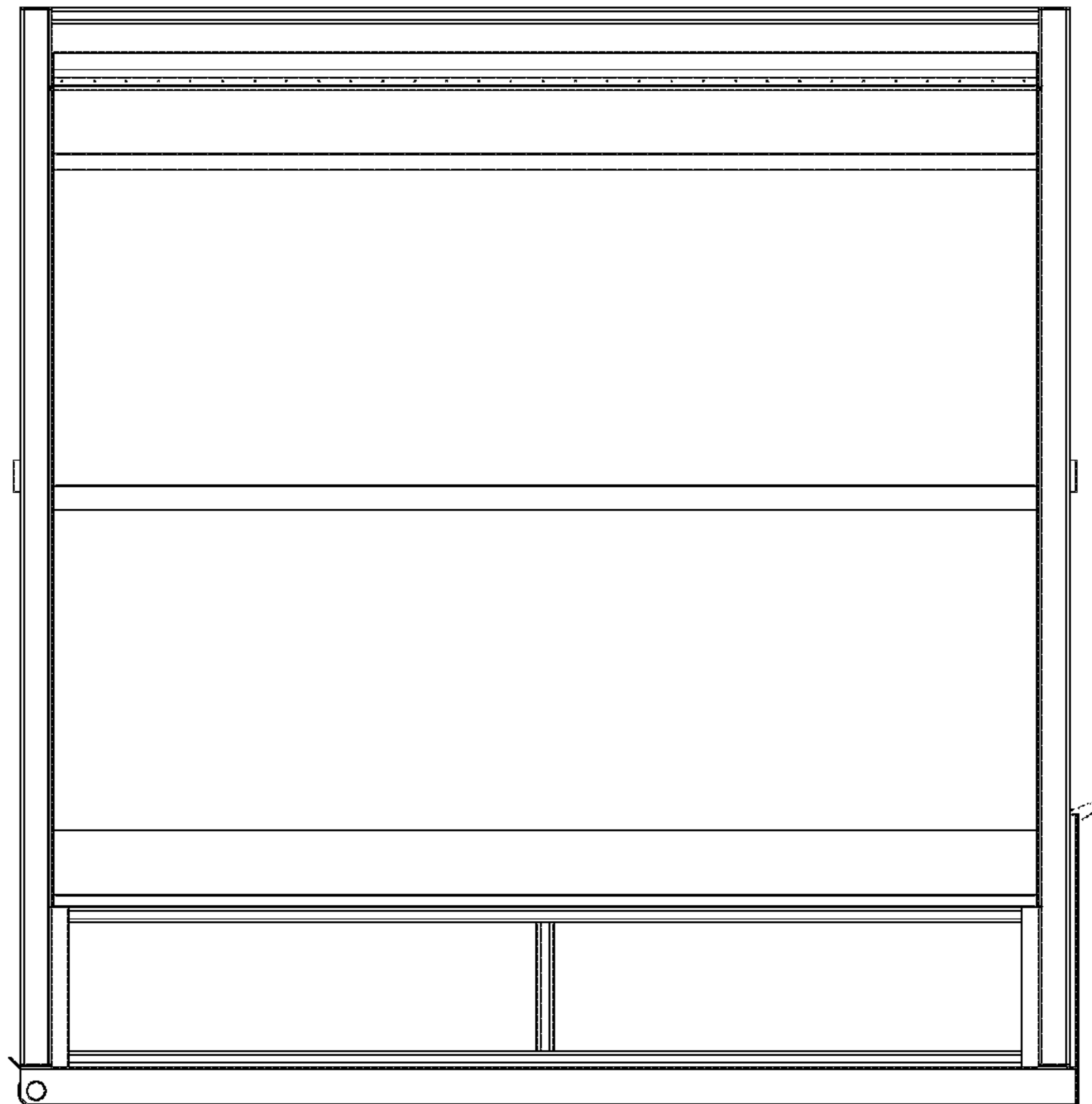


Figure 5

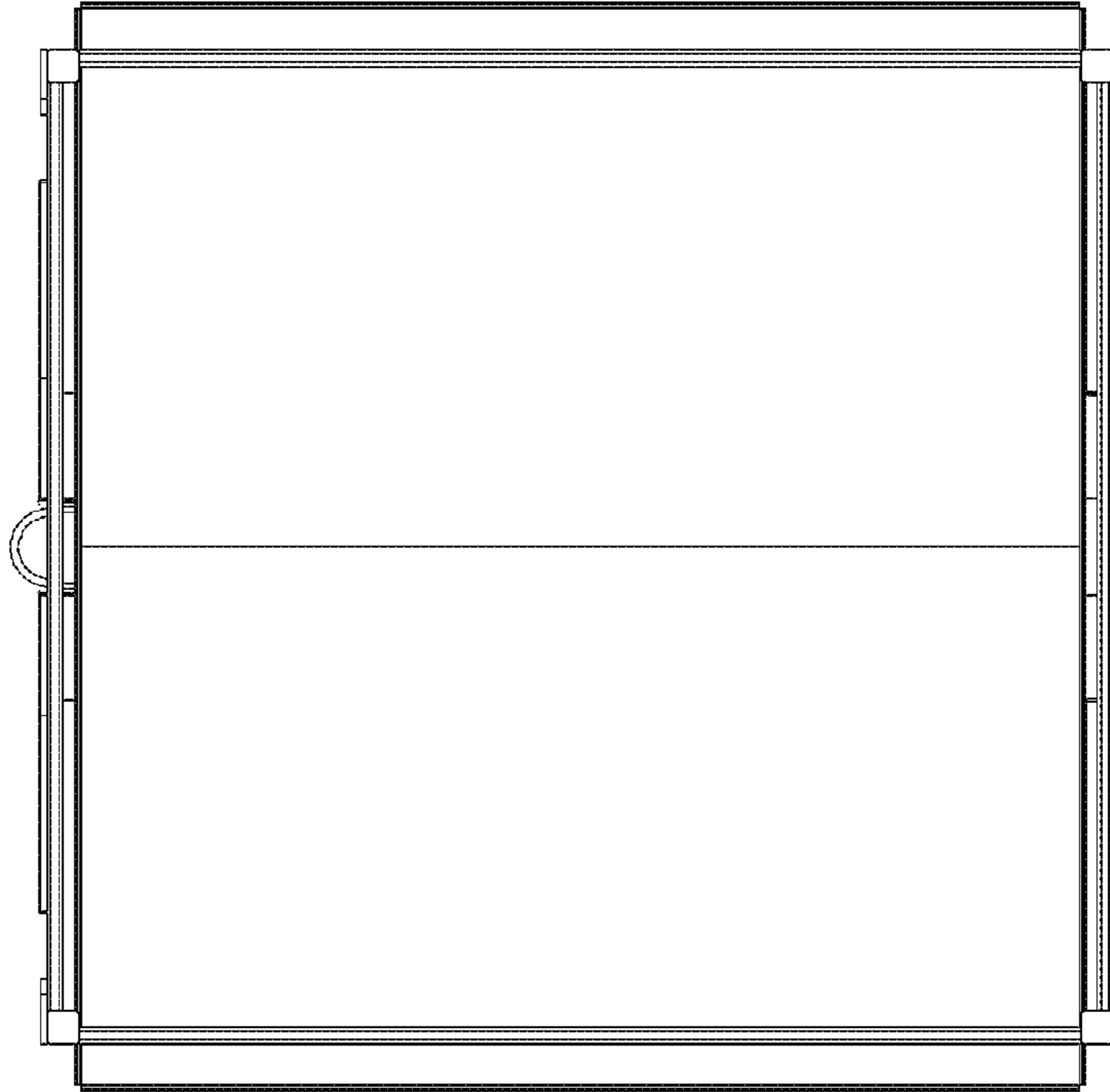


Figure 6

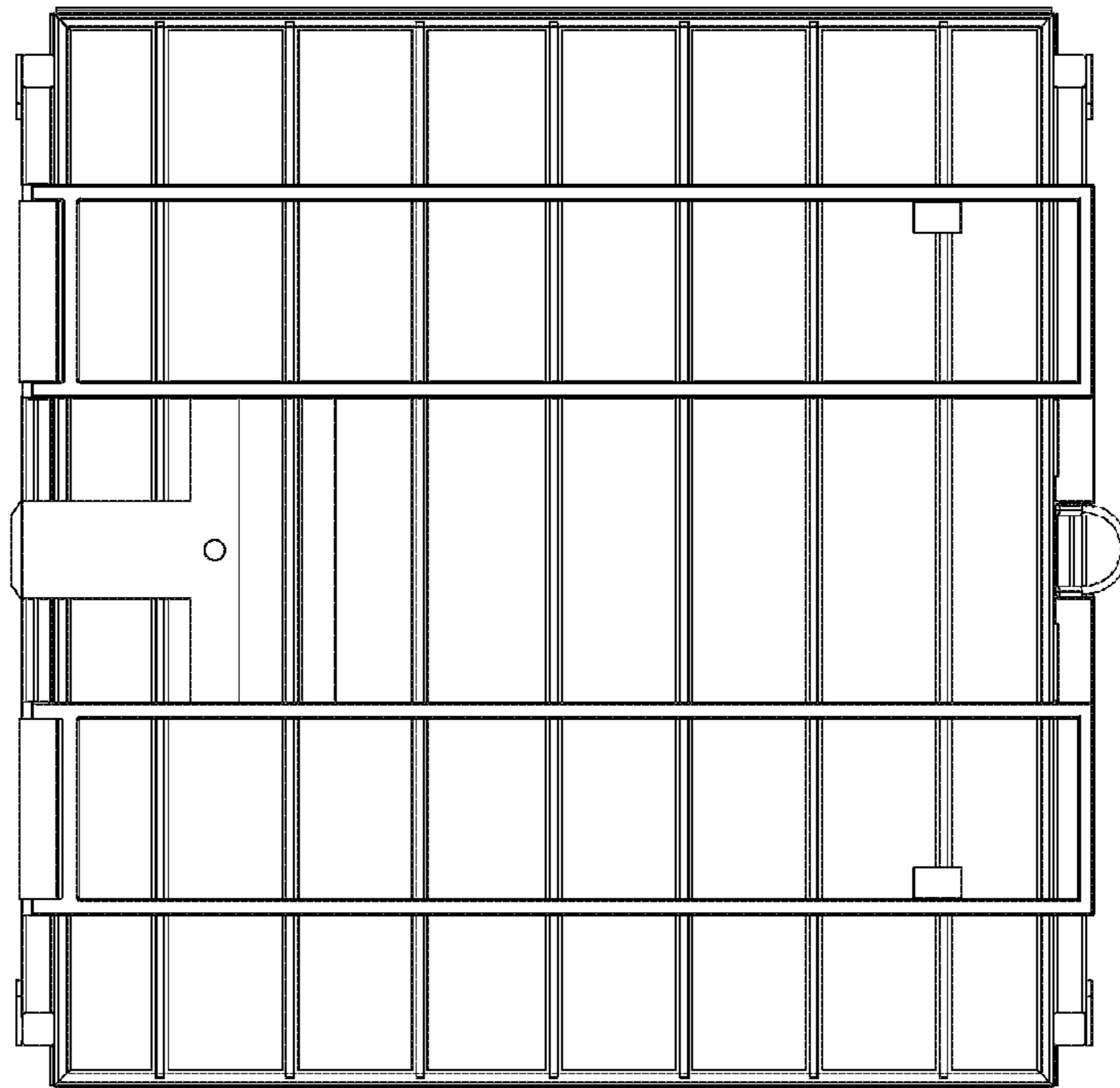


Figure 7

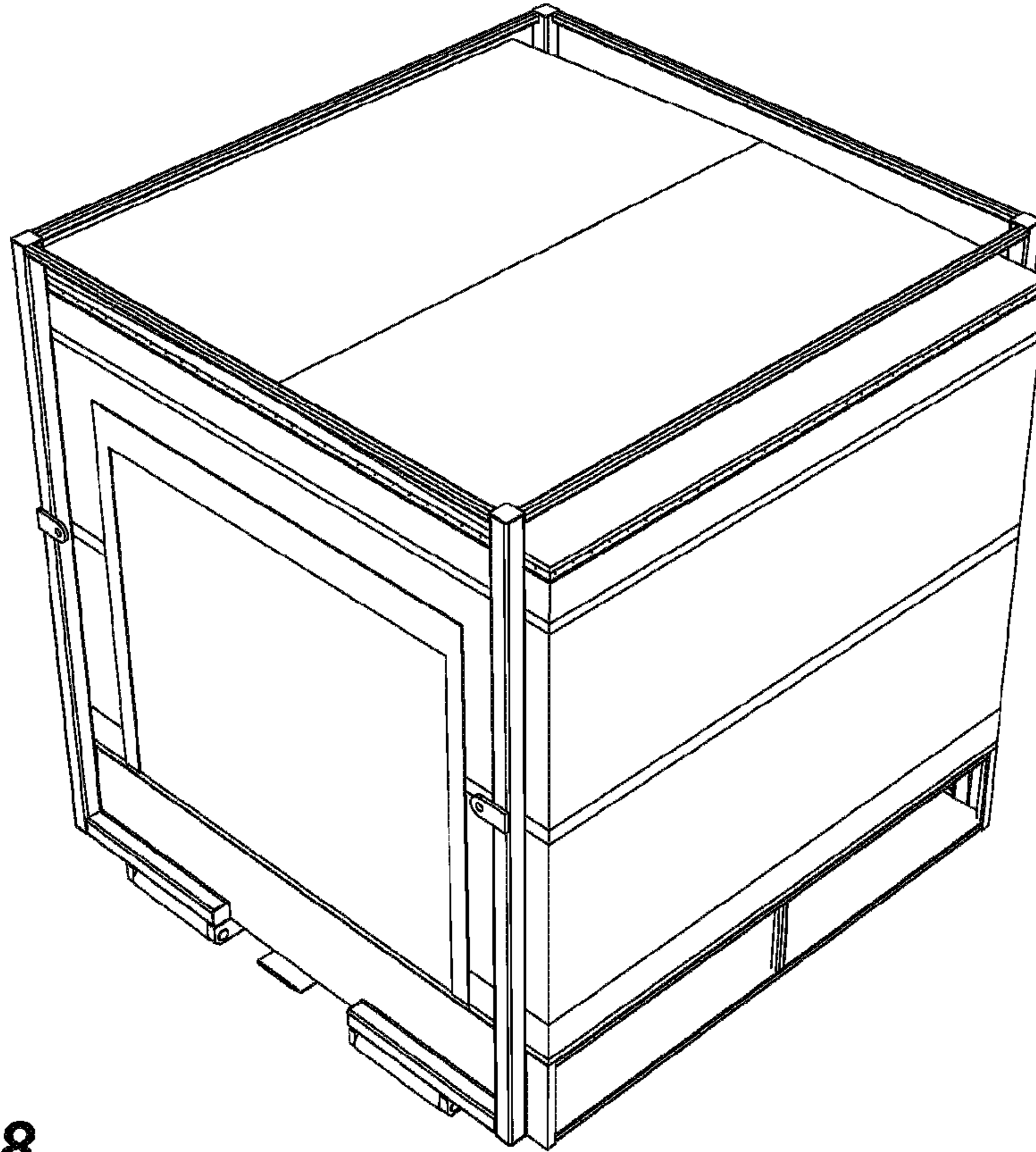


Figure 8

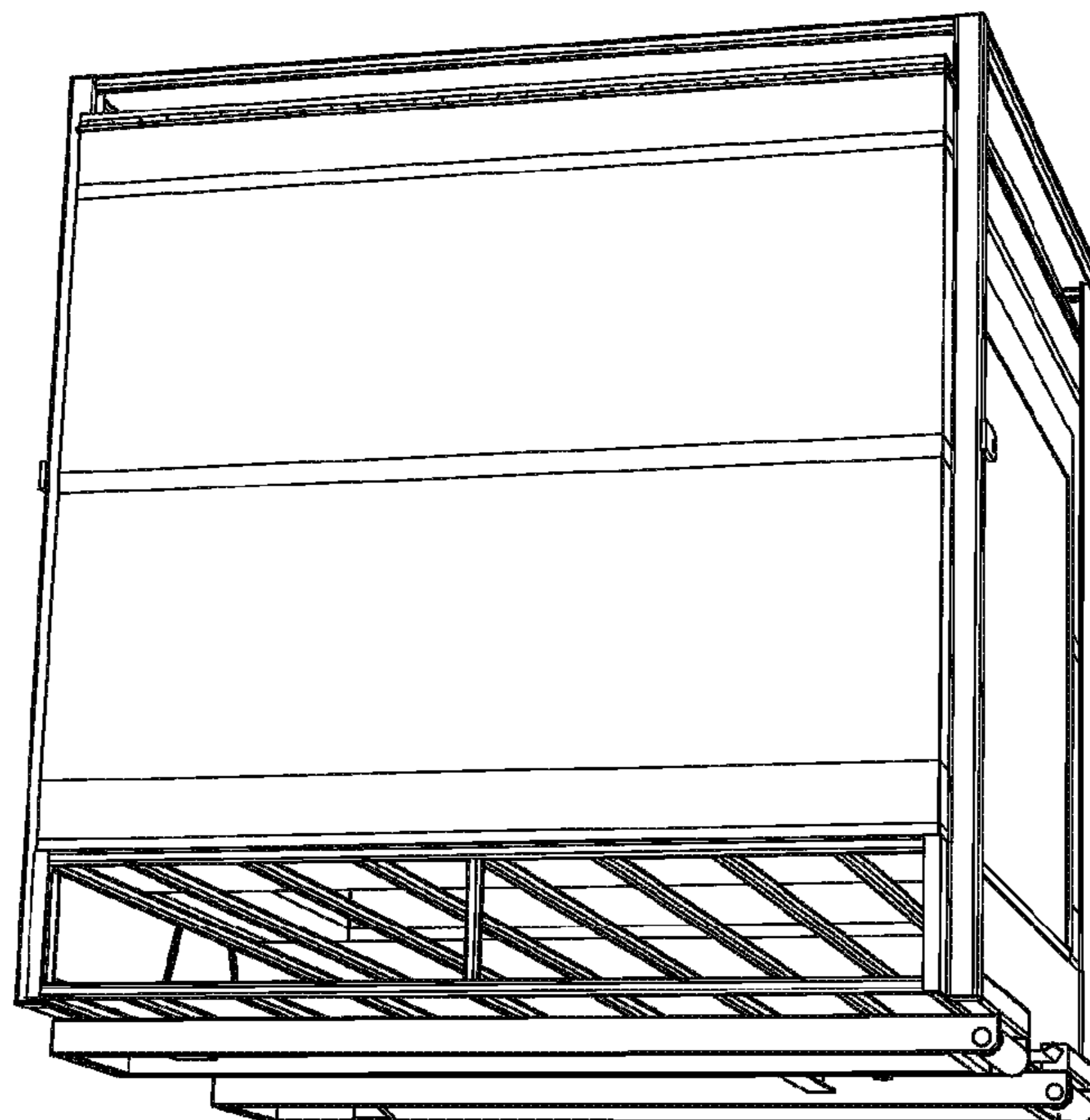


Figure 9

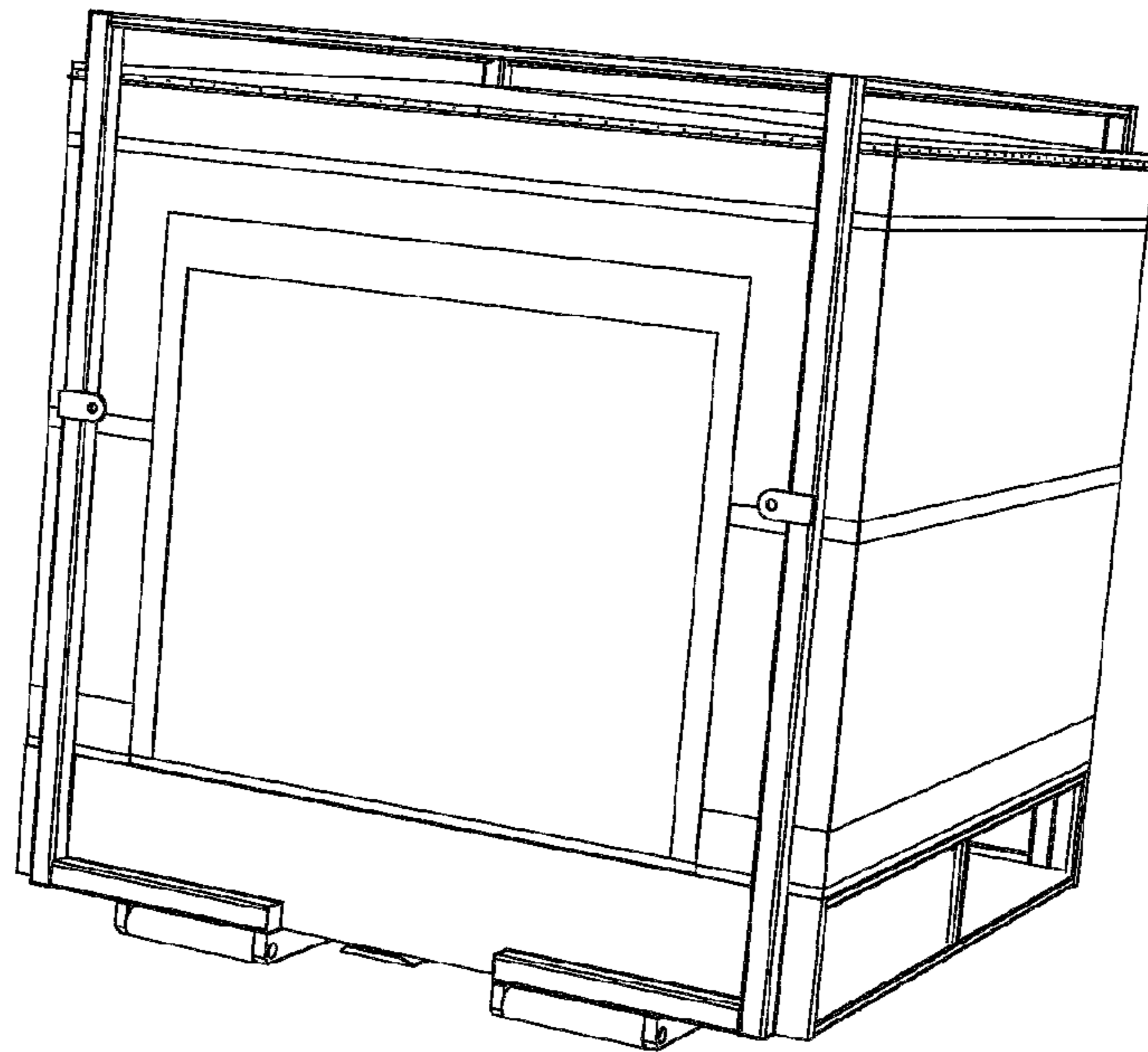


Figure 10

