



US00D771267S

(12) **United States Design Patent** (10) **Patent No.:** **US D771,267 S**  
**D'Alesio** (45) **Date of Patent:** **\*\* Nov. 8, 2016**

(54) **PACIFIER**  
(71) Applicant: **Alene D'Alesio**, Moon Township, PA (US)  
(72) Inventor: **Alene D'Alesio**, Moon Township, PA (US)

5,211,656 A 5/1993 Maddocks et al.  
D337,386 S \* 7/1993 Bierend ..... D24/194  
5,342,398 A 8/1994 Sun  
5,366,481 A 11/1994 Zade  
5,391,184 A 2/1995 Rosenthal

(Continued)

(\*\*) Term: **15 Years**  
(21) Appl. No.: **29/534,379**  
(22) Filed: **Jul. 28, 2015**

FOREIGN PATENT DOCUMENTS

EP 2361600 A1 8/2011  
WO 94/09689 A1 5/1994  
WO 96/14045 A1 5/1996

OTHER PUBLICATIONS

Trager, E.; "Bye-Bye-Binky!"; publication from CezDay Publications; Copyright 2009; 5 pages.

(Continued)

**Related U.S. Application Data**

(62) Division of application No. 29/464,117, filed on Aug. 13, 2013, now Pat. No. Des. 737,455, which is a division of application No. 29/425,043, filed on Jun. 19, 2012, now Pat. No. Des. 690,823.  
(51) **LOC (10) Cl.** ..... **24-04**  
(52) **U.S. Cl.**  
USPC ..... **D24/196**  
(58) **Field of Classification Search**  
USPC ..... 606/234, 235, 236; D24/193, 194, 195, D24/196, 117, 199, 214; D21/659, 625, D21/627; D30/160; D1/106, 125, 199; 119/707, 709  
CPC ..... A61J 17/00  
See application file for complete search history.

*Primary Examiner* — Robert M Spear  
*Assistant Examiner* — Kendra L Hamilton  
(74) *Attorney, Agent, or Firm* — Fitch, Even, Tabin & Flannery LLP

(57) **CLAIM**  
I claim the ornamental design for a pacifier, as shown and described.

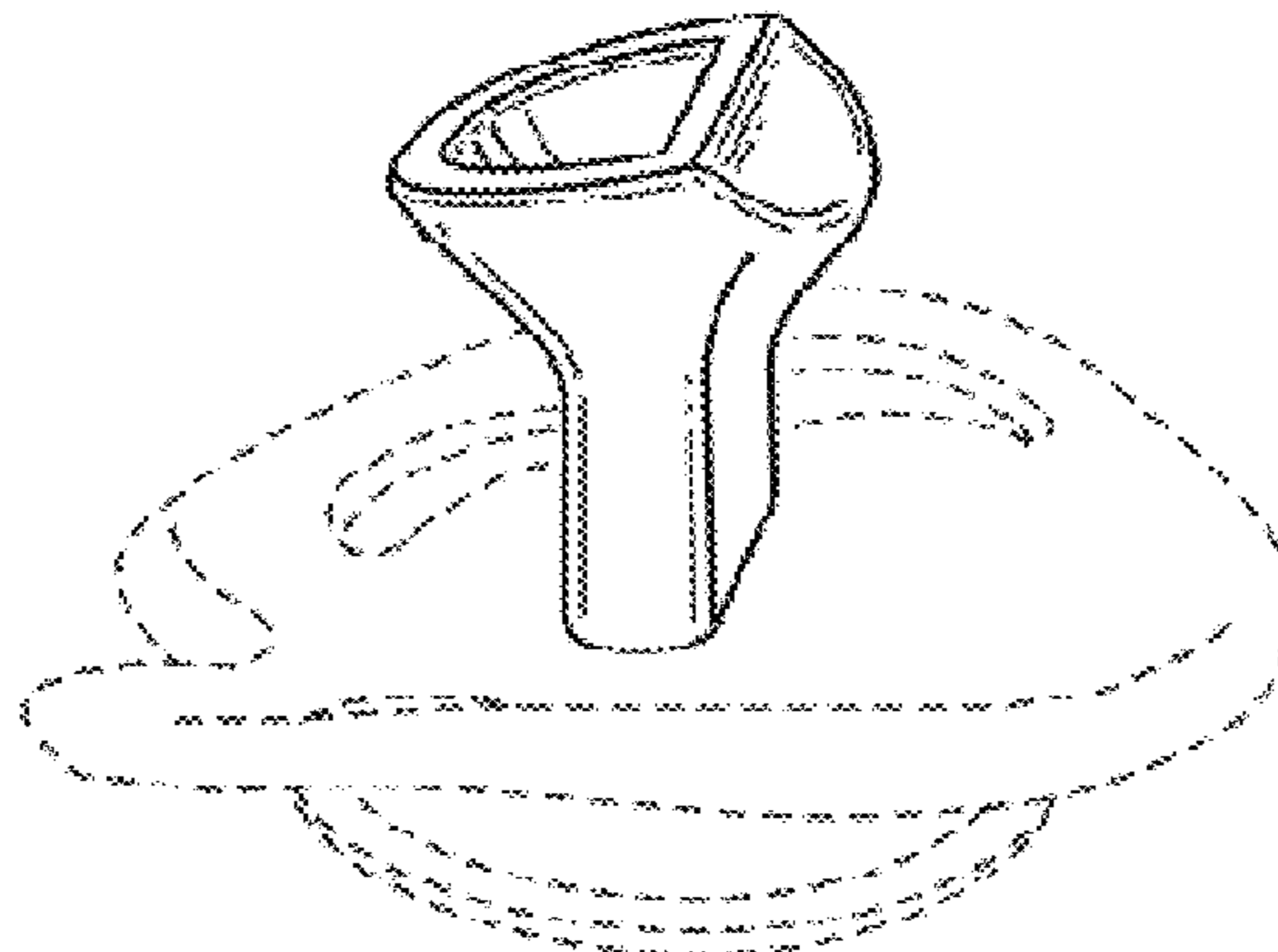
**DESCRIPTION**

FIG. 1 is a perspective view of a pacifier showing my new design;  
FIG. 2 is a top plan view of the pacifier of FIG. 1;  
FIG. 3 is a right side elevational view of the pacifier of FIG. 1, the left side elevational view being a mirror image of FIG. 3;  
FIG. 4 is a rear side elevational view of the pacifier of FIG. 1; and,  
FIG. 5 is a front side elevational view of the pacifier of FIG. 1.  
The broken lines illustrate environmental structure and form no part of the claimed design.

(56) **References Cited**  
U.S. PATENT DOCUMENTS

3,129,709 A 4/1964 Rountree  
D245,335 S 8/1977 Meeker et al.  
4,078,570 A 3/1978 Frodrich et al.  
4,381,785 A 5/1983 Robbins  
D294,297 S 2/1988 Roehrig  
4,834,099 A \* 5/1989 Schrooten ..... A61J 11/004 215/11.1  
4,878,496 A 11/1989 Chen  
D312,312 S 11/1990 Herritz  
5,004,473 A 4/1991 Kalantar

**1 Claim, 1 Drawing Sheet**



(56)

References Cited

U.S. PATENT DOCUMENTS

D356,159 S \* 3/1995 Harrison ..... D24/194  
 D362,073 S \* 9/1995 Hsieh ..... D24/194  
 5,571,140 A 11/1996 Gura-Emerling  
 5,578,058 A 11/1996 Chen  
 D378,417 S \* 3/1997 Panagakos ..... D24/194  
 D393,074 S 3/1998 Fields et al.  
 6,041,950 A 3/2000 Soehnlein  
 D443,932 S 6/2001 Wickerman  
 6,241,110 B1 6/2001 Hakim  
 6,461,374 B2 10/2002 Huang  
 6,470,200 B2 10/2002 Walker et al.  
 6,517,567 B2 2/2003 Bass, Jr. et al.  
 D501,256 S \* 1/2005 Roehrig ..... D24/194  
 7,029,491 B2 4/2006 Davis  
 D554,760 S 11/2007 Brockhaus et al.  
 D567,383 S 4/2008 Rohrig  
 D571,017 S 6/2008 Rohrig  
 D582,046 S 12/2008 Rohrig  
 D616,557 S 5/2010 Roehrig  
 8,118,773 B2 2/2012 Stewart  
 8,241,327 B1 8/2012 Moore  
 8,298,263 B2 10/2012 Parker et al.  
 D671,652 S 11/2012 Middleton  
 D671,793 S 12/2012 Hakim  
 D686,331 S 7/2013 Dussere  
 D690,823 S \* 10/2013 D'Alesio ..... D24/194  
 D699,068 S 2/2014 Dunn et al.

D708,901 S 7/2014 Dunn et al.  
 D737,455 S \* 8/2015 D'Alesio ..... D24/194  
 9,114,064 B2 \* 8/2015 Kountotsis ..... A61J 17/00  
 D753,436 S \* 4/2016 Chaitanarit ..... D7/392  
 2002/0158075 A1 10/2002 Caldicott et al.  
 2003/0181947 A1 9/2003 Struckmeier et al.  
 2004/0088006 A1 5/2004 Bass, Jr. et al.  
 2006/0069409 A1 3/2006 Morris  
 2007/0027478 A1 \* 2/2007 Tesini ..... A61J 17/00  
 606/234  
 2008/0237247 A1 \* 10/2008 Mucci ..... B65D 3/06  
 220/713  
 2009/0030455 A1 1/2009 Dallman  
 2009/0191783 A1 7/2009 Spitzer et al.  
 2009/0306712 A1 \* 12/2009 Rohrig ..... A61J 17/00  
 606/236  
 2010/0069959 A1 3/2010 Parker et al.  
 2011/0125190 A1 5/2011 Rohrig  
 2011/0130790 A1 6/2011 Hezari et al.  
 2011/0257683 A1 10/2011 Dabney

OTHER PUBLICATIONS

“Bye-Bye-Binky!”; <http://www.bye-bye-binky.com/>; web pages printed Mar. 23, 2010; 3 pages.  
 Spitzer, M.; <http://pacifierbgone.com/>; web pages printed Mar. 23, 2010; 5 pages.

\* cited by examiner

FIG. 1

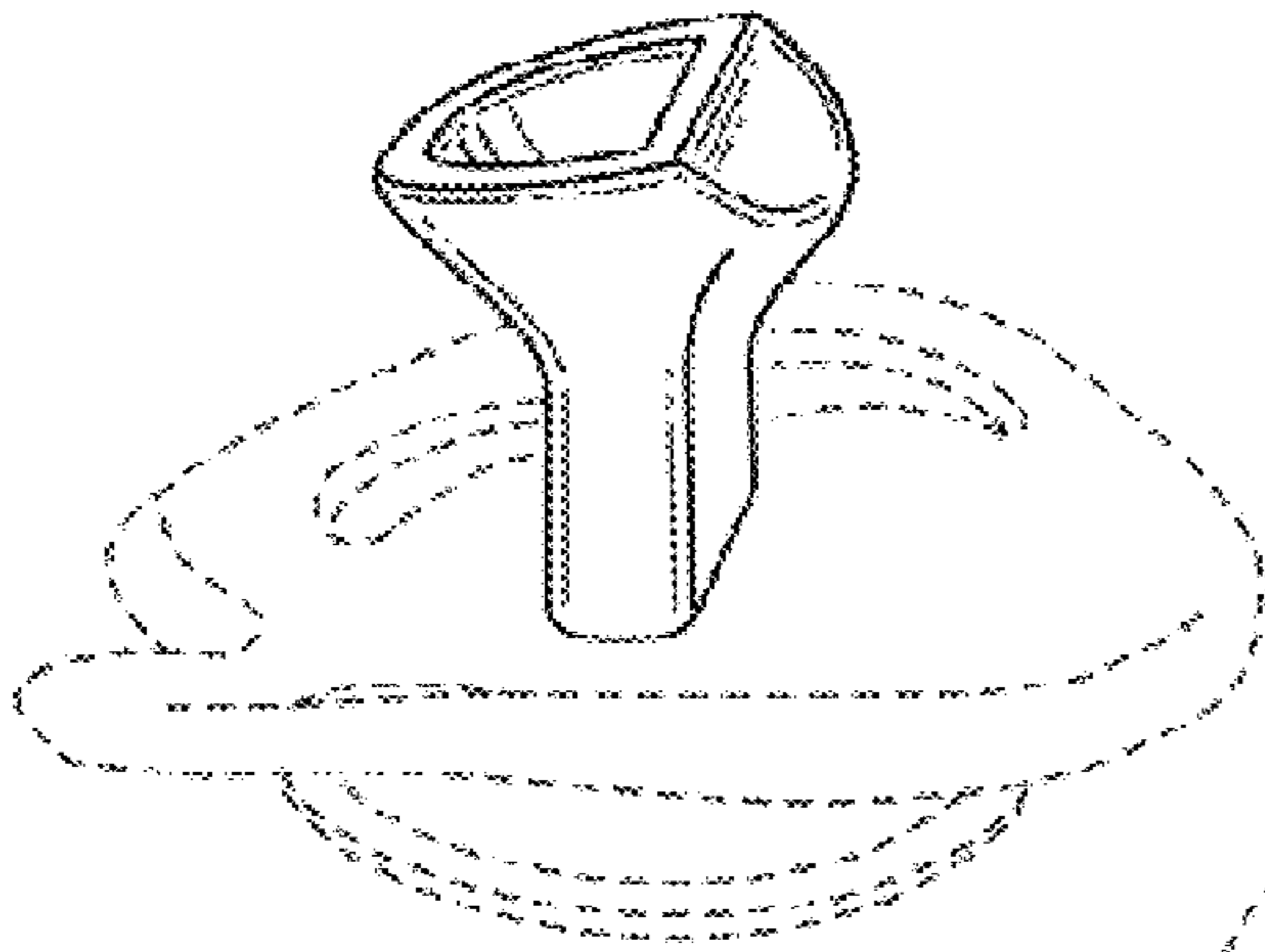


FIG. 2

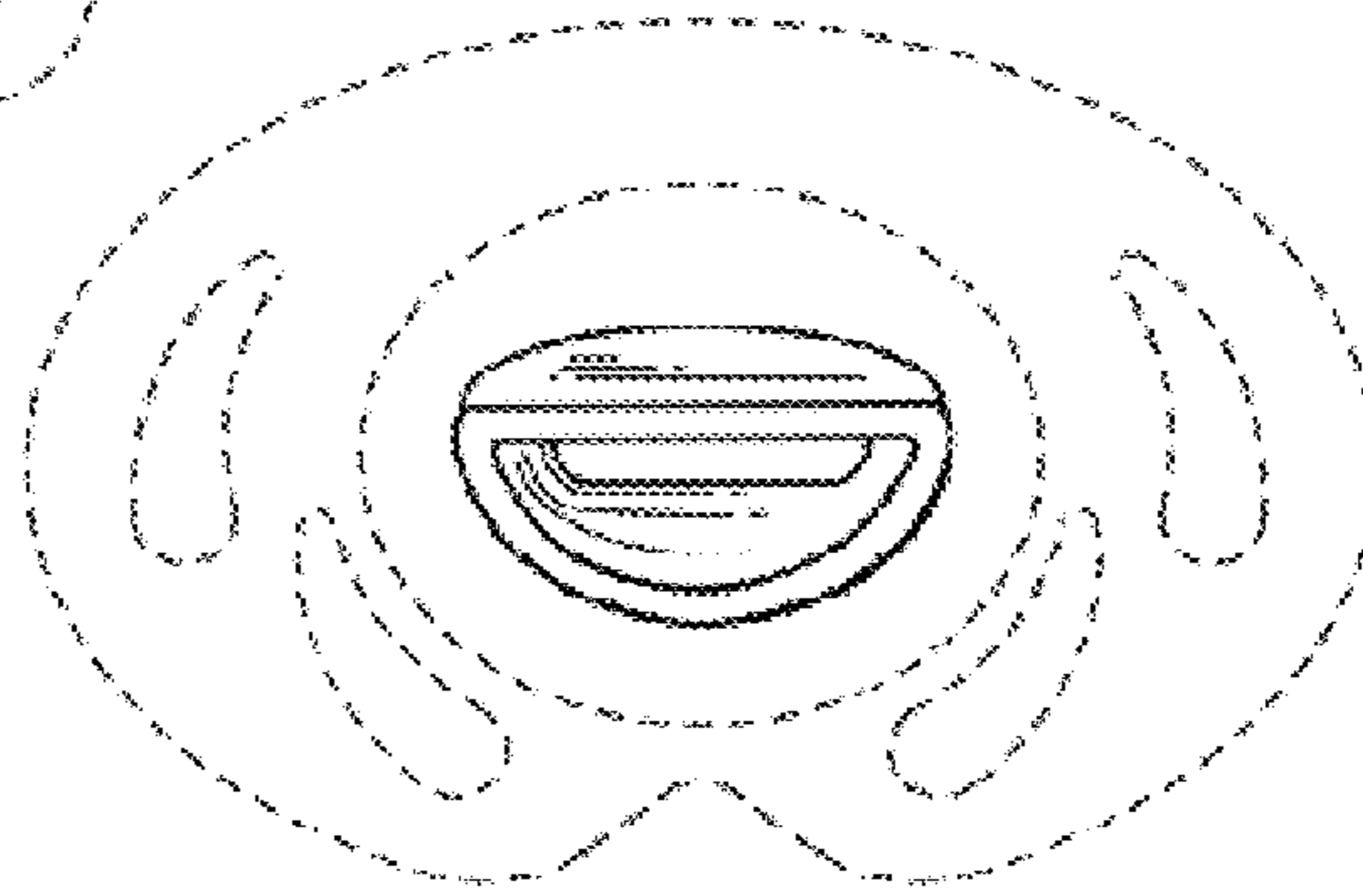


FIG. 3

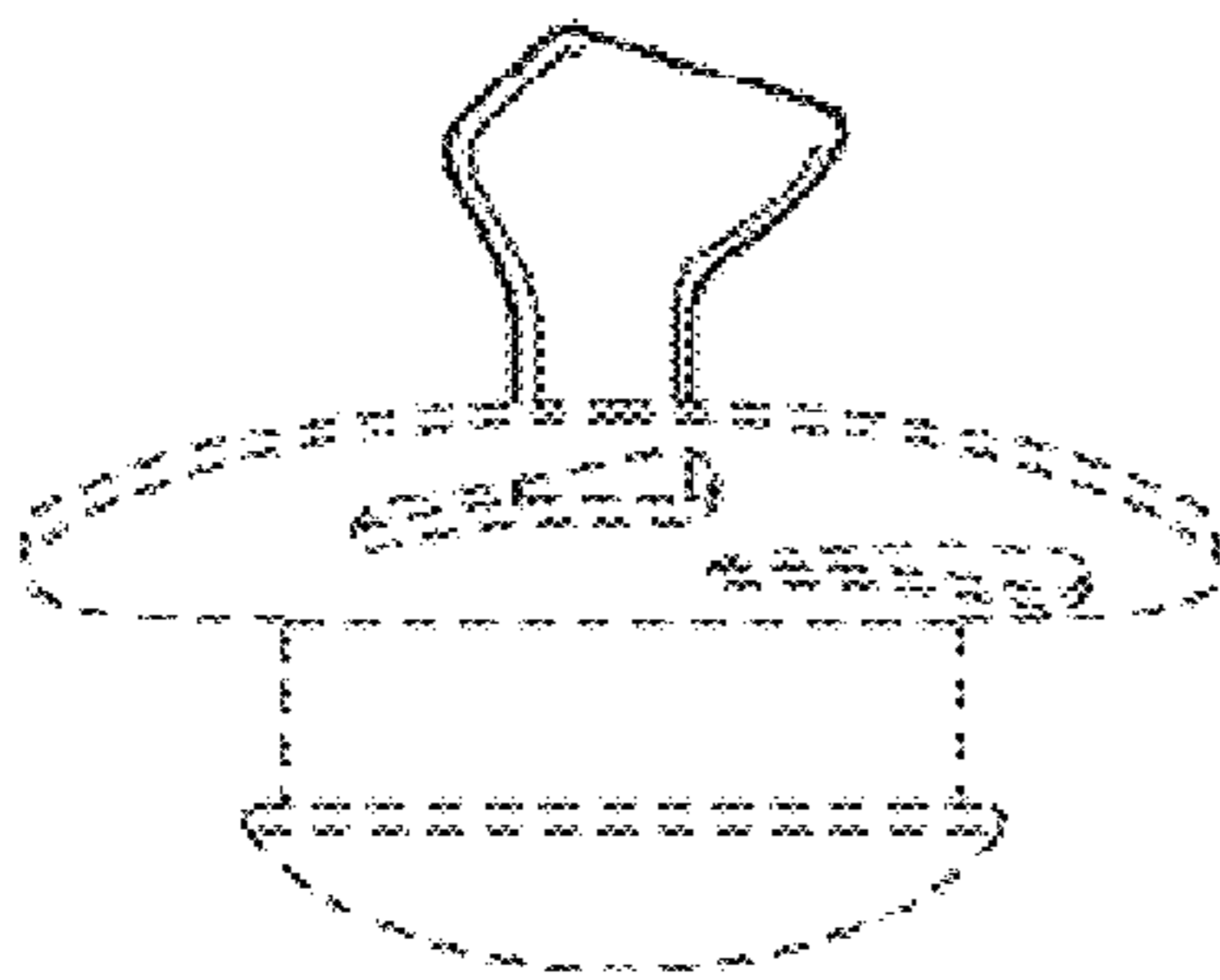


FIG. 4

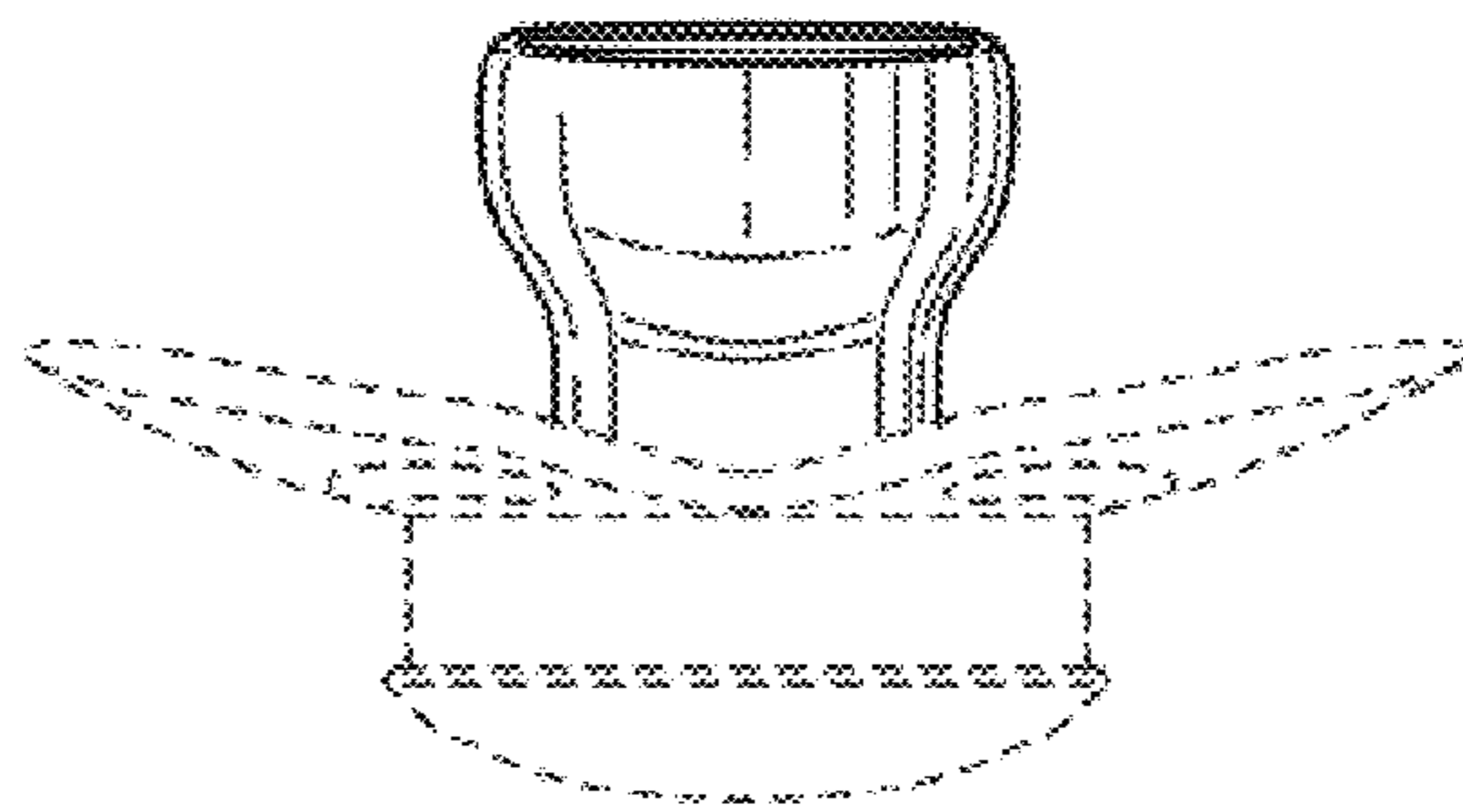


FIG. 5

